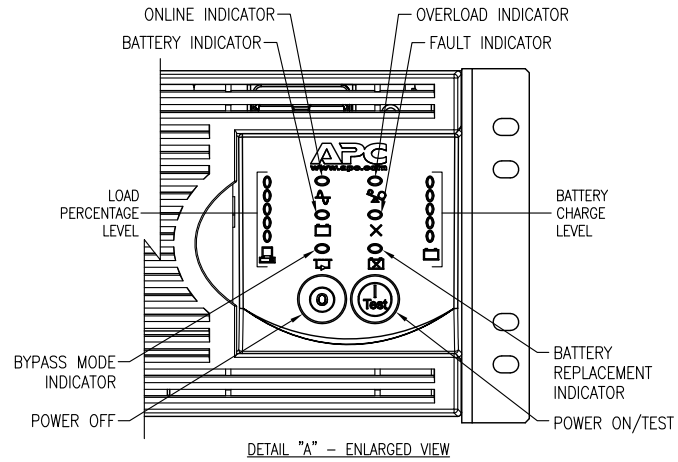
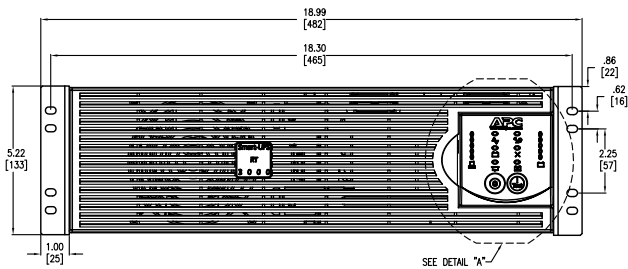


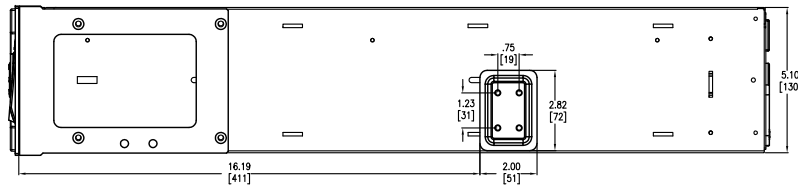
TOP VIEW



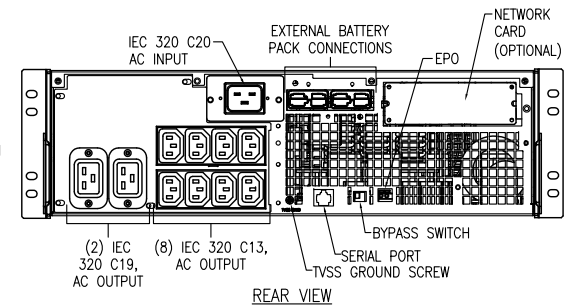
DETAIL "A" - ENLARGED VIEW



FRONT VIEW



SIDE VIEW



REAR VIEW

NOTES:

1. INSTALLATION MUST COMPLY WITH ALL APPLICABLE NATIONAL AND LOCAL CODES.
2. PLEASE REFER TO APC PRODUCT MANUAL FOR DETAILS.
3. ALL DIMENSIONS ARE IN INCHES [MILLIMETERS].
4. WEIGHT OF UNIT IS 120.00 LB [54.55 KG].
5. CABLE ENTRY FROM REAR SIDE OF UNIT.

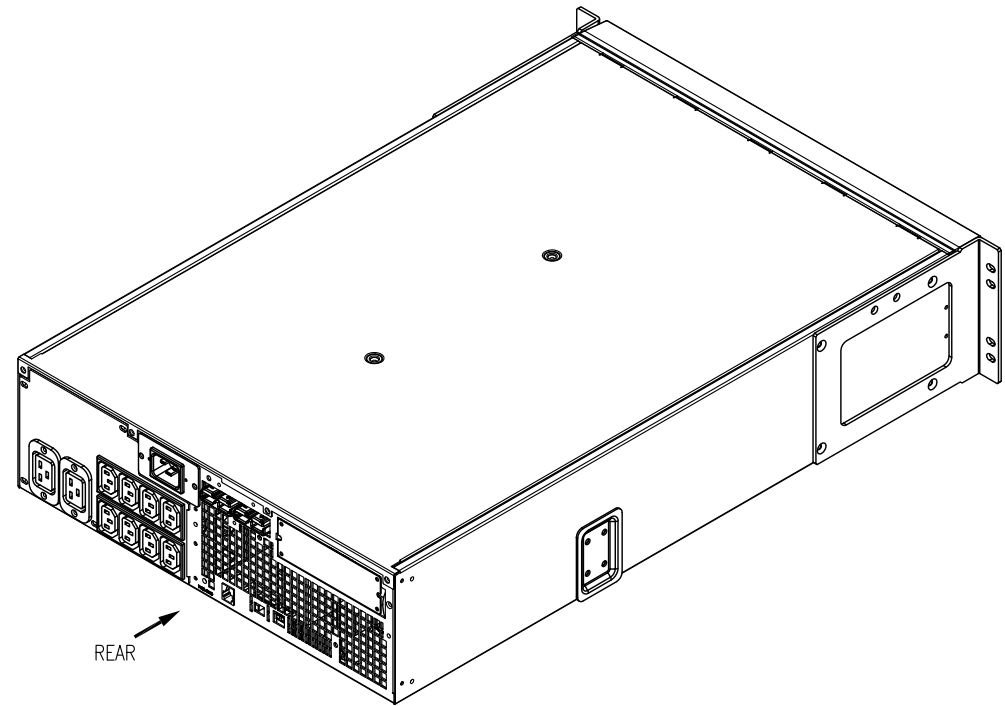
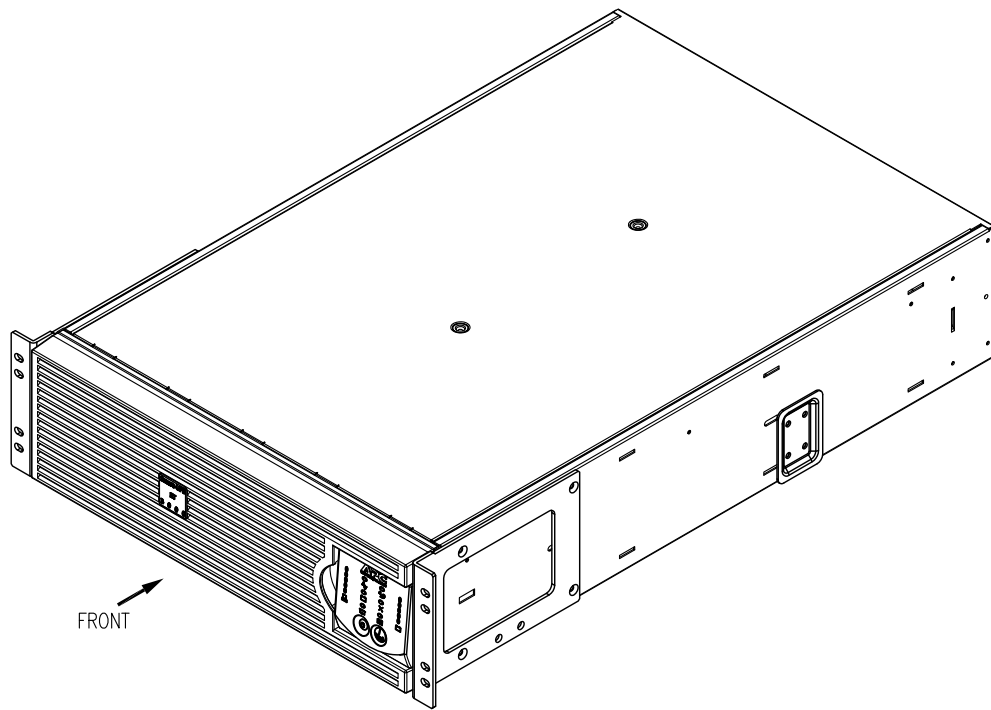
THIS DRAWING AND SPECIFICATIONS HEREIN ARE THE PROPERTY OF SCHNEIDER ELECTRIC AND SHALL NOT BE COPIED, REPRODUCED OR USED IN WHOLE OR IN PART, AS THE BASIS FOR THE MANUFACTURE OR SALE OF ITEMS WITHOUT WRITTEN PERMISSION FROM SCHNEIDER ELECTRIC. THIS DRAWING IS BASED UPON LATEST AVAILABLE INFORMATION AND IS SUBJECT TO CHANGE WITHOUT NOTICE.



TITLE: SMART-UPS RT (SURT)  
3000VA MARINE RACK-MOUNT  
INPUT: 230V; IEC 320 C20  
OUTPUT: (8) IEC 320 C13; (2) IEC 320 C19  
MAIN MECHANICAL

DWG NO:	SURTD3000XLIM	REV:	0
DRAWN BY:	S CUNHA	22-JUN-11	THIRD
ENGINEER:	B MCKENNA	22-JUN-11	ANGLE
APPROVED BY:	B MCKENNA	22-JUN-11	PROJ.

PROJECT: STD SUBMITTAL DRAWINGS SHEET 1 OF 2



**NOTES:**

1. INSTALLATION MUST COMPLY WITH ALL APPLICABLE NATIONAL AND LOCAL CODES.
2. PLEASE REFER TO APC PRODUCT MANUAL FOR DETAILS.

THIS DRAWING AND SPECIFICATIONS HEREIN ARE THE PROPERTY OF SCHNEIDER ELECTRIC AND SHALL NOT BE COPIED, REPRODUCED OR USED IN WHOLE OR IN PART, AS THE BASIS FOR THE MANUFACTURE OR SALE OF ITEMS WITHOUT WRITTEN PERMISSION FROM SCHNEIDER ELECTRIC. THIS DRAWING IS BASED UPON LATEST AVAILABLE INFORMATION AND IS SUBJECT TO CHANGE WITHOUT NOTICE.



TITLE: SMART-UPS RT (SURT)  
 3000VA MARINE RACK-MOUNT  
 INPUT: 230V; IEC 320 C20  
 OUTPUT: (8) IEC 320 C13; (2) IEC 320 C19  
 ISOMETRIC VIEWS

PROJECT: STD SUBMITTAL DRAWINGS SHEET 2 OF 2

DWG NO:	SURTD3000XLIM	REV.	0
DRAWN BY:	S CUNHA	22-JUN-11	THIRD ANGLE PROJ.
ENGINEER:	B McKENNA	22-JUN-11	
APPROVED BY:	B McKENNA	22-JUN-11	