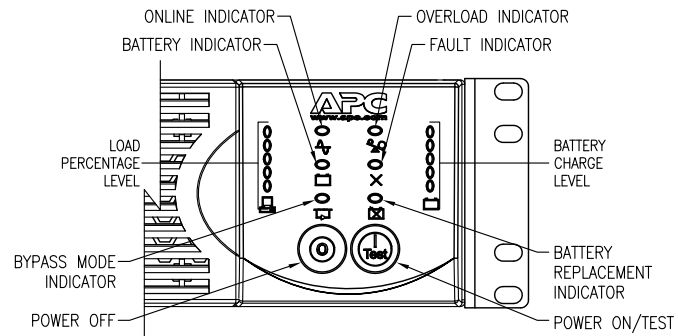
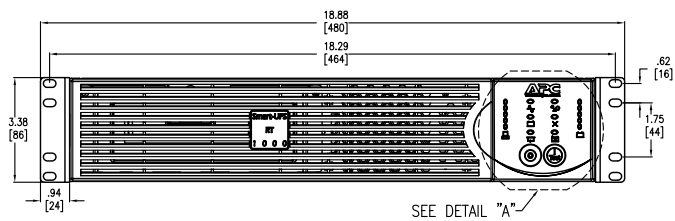


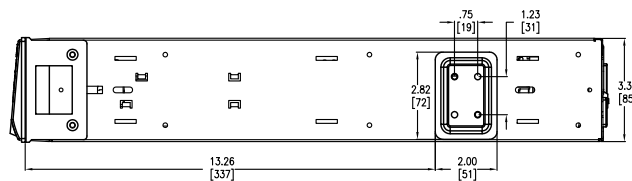
TOP VIEW



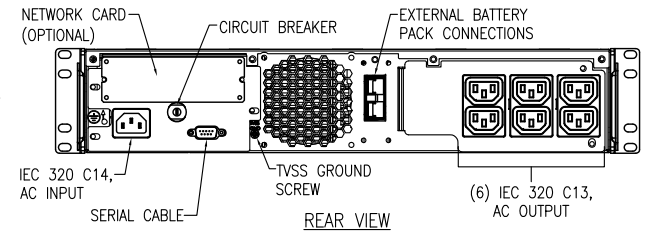
DETAIL "A" - ENLARGED VIEW



FRONT VIEW



SIDE VIEW



REAR VIEW

NOTES:

1. INSTALLATION MUST COMPLY WITH ALL APPLICABLE NATIONAL AND LOCAL CODES.
2. PLEASE REFER TO APC PRODUCT MANUAL FOR DETAILS.
3. ALL DIMENSIONS ARE IN INCHES [MILLIMETERS].
4. WEIGHT OF UNIT IS 50.60 LB [23.00 KG].
5. CABLE ENTRY FROM REAR SIDE OF UNIT.

THIS DRAWING AND SPECIFICATIONS HEREIN ARE THE PROPERTY OF SCHNEIDER ELECTRIC AND SHALL NOT BE COPIED, REPRODUCED OR USED IN WHOLE OR IN PART, AS THE BASIS FOR THE MANUFACTURE OR SALE OF ITEMS WITHOUT WRITTEN PERMISSION FROM SCHNEIDER ELECTRIC. THIS DRAWING IS BASED UPON LATEST AVAILABLE INFORMATION AND IS SUBJECT TO CHANGE WITHOUT NOTICE.

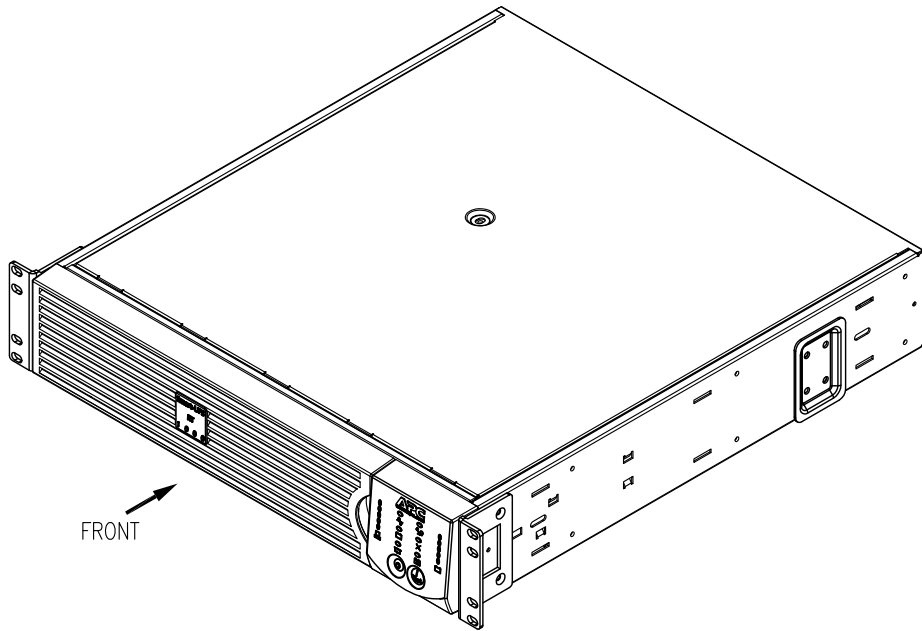


TITLE: SMART-UPS RT (SURT)
1000VA MARINE RACK-MOUNT
INPUT: 230V; IEC 320 C14
OUTPUT: (6) IEC 320 C13
MAIN MECHANICAL

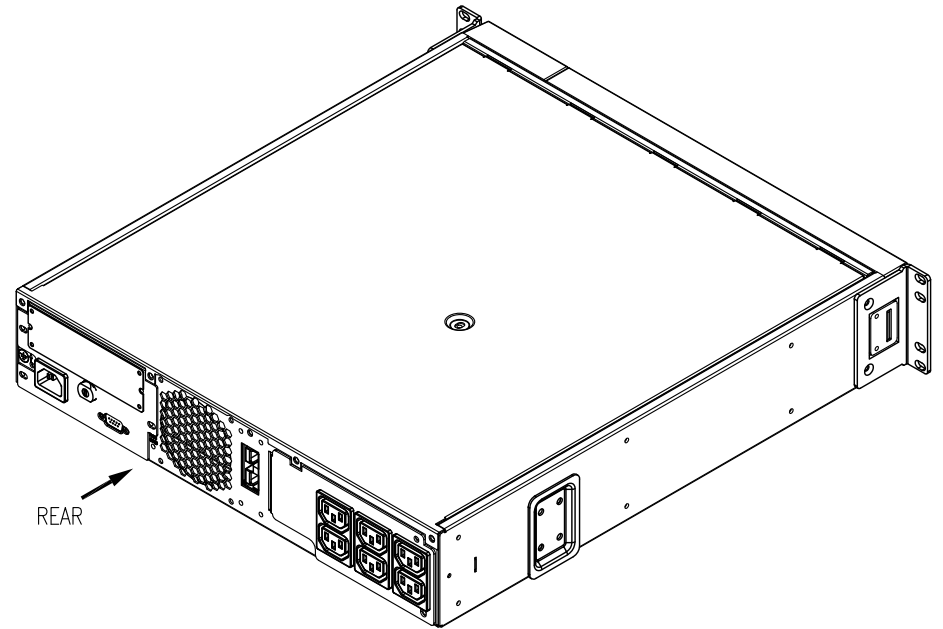
PROJECT: STD SUBMITTAL DRAWINGS SHEET 1 OF 2

DWG NO: SURT1000XLIM REV. 0

DRAWN BY:	S CUNHA	22-JUN-11	THIRD
ENGINEER:	B MCKENNA	22-JUN-11	ANGLE
APPROVED BY:	B MCKENNA	22-JUN-11	PROJ.



FRONT



REAR

NOTES:

1. INSTALLATION MUST COMPLY WITH ALL APPLICABLE NATIONAL AND LOCAL CODES.
2. PLEASE REFER TO APC PRODUCT MANUAL FOR DETAILS.

THIS DRAWING AND SPECIFICATIONS HEREIN ARE THE PROPERTY OF SCHNEIDER ELECTRIC AND SHALL NOT BE COPIED, REPRODUCED OR USED IN WHOLE OR IN PART, AS THE BASIS FOR THE MANUFACTURE OR SALE OF ITEMS WITHOUT WRITTEN PERMISSION FROM SCHNEIDER ELECTRIC. THIS DRAWING IS BASED UPON LATEST AVAILABLE INFORMATION AND IS SUBJECT TO CHANGE WITHOUT NOTICE.



TITLE: SMART-UPS RT (SURT)
 1000VA MARINE RACK-MOUNT
 INPUT: 230V; IEC 320 C14
 OUTPUT: (6) IEC 320 C13
 ISOMETRIC VIEWS

PROJECT: STD SUBMITTAL DRAWINGS SHEET 2 OF 2

DWG NO: SURT1000XLIM REV. 0

DRAWN BY: S CUNHA 22-JUN-11 THIRD

ENGINEER: B McKENNA 22-JUN-11 ANGLE

APPROVED BY: B McKENNA 22-JUN-11 PROJ.