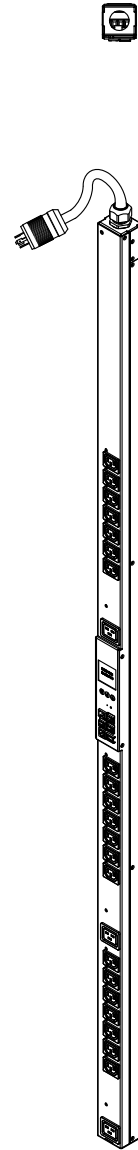
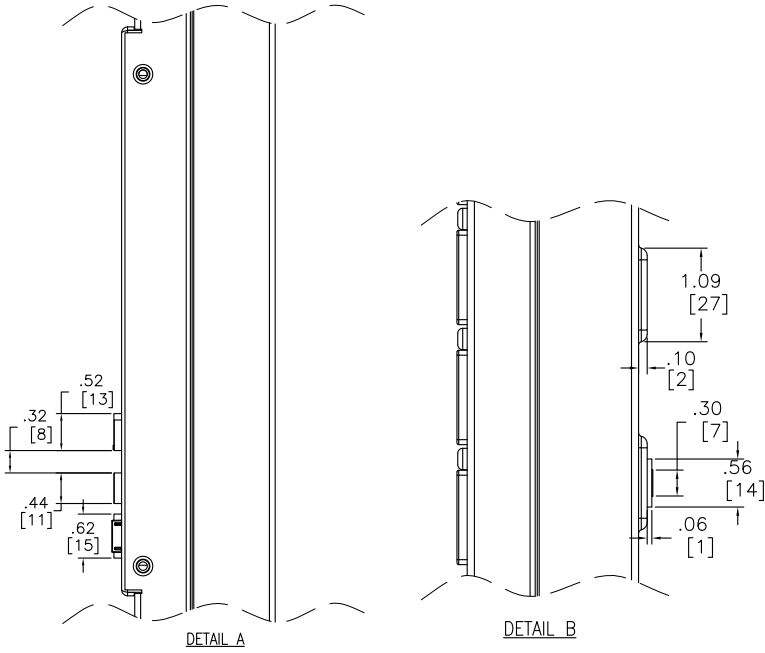
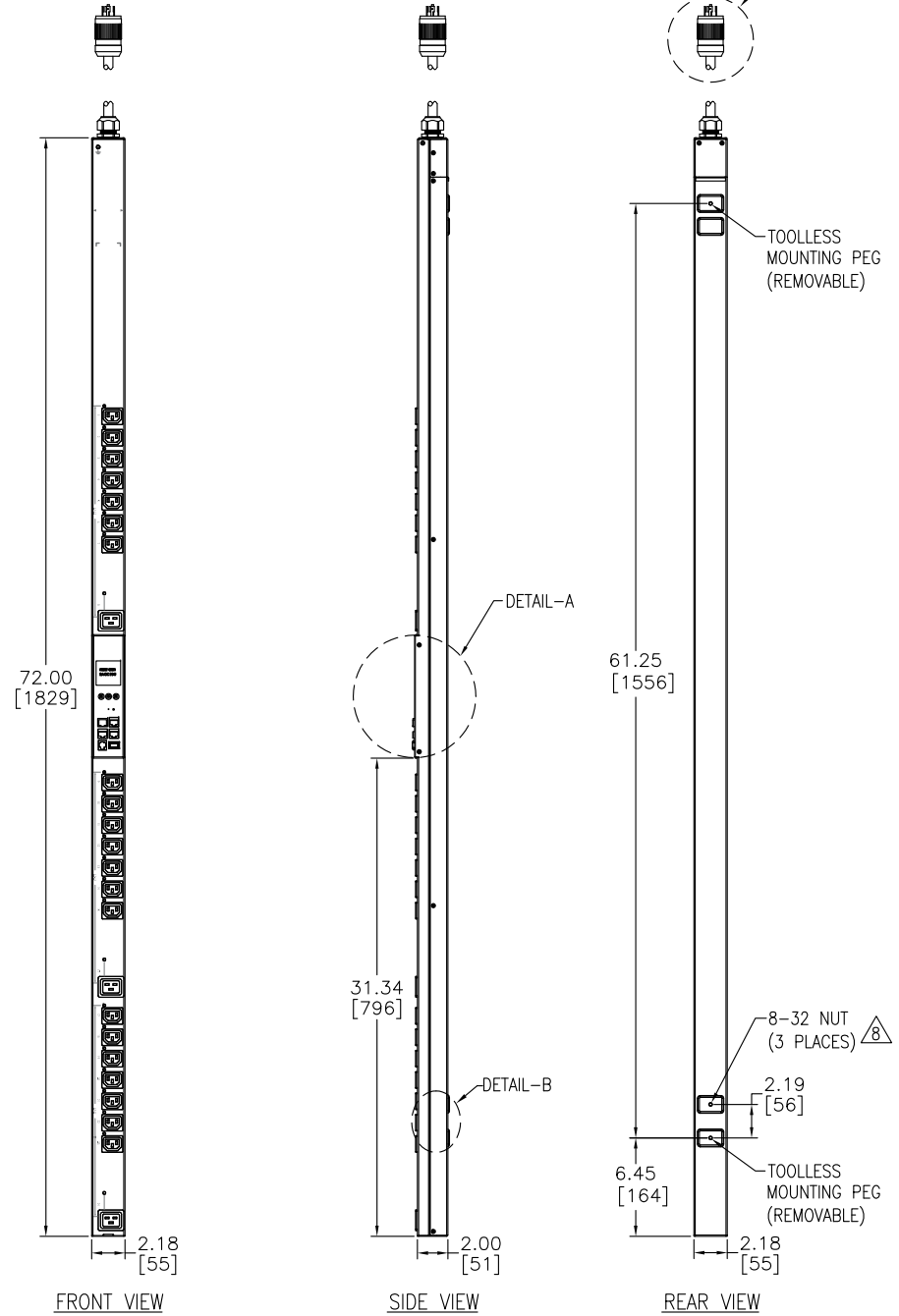


DETAIL A
(NEMA L21-20P PLUG-ENLARGED)



ISOMETRIC VIEW



NOTES:

1. INSTALLATION SHALL COMPLY WITH ALL APPLICABLE NATIONAL, STATE AND LOCAL CODES.
 2. SEE PRODUCT DOCUMENTATION FOR FURTHER INFORMATION
 3. UNLESS OTHERWISE SPECIFIED, ALL DIMENSIONS ARE IN INCHES [MILLIMETERS].
 4. NET WEIGHT OF UNIT IS 15.74LBS [7.14kg].
 5. LENGTH OF THE CORD IS 72.05IN [1830MM].
 6. UNIVERSAL MOUNTING BRACKET IS AN ALTERNATIVE MOUNTING METHOD TO THE TOOLLESS MOUNT FOR 3RD PARTY ENCLOSURES. BRACKET IS PROVIDED WITH THE UNIT. DETAILED INSTALLATION INSTRUCTIONS CAN BE FOUND IN THE PROVIDED MANUAL.
 7. BRACKET KITS TO MOUNT TO SPECIFIC 3RD PARTY ENCLOSURES ARE AVAILABLE AS OPTIONS.
- ⚠8. REFER TO WARNING LABEL ON REAR OF UNIT FOR SCREW MOUNTING.

THIS DRAWING AND SPECIFICATIONS HEREIN ARE THE PROPERTY OF SCHNEIDER ELECTRIC AND SHALL NOT BE COPIED, REPRODUCED OR USED IN WHOLE OR IN PART, AS THE BASIS FOR THE MANUFACTURE OR SALE OF ITEMS WITHOUT WRITTEN PERMISSION FROM SCHNEIDER ELECTRIC. THIS DRAWING IS BASED UPON LATEST AVAILABLE INFORMATION AND IS SUBJECT TO CHANGE WITHOUT NOTICE.



TITLE: RACK PDU 2G, SWITCHED PLUS
ZERO U, 5.7kW, 208V
INPUT: NEMA L21-20P
OUTPUT: IEC 320 C13, IEC 320 C19
MAIN MECHANICAL

PROJECT: STD SUBMITTAL DRAWINGS SHEET 1 OF 2

DWG NO: AP8661 REV. 0

DRAWN BY: S CUNHA 17-FEB-11

ENGINEER: K THOMAS 17-FEB-11

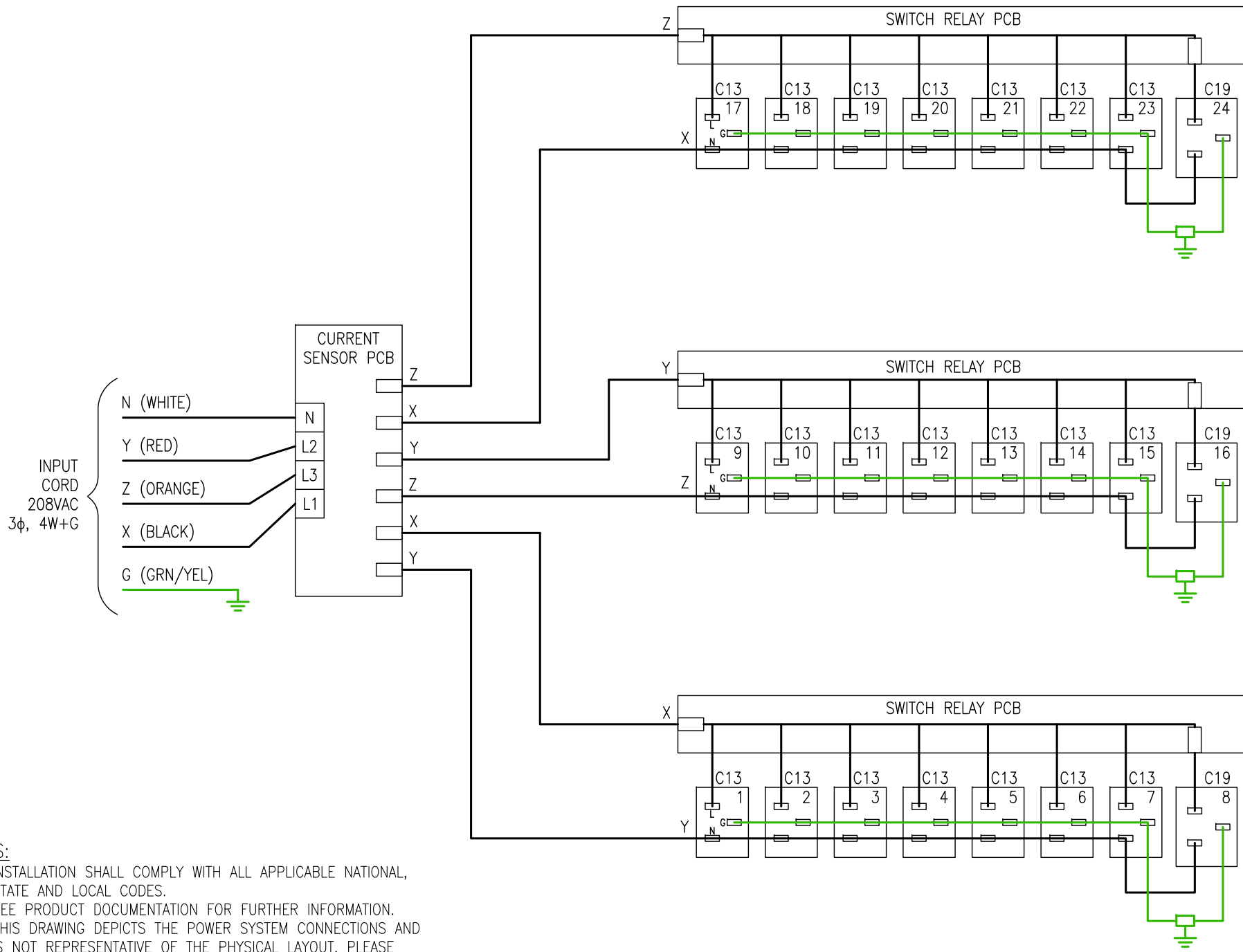
APPROVED BY: M LEPARD 17-FEB-11

REV. 0

THIRD

ANGLE

PROJ.



- NOTES:**
1. INSTALLATION SHALL COMPLY WITH ALL APPLICABLE NATIONAL, STATE AND LOCAL CODES.
 2. SEE PRODUCT DOCUMENTATION FOR FURTHER INFORMATION.
 3. THIS DRAWING DEPICTS THE POWER SYSTEM CONNECTIONS AND IS NOT REPRESENTATIVE OF THE PHYSICAL LAYOUT. PLEASE REFER TO MECHANICAL DRAWINGS FOR PHYSICAL LAYOUT.

THIS DRAWING AND SPECIFICATIONS HEREIN ARE THE PROPERTY OF SCHNEIDER ELECTRIC AND SHALL NOT BE COPIED, REPRODUCED OR USED IN WHOLE OR IN PART, AS THE BASIS FOR THE MANUFACTURE OR SALE OF ITEMS WITHOUT WRITTEN PERMISSION FROM SCHNEIDER ELECTRIC. THIS DRAWING IS BASED UPON LATEST AVAILABLE INFORMATION AND IS SUBJECT TO CHANGE WITHOUT NOTICE.



TITLE: RACK PDU 2G, SWITCHED PLUS ZERO U, 5.7kW, 208V
 INPUT: NEMA L21-20P
 OUTPUT: IEC 320 C13, EC 320 C19
 ELECTRICAL SCHEMATIC

PROJECT: STD SUBMITTAL DRAWINGS | SHEET 2 OF 2

DWG NO:	AP8661	REV:	0
DRAWN BY:	S CUNHA	17-FEB-11	PROJ. ANGLE
ENGINEER:	K THOMAS	17-FEB-11	ANGLE
APPROVED BY:	M LEPARD	17-FEB-11	N/A