

# Technical Specifications

Symmetra™ LX

230 V



## Legal Disclaimer

The information presented in this manual is not warranted by the Schneider Electric to be authoritative, error free, or complete. This publication is not meant to be a substitute for a detailed operational and site-specific development plan. Therefore, Schneider Electric assumes no liability for damages, violations of codes, improper installation, system failures, or any other problems that could arise based on the use of this Publication.

The information contained in this Publication is provided as is and has been prepared solely for the purpose of evaluating data center design and construction. This Publication has been compiled in good faith by Schneider Electric. However, no representation is made or warranty given, either express or implied, as to the completeness or accuracy of the information this Publication contains.

**IN NO EVENT SHALL SCHNEIDER ELECTRIC, OR ANY PARENT, AFFILIATE OR SUBSIDIARY COMPANY OF SCHNEIDER ELECTRIC OR THEIR RESPECTIVE OFFICERS, DIRECTORS, OR EMPLOYEES BE LIABLE FOR ANY DIRECT, INDIRECT, CONSEQUENTIAL, PUNITIVE, SPECIAL, OR INCIDENTAL DAMAGES (INCLUDING, WITHOUT LIMITATION, DAMAGES FOR LOSS OF BUSINESS, CONTRACT, REVENUE, DATA, INFORMATION, OR BUSINESS INTERRUPTION) RESULTING FROM, ARISING OUT, OR IN CONNECTION WITH THE USE OF, OR INABILITY TO USE THIS PUBLICATION OR THE CONTENT, EVEN IF SCHNEIDER ELECTRIC HAS BEEN EXPRESSLY ADVISED OF THE POSSIBILITY OF SUCH DAMAGES. SCHNEIDER ELECTRIC RESERVES THE RIGHT TO MAKE CHANGES OR UPDATES WITH RESPECT TO OR IN THE CONTENT OF THE PUBLICATION OR THE FORMAT THEREOF AT ANY TIME WITHOUT NOTICE.**

Copyright, intellectual, and all other proprietary rights in the content (including but not limited to software, audio, video, text, and photographs) rests with Schneider Electric or its licensors. All rights in the content not expressly granted herein are reserved. No rights of any kind are licensed or assigned or shall otherwise pass to persons accessing this information.

This Publication shall not be for resale in whole or in part.

# Table of Contents

<b>Technical Data</b> .....	<b>3</b>
Model List.....	3
Input Power Factor.....	3
Efficiency.....	4
Efficiency Curves.....	4
<b>Batteries and Runtime</b> .....	<b>6</b>
Battery Run-Times — APC Battery Solutions.....	6
Battery Specifications.....	13
Battery Gassing Rates.....	14
Battery Material Safety Data Sheet.....	14
<b>Compliance</b> .....	<b>15</b>
<b>Facility Planning</b> .....	<b>16</b>
Specifications for Installations.....	16
AC Input.....	16
AC Output.....	18
Configuration and Management.....	20
Powerview User Interface.....	20
Network Management Card 3.....	20
Remote Emergency Power Off (REPO).....	20
Physical.....	22
Weights and Dimensions.....	22
Shipping Weights and Dimensions.....	23
Environmental.....	24
Requirements for Operation and Storage.....	24
Heat Dissipation.....	24
Drawings.....	25
SYA4K8I: Symmetra LX 4 kVA Scalable to 8 kVA N+1 Tower, 230 V.....	26

SYA4K8RMI: Symmetra LX 4 kVA Scalable to 8 kVA N+1 Rack-Mount, 230 V .....	27
SYA8K16I: Symmetra LX 8 kVA Scalable to 16 kVA N+1 Tower, 230 V .....	28
SYA8K16IXR: Symmetra LX 8 kVA Scalable to 16 kVA N+1 Ext. Run Tower, 230 V .....	29
SYA8K16RMI: Symmetra LX 8 kVA Scalable to 16 kVA N+1 Rack-Mount, 230 V .....	30
SYA8K8I: Symmetra LX 8 kVA Scalable to 8 kVA N+1 Tower, 230 V .....	31
SYA8K8RMI: Symmetra LX 8 kVA Scalable to 8 kVA N+1 Rack-Mount, 230 V .....	32
SYA12K16I: Symmetra LX 12 kVA Scalable to 16 kVA N+1 Tower, 230 V .....	33
SYA12K16IXR: Symmetra LX 12 kVA Scalable to 16 kVA N+1 Ext. Run Tower, 230 V .....	34
SYA12K16RMI: Symmetra LX 12 kVA Scalable to 16 kVA N+1 Rack-Mount, 230 V .....	35
SYA16K16I: Symmetra LX 16 kVA Scalable to 16 kVA N+1 Tower, 230 V .....	36
SYA16K16IXR: Symmetra LX 16 kVA Scalable to 16 kVA N+1 Ext. Run Tower, 230 V .....	37
SYA16K16RMI: Symmetra LX 16 kVA Scalable to 16 kVA N+1 Rack-mount, 230 V .....	38
<b>Options .....</b>	<b>39</b>
Hardware Options .....	39
Symmetra Battery Systems .....	39
Symmetra Battery Cables .....	39
Interface Cables .....	39
UPS Network Management Cards .....	39
Additional Management Cards and Options.....	40
Rack-Mounting Hardware.....	40
Maintenance Bypass Panels .....	40
Isolation Transformers.....	40
Power Distribution Units .....	40
Backplates and Panels.....	41
Rack-mount Transfer Switches .....	41
Power Modules for N+1 Redundancy.....	41
Parts and Accessories.....	41
Power Cords and Adapters .....	41
Software Options.....	42
<b>Limited Warranty .....</b>	<b>43</b>

# Technical Data

---



**NOTE:** Unless otherwise noted, data contained in these technical specifications should be considered typical; actual performance may vary.

## Model List

- SYA4K8I: APC™ Symmetra LX 4 kVA scalable to 8 kVA N+1 Tower, 230 V
- SYA4K8RMI: APC Symmetra LX 4 kVA scalable to 8 kVA N+1 Rack-mount, 230 V
- SYA8K16I: APC Symmetra LX 8 kVA scalable to 16 kVA N+1 Tower, 230 V
- SYA8K16IXR: APC Symmetra LX 8 kVA scalable to 16 kVA N+1 Ext. Run Tower, 230 V
- SYA8K16RMI: APC Symmetra LX 8 kVA scalable to 16 kVA N+1 Rack-mount, 230 V
- SYA8K8I: APC Symmetra LX 8 kVA scalable to 8 kVA N+1 Tower, 230 V
- SYA8K8RMI: APC Symmetra LX 8 kVA scalable to 8 kVA N+1 Rack-mount, 230 V
- SYA12K16I: APC Symmetra LX 12 kVA scalable to 16 kVA N+1 Tower, 230 V
- SYA12K16IXR: APC Symmetra LX 12 kVA scalable to 16 kVA N+1 Ext. Run Tower, 230 V
- SYA12K16RMI: APC Symmetra LX 12 kVA scalable to 16 kVA N+1 Rack-mount, 230 V
- SYA16K16I: APC Symmetra LX 16 kVA scalable to 16 kVA N+1 Tower, 230 V
- SYA16K16IXR: APC Symmetra LX 16 kVA scalable to 16 kVA N+1 Ext. Run Tower, 230 V
- SYA16K16RMI: APC Symmetra LX 16 kVA scalable to 16 kVA N+1 Rack-mount, 230 V

## Input Power Factor

Following is the input power factor for Symmetra LX models at full load:

- 0.98 @ 1:1 (with the UPS configured for single-phase AC input and output)
- 0.90 @ 3:1 (with the UPS configured for 3-phase input and single-phase output)

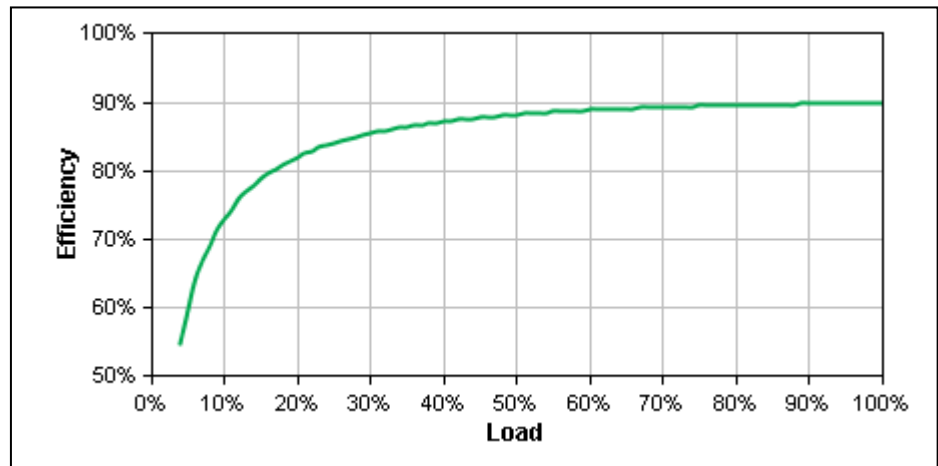
# Efficiency

## Efficiency Curves

These Symmetra LX models have the efficiency rating shown in the following table and graph:

- SYA4K8I: APC Symmetra LX 4 kVA scalable to 8 kVA N+1 Tower, 230 V
- SYA4K8RMI: APC Symmetra LX 4 kVA scalable to 8 kVA N+1 Rack-mount, 230 V
- SYA8K16I: APC Symmetra LX 8 kVA scalable to 16 kVA N+1 Tower, 230 V
- SYA8K16IXR: APC Symmetra LX 8 kVA scalable to 16 kVA N+1 Ext. Run Tower, 230 V
- SYA8K16RMI: APC Symmetra LX 8 kVA scalable to 16 kVA N+1 Rack-mount, 230 V
- SYA8K8I: APC Symmetra LX 8 kVA scalable to 8 kVA N+1 Tower, 230 V
- SYA8K8RMI: APC Symmetra LX 8 kVA scalable to 8 kVA N+1 Rack-mount, 230 V

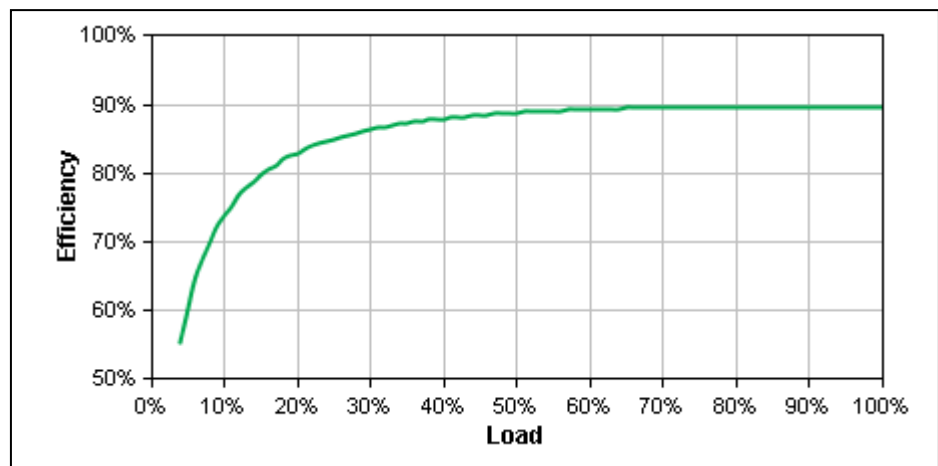
Load	Efficiency
25%	84.1%
50%	88.3%
75%	89.5%
100%	89.9%



These Symmetra LX models have the efficiency rating shown in the following table and graph:

- SYA12K16I: APC Symmetra LX 12 kVA scalable to 16 kVA N+1 Tower, 230 V
- SYA12K16IXR: APC Symmetra LX 12 kVA scalable to 16 kVA N+1 Ext. Run Tower, 230 V
- SYA12K16RMI: APC Symmetra LX 12 kVA scalable to 16 kVA N+1 Rack-mount, 230 V

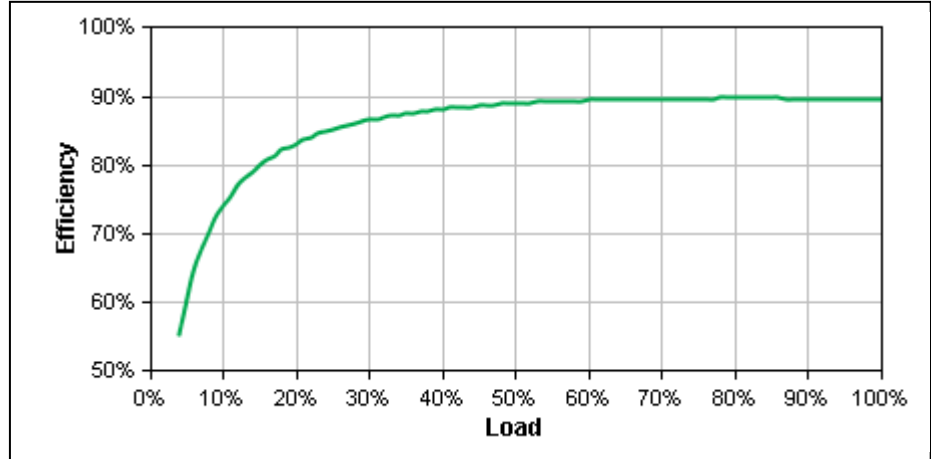
Load	Efficiency
25%	85.0%
50%	88.9%
75%	89.7%
100%	89.7%



These Symmetra LX models have the efficiency rating shown in the following table and graph:

- SYA16K16I: APC Symmetra LX 16 kVA scalable to 16 kVA N+1 Tower, 230 V
- SYA16K16IXR: APC Symmetra LX 16 kVA scalable to 16 kVA N+1 Ext. Run Tower, 230 V
- SYA16K16RMI: APC Symmetra LX 16 kVA scalable to 16 kVA N+1 Rack-mount, 230 V

Load	Efficiency
25%	85.3%
50%	89.0%
75%	89.8%
100%	89.7%

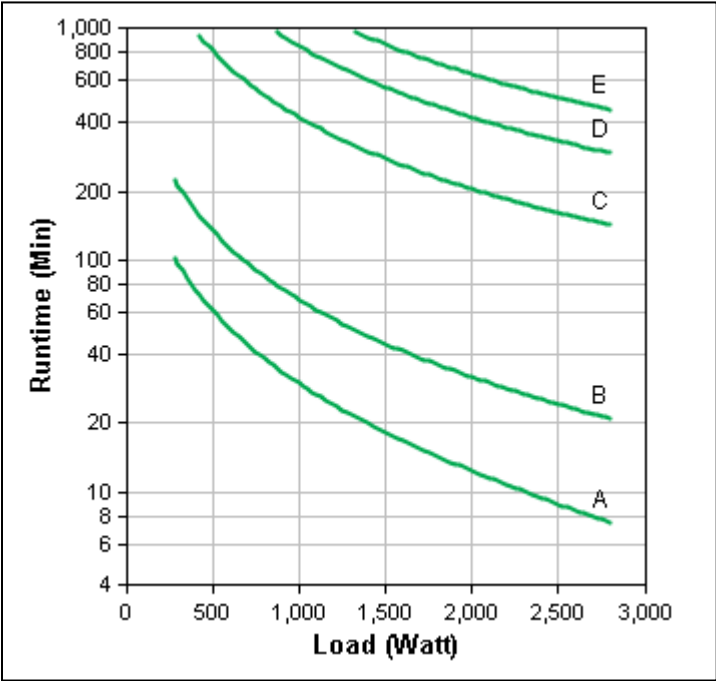


# Batteries and Runtime

## Battery Run-Times — APC Battery Solutions

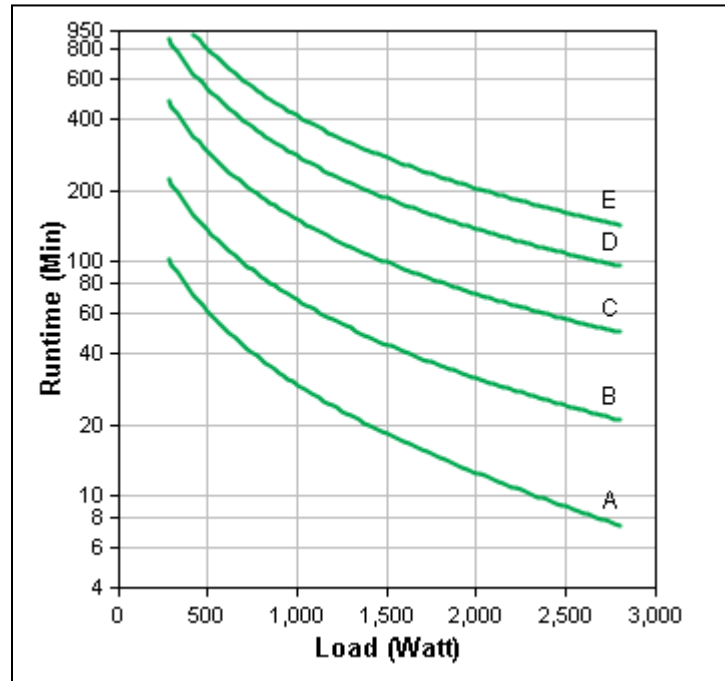
SYA4K8I: APC Symmetra LX 4 kVA scalable to 8 kVA N+1 Tower, 230 V Battery Run-Times (minutes):

Curve	Part number(s)
A	SYA4K8I
B	SYA4K8I + (1)SYBT5
C	SYA4K8I + (1)SYAXR9B9I
D	SYA4K8I + (2)SYAXR9B9I
E	SYA4K8I + (3)SYAXR9B9I



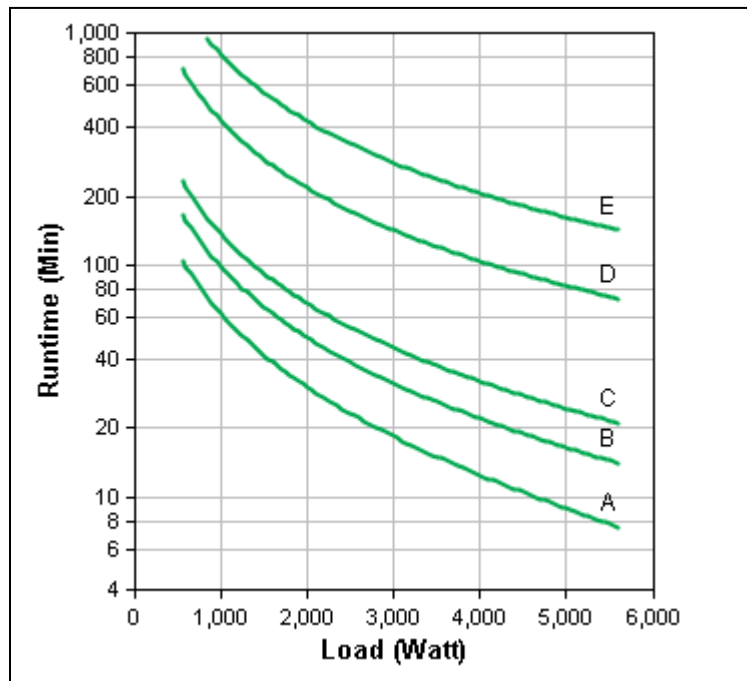
SYA4K8RMI: APC Symmetra LX 4 kVA scalable to 8 kVA N+1 Rack-mount, 230 V Battery Run-Times (minutes):

Curve	Part number(s)
A	SYA4K8RMI
B	SYA4K8RMI + (1)SYBT5
C	SYA4K8RMI +(1)SYARMXR3B3I
D	SYA4K8RMI +(2)SYARMXR3B3I
E	SYA4K8RMI +(1)SYARMXR9B9I



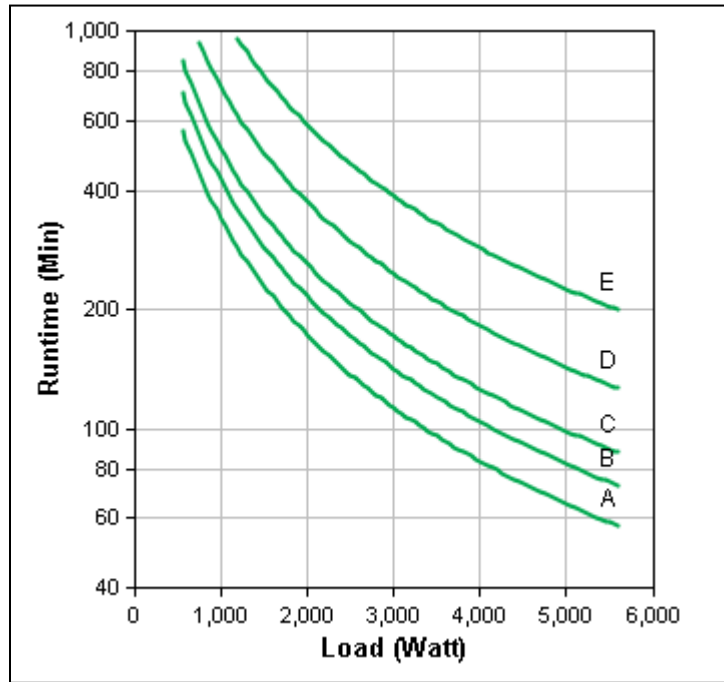
SYA8K16I: APC Symmetra LX 8 kVA scalable to 16 kVA N+1 Tower, 230 V Battery Run-Times (minutes):

Curve	Part number(s)
A	SYA8K16I
B	SYA8K16I + (1)SYBT5
C	SYA8K16I + (2)SYBT5
D	SYA8K16I + (1)SYAXR9B9I
E	SYA8K16I + (2)SYAXR9B9I



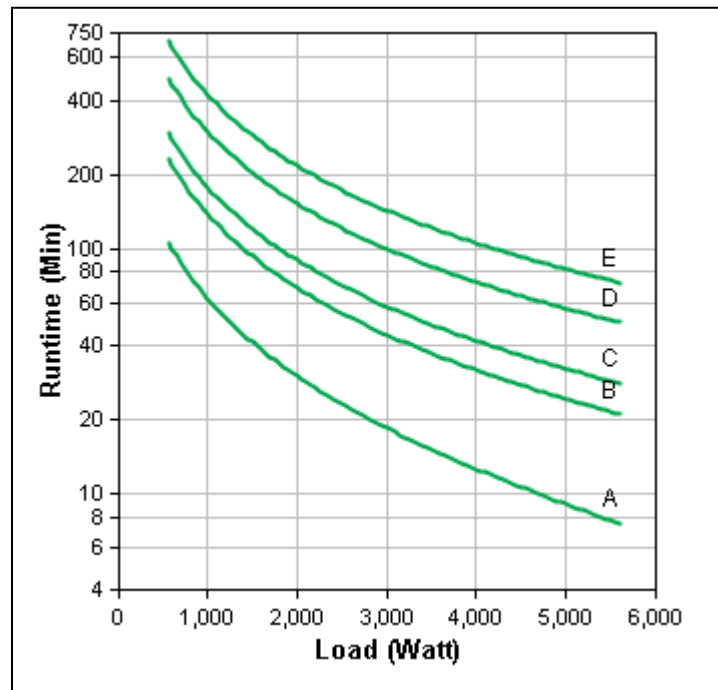
SYA8K16IXR: APC Symmetra LX 8 kVA scalable to 16 kVA N+1 Ext. Run Tower, 230 V Battery Run-Times (minutes):

Curve	Part number(s)
A	SYA8K16IXR
B	SYA8K16IXR + (2)SYBT5
C	SYA8K16IXR + (4)SYBT5
D	SYA8K16IXR + (1)SYAXR9B9I
E	SYA8K16IXR + (2)SYAXR9B9I



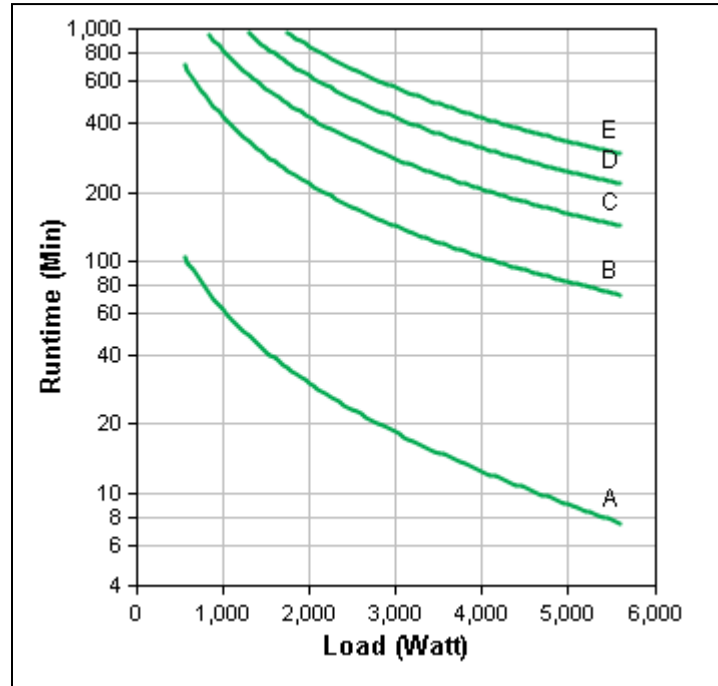
SYA8K16RMI: APC Symmetra LX 8 kVA scalable to 16 kVA N+1 Rack-mount, 230 V Battery Run-Times (minutes):

Curve	Part number(s)
A	SYA8K16RMI
B	SYA8K16RMI + (2)SYBT5
C	SYA8K16RMI + (1)SYARMXR3B3I
D	SYA8K16RMI + (2)SYARMXR3B3I
E	SYA8K16RMI + (1)SYARMXR9B9I



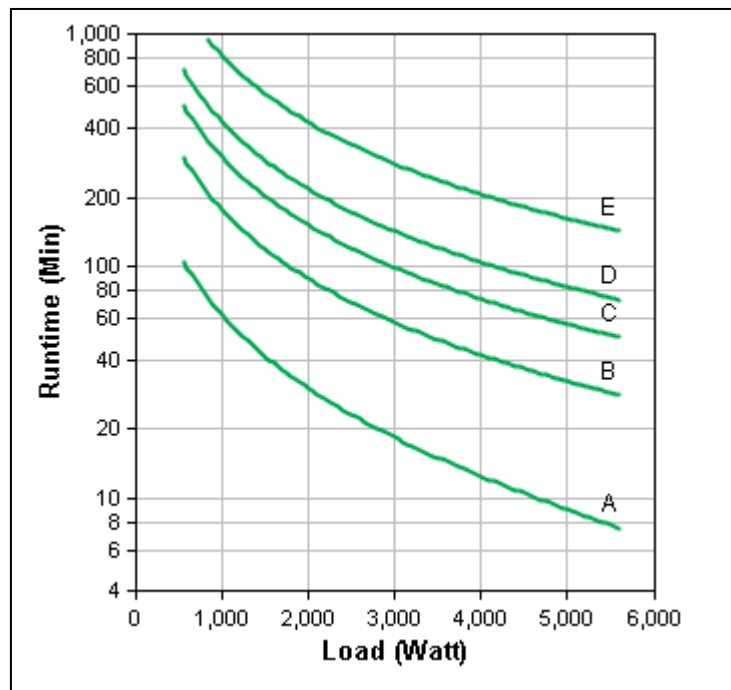
SYA8K8I: APC Symmetra LX 8 kVA scalable to 8 kVA N+1 Tower, 230 V Battery Run-Times (minutes):

Curve	Part number(s)
A	SYA8K8I
B	SYA8K8I + (1)SYAXR9B9I
C	SYA8K8I + (2)SYAXR9B9I
D	SYA8K8I + (3)SYAXR9B9I
E	SYA8K8I + (4)SYAXR9B9I



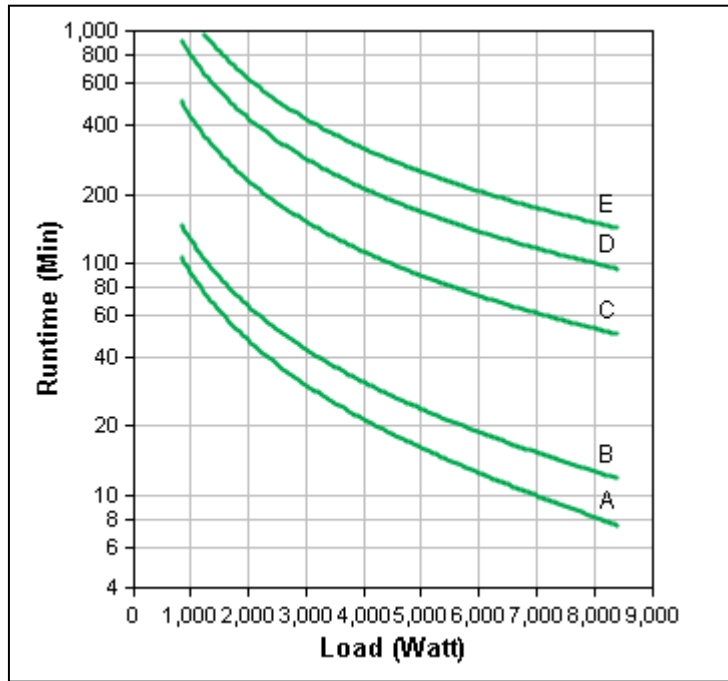
SYA8K8RMI: APC Symmetra LX 8 kVA scalable to 8 kVA N+1 Rack-mount, 230 V Battery Run-Times (minutes):

Curve	Part number(s)
A	SYA8K8RMI
B	SYA8K8RMI + (1)SYARMXR3B3I
C	SYA8K8RMI + (2)SYARMXR3B3I
D	SYA8K8RMI + (1)SYARMXR9B9I
E	SYA8K8RMI + (2)SYARMXR9BI



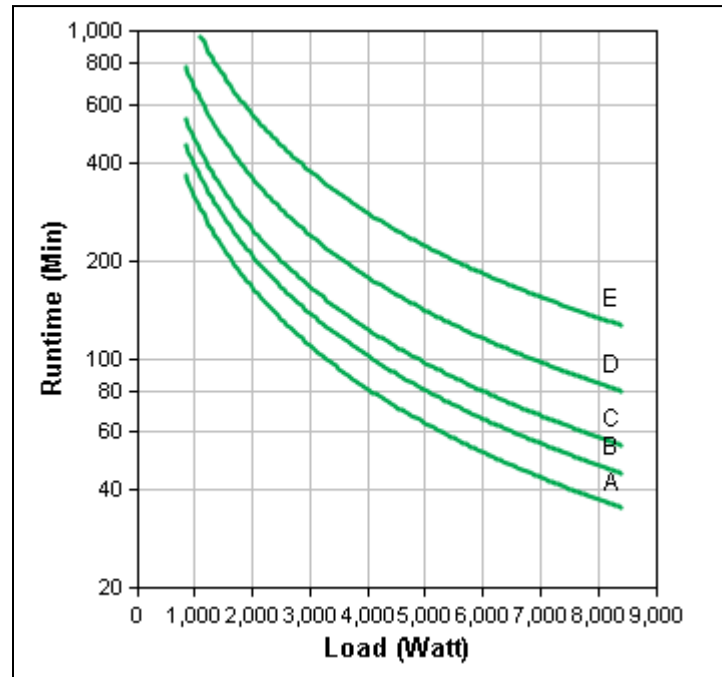
SYA12K16I: APC Symmetra LX 12 kVA scalable to 16 kVA N+1 Tower, 230 V Battery Run-Times (minutes):

Curve	Part number(s)
A	SYA12K16I
B	SYA12K16I + (1)SYBT5
C	SYA12K16 I + (1)SYAXR9B9I
D	SYA12K16 I + (2)SYAXR9B9I
E	SYA12K16 I + (3)SYAXR9B9I



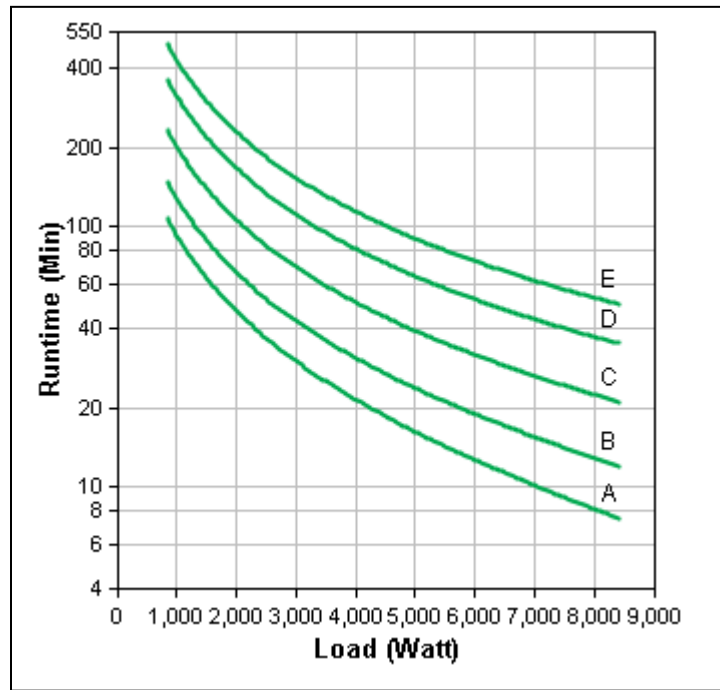
SYA12K16IXR: APC Symmetra LX 12 kVA scalable to 16 kVA N+1 Ext. Run Tower, 230 V Battery Run-Times (minutes):

Curve	Part number(s)
A	SYA12K16IXR
B	SYA12K16IXR + (2)SYBT5
C	SYA12K16IXR + (4)SYBT5
D	SYA12K16IXR + (1)SYAXR9B9I
E	SYA12K16IXR + (2)SYAXR9B9I



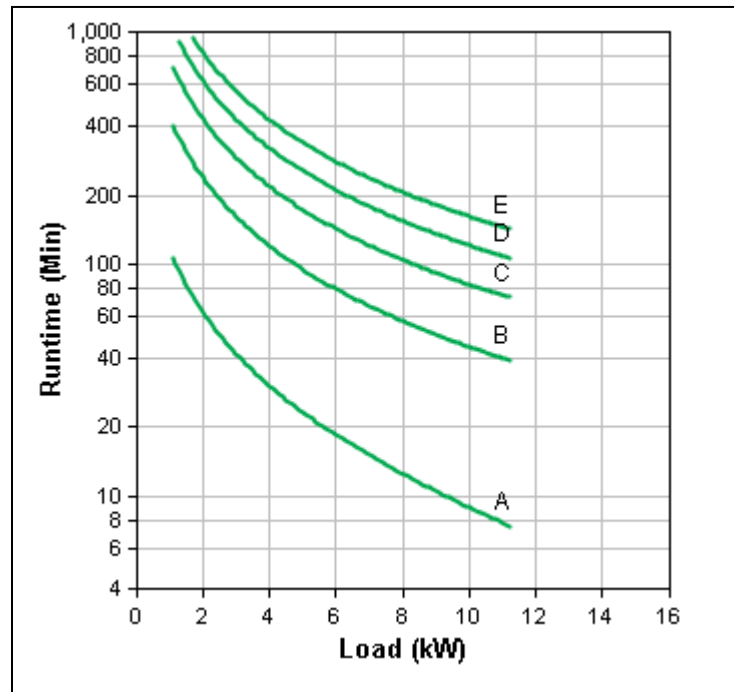
SYA12K16RMI: APC Symmetra LX 12 kVA scalable to 16 kVA N+1 Rack-mount, 230 V Battery Run-Times (minutes):

Curve	Part number(s)
A	SYA12K16RMI
B	SYA12K16RMI + (1)SYBT5
C	SYA12K16RMI + (1)SYARMXR3B3I
D	SYA12K16RMI + (2)SYARMXR3B3I
E	SYA12K16RMI + (1)SYARMXR9B9I



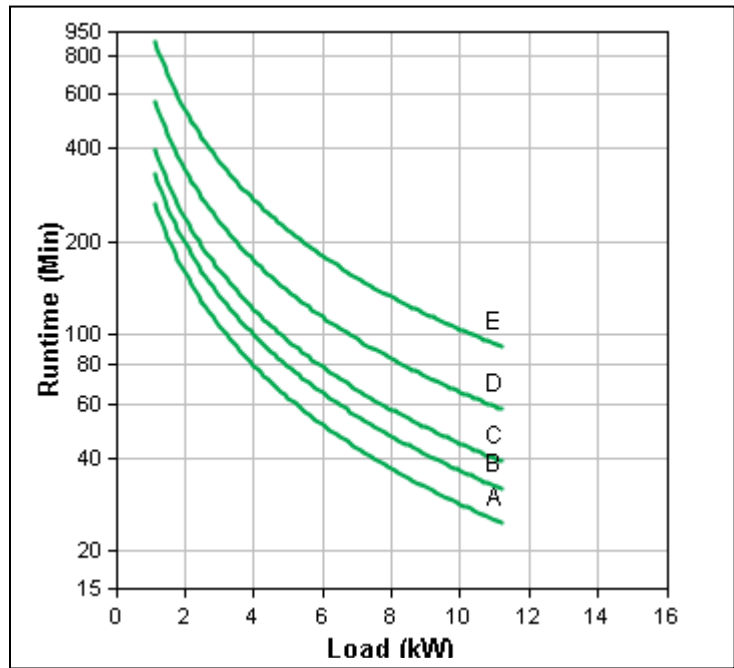
SYA16K16I: APC Symmetra LX 16 kVA scalable to 16 kVA N+1 Tower, 230 V Battery Run-Times (minutes):

Curve	Part number(s)
A	SYA16K16I
B	SYA16K16I + (1)SYAXR9B9I
C	SYA16K16 I + (2)SYAXR9B9I
D	SYA16K16 I + (3)SYAXR9B9I
E	SYA16K16 I + (4)SYAXR9B9I



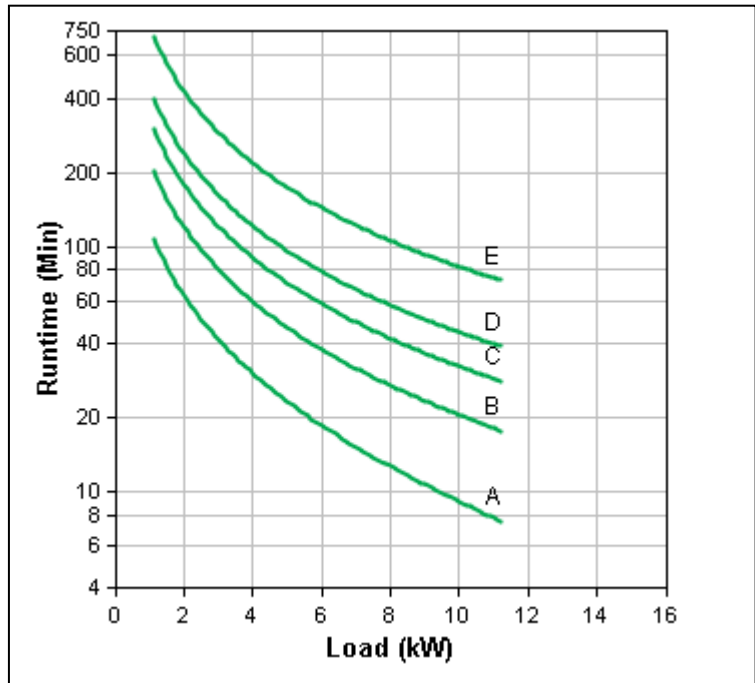
SYA16K16IXR: APC Symmetra LX 16 kVA scalable to 16 kVA N+1 Ext. Run Tower, 230 V Battery Run-Times (minutes):

Curve	Part number(s)
A	SYA16K16IXR
B	SYA16K16IXR + (2)SYBT5
C	SYA16K16IXR + (4)SYBT5
D	SYA16K16IXR + (1)SYAXR9B9I
E	SYA16K16IXR + (2)SYAXR9B9I



SYA16K16RMI: APC Symmetra LX 16 kVA scalable to 16 kVA N+1 Rack-mount, 230 V Battery Run-Times (minutes):

Curve	Part number(s)
A	SYA16K16RMI
B	SYA16K16RMI + (1)SYARMXR3B3I
C	SYA16K16RMI + (2)SYARMXR3B3I
D	SYA16K16RMI + (1)SYARMXR9B9I
E	SYA16K16RMI + (2)SYARMXR9B9I



# Battery Specifications

Symmetra LX Model	16 kVA Extended Run	16 kVA Tower	8 kVA Tower	16 kVA Rack-mount	8 kVA Rack-mount
SKU	SYA16K16IXR	SYA16K16I	SYA8K8I	SYA16K16RMI	SYA8K8RMI
Type	Maintenance-free, valve-regulated lead-acid battery with suspended electrolyte,				
Battery Module SKU	SYBT5 (or optional SYBT5FR with flame-retardant case)				
Hot Swappable	Yes				
User-	Yes				
Battery Voltage, Vdc	100 - 147 Vdc (120 Vdc nominal)				
Battery Amp-Hour Capacity	9.0 Ah				
Battery Charge Power Rating	300 W per installed Power Module				
Minimum Input Voltage to	124 Vac L-N				
Recharge Time 0% to 90% <sup>1</sup>	7.5 hours	3 hours			
Automatic Self-Test	At turn-on, every 7 days, or every 14 days (user-selectable)				
Intelligent Battery	Yes				
Typical Battery Life	3 to 5 years				
Extended Runtime Option	Yes				
External Extended Run	6 maximum	7 maximum			
<sup>1</sup> Systems configured with external extended run (XR) battery frames have longer recharge times.					

## Battery Gassing Rates



**NOTE:** We recommend that room ventilation is based on maximum values.

Gassing Rates per Hour for a Single SYBT5 Battery Module	
Typical	Maximum
10.3 cm <sup>3</sup>	18 cm <sup>3</sup>

## Battery Material Safety Data Sheet



**NOTE:** For Material Safety Data Sheet (MSDS), go to <https://www.se.com/uk/en/faqs/FA158828/>.

# Compliance


---

Regulatory Approvals	C-tick, CE, EN 50091-1, EN 50091-2, EN 55022 Class A, EN 55024, EN 60950, GOST, IEC 60950, VDE
----------------------	--

# Facility Planning


## Specifications for Installations

### AC Input

Input Connections: Tower and Rack-Mount UPS				
Maximum Load	Method	Voltage (Vac)	Circuit Breaker Rating (Recommended)	Connection
8 kVA	Hardwired (Standard on tower and rack-mount)	1-phase: 220 or 230 or 240  3-phase: 380 or 400 or 415	50 A	<ul style="list-style-type: none"> <li>External circuit breaker</li> <li>#6 AWG (16mm<sup>2</sup>)</li> <li>Torque to 40 in-lb (4.5 N-m)</li> <li>1-phase: 3-Wire (L1-N-G)*</li> <li>3-phase: 5-wire (L1-L2-L3-N-G)*</li> </ul>
16 kVA	Hardwired (Standard on tower and rack-mount)	1-phase: 220 or 230 or 240  3-phase: 380 or 400 or 415	100 A	<ul style="list-style-type: none"> <li>External circuit breaker</li> <li>#3 AWG (25 mm<sup>2</sup>)</li> <li>Torque to 40 in-lb (4.5 N-m)</li> <li>1-phase: 3-Wire (L1-N-G)*</li> <li>3-phase: 5-wire (L1-L2-L3-N-G)*</li> </ul>
* Wire connection "G" represents protective earth ground. 				

<b>Input Specifications: 220/230/240 V or 380/400/415 V UPS</b>					
<b>Symmetra LX Model</b>	<b>16 kVA Extended Run</b>	<b>16 kVA Tower</b>	<b>8 kVA Tower</b>	<b>16 kVA Rack-Mount</b>	<b>8 kVA Rack-Mount</b>
<b>SKU</b>	SYA16K16IXR	SYA16K16I	SYA8K8I	SYA16K16RMI	SYA8K8RMI
<b>Input Power (full load, Charging batteries)</b>	14.6 kW	14.6 kW	7.5 kW	14.6 kW	7.5 kW
<b>Input Power (full load, Batteries fully charged)</b>	13 kW	13 kW	6.6 kW	13 kW	6.6 kW
<b>Nominal Input Voltage<sup>1</sup></b>	220/230/240 Vac 1:1 or 380/400/415 Vac 3:1				
<b>Input Voltage Range @ full load</b>	155-276 Vac rms L-N				
<b>Normal Input Current on any phase (nominal mains, battery discharged)<sup>1</sup></b>	68 A @ 1:1 or 25 A @ 3:1	68 A @ 1:1 or 25 A @ 3:1	35 A @ 1:1 or 13 A @ 3:1	68 A @ 1:1 or 25 A @ 3:1	35 A @ 1:1 or 13 A @ 3:1
<b>Normal Input Current on any phase (nominal mains, battery charged)<sup>1</sup></b>	61 A @ 1:1 or 22 A @ 3:1	61 A @ 1:1 or 22 A @ 3:1	31 A @ 1:1 or 12 A @ 3:1	61 A @ 1:1 or 22 A @ 3:1	31 A @ 1:1 or 12 A @ 3:1
<b>Maximum Input Current on any phase (low mains, battery discharged)</b>	85 A @ 1:1 or 31 A @ 3:1	85 A @ 1:1 or 31 A @ 3:1	44 A @ 1:1 or 17 A @ 3:1	85 A @ 1:1 or 31 A @ 3:1	44 A @ 1:1 or 17 A @ 3:1
<b>Input overcurrent protection</b>	100 A resettable breaker	100 A resettable	50 A resettable	100 A resettable breaker	50 A resettable breaker
<b>Maximum Input leakage current</b>	5% input current rating				
<b>Input Power Factor<sup>1</sup></b>	0.98 @ 1:1 or 0.90 @ 3:1 at full load.				
<b>Input Power Factor Correction</b>	Yes				
<b>Input Frequency</b>	45 - 65 Hz				
<sup>1</sup> The notation 1:1 refers to a UPS configured for single-phase AC input and output, and the notation 3:1 refers to a UPS configured for 3-phase input and single-phase output.					

## AC Output

Output Connections: Tower and Rack-Mount UPS				
Maximum Load	Method	Voltage (Vac)	Circuit Breaker Rating (Recommended)	Connection
8 kVA	Hardwired (Standard on tower and rack-mount)	220, 230 or 240	50 A	<ul style="list-style-type: none"> <li>External circuit breaker</li> <li>#6 AWG (16 mm<sup>2</sup>)</li> <li>Torque to 40 in-lb (4.5 N-m)</li> <li>1-phase: 3-Wire (L1-N-G)*</li> </ul>
	Output sockets (Standard on rack-mount)	220, 230 or 240		<ul style="list-style-type: none"> <li>6 (IEC 320 C19) sockets with 6 (15 A, 250 V) circuit breakers</li> <li>8 (IEC 320 C13) sockets with 2 (10 A, 250 V) circuit breakers</li> </ul>
16 kVA	Hardwired (Standard on tower and rack-mount)	220, 230 or 240	100 A	<ul style="list-style-type: none"> <li>External circuit breaker</li> <li>#3 AWG (25 mm<sup>2</sup>)</li> <li>Torque to 40 in-lb (4.5 N-m)</li> <li>1-phase: 3-Wire (L1-N-G)*</li> </ul>
	Output sockets (Standard on rack-mount)	220, 230 or 240		<ul style="list-style-type: none"> <li>10 (IEC 320 C19) sockets with 10 (15 A, 250 V) circuit breakers</li> <li>8 (IEC 320 C13) sockets with 2 (10 A, 250 V) circuit breakers</li> </ul>
* Wire connection "G" represents protective earth ground. 				

<b>Output Specifications: 230 V UPS</b>					
<b>Symmetra LX Model</b>	<b>16 kVA Extended Run Tower</b>	<b>16 kVA Tower</b>	<b>8 kVA Tower</b>	<b>16 kVA Rack-Mount</b>	<b>8 kVA Rack-Mount</b>
<b>SKU</b>	SYA16K16IXR	SYA16K16I	SYA8K8I	SYA16K16RMI	SYA8K8RMI
<b>Maximum Power, Watts</b>	11.2 kW	11.2 kW	5.6 kW	11.2 kW	5.6 kW
<b>Maximum Power, VA</b>	16 kVA	16 kVA	8 kVA	16 kVA	8 kVA
<b>Output Power Overload (Watts or VA)</b>	<105% indefinitely; 130% indefinitely when configured for N+1; >105% for 4 seconds				
<b>Load Power Factor Range (Lagging)</b>	0.5 to 1.0				
<b>Nominal Output Voltages, Vac</b>	User-selectable 220, 230 or 240 Vac L-N				
<b>Static Voltage Regulation</b>	±3% of nominal				
<b>Dynamic Load Response</b>	±5% of nominal and 60 ms recovery time at step loads 0% to 100% or 100% to 0%.				
<b>Output current (A), RMS: Full Load – normal</b>	73	73	36	73	36
<b>Waveform</b>	Sinewave				
<b>Output Voltage THD, computer load</b>	Less than 5% at full load				
<b>Output Voltage THD, resistive load</b>	Less than 2% at full load				
<b>Load Crest Factor</b>	up to 5 : 1				
<b>Output Frequency On-Line (synchronized to mains if possible)</b>	50 +/-3.0 Hz and 60 +/- 3.0 Hz auto sense 60 +/- 0.1Hz 50 +/- 0.1Hz 60 +/- 3.0Hz 50 +/- 3.0Hz				
<b>Max Output Frequency Slew Rate</b>	5 Hz/second				
<b>Output Frequency On Battery</b>	50 or 60Hz				
<b>Output Frequency In Bypass</b>	45 - 65 Hz (can be restricted to 47-53 or 57-63 Hz windows)				

# Configuration and Management

## Powerview User Interface

The Powerview user interface enables local monitoring, control, and configuration of a Symmetra LX UPS and Extended Run Cabinet.

See the *Symmetra LX Operations Guide* for an overview of operations and a detailed explanation of how to use the Powerview user interface.

To obtain the latest version of the documentation:

1. Go to <https://www.se.com/uk/en/product-category/8000-uninterruptible-power-supply-ups/?filter=business-3-critical-power-cooling-and-racks>
2. On **Uninterruptible Power Supply (UPS)** page, click on **Network and Server**.
3. Under the **Network and Server** category, click on **Symmetra**.
4. On the Symmetra products page, click on a Symmetra LX model name.
5. Download the *Operations Guide* from the **Documentation** tab.

## Network Management Card 3

Symmetra LX models have the Network Management Card 3 with Environmental Monitoring pre-installed. This management card enables you to monitor and control an individual UPS remotely over your network.

See the *User's Guide, UPS Network Management Card 3, AP9630, AP9631* for information on how to use this management card. To obtain the latest version of this documentation:

1. Go to <https://www.se.com/uk/en/product-category/8000-uninterruptible-power-supply-ups/?filter=business-3-critical-power-cooling-and-racks>
2. On **Uninterruptible Power Supply (UPS)** page, click on **Network and Server**.
3. Under the **Network and Server** category, click on **Symmetra**.
4. On the Symmetra products page, click on a Symmetra LX model name.
5. Scroll down to find the **Software & Firmware** tab.
6. Under **Network Management Card**, find the listing for the latest **Network Management Card Firmware for Symmetra with AP9630/31**.
7. Click on the **Manuals** link in that listing.
8. Download the *User's Guide*.

## Remote Emergency Power Off (REPO)

All Symmetra LX models include a Remote Emergency Power Off (REPO) function.

- The output power can be disabled in an emergency by closing a switch connected to the REPO circuit, which shuts down the UPS and its load. You must manually reset the system enable switch on the front of the UPS to restart the unit.
- The REPO function can be initiated by an externally provided isolated dry contact (REPO).
- The REPO function is activated by the closure of a contact.

You can install the REPO switch in one of two ways:

- Use an external switch contact and connect the REPO switch with the pre-installed jumper.
- Use a switch contact and a 24 V power supply external to the UPS. (Remove the jumper and connect the REPO switch.)



**NOTE:** In many locations, the Remote Emergency Power Off (REPO) switch must be installed by a licensed electrician. Refer to local and national codes.

To obtain the latest version of documentation pertaining to the REPO:

1. Go to <https://www.se.com/uk/en/product-category/8000-uninterruptible-power-supply-ups/?filter=business-3-critical-power-cooling-and-racks>
2. On **Uninterruptible Power Supply (UPS)** page, click on **Network and Server**.
3. Under the **Network and Server** category, click on Symmetra.
4. On the Symmetra products page, click on a Symmetra LX model name.
5. Download the following documentation from the **Documentation** tab:
  - a. See the *Symmetra LX Safety and General Information Guide* for REPO requirements and detailed safety instructions.
  - b. See the *Symmetra LX Electrical Installation* manual for complete installation instructions for the REPO.

# Physical

## Weights and Dimensions

SKU	UPS Cabinet	Weight in kg	Height in mm	Width in mm	Depth in mm
SYA4K8I	4 kVA scalable to 8 kVA N+1 Tower	157.7	671	483	726
SYA4K8RMI	4 kVA scalable to 8 kVA N+1 Rack-mount	134.1	572 (Rack Height 13 U)	472	688
SYA8K16I	8 kVA scalable to 16 kVA N+1, Tower	219.6	937	483	726
SYA8K16IXR	8 kVA scalable to 16 kVA N+1 Ext. Run Tower	473.7	1516	483	726
SYA8K16RMI	8 kVA scalable to 16 kVA N+1 Rack-mount	198.7	836 (Rack Height 19 U)	472	688
SYA8K8I	8 kVA scalable to 8 kVA N+1 Tower	201.9	671	483	726
SYA8K8RMI	8 kVA scalable to 8 kVA N+1 Rack-mount	178.2	572 (Rack Height 13 U)	472	688
SYA12K16I	12 kVA scalable to 16 kVA N+1 Tower	263.7	937	483	726
SYA12K16IXR	12 kVA Scalable to 16 kVA N+1 Ext. Run Tower	488.7	1516	483	726
SYA12K16RMI	12 kVA Scalable to 16 kVA N+1 Rack-mount	242.7	836 (Rack Height 19 U)	472	688
SYA16K16I	16 kVA Scalable to 16 kVA N+1 Tower	307.7	937	483	726
SYA16K16IXR	16 kVA Scalable to 16 kVA N+1 Ext. Run Tower	503.6	1516	483	726
SYA16K16RMI	16 kVA Scalable to 16 kVA N+1 Rack-mount	286.9	836 (Rack Height 19 U)	472	688

## Shipping Weights and Dimensions

SKU	UPS Cabinet	Weight in kg	Height in mm	Width in mm	Depth in mm
SYA4K8I	4 kVA scalable to 8 kVA N+1 Tower	179.1	914	599	997
SYA4K8RMI	4 kVA scalable to 8 kVA N+1 Rack-mount	166.4	787	599	997
SYA8K16I	8 kVA scalable to 16 kVA N+1, Tower	236.8	1181	599	997
SYA8K16IXR	8 kVA scalable to 16 kVA N+1 Ext. Run Tower	505.3	1880	599	997
SYA8K16RMI	8 kVA scalable to 16 kVA N+1 Rack-mount	239.6	1054	599	997
SYA8K8I	8 kVA scalable to 8 kVA N+1 Tower	229.6	914	599	997
SYA8K8RMI	8 kVA scalable to 8 kVA N+1 Rack-mount	216.8	787	599	997
SYA12K16I	12 kVA scalable to 16 kVA N+1 Tower	287.3	1181	599	997
SYA12K16IXR	12 kVA Scalable to 16 kVA N+1 Ext. Run Tower	520.5	1880	599	997
SYA12K16RMI	12 kVA Scalable to 16 kVA N+1 Rack-mount	290.0	1054	599	997
SYA16K16I	16 kVA Scalable to 16 kVA N+1 Tower	337.8	1181	599	997
SYA16K16IXR	16 kVA Scalable to 16 kVA N+1 Ext. Run Tower	535.5	1880	599	997
SYA16K16RMI	16 kVA Scalable to 16 kVA N+1 Rack-mount	340.5	1054	599	997

# Environmental

## Requirements for Operation and Storage

Operating Environment	0 to 40 °C
Operating Relative Humidity	0 to 95%
Operating Elevation	0 to 3000 meters
Storage Temperature	-15 to 45 °C
Storage Relative Humidity	0 to 95%
Storage Elevation	0 to 4500 meters
Audible noise at 1 meter from surface of unit	62 dBA

## Heat Dissipation

Online Thermal Dissipation		
SKU	APC Symmetra Model	BTUs per hour
SYA4K8I	APC Symmetra LX 4 kVA scalable to 8 kVA N+1 Tower, 230 V	2762
SYA4K8RMI	APC Symmetra LX 4 kVA scalable to 8 kVA N+1 Rack-mount, 230 V	2762
SYA8K16I	APC Symmetra LX 8 kVA scalable to 16 kVA N+1 Tower, 230 V	3707
SYA8K16IXR	APC Symmetra LX 8 kVA scalable to 16 kVA N+1 Ext. Run Tower, 230 V	3707
SYA8K16RMI	APC Symmetra LX 8 kVA scalable to 16 kVA N+1 Rack-mount, 230 V	3707
SYA8K8I	APC Symmetra LX 8 kVA scalable to 8 kVA N+1 Tower, 230 V	2762
SYA8K8RMI	APC Symmetra LX 8 kVA scalable to 8 kVA N+1 Rack-mount, 230 V	2762
SYA12K16I	APC Symmetra LX 12 kVA scalable to 16 kVA N+1 Tower, 230 V	3707
SYA12K16IXR	APC Symmetra LX 12 kVA scalable to 16 kVA N+1 Ext. Run Tower, 230 V	3707
SYA12K16RMI	APC Symmetra LX 12 kVA scalable to 16 kVA N+1 Rack-mount, 230 V	3707
SYA16K16I	APC Symmetra LX 16 kVA scalable to 16 kVA N+1 Tower, 230 V	3707
SYA16K16IXR	APC Symmetra LX 16 kVA scalable to 16 kVA N+1 Ext. Run Tower, 230 V	3707
SYA16K16RMI	APC Symmetra LX 16 kVA scalable to 16 kVA N+1 Rack-mount, 230 V	3707

# Drawings

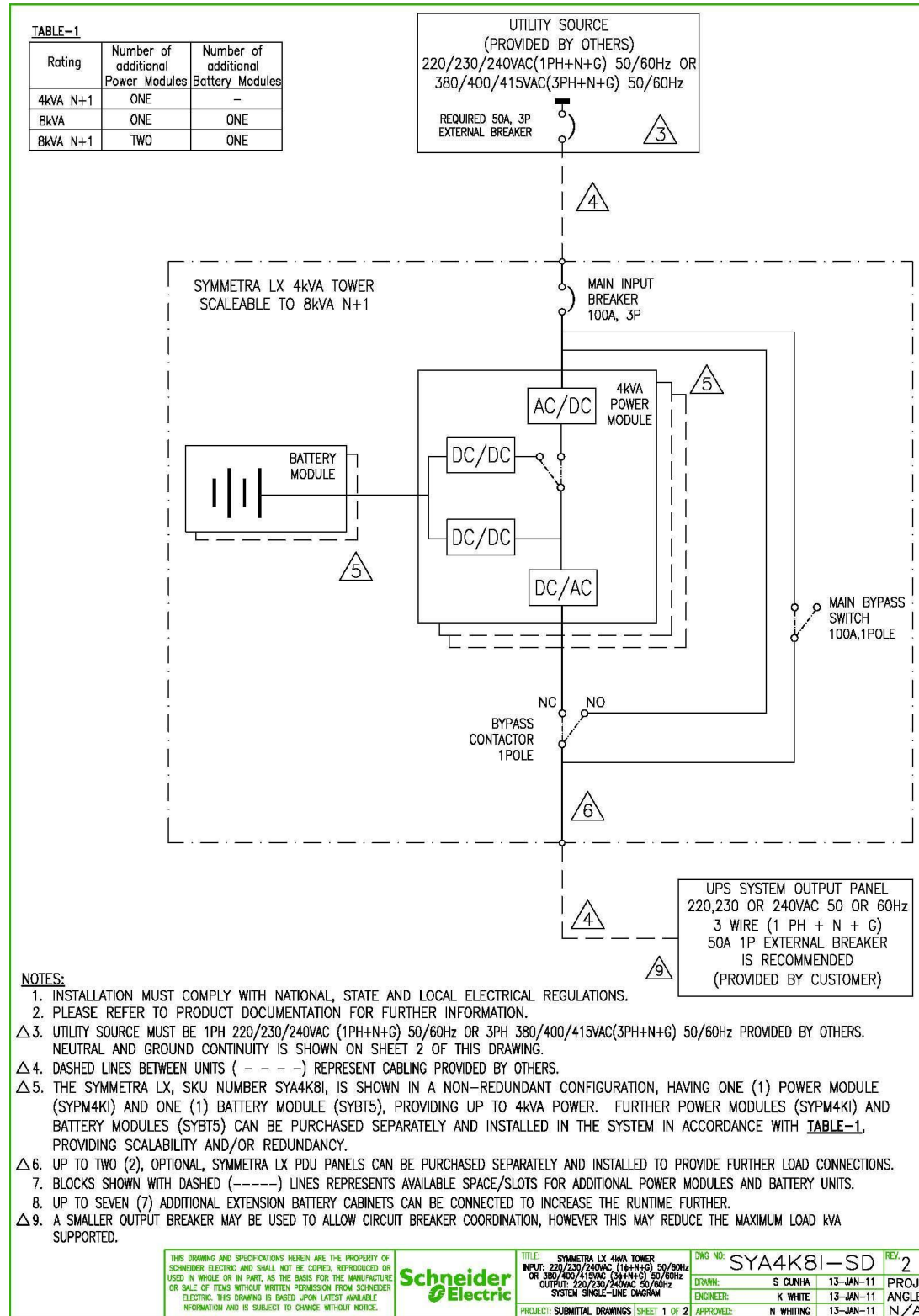
In addition to the one drawing in this section for each model, other drawings are available on the Schneider Electric website:

- Mechanical drawings
- Single-line diagrams
- For tower models, illustrations for seismic anchoring

To view or download any of the additional drawings:

1. Go to <https://www.se.com/uk/en/product-category/8000-uninterruptible-power-supply-ups/?filter=business-3-critical-power-cooling-and-racks>
2. On **Uninterruptible Power Supply (UPS)** page, click on **Network and Server**.
3. Under the **Network and Server** category, click on APC Symmetra.
4. On the APC Symmetra products page, click on a Symmetra LX model name.
5. Click on the **Documents** tab, and scroll downward.
6. Under **Documents**, click on a drawing name to view or download it.

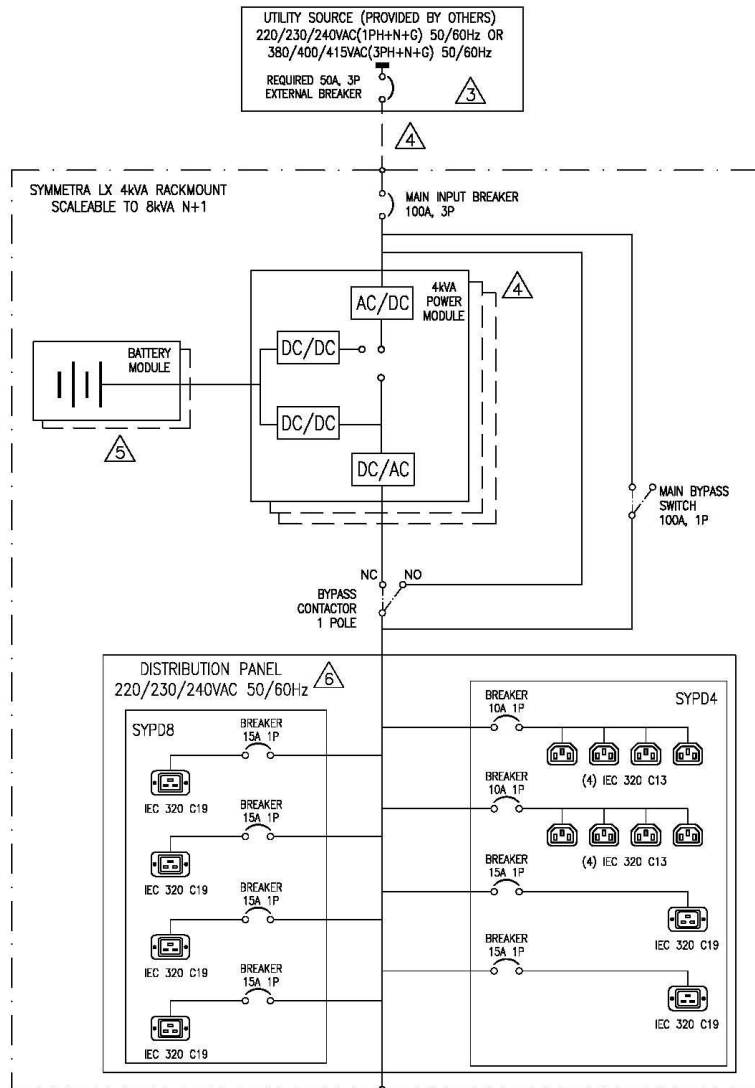
# SYA4K8I: Symmetra LX 4 kVA Scalable to 8 kVA N+1 Tower, 230 V



# SYA4K8RMI: Symmetra LX 4 kVA Scalable to 8 kVA N+1 Rack-Mount, 230

TABLE-1

Rating	Number of additional Power Module(s)	Number of additional Battery Module(s)
4kVA N+1	ONE	—
8kVA	ONE	ONE
8kVA N+1	TWO	ONE



**NOTES:**

1. INSTALLATION MUST COMPLY WITH NATIONAL, STATE AND LOCAL ELECTRICAL REGULATIONS.
2. PLEASE REFER TO PRODUCT DOCUMENTATION FOR FURTHER INFORMATION.
- △ 3. UTILITY SOURCE MUST BE 1PH 220/230/240VAC (1PH+N+G) 50/60Hz OR 3PH 380/400/415VAC (3PH+N+G) 50/60Hz PROVIDED BY OTHERS. NEUTRAL AND GROUND CONTINUITY IS SHOWN ON SHEET 2 OF THIS DRAWING.
- △ 4. DASHED LINES BETWEEN UNITS ( - - - - ) REPRESENT CABLING PROVIDED BY OTHERS.
- △ 5. THE SYMMETRA LX, SKU NUMBER SYA4K8RMI, IS SHOWN IN A NON-REDUNDANT CONFIGURATION, HAVING ONE (1) POWER MODULE (SYPM4KI) AND ONE (1) BATTERY MODULE (SYBT5), PROVIDING UP TO 4KVA POWER. FURTHER POWER MODULES (SYPM4KI) AND BATTERY MODULE (SYBT5) CAN BE PURCHASED SEPARATELY AND INSTALLED IN THE SYSTEM IN ACCORDANCE WITH TABLE-1, PROVIDING SCALABILITY AND/OR REDUNDANCY.
- △ 6. TWO (2) SYMMETRA LX PDU PANELS ARE PRE-INSTALLED, PROVIDING SIX (6) IEC 320 C19 AND EIGHT (8) IEC 320 C13 OUTLETS. ALTERNATIVE PANELS CAN BE PURCHASED SEPARATELY AND INSTALLED.
7. BLOCKS SHOWN WITH DASHED (-----) LINES REPRESENTS AVAILABLE SPACE/SLOTS FOR ADDITIONAL POWER MODULES AND BATTERY UNITS.
8. UP TO SEVEN (7) ADDITIONAL EXTENDED RUN BATTERY CABINETS CAN BE CONNECTED TO INCREASE THE RUNTIME FURTHER.
- △ 9. A SMALLER OUTPUT BREAKER MAY BE USED TO ALLOW CIRCUIT BREAKER COORDINATION, HOWEVER THIS MAY REDUCE THE MAXIMUM LOAD KVA SUPPORTED.

UPS SYSTEM OUTPUT PANEL  
220,230 OR 240VAC 50 OR 60Hz  
3 WIRE (1 PHASE + NEUTRAL + GROUND)  
50A 1P EXTERNAL BREAKER  
IS RECOMMENDED (PROVIDED BY CUSTOMER)

THIS DRAWING AND SPECIFICATIONS HEREIN ARE THE PROPERTY OF SCHNEIDER ELECTRIC AND SHALL NOT BE COPIED, REPRODUCED OR USED IN WHOLE OR IN PART, AS THE BASIS FOR THE MANUFACTURE OR SALE OF ITEMS WITHOUT WRITTEN PERMISSION FROM SCHNEIDER ELECTRIC. THIS DRAWING IS BASED UPON LATEST AVAILABLE INFORMATION AND IS SUBJECT TO CHANGE WITHOUT NOTICE.



TITLE: SYMMETRA LX 4KVA RACKMOUNT  
INPUT: 220/230/240VAC (1PH+N+G) 50/60Hz  
OR 380/400/415VAC (3PH+N+G) 50/60Hz  
OUTPUT: 220/230/240VAC 50/60Hz  
SYSTEM SINGLE-LINE DIAGRAM  
PROJECT: SUBMITTAL DRAWINGS SHEET 1 OF 2

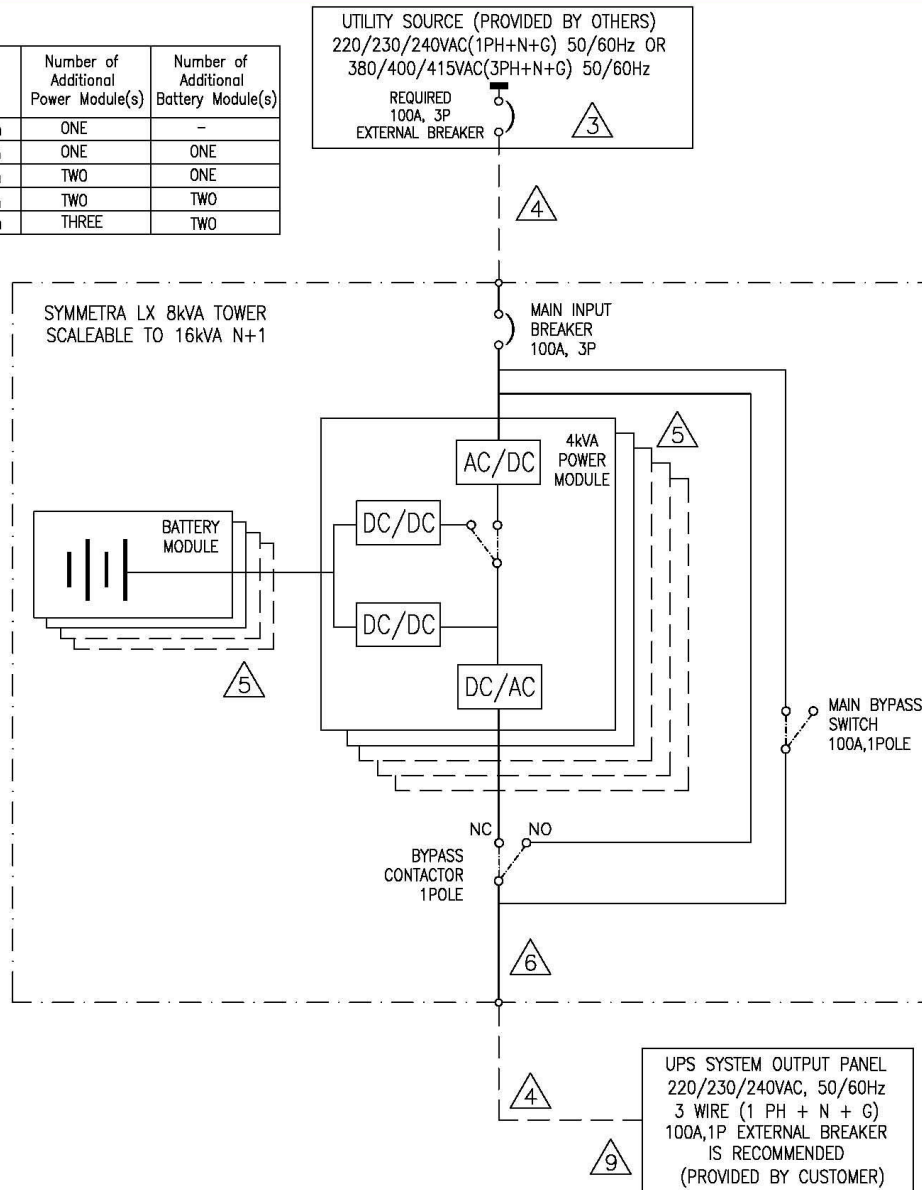
DWG NO: SYA4K8RMI-SD  
REV: 2  
DRAWN: S CUNHA 13-JAN-11  
ENGINEER: K WHITE 13-JAN-11  
APPROVED: N WHITING 13-JAN-11

PROJ. ANGLE  
N/A

# SYA8K16I: Symmetra LX 8 kVA Scalable to 16 kVA N+1 Tower, 230 V

**TABLE-1**

Rating	Number of Additional Power Module(s)	Number of Additional Battery Module(s)
8kVA N+1, Ext. run	ONE	-
12kVA, Ext. run	ONE	ONE
12kVA N+1, Ext. run	TWO	ONE
16kVA, Ext. run	TWO	TWO
16kVA N+1, Ext. run	THREE	TWO



**NOTES:**

1. INSTALLATION MUST COMPLY WITH NATIONAL, STATE AND LOCAL ELECTRICAL REGULATIONS.
2. PLEASE REFER TO PRODUCT DOCUMENTATION FOR FURTHER INFORMATION.
- △3. UTILITY SOURCE MUST BE 1PH 220/230/240VAC (1PH+N+G) 50/60Hz OR 3PH 380/400/415VAC(3PH+N+G) 50/60Hz PROVIDED BY OTHERS. NEUTRAL AND GROUND CONTINUITY IS SHOWN ON SHEET 2 OF THIS DRAWING.
- △4. DASHED LINES BETWEEN UNITS ( - - - ) REPRESENT CABLING PROVIDED BY OTHERS.
- △5. THE SYMMETRA LX, SKU NUMBER SYA8K16I, IS SHOWN IN A NON-REDUNDANT CONFIGURATION, HAVING TWO (2) POWER MODULES (SYPM4KI) AND TWO (2) BATTERY MODULES (SYBT5), PROVIDING UP TO 8kVA POWER. FURTHER POWER MODULES (SYPM4KI) AND BATTERY MODULES (SYBT5) CAN BE PURCHASED SEPARATELY AND INSTALLED IN THE SYSTEM IN ACCORDANCE WITH TABLE-1, PROVIDING SCALABILITY AND/OR REDUNDANCY.
- △6. UP TO FOUR (4), OPTIONAL, SYMMETRA LX PDU PANELS CAN BE PURCHASED SEPARATELY AND INSTALLED TO PROVIDE FURTHER LOAD CONNECTIONS.
7. BLOCKS SHOWN WITH DASHED (-----) LINES REPRESENTS AVAILABLE SPACE/SLOTS FOR ADDITIONAL POWER MODULES AND BATTERY UNITS.
8. UP TO SEVEN (7) ADDITIONAL EXTENSION BATTERY CABINETS CAN BE CONNECTED TO INCREASE THE RUNTIME FURTHER.
- △9. A SMALLER OUTPUT BREAKER MAY BE USED TO ALLOW CIRCUIT BREAKER COORDINATION, HOWEVER THIS MAY REDUCE THE MAXIMUM LOAD KVA SUPPORTED.

THIS DRAWING AND SPECIFICATIONS HEREIN ARE THE PROPERTY OF SCHNEIDER ELECTRIC AND SHALL NOT BE COPIED, REPRODUCED OR USED IN WHOLE OR IN PART, AS THE BASIS FOR THE MANUFACTURE OR SALE OF TEAMS WITHOUT WRITTEN PERMISSION FROM SCHNEIDER ELECTRIC. THIS DRAWING IS BASED UPON LATEST AVAILABLE INFORMATION AND IS SUBJECT TO CHANGE WITHOUT NOTICE.

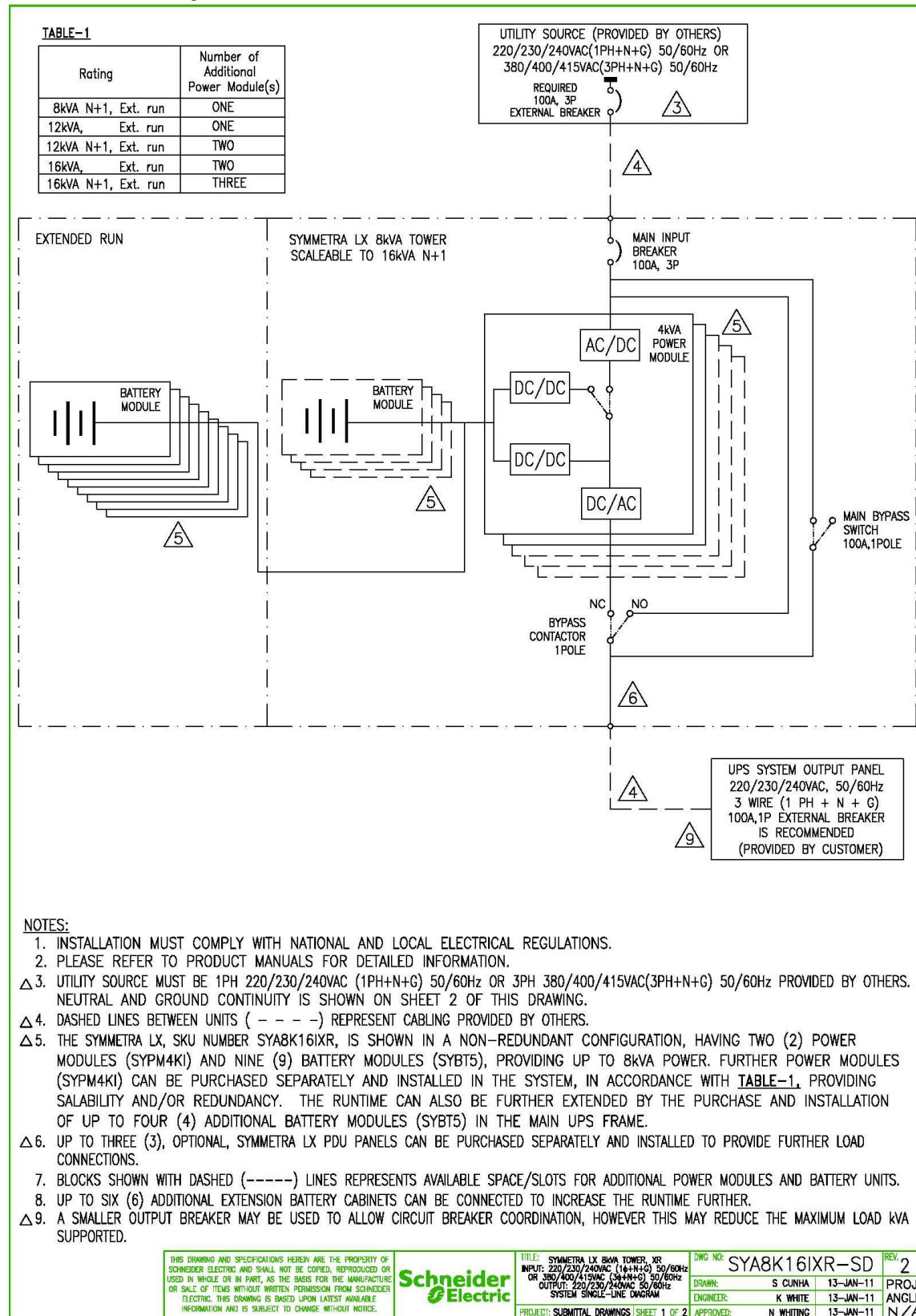


TITLE: SYMMETRA LX 8kVA TOWER  
 INPUT: 220/230/240VAC (1PH+N+G) 50/60Hz  
 OR 380/400/415VAC (3PH+N+G) 50/60Hz  
 OUTPUT: 220/230/240VAC 50/60Hz  
 SYSTEM SINGLE-LINE DIAGRAM  
 PROJECT: SUBMITTAL DRAWINGS | SHEET 1 OF 2

DWG NO: SYA8K16I-SD  
 DRAWN: S CUNHA 13-JAN-11  
 ENGINEER: K WHITE 13-JAN-11  
 APPROVED: N WHITING 13-JAN-11

REV. 2  
 PROJ. ANGLE  
 N/A

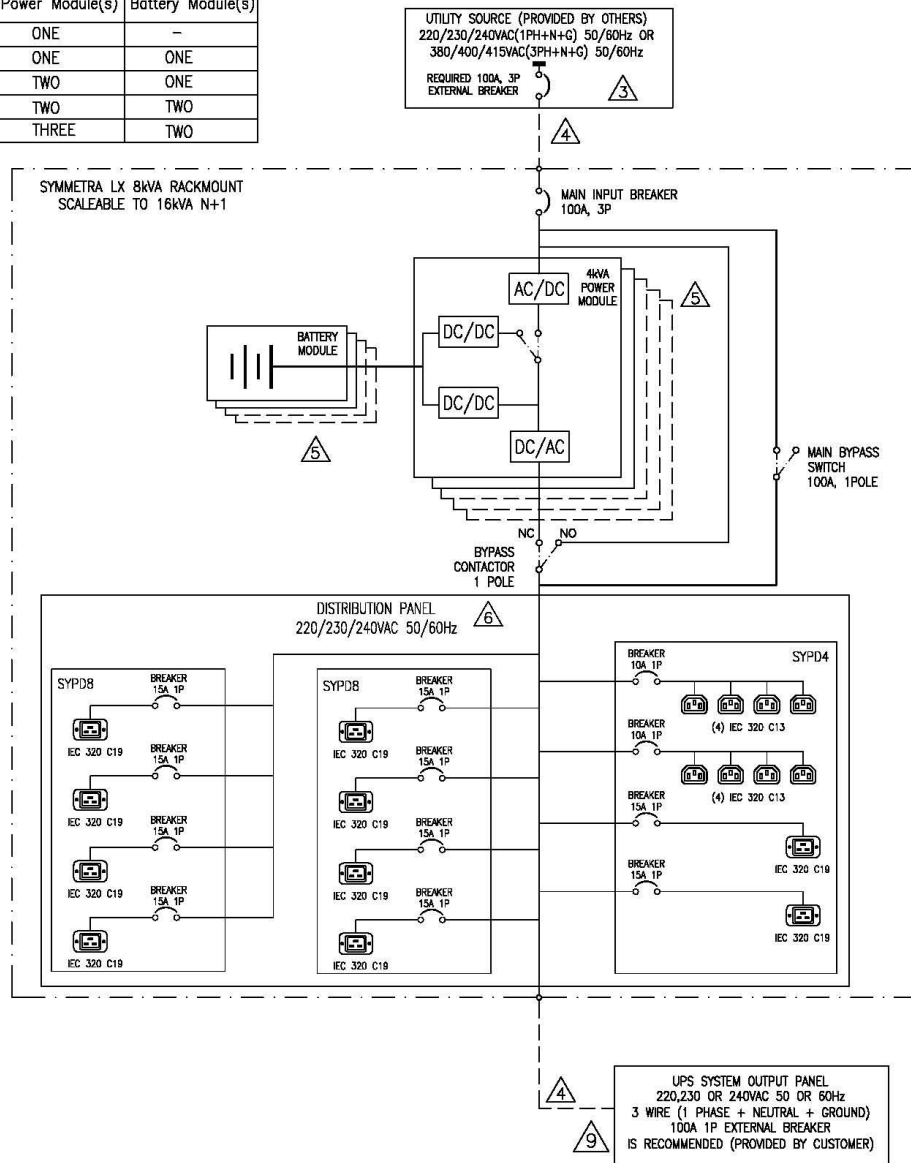
# SYA8K16IXR: Symmetra LX 8 kVA Scalable to 16 kVA N+1 Ext. Run Tower, 230 V



# SYA8K16RMI: Symmetra LX 8 kVA Scalable to 16 kVA N+1 Rack-Mount, 230 V

TABLE-1

Rating	Number of Additional Power Module(s)	Number of Additional Battery Module(s)
8kVA N+1, Ext. run	ONE	—
12kVA, Ext. run	ONE	ONE
12kVA N+1, Ext. run	TWO	ONE
16kVA, Ext. run	TWO	TWO
16kVA N+1, Ext. run	THREE	TWO



**NOTES:**

1. INSTALLATION MUST COMPLY WITH NATIONAL, STATE AND LOCAL ELECTRICAL REGULATIONS.
2. PLEASE REFER TO PRODUCT DOCUMENTATION FOR FURTHER INFORMATION.
- △3. UTILITY SOURCE MUST BE 1PH 220/230/240VAC (1PH+N+G) 50/60Hz OR 3PH 380/400/415VAC(3PH+N+G) 50/60Hz PROVIDED BY OTHERS. NEUTRAL AND GROUND CONTINUITY IS SHOWN ON SHEET 2 OF THIS DRAWING.
- △4. DASHED LINES BETWEEN UNITS ( - - - - ) REPRESENT CABLING PROVIDED BY OTHERS.
- △5. THE SYMMETRA LX, SKU NUMBER SYA8K16RMI, IS SHOWN IN A NON-REDUNDANT CONFIGURATION, HAVING TWO (2) POWER MODULES (SYPM4K1) AND TWO (2) BATTERY MODULES (SYBT5), PROVIDING UP TO 8kVA POWER. FURTHER POWER MODULES (SYPM4K1) AND BATTERY MODULES (SYBT5) CAN BE PURCHASED SEPARATELY AND INSTALLED IN THE SYSTEM IN ACCORDANCE WITH TABLE-1, PROVIDING SCALABILITY AND/OR REDUNDANCY.
- △6. THREE (3) SYMMETRA LX PDU PANELS ARE PRE-INSTALLED, PROVIDING TEN (10) IEC 320 C19 AND EIGHT (8) IEC 320 C13 OUTLETS, AN ADDITIONAL FOURTH (4th) PANEL CAN BE PURCHASED SEPARATELY AND INSTALLED TO PROVIDE ADDITIONAL OUTLETS.
  7. BLOCKS SHOWN WITH DASHED (-----) LINES REPRESENTS AVAILABLE SPACE/SLOTS FOR ADDITIONAL POWER MODULES AND BATTERY UNITS.
  8. UP TO SEVEN (7) ADDITIONAL EXTENDED RUN BATTERY CABINETS CAN BE CONNECTED TO INCREASE THE RUNTIME FURTHER.
- △9. A SMALLER OUTPUT BREAKER MAY BE USED TO ALLOW CIRCUIT BREAKER COORDINATION, HOWEVER THIS MAY REDUCE THE MAXIMUM LOAD KVA SUPPORTED.

THIS DRAWING AND SPECIFICATIONS HEREIN ARE THE PROPERTY OF SCHNEIDER ELECTRIC AND SHALL NOT BE COPIED, REPRODUCED OR USED IN WHOLE OR IN PART, AS THE BASIS FOR THE MANUFACTURE OR SALE OF ITEMS WITHOUT WRITTEN PERMISSION FROM SCHNEIDER ELECTRIC. THIS DRAWING IS BASED UPON LATEST AVAILABLE INFORMATION AND IS SUBJECT TO CHANGE WITHOUT NOTICE.

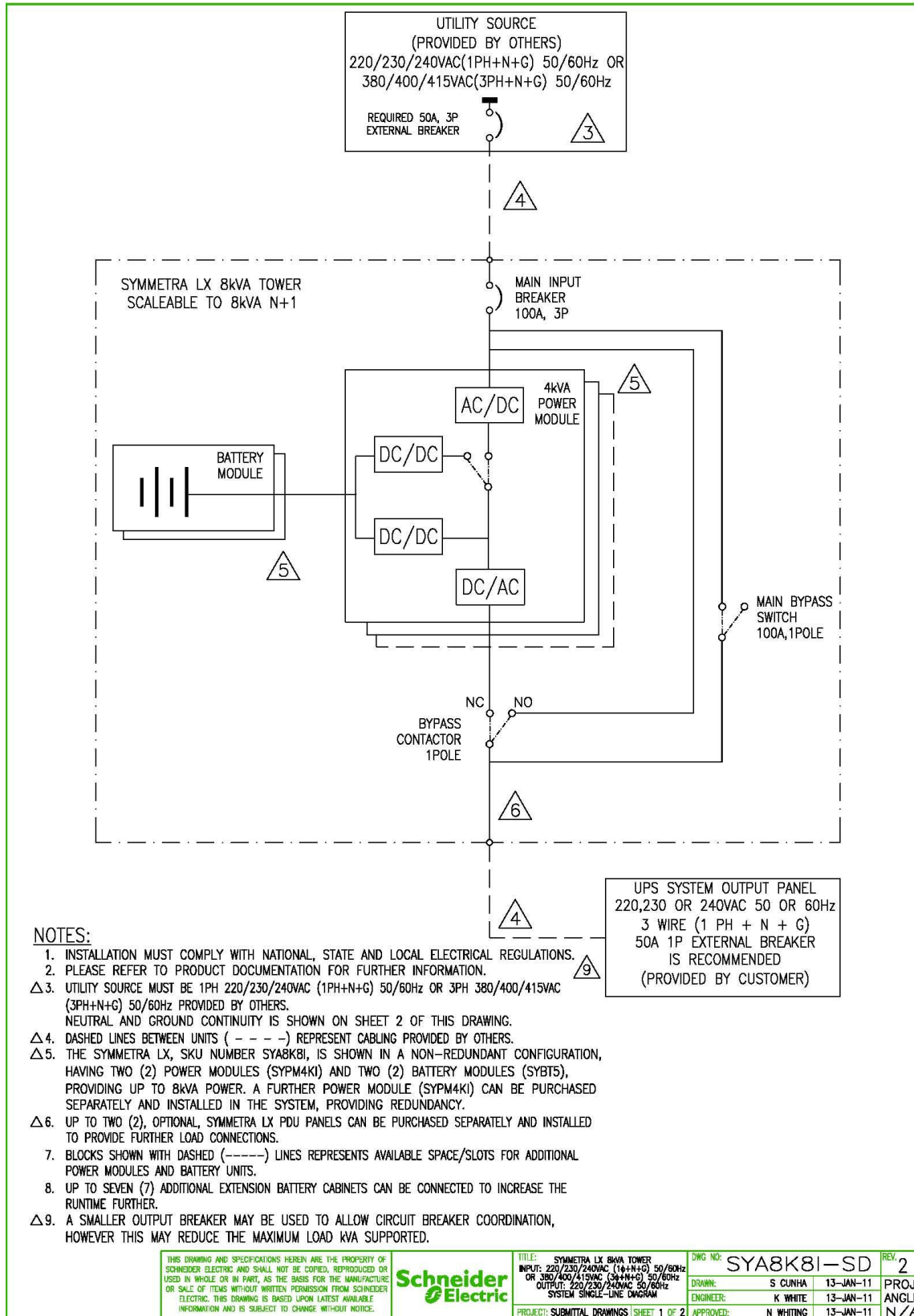


TITLE: SYMMETRA LX 8kVA RACKMOUNT  
 INPUT: 220/230/240VAC (1PH+N+G) 50/60Hz  
 OR 380/400/415VAC (3PH+N+G) 50/60Hz  
 OUTPUT: 220/230/240VAC 50/60Hz  
 SYSTEM SINGLE-LINE DIAGRAM

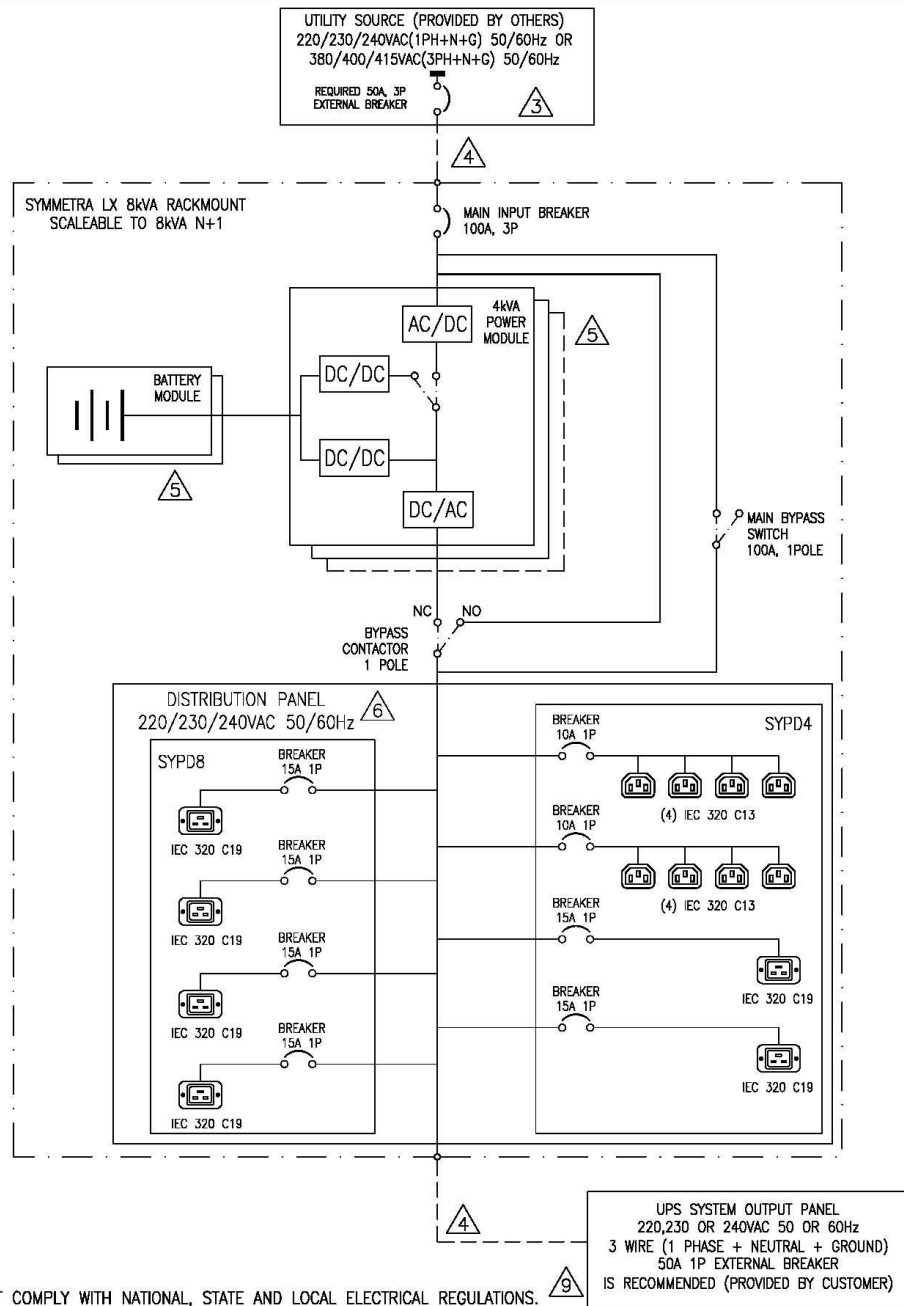
DWG NO: SYA8K16RMI-SD  
 DRAWN: S CUNHA 13-JAN-11  
 ENGINEER: K WHITE 13-JAN-11  
 APPROVED: N WHITING 13-JAN-11

REV. 2  
 PROJ. ANGLE  
 N/A

# SYA8K8I: Symmetra LX 8 kVA Scalable to 8 kVA N+1 Tower, 230 V



# SYA8K8RMI: Symmetra LX 8 kVA Scalable to 8 kVA N+1 Rack-Mount, 230 V



## NOTES:

1. INSTALLATION MUST COMPLY WITH NATIONAL, STATE AND LOCAL ELECTRICAL REGULATIONS.
2. PLEASE REFER TO PRODUCT DOCUMENTATION FOR FURTHER INFORMATION.
- △3. UTILITY SOURCE MUST BE 1PH 220/230/240VAC (1PH+N+G) 50/60Hz OR 3PH 380/400/415VAC(3PH+N+G) 50/60Hz PROVIDED BY OTHERS. NEUTRAL AND GROUND CONTINUITY IS SHOWN ON SHEET 2 OF THIS DRAWING.
- △4. DASHED LINES BETWEEN UNITS ( - - - - ) REPRESENT CABLING PROVIDED BY OTHERS.
- △5. THE SYMMETRA LX, SKU NUMBER SYA8K8RMI, IS SHOWN IN A NON-REDUNDANT CONFIGURATION, HAVING TWO (2) POWER MODULES (SYPM4K1) AND TWO (2) BATTERY MODULES (SYBT5), PROVIDING UP TO 8kVA POWER. A FURTHER POWER MODULE (SYPM4K1) CAN BE PURCHASED SEPARATELY AND INSTALLED IN THE SYSTEM, PROVIDING REDUNDANCY.
- △6. TWO (2) SYMMETRA LX PDU PANELS ARE PRE-INSTALLED, PROVIDING SIX (6) IEC 320 C19 AND EIGHT (8) IEC 320 C13 OUTLETS. ALTERNATIVE PANELS CAN BE PURCHASED SEPARATELY AND INSTALLED.
7. BLOCKS SHOWN WITH DASHED (-----) LINES REPRESENTS AVAILABLE SPACE/SLOTS FOR ADDITIONAL POWER MODULES AND BATTERY UNITS.
8. UP TO SEVEN (7) ADDITIONAL EXTENDED RUN BATTERY CABINETS CAN BE CONNECTED TO INCREASE THE RUNTIME FURTHER.
- △9. A SMALLER OUTPUT BREAKER MAY BE USED TO ALLOW CIRCUIT BREAKER COORDINATION, HOWEVER THIS MAY REDUCE THE MAXIMUM LOAD kVA SUPPORTED.

THIS DRAWING AND SPECIFICATIONS HEREIN ARE THE PROPERTY OF SCHNEIDER ELECTRIC AND SHALL NOT BE COPIED, REPRODUCED OR USED IN WHOLE OR IN PART, AS THE BASIS FOR THE MANUFACTURE OR SALE OF ITEMS WITHOUT WRITTEN PERMISSION FROM SCHNEIDER ELECTRIC. THIS DRAWING IS BASED UPON LATEST AVAILABLE INFORMATION AND IS SUBJECT TO CHANGE WITHOUT NOTICE.

**Schneider Electric**

TITLE: SYMMETRA LX 8kVA RACKMOUNT  
INPUT: 220/230/240VAC (1φ+N+G) 50/60Hz  
OR 380/400/415VAC (3φ+N+G) 50/60Hz  
OUTPUT: 220/230/240VAC 50/60Hz  
SYSTEM SINGLE-LINE DIAGRAM

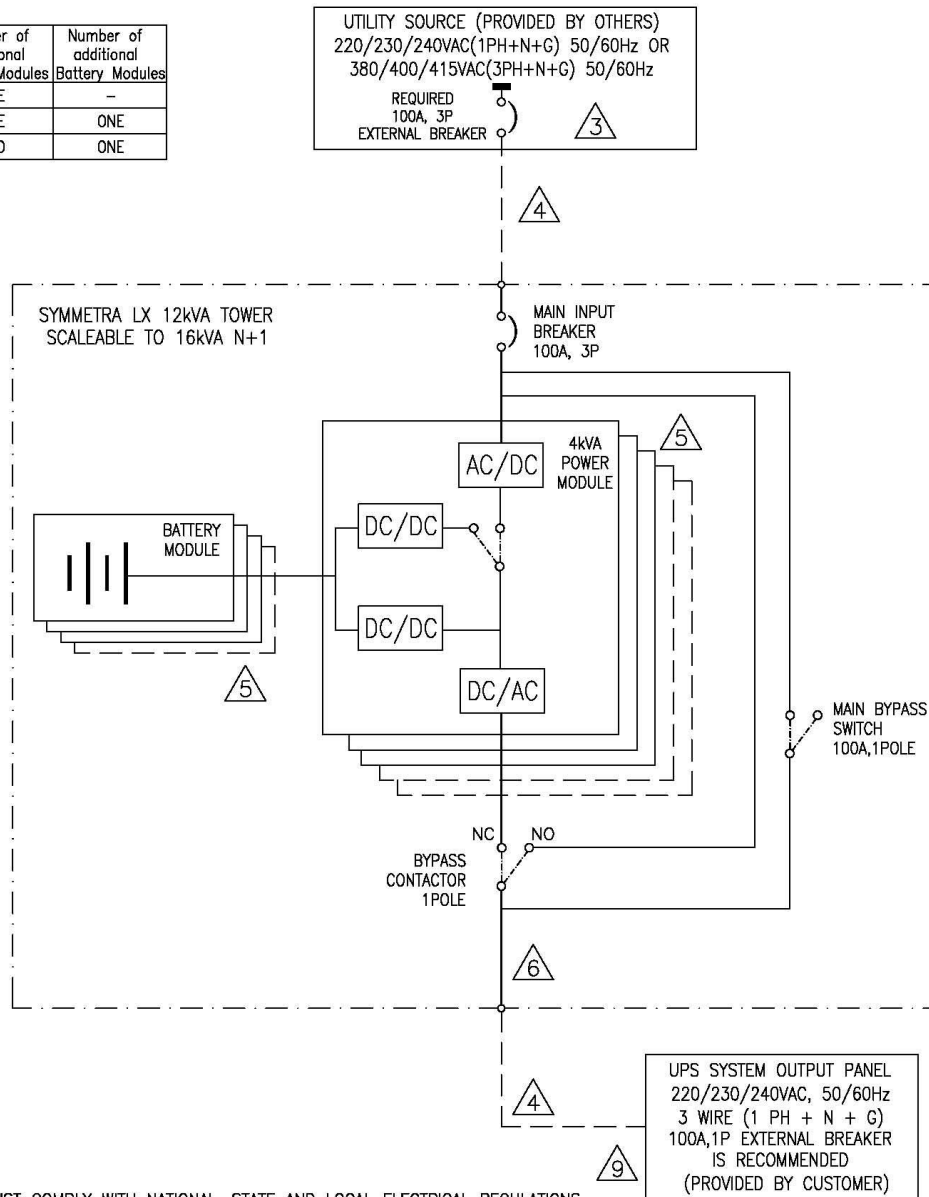
DWG NO:	SYA8K8RMI-SD	REV:	2
DRAWN:	S CUNHA	13-JAN-11	PROJ.
ENGINEER:	K WHITE	13-JAN-11	ANGLE
APPROVED:	N WHITING	13-JAN-11	N/A

PROJECT: SUBMITTAL DRAWINGS SHEET 1 OF 2

# SYA12K16I: Symmetra LX 12 kVA Scalable to 16 kVA N+1 Tower, 230 V

TABLE-1

Rating	Number of additional Power Modules	Number of additional Battery Modules
12kVA N+1	ONE	-
16kVA	ONE	ONE
16kVA N+1	TWO	ONE



NOTES:

1. INSTALLATION MUST COMPLY WITH NATIONAL, STATE AND LOCAL ELECTRICAL REGULATIONS.
2. PLEASE REFER TO PRODUCT DOCUMENTATION FOR FURTHER INFORMATION.
- △3. UTILITY SOURCE MUST BE 1PH 220/230/240VAC (1PH+N+G) 50/60Hz OR 3PH 380/400/415VAC(3PH+N+G) 50/60Hz PROVIDED BY OTHERS. NEUTRAL AND GROUND CONTINUITY IS SHOWN ON SHEET 2 OF THIS DRAWING.
- △4. DASHED LINES BETWEEN UNITS ( - - - - ) REPRESENT CABLING PROVIDED BY OTHERS.
- △5. THE SYMMETRA LX, SKU NUMBER SYA12K16I, IS SHOWN IN A N-REDUNDANT CONFIGURATION, HAVING THREE (3) POWER MODULES (SYPM4KI) AND THREE (3) BATTERY MODULES (SYBT5), PROVIDING UP TO 12kVA POWER. FURTHER POWER MODULES (SYPM4KI) AND BATTERY MODULE (SYBT5) CAN BE PURCHASED SEPARATELY AND INSTALLED IN THE SYSTEM IN ACCORDANCE WITH TABLE-1, PROVIDING SCALABILITY AND/OR REDUNDANCY.
- △6. UP TO FOUR (4), OPTIONAL, SYMMETRA LX PDU PANELS CAN BE PURCHASED SEPARATELY AND INSTALLED TO PROVIDE FURTHER LOAD CONNECTIONS.
7. BLOCKS SHOWN WITH DASHED (-----) LINES REPRESENTS AVAILABLE SPACE/SLOTS FOR ADDITIONAL POWER MODULES AND BATTERY UNITS.
8. UP TO SEVEN (7) ADDITIONAL EXTENSION BATTERY CABINETS CAN BE CONNECTED TO INCREASE THE RUNTIME FURTHER.
- △9. A SMALLER OUTPUT BREAKER MAY BE USED TO ALLOW CIRCUIT BREAKER COORDINATION, HOWEVER THIS MAY REDUCE THE MAXIMUM LOAD KVA SUPPORTED.

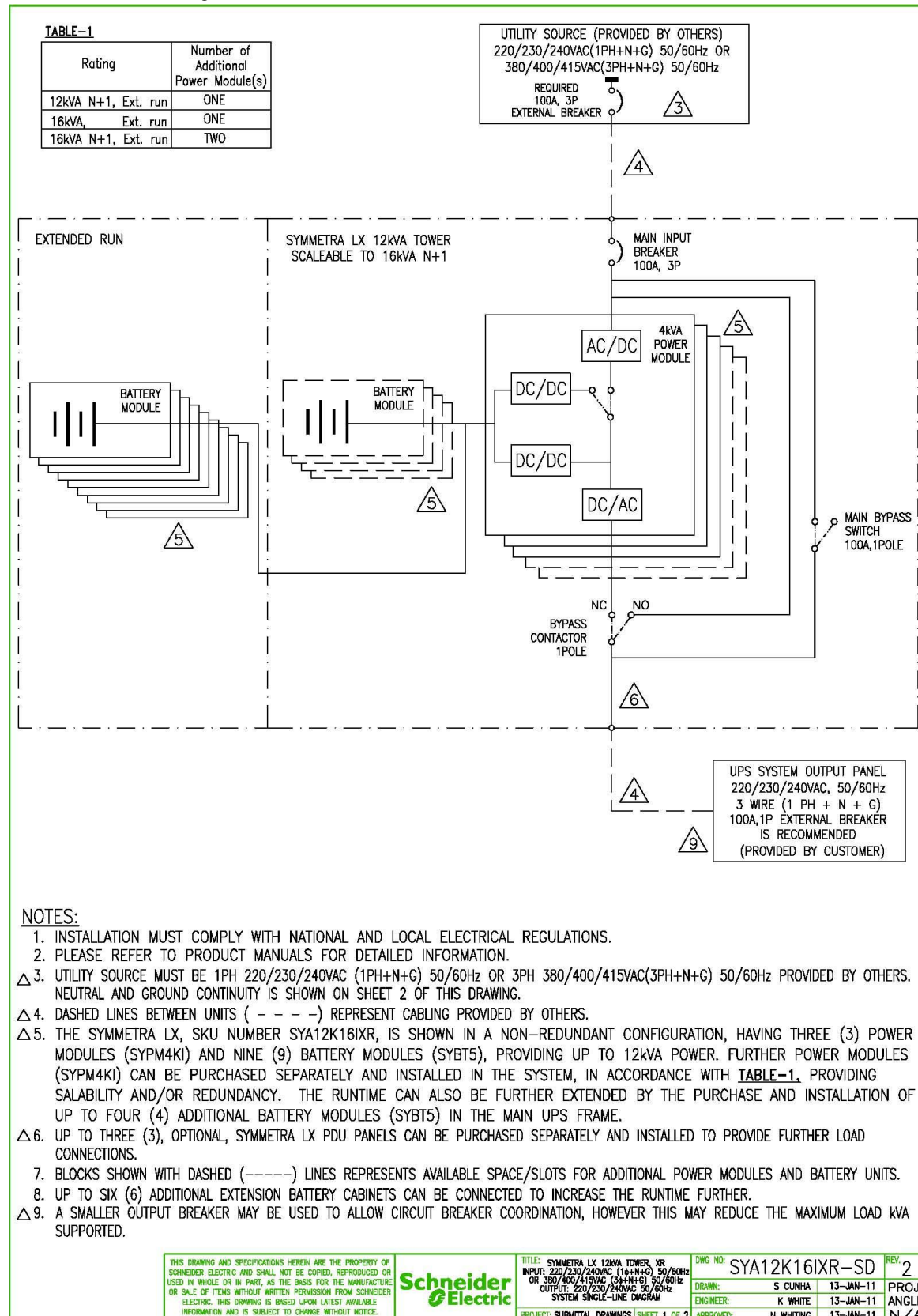
THIS DRAWING AND SPECIFICATIONS HEREIN ARE THE PROPERTY OF SCHNEIDER ELECTRIC AND SHALL NOT BE COPIED, REPRODUCED OR USED IN WHOLE OR IN PART, AS THE BASIS FOR THE MANUFACTURE OR SALE OF ITEMS WITHOUT WRITTEN PERMISSION FROM SCHNEIDER ELECTRIC. THIS DRAWING IS BASED UPON LATEST AVAILABLE INFORMATION AND IS SUBJECT TO CHANGE WITHOUT NOTICE.



TITLE: SYMMETRA LX 12kVA TOWER  
INPUT: 220/230/240VAC (1PH+N+G) 50/60Hz  
OR 380/400/415VAC (3PH+N+G) 50/60Hz  
OUTPUT: 220/230/240VAC 50/60Hz  
SYSTEM SINGLE-LINE DIAGRAM

DWG NO: SYA12K16I-SD  
REV: 2  
DRAWN: S CUNHA 13-JAN-11  
ENGINEER: K WHITE 13-JAN-11  
APPROVED: N WHITING 13-JAN-11  
PROJECT: SUBMITTAL DRAWINGS SHEET 1 OF 2  
PROJ: ANGLE  
N/A

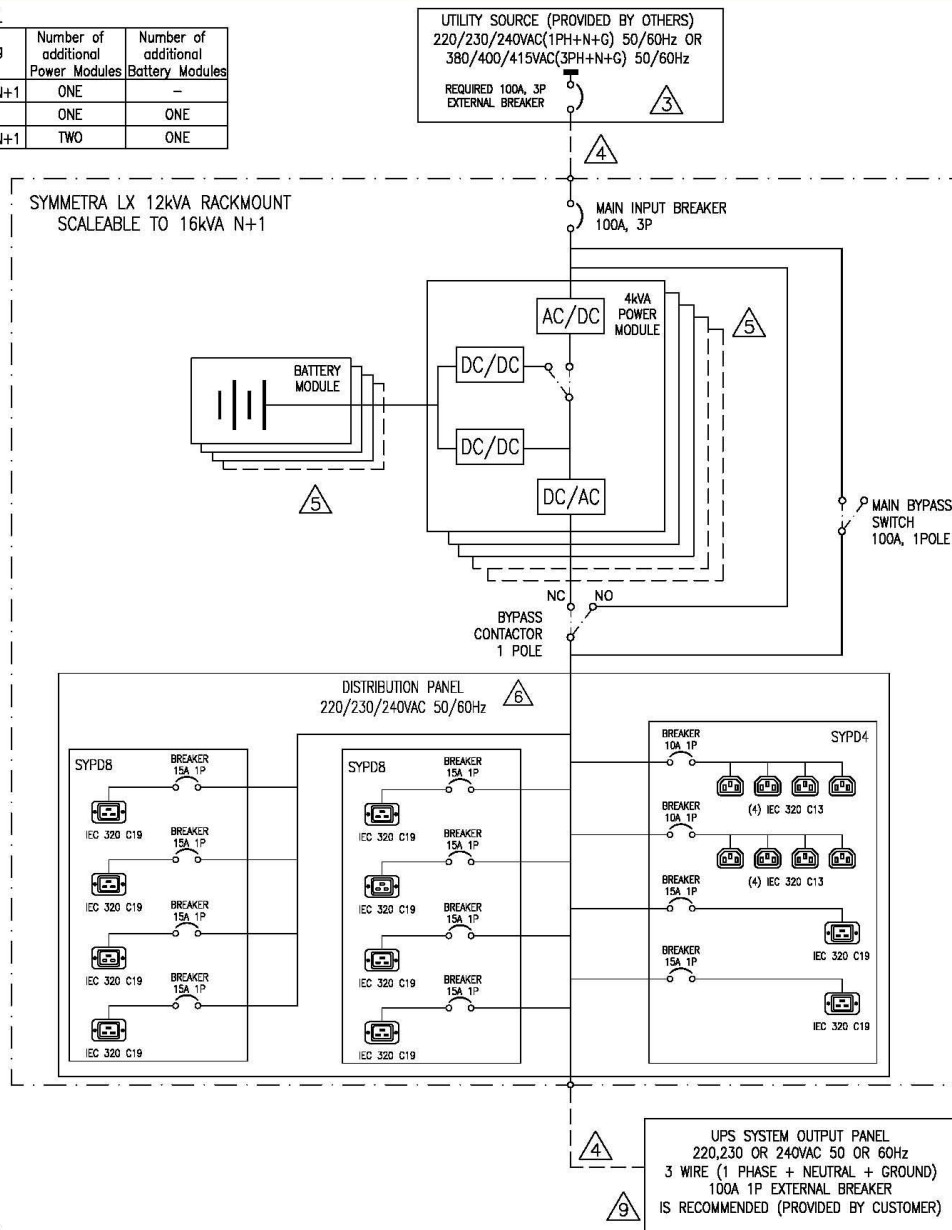
# SYA12K16IXR: Symmetra LX 12 kVA Scalable to 16 kVA N+1 Ext. Run Tower, 230 V



# SYA12K16RMI: Symmetra LX 12 kVA Scalable to 16 kVA N+1 Rack-Mount, 230 V

TABLE-1

Rating	Number of additional Power Modules	Number of additional Battery Modules
12kVA N+1	ONE	—
16kVA	ONE	ONE
16kVA N+1	TWO	ONE



**NOTES:**

1. INSTALLATION MUST COMPLY WITH NATIONAL, STATE AND LOCAL ELECTRICAL REGULATIONS.
2. PLEASE REFER TO PRODUCT DOCUMENTATION FOR FURTHER INFORMATION.
- △ 3. UTILITY SOURCE MUST BE 1PH 220/230/240VAC (1PH+N+G) 50/60Hz OR 3PH 380/400/415VAC(3PH+N+G) 50/60Hz PROVIDED BY OTHERS. NEUTRAL AND GROUND CONTINUITY IS SHOWN ON SHEET 2 OF THIS DRAWING.
- △ 4. DASHED LINES BETWEEN UNITS ( - - - - ) REPRESENT CABLING PROVIDED BY OTHERS.
- △ 5. THE SYMMETRA LX, SKU NUMBER SYA12K16RMI, IS SHOWN IN A NON-REDUNDANT CONFIGURATION, HAVING THREE (3) POWER MODULES (SYPM4K1) AND THREE (3) BATTERY MODULES (SYBT5), PROVIDING UP TO 12KVA POWER. FURTHER POWER MODULES (SYPM4K1) AND BATTERY MODULE (SYBT5) CAN BE PURCHASED SEPARATELY AND INSTALLED IN THE SYSTEM IN ACCORDANCE WITH TABLE-1, PROVIDING SCALABILITY AND/OR REDUNDANCY.
- △ 6. THREE (3) SYMMETRA LX PDU PANELS ARE PRE-INSTALLED, PROVIDING TEN (10) IEC 320 C19 AND EIGHT (8) IEC 320 C13 OUTLETS, AN ADDITIONAL FOURTH (4th) PANEL CAN BE PURCHASED SEPARATELY AND INSTALLED TO PROVIDE ADDITIONAL OUTLETS.
7. BLOCKS SHOWN WITH DASHED (-----) LINES REPRESENTS AVAILABLE SPACE/SLOTS FOR ADDITIONAL POWER MODULES AND BATTERY UNITS.
8. UP TO SEVEN (7) ADDITIONAL EXTENDED RUN BATTERY CABINETS CAN BE CONNECTED TO INCREASE THE RUNTIME FURTHER.
- △ 9. A SMALLER OUTPUT BREAKER MAY BE USED TO ALLOW CIRCUIT BREAKER COORDINATION, HOWEVER THIS MAY REDUCE THE MAXIMUM LOAD KVA SUPPORTED.

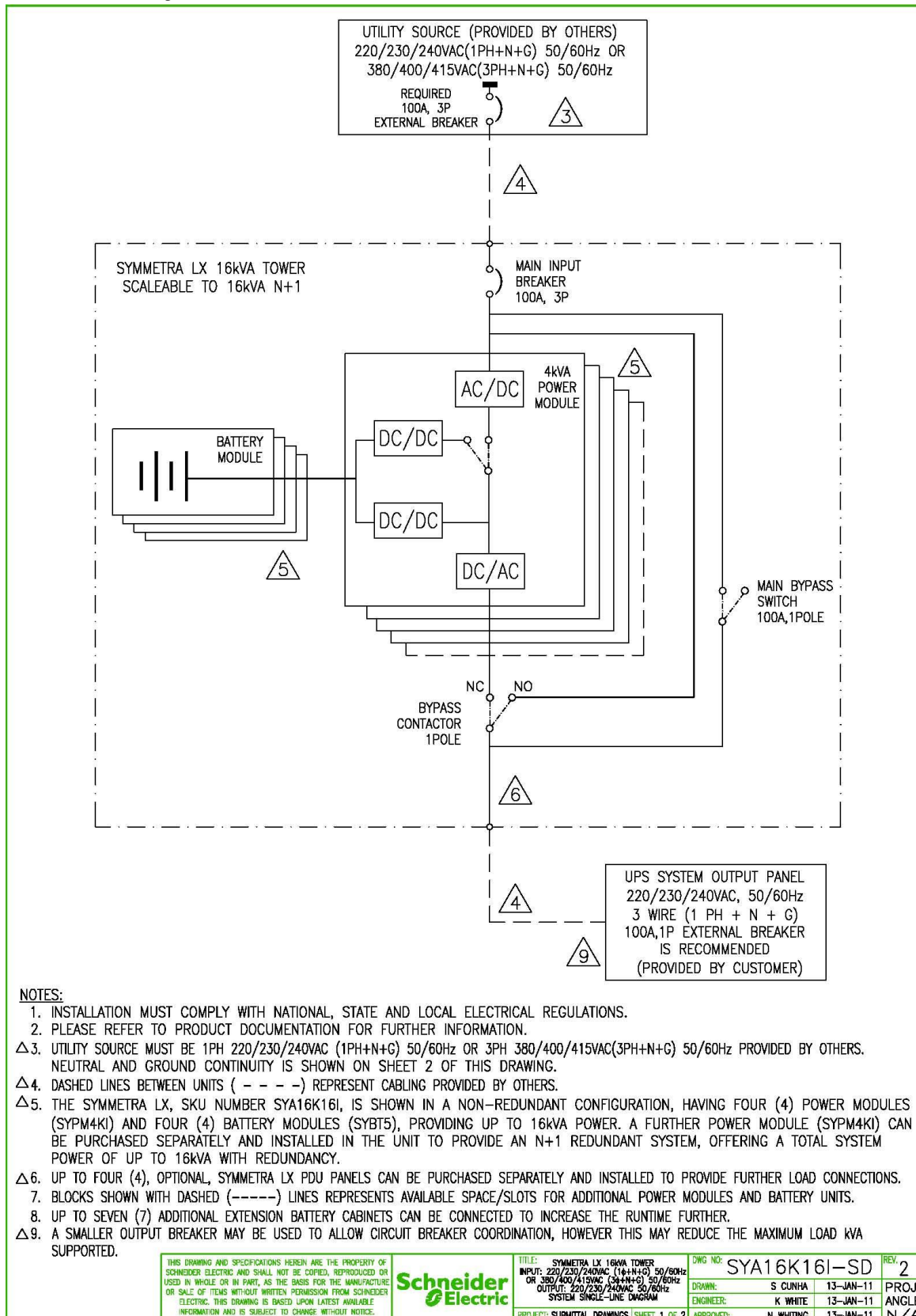
THIS DRAWING AND SPECIFICATIONS HEREIN ARE THE PROPERTY OF SCHNEIDER ELECTRIC AND SHALL NOT BE COPIED, REPRODUCED OR USED IN WHOLE OR IN PART, AS THE BASIS FOR THE MANUFACTURE OR SALE OF ITEMS WITHOUT WRITTEN PERMISSION FROM SCHNEIDER ELECTRIC. THIS DRAWING IS BASED UPON LATEST AVAILABLE INFORMATION AND IS SUBJECT TO CHANGE WITHOUT NOTICE.



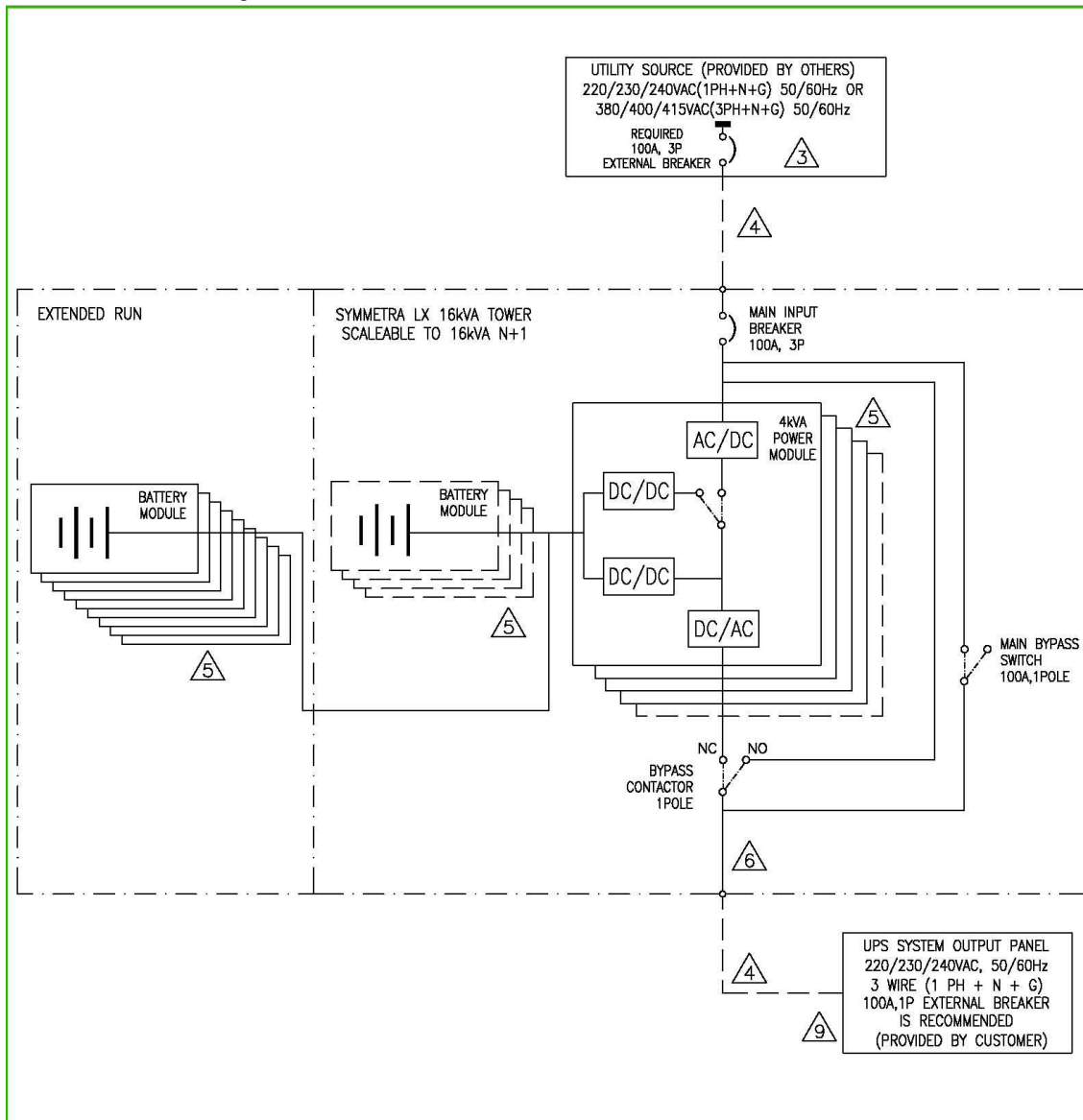
TITLE: SYMMETRA LX 12KVA RACKMOUNT  
 INPUT: 220/230/240VAC (1PH+N+G) 50/60Hz  
 OR 380/400/415VAC (3PH+N+G) 50/60Hz  
 OUTPUT: 220/230/240VAC 50/60Hz  
 SYSTEM SINGLE-LINE DIAGRAM

DWG NO: SYA12K16RMI-SD REV: 2  
 DRAWN: S CUNHA 13-JAN-11  
 ENGINEER: K WHITE 13-JAN-11  
 PROJECT: SUBMITTAL DRAWINGS SHEET 1 OF 2 APPROVED: N WHITING 13-JAN-11

# SYA16K16I: Symmetra LX 16 kVA Scalable to 16 kVA N+1 Tower, 230 V



# SYA16K16IXR: Symmetra LX 16 kVA Scalable to 16 kVA N+1 Ext. Run Tower, 230 V



**NOTES:**

1. INSTALLATION MUST COMPLY WITH NATIONAL AND LOCAL ELECTRICAL REGULATIONS.
2. PLEASE REFER TO PRODUCT MANUALS FOR DETAILED INFORMATION.
- △ 3. UTILITY SOURCE MUST BE 1PH 220/230/240VAC (1PH+N+G) 50/60Hz OR 3PH 380/400/415VAC(3PH+N+G) 50/60Hz PROVIDED BY OTHERS. NEUTRAL AND GROUND CONTINUITY IS SHOWN ON SHEET 2 OF THIS DRAWING.
- △ 4. DASHED LINES BETWEEN UNITS ( - - - - ) REPRESENT CABLING PROVIDED BY OTHERS.
- △ 5. THE SYMMETRA LX, SKU NUMBER SYA16K16IXR, IS SHOWN IN A NON-REDUNDANT CONFIGURATION, HAVING FOUR (4) POWER MODULES (SYPM4KI) AND NINE (9) BATTERY MODULES (SYBT5), PROVIDING UP TO 16kVA POWER. FURTHER POWER MODULE (1-SYPM4KI) CAN BE PURCHASED SEPARATELY AND INSTALLED IN THE SYSTEM TO PROVIDE AN N+1 REDUNDANT SYSTEM, OFFERING A TOTAL SYSTEM POWER OF UP TO 16kVA WITH REDUNDANCY. THE RUNTIME CAN ALSO BE FURTHER EXTENDED BY THE PURCHASE AND INSTALLATION OF UP TO FOUR (4) ADDITIONAL BATTERY MODULES (SYBT5) IN THE MAIN UPS FRAME.
- △ 6. UP TO THREE (3), OPTIONAL, SYMMETRA LX PDU PANELS CAN BE PURCHASED SEPARATELY AND INSTALLED TO PROVIDE FURTHER LOAD CONNECTIONS.
7. BLOCKS SHOWN WITH DASHED (-----) LINES REPRESENTS AVAILABLE SPACE/SLOTS FOR ADDITIONAL POWER MODULES AND BATTERY UNITS.
8. UP TO SIX (6) ADDITIONAL EXTENSION BATTERY CABINETS CAN BE CONNECTED TO INCREASE THE RUNTIME FURTHER.
- △ 9. A SMALLER OUTPUT BREAKER MAY BE USED TO ALLOW CIRCUIT BREAKER COORDINATION, HOWEVER THIS MAY REDUCE THE MAXIMUM LOAD KVA SUPPORTED.

THIS DRAWING AND SPECIFICATIONS HEREIN ARE THE PROPERTY OF SCHNEIDER ELECTRIC AND SHALL NOT BE COPIED, REPRODUCED OR USED IN WHOLE OR IN PART, AS THE BASIS FOR THE MANUFACTURE OR SALE OF ITEMS WITHOUT WRITTEN PERMISSION FROM SCHNEIDER ELECTRIC. THIS DRAWING IS BASED UPON LATEST AVAILABLE INFORMATION AND IS SUBJECT TO CHANGE WITHOUT NOTICE.



TITLE: SYMMETRA LX 16kVA TOWER, XR  
 INPUT: 220/230/240VAC (1PH+N+G) 50/60Hz  
 OR 380/400/415VAC (3PH+N+G) 50/60Hz  
 OUTPUT: 220/230/240VAC, 50/60Hz  
 SYSTEM SINGLE-LINE DIAGRAM

DWG NO:	SYA16K16IXR-SD	REV:	2
DRAWN:	S CUNHA	13-JAN-11	PROJ.
ENGINEER:	K WHITE	13-JAN-11	ANGLE
APPROVED:	N WHITING	13-JAN-11	N/A

PROJECT: SUBMITTAL DRAWINGS SHEET 1 OF 2



# Options

---

## Hardware Options

### Symmetra Battery Systems

APC Symmetra LX Extended Run Rack-mount with 3 SYBT5, 230 V	SYARMXR3B3I
APC Symmetra LX Extended Run Rack-mount with 9 SYBT5, 230 V	SYARMXR9B9I
APC Symmetra LX Extended Run Tower with 9 SYBT5, 230 V	SYAXR9B9I
APC Symmetra 3 Battery Rack-mount XR Frame, 230 V	SYBFXR3RMI
APC Symmetra LX 9 Battery Tower XR Frame, 230 V	SYBFXR9I
APC Symmetra LX 9 Battery Rack-mount XR Frame, 230 V	SYBFXR9RMI
APC Symmetra LX Battery Module	SYBT5
APC Symmetra LX Battery Module (with flame-retardant case)	SYBT5FR

### Symmetra Battery Cables

APC Symmetra LX basic battery cabinet cable	SYAOPT4
APC Symmetra LX 4.5 m battery cabinet cable – 230 V	SYAOPT5I
APC Symmetra RM and LX 1.22 m (4 ft) extender battery cable for 220-240 V RM & LX XR battery cabinets	SYOPT4I

### Interface Cables

UPS Communications Cable Simple-Signaling	940-0020
UPS Communication Cable Smart-Signaling	940-0024
UPS Communications Cable Smart-Signaling 4.5 m/15 ft	AP9804
5 m /15 ft Extension Cable for use with UPS communications cable	AP9815
UNIX Basic Signaling Cable	AP9823
UPS Isolate Serial Extension Cable (15 m)	AP9825I
UPS Communication Cable for IBM AS/400 (Vendor-specific cable)	940-0006
Cisco Unity Express UPS Simple Signaling Cable (Vendor-specific cable)	AP9840

### UPS Network Management Cards

UPS Network Management Card with Environmental Monitoring and Out-of-Band Management	AP9618
UPS Network Management Card 3	AP9630
UPS Network Management Card 3 with Environmental Monitoring	AP9631

## **Additional Management Cards and Options**

SmartSlot Expansion Chassis	AP9600
SmartSlot Triple Chassis Black	AP9604BLK
Relay I/O SmartSlot Card for dry contact management	AP9610
Out-of-Band Management SmartSlot Card	AP9608

## **Rack-Mounting Hardware**

Symmetra LX module CTO kit – UPS Frame	SYAOPT2
Symmetra LX module CTO kit –XR3 Frame	SYAOPT2XR3
Symmetra LX module CTO kit – XR9 Frame	SYAOPT2XR9
Symmetra LX Four-Post Rack-Mounting Rails	SYAOPT1
Symmetra LX/Symmetra RM Two-Post Rail Kit	SYOPT12

## **Maintenance Bypass Panels**

APC Service Bypass Panel – 200 V/208 V/240 V; 100 A; MBB; Hardwire input/output	SBP16KP
APC Service Bypass Panel –230 V; 100 A; MBB; Hardwire input; (3) 30 A Hardwire Output	SBP16KRMI4U

## **Isolation Transformers**

APC WW 10 kVA Isolation Transformer	APTF10KW01
APC WW 20 kVA Isolation Transformer	APTF20KW01
APC Smart-UPS RT 3000 VA 230 V Isolation Transformer (also an option for Symmetra LX)	SURT001
APC Smart-UPS RT 5000 VA 230 V Isolation Transformer (also an option for Symmetra LX)	SURT002

## **Power Distribution Units**

Rack PDU, Basic, Zero U, 16 A, 230 V, (20) C13, and (4) C19; IEC C20	AP7552
Rack PDU Extender, Basic, 2U, 32 A, 230 V, (4) IEC C19	AP7585
Rack PDU Extender, Basic, 2U, 32 A, 230 V, (4) IEC 309-32	AP7586
Rack PDU, Basic, 1U, 16 A, 208 V/230 V, (10) C13, and (2) C19	AP9559
Rack PDU, Basic, 1U, 16 A, 208 V/230 V, (12) C13	AP9565
Rack PDU, Basic, Zero U, 10 A, 230 V, (15) C13	AP9568
Rack PDU, Basic, Zero U, 16 A, 208 V/230 V, (15) C13	AP9572
Rack PDU, Basic, Zero U, 22 kW, 400 V, (6) C19 & (3) C13	AP7555A
Rack PDU, Metered, 1 U, 12 A/208 V, 10 A/230 V, (8) C13	AP7820
RACK PDU, Metered, 2 U, 32 A, 230 V, (12) C13S and (4) C19	AP7822
Rack PDU, Metered, Zero U, 10 A, 230 V, (16) C13	AP7850
Rack PDU 2G, Metered, Zero U, 20 A/208 V, 16 A/230 V, (18) C13, and (2) C19	AP8858
Rack PDU, Switched, 1 U, 12 A/208 V, 10 A/230 V, (8) C13	AP7920
Rack PDU, Switched, 1 U, 16 A, 208 V/230 V, (8) C13	AP7921
Rack PDU, Switched, Zero U, 10 A, 230 V, (16) C13	AP7950
Rack PDU 2G, Switched, Zero U, 20 A/208 V, 16 A/230 V, (7) C13 and (1) C19	AP8958

Rack PDU 2G, Switched, Zero U, 20 A/208 V, 16 A/230 V, (21) C13 and (3) C19 AP8959

### **Backplates and Panels**

Symmetra RM 230 V Backplate kit with (2) IEC 320 C19 and (1) IEC 60309 SYPD10

Symmetra PDU Airflow Management Blanking Panel SYPD2

Symmetra RM 220-240 V Backplate Kit with (8) IEC 320 C13 and (2) IEC 320 C19 SYPD4

Symmetra RM 2-6 kVA 230 V Hardwire Kit SYPD9

SY RM PDU 4XC19 SYPD8

### **Rack-mount Transfer Switches**

Rack ATS, 10 A/230 V, 12 A/208 V, C14 IN, (12) C13 OUT AP7721

Rack ATS, 20 A/208 V, 16 A/230 V, C20 IN, (8) C13 (1) C19 OUT AP7723

### **Power Modules for N+1 Redundancy**

Symmetra LX 4 kVA Power Module, 220 V/230 V/240 V SYPM4KI

### **Parts and Accessories**

Symmetra LX frame electronics module – 230 V SYAFSU13I

Symmetra LX Input/Output wiring tray – 230 V SYAFSU14I

Symmetra LX Communications Card SYAFSU15

Symmetra LX 13 U replacement door SYAFSU2

Symmetra LX 19 U replacement door SYAFSU3

Symmetra LX 32 U replacement door SYAFSU5

Symmetra LX Castor kit – left front, right rear SYAFSU6

Symmetra LX Castor kit – right front, left rear SYAFSU7

Symmetra LX top panel SYAFSU8

Symmetra LX 13 U left side panel SYAFSU9L

Symmetra LX 19 U left side panel SYAFSU10L

Symmetra LX 32 U left side panel SYAFSU12L

Symmetra LX 13 U right side panel SYAFSU9R

Symmetra LX 19 U right side panel SYAFSU10R

Symmetra LX 32U right side panel SYAFSU12R

### **Power Cords and Adapters**

Power Cord Kit (6 each), Locking, C13 to C14 (90 Degree), 0.6 m AP8702R

Power Cord Kit (6 each), Locking, C13 to C14, 0.6 m AP8702S

Power Cord Kit (6 each), Locking, C13 to C14 (90 Degree), 1.2 m AP8704R

Power Cord Kit (6 each), Locking, C13 to C14, 1.2 m AP8704S

Power Cord Kit (6 each), Locking, C13 to C14 (90 Degree), 1.8 m AP8706R

Power Cord Kit (6 each), Locking, C13 to C14, 1.8 m AP8706S

Power Cord Kit (6 each), Locking, C19 to C20 (90 Degree), 0.6 m	AP8712R
Power Cord Kit (6 each), Locking, C19 to C20, 0.6 m	AP8712S
Power Cord Kit (6 each), Locking, C19 to C20 (90 Degree), 1.2 m	AP8714R
Power Cord Kit (6 each), Locking, C19 to C20, 1.2 m	AP8714S
Power Cord Kit (6 each), Locking, C19 to C20 (90 Degree), 1.8 m	AP8716R
Power Cord Kit (6 each), Locking, C19 to C20, 1.8 m	AP8716S
Power Cord, Locking, C19 to C20, 3.0 m	AP8760
Power Cord, C13 to C14, 2.5 m	AP9870
Power Cord, C19 to C20, 2.0 m	AP9877
Power Cord, C19 to C14, 2.0 m	AP9878
Power Cord, C13 to C20, 2.0 m	AP9879
Power Cord, C19 to C20, 4.5 m	AP9887
Power Cord Kit (6 each), C19 to C20 (90 degree), 0.6 m	AP98892F
Power Cord Kit (6 each), C19 to C20 (90 degree), 1.2 m	AP98894F
Power Cord Kit (6 each), C19 to C20 (90 degree), 1.8 m	AP98896F
Power Cord Kit (5 each), C13 to C14, 0.6 m	AP9890
Power Cord, C14 to CEE 7/7 Schuko, 0.6 m	AP9880
Power Cord, C14 to BS1363 (UK), 0.6 m	AP9881
Power Cord, Locking C19 to CEE/7 Schuko, 3.0 m	AP8755
Power Cord, Locking C19 to BS1363A (UK), 3.0 m	AP8756
Power Cord, Locking C19 to IEC 309 16 A, 3.0 m	AP8758
Power Cord, Locking C19 to Rewireable, 3.0 m	AP8759
Power Cord, C19 to CEE/7 Schuko, 2.5 m	AP9875
Power Cord, C19 to IEC 309 16 A, 2.5 m	AP9876
Power Cord, C19 to BS1363A (UK), 2.4 m	AP9895

## Software Options

StruxureWare™ Central Basic	AP9465
StruxureWare Central Standard	AP9470
StruxureWare Central Enterprise	AP9475
StruxureWare Central Standard Management Pack	AP9480
StruxureWare Central Basic Management Pack	AP9482
StruxureWare Central Enterprise Management Pack	AP9485



**NOTE:** All Symmetra LX Rack-Mount models are certified for use with StruxureWare management software certified

# Limited Warranty

---

Schneider Electric IT Corporation (SEIT) warrants its products to be free from defects in materials and workmanship for a period of two years from the date of purchase, except in India where the period is one year for battery module(s). Its obligation under this warranty is limited to repairing or replacing, at its own sole option, any such defective products. To obtain service under warranty you must obtain a Returned Material Authorization (RMA) number from customer support (see Service in the *Symmetra LX Operations Manual*). Products must be returned with transportation charges prepaid and must be accompanied by a brief description of the problem encountered and proof of date and place of purchase. This warranty does not apply to equipment that has been damaged by accident, negligence, or misapplication or has been altered or modified in any way. This warranty applies only to the original purchaser who must have properly registered the product within 10 days of purchase.

**EXCEPT AS PROVIDED HEREIN, AMERICAN POWER CONVERSION MAKES NO WARRANTIES, EXPRESSED OR IMPLIED, INCLUDING WARRANTIES OF MERCHANTABILITY AND FITNESS FOR A PARTICULAR PURPOSE.** Some states do not permit limitation or exclusion of implied warranties; therefore, the aforesaid limitation(s) or exclusion(s) may not apply to the purchaser.

**EXCEPT AS PROVIDED ABOVE, IN NO EVENT WILL APC BE LIABLE FOR DIRECT, INDIRECT, SPECIAL, INCIDENTAL, OR CONSEQUENTIAL DAMAGES ARISING OUT OF THE USE OF THIS PRODUCT, EVEN IF ADVISED OF THE POSSIBILITY OF SUCH DAMAGE.** Specifically, APC is not liable for any costs, such as lost profits or revenue, loss of equipment, loss of use of equipment, loss of software, loss of data, costs of substitutes, claims by third parties, or otherwise. This warranty gives you specific legal rights and you may have other rights that vary from state to state.

## Schneider Electric Worldwide Customer Support

Customer support is available at no charge via e-mail or telephone. Contact information is available at [www.se.com](http://www.se.com).

## Schneider Electric

35 rue Joseph Monier  
92500 Rueil Malmaison - France  
Phone: +33 (0) 1 41 29 70 00  
[www.se.com](http://www.se.com)

As standards, specifications, and designs change from time to time, please ask for confirmation of the information given in this publication.

© 2025 Schneider Electric. All Rights Reserved.