

Installation Guide SMT2200 and SMT3000 Optional Replacement PDU

Important Safety Messages

Read the instructions carefully. Become familiar with the device before trying to install, operate, service or maintain it. The following special messages may appear throughout this document or on the equipment to warn of potential hazards or to call attention to information that clarifies or simplifies a procedure.



The addition of this symbol to a Danger or Warning product safety label indicates that an electrical hazard exists that will result in personal injury if the instructions are not followed.



The addition of this symbol to a Warning or Caution product safety label indicates that a hazard exist that can result in injury and product damage if the instructions are not followed.

⚠ DANGER

DANGER indicates a hazardous situation which, if not avoided, will result in death or serious injury.

⚠ WARNING

WARNING indicates a hazardous situation which, if not avoided, could result in death or serious injury.

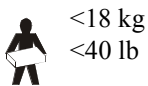
⚠ CAUTION

CAUTION indicates a hazardous situation which, if not avoided, could result in minor or moderate injury.

NOTICE

NOTICE is used to address practices not related to physical injury.

Product Handling Guidelines



<18 kg
<40 lb



18-32 kg
40-70 lb



32-55 kg
70-120 lb



>55 kg
>120 lb



Hardwire safety

- Check that all branch circuit (mains) and low voltage (control) circuits are deenergized, and locked out before installing cables or making connections, whether in the junction box or to the UPS.
- Wiring by a qualified electrician is required.
- Check national and local codes before wiring.
- Strain relief is required for all hardwiring (supplied with select products). Snap in type strain reliefs are recommended.
- All openings that allow access to UPS hardwire terminals must be covered. Failure to do so may result in personal injury or equipment damage.
- Select wire size and connectors according to national and local codes.

Installation

⚠ WARNING

RISK OF ELECTRIC SHOCK

- Adhere to all national and local electrical codes. A certified electrician must perform all electrical connections.
- Disconnect equipment connected to the UPS.
- Press the OFF button located in front of the UPS.
- Disconnect the batteries in the UPS.
- Disconnect UPS from the AC utility power.

Failure to follow this instruction can result in death, serious injury, or equipment damage.

Note: The illustrations in this manual may differ slightly in appearance from the actual hardware.

Remove the five screws that secure the factory installed PDU panel to the UPS. Save the screws.

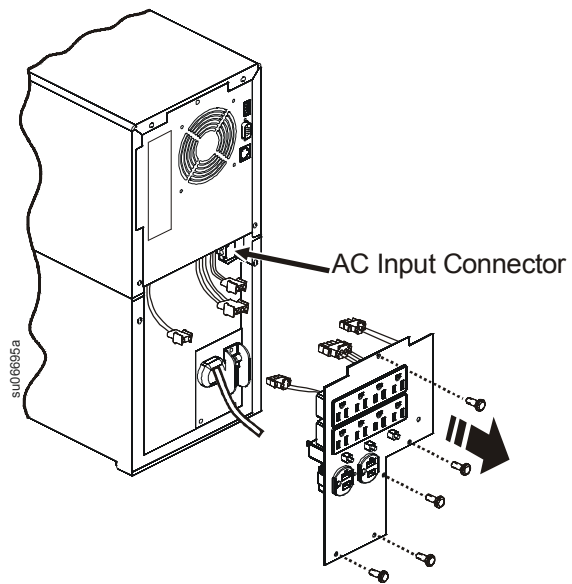
Disconnect the PDU output cables as shown in the diagrams.

Do not disconnect the AC input connector.

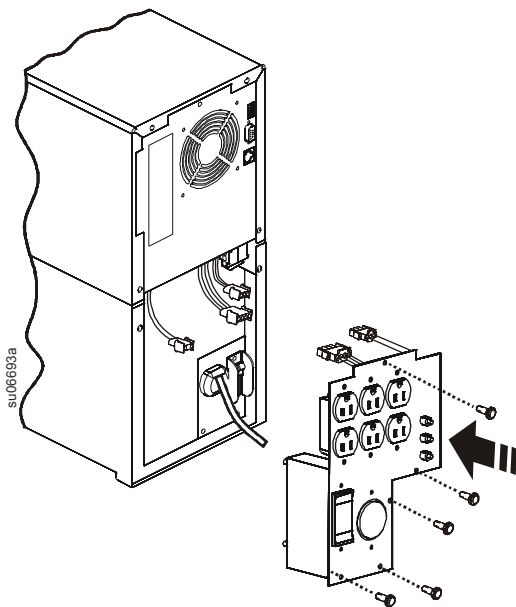
Locate and snap together the corresponding connectors on the UPS and the replacement PDU panel.

Note: The two pin connector will not be utilized with the replacement PDU panel.

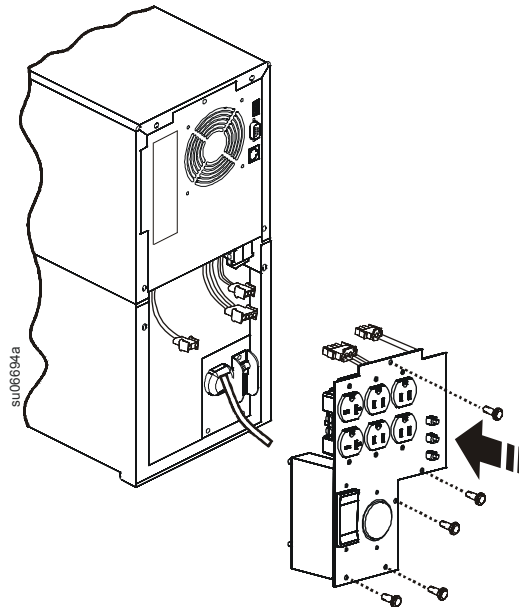
Secure the replacement PDU panel to the UPS with the screws removed from the factory installed PDU panel.



SUA027



SUA029



APC by Schneider Electric Worldwide Customer Support

Customer support for this or any other APC by Schneider Electric product is available at no charge in any of the following ways:

- Visit the APC by Schneider Electric web site to access documents in the APC by Schneider Electric Knowledge Base and to submit customer support requests.
 - **www.apc.com** (Corporate Headquarters)
Connect to localized APC by Schneider Electric web sites for specific countries, each of which provides customer support information.
 - **www.apc.com/support/**
Global support searching APC by Schneider Electric Knowledge Base and using e-support.
- Contact the APC by Schneider Electric Customer Support Center by telephone or e-mail.
 - Local, country specific centers: go to **www.apc.com/support/contact** for contact information.
 - For information on how to obtain local customer support, contact the APC by Schneider Electric representative or other distributor from whom you purchased your APC by Schneider Electric product.

Customer support and warranty information is available at the APC by Schneider Electric Web site, **www.apc.com**.