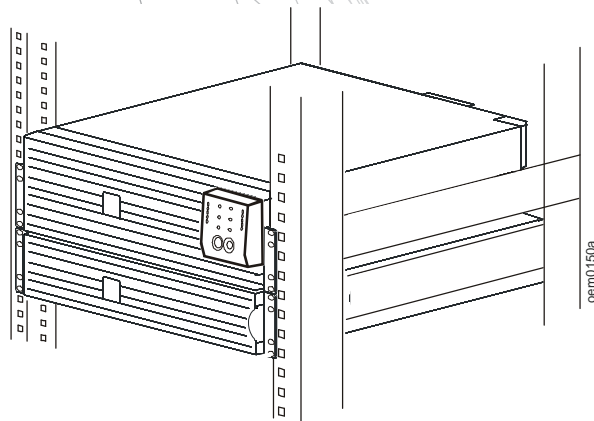


Installation

External Battery Pack

SURT192SR2XLBF



Overview

About the Product

The APC® by Schneider Electric SURT192SRXLBF External Battery Pack Frame connects to a Smart-UPS® SURT5KSR3UXIX438. Together, these units provide extended protection for electronic equipment from utility power blackouts, brownouts, sags, and surges; small utility fluctuations and large disturbances. They also provide battery backup power until utility power returns to safe levels or the batteries are fully discharged.

Safety and General Information



Read the safety guide included in the package before installing the UPS.

Inspect the XLBP upon receipt. Notify the carrier and dealer if there is damage.



Adhere to all national and local electrical codes.

A certified electrician must complete any electrical connections.

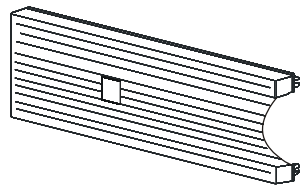


Recycle the packaging.

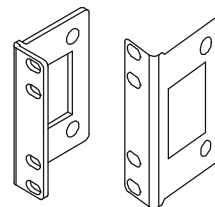
Inventory

Product documentation, carton containing the Rail Kit

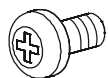
Hardware



Bezel
(1)



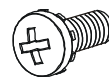
Rack-Mount brackets
(1 pair)



Ornamental screw
(4)



Flat head screws
(4)



Sems screws
(2)



Ground lead cable
(1)

Battery Replacement Cartridge

To order replacement battery cartridges APCRBC134, contact APC at www.apc.com.

Installation instructions are included in the replacement battery cartridge user manual.

Installation

Install Rails in Rack

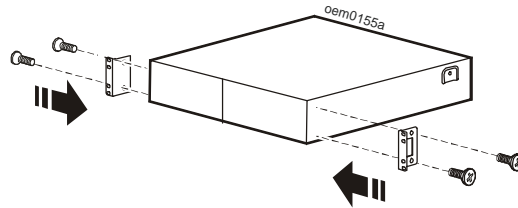
Rail installation instructions are included in the rail kit.

Install UPS in Rack

UPS installation instructions are provided in the UPS User Manual.

Install Rack-Mount Brackets on XLBP

Use two flat head screws (supplied), to secure each bracket to the UPS.



Install XLBP in Rack

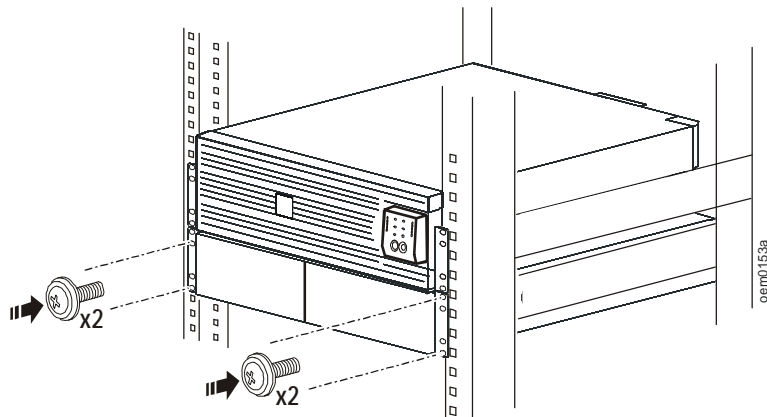


The UPS and XLBP(s) should be installed at or near the bottom of the rack.

Always place the UPS above the XLBP(s) in the rack.

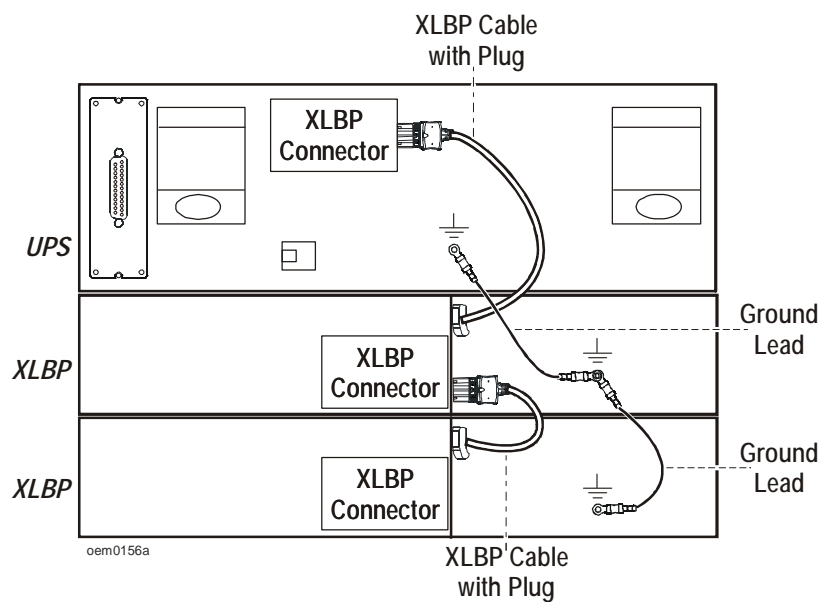
Refer to the APCRBC134 installation guide for instructions on battery installation.

Use two ornamental screws (supplied), to secure each bracket on the UPS to the rack.



Connect External Battery Pack(s) to UPS

1. Connect a ground cable from the XLBP to the UPS. Refer to the graphic below.
2. When multiple XLBPs are utilized, connect a ground cable to each XLBP. Refer to the graphic below.
3. Connect a battery cable from the XLBP to the UPS. Refer to the graphic below.
4. When multiple XLBPs are utilized, connect a battery cable to each XLBP. Refer to the graphic below.



© 2011 APC by Schneider Electric. APC, the APC logo, and Smart-UPS are owned by Schneider Electric Industries S.A.S., American Power Conversion Corporation, or their affiliated companies. All other trademarks are property of their respective owners.