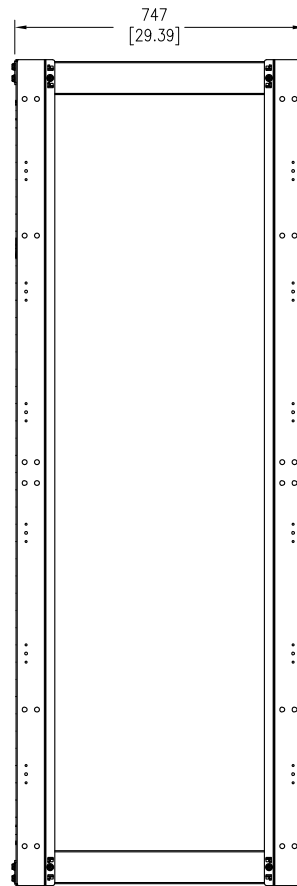
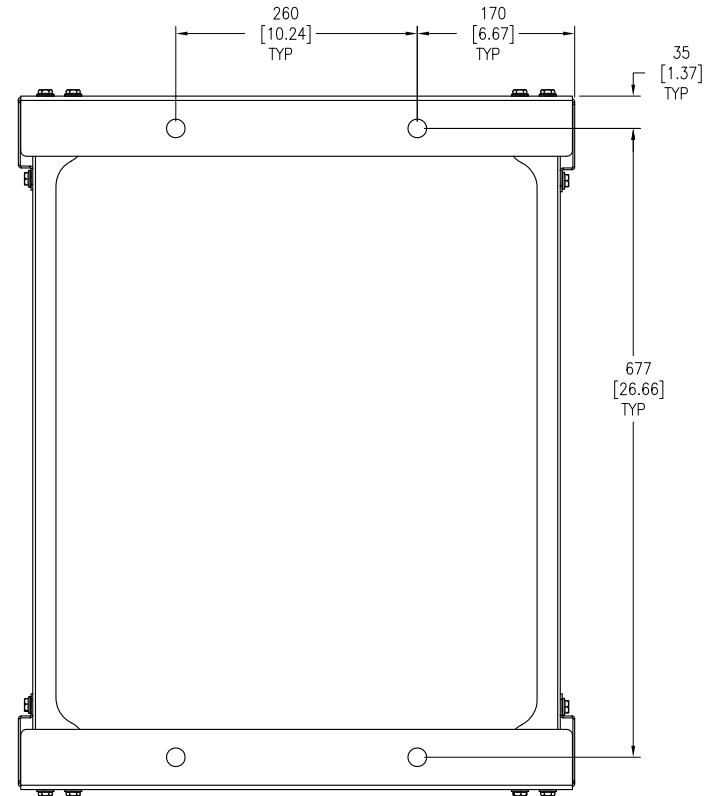


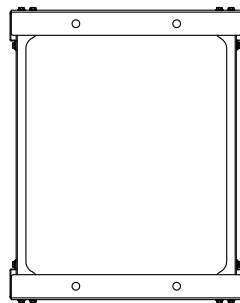
FRONT VIEW



LEFT SIDE VIEW



BOTTOM VIEW
(ENLARGED)



TOP VIEW

NOTES:

1. INSTALLATION SHALL COMPLY WITH ALL APPLICABLE NATIONAL, STATE AND LOCAL CODES.
2. SEE PRODUCT DOCUMENTATION FOR FURTHER INFORMATION.
3. UNLESS OTHERWISE SPECIFIED, ALL DIMENSIONS ARE IN MILLIMETERS [INCHES].
- △4. ITEM IS OPTIONAL AND IS SOLD SEPARATELY.
5. WEIGHT OF THE UNIT IS 40.32 KG [88.90 LBS]

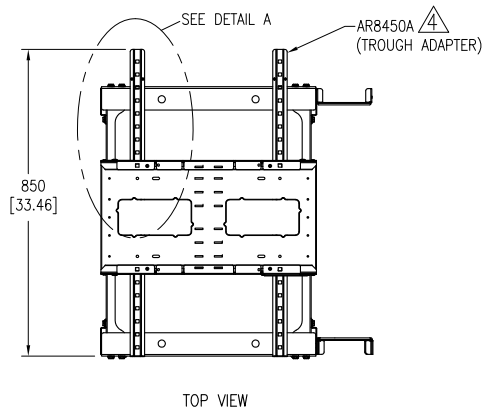
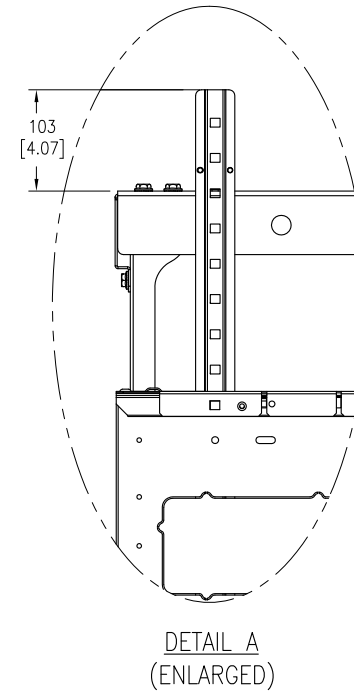
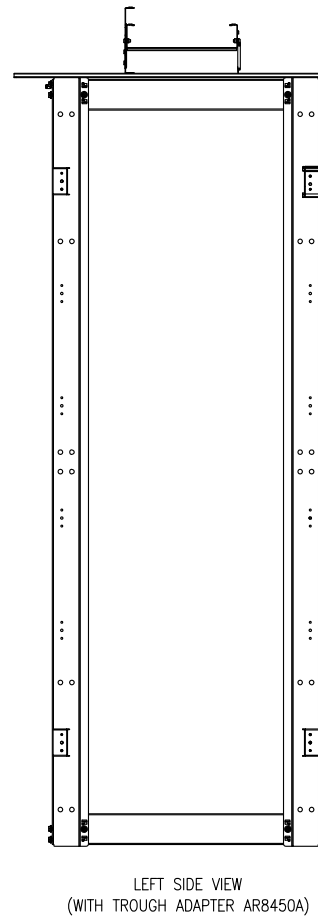
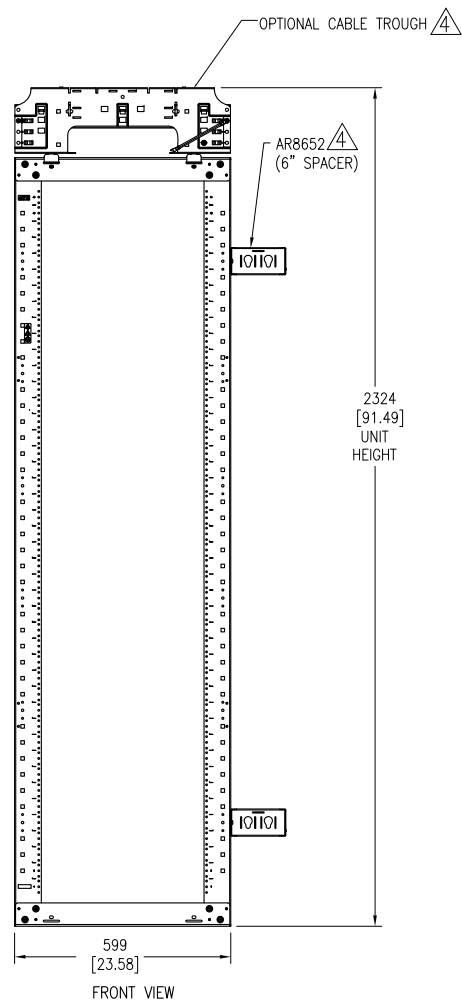
THIS DRAWING AND SPECIFICATIONS HEREIN ARE THE PROPERTY OF AMERICAN POWER CONVERSION AND SHALL NOT BE COPIED, REPRODUCED OR USED IN WHOLE OR IN PART, AS THE BASIS FOR THE MANUFACTURE OR SALE OF ITEMS WITHOUT WRITTEN PERMISSION FROM APC. THIS DRAWING IS BASED UPON LATEST AVAILABLE INFORMATION AND IS SUBJECT TO CHANGE WITHOUT NOTICE.



TITLE: NETSHELTER
4 POST OPEN FRAME RACK
44U #12-24 THREADED HOLES
GENERAL VIEWS

PROJECT: STD SUBMITTAL DRAWINGS SHEET 1 OF 4

DWG NO:	AR204A		REV:	0
DRAWN BY:	B ZAHN	06-JUN-09	FIRST ANGLE PROJECTION	
ENGINEER:	S RAMSAROOP	06-JUN-09		
APPROVED BY:	SHERMAN, E SIVAK, C LARSEN, S WERT	06-JUN-09		



NOTES:

1. INSTALLATION SHALL COMPLY WITH ALL APPLICABLE NATIONAL, STATE AND LOCAL CODES.
2. SEE PRODUCT DOCUMENTATION FOR FURTHER INFORMATION.
3. UNLESS OTHERWISE SPECIFIED, ALL DIMENSIONS ARE IN MILLIMETERS [INCHES].
- $\triangle 4$. ITEM IS OPTIONAL AND IS SOLD SEPARATELY.

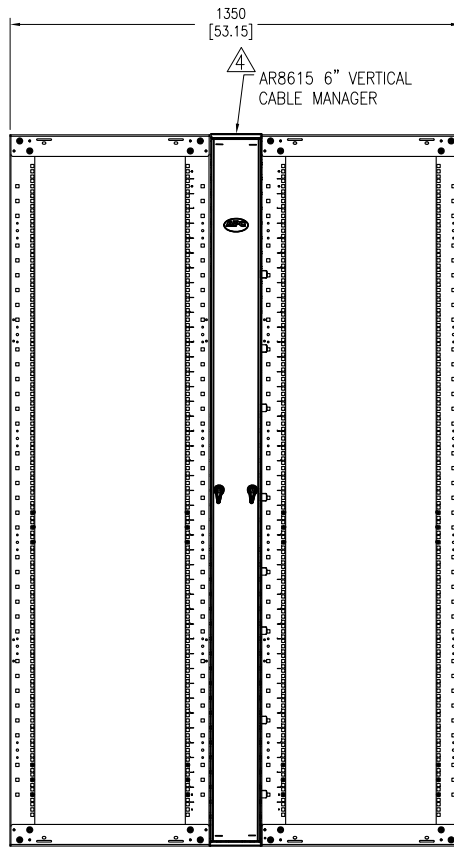
THIS DRAWING AND SPECIFICATIONS HEREIN ARE THE PROPERTY OF AMERICAN POWER CONVERSION AND SHALL NOT BE COPIED, REPRODUCED OR USED IN WHOLE OR IN PART, AS THE BASIS FOR THE MANUFACTURE OR SALE OF ITEMS WITHOUT WRITTEN PERMISSION FROM APC. THIS DRAWING IS BASED UPON LATEST AVAILABLE INFORMATION AND IS SUBJECT TO CHANGE WITHOUT NOTICE.

Schneider
Electric

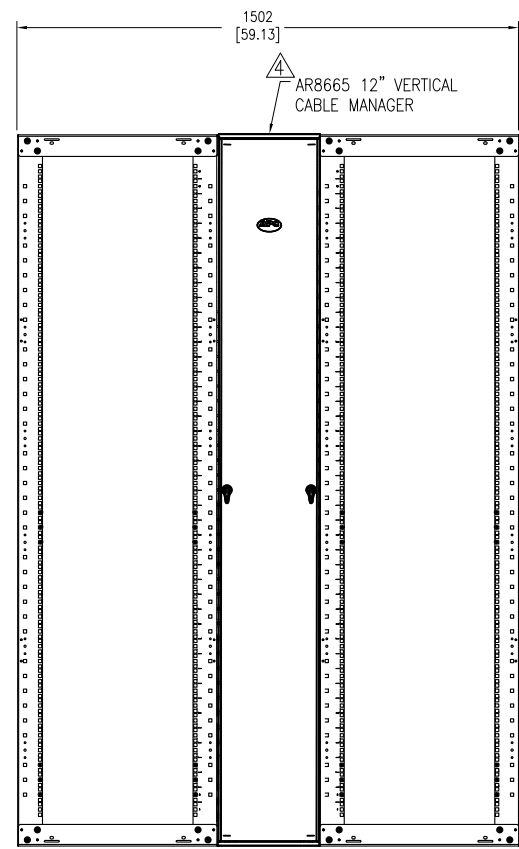
TITLE:
NETSHELTER
4 POST OPEN FRAME RACK
44U #12-24 THREADED HOLES
VIEWS WITH TROUGH, TROUGH ADAPTER & 6" SPACER

PROJECT: STD SUBMITTAL DRAWINGS SHEET 2 OF 4

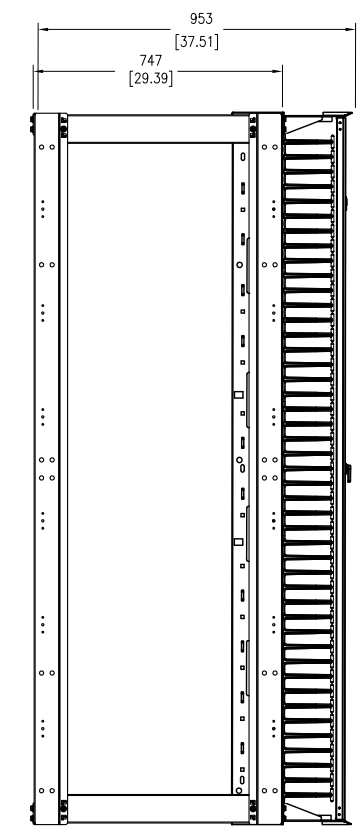
DWG NO:	AR204A	REV.	0
DRAWN BY:	B ZAHN	06-JUN-09	FIRST ANGLE PROJECTION
ENGINEER:	S RAMSAROOP	06-JUN-09	
APPROVED BY:	S SHERMAN, E SQUA, C LUKSEN, S WERT	06-JUN-09	



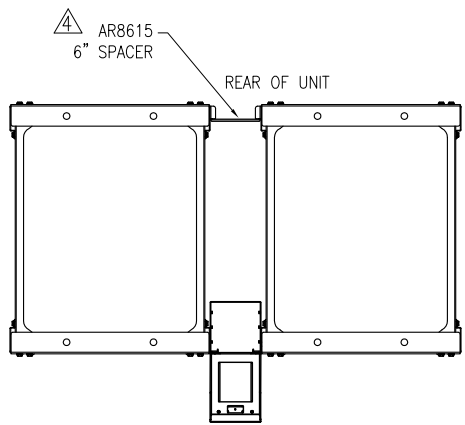
FRONT VIEW



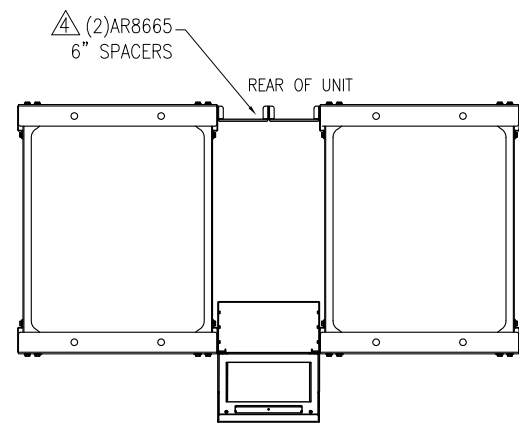
FRONT VIEW



LEFT SIDE VIEW



TOP VIEW



TOP VIEW

- NOTES:**
1. INSTALLATION SHALL COMPLY WITH ALL APPLICABLE NATIONAL, STATE AND LOCAL CODES.
 2. SEE PRODUCT DOCUMENTATION FOR FURTHER INFORMATION.
 3. UNLESS OTHERWISE SPECIFIED, ALL DIMENSIONS ARE IN MILLIMETERS [INCHES].
 4. ITEM IS OPTIONAL AND IS SOLD SEPARATELY.
 5. WEIGHT OF THE UNIT WITH AR8650 IS 91.55 KG [201.41 LBS]
WEIGHT OF THE UNIT WITH AR8651 IS 102.12 KG [224.66 LBS]

THIS DRAWING AND SPECIFICATIONS HEREIN ARE THE PROPERTY OF AMERICAN POWER CONVERSION AND SHALL NOT BE COPIED, REPRODUCED OR USED IN WHOLE OR IN PART, AS THE BASIS FOR THE MANUFACTURE OR SALE OF ITEMS WITHOUT WRITTEN PERMISSION FROM APC. THIS DRAWING IS BASED UPON LATEST AVAILABLE INFORMATION AND IS SUBJECT TO CHANGE WITHOUT NOTICE.



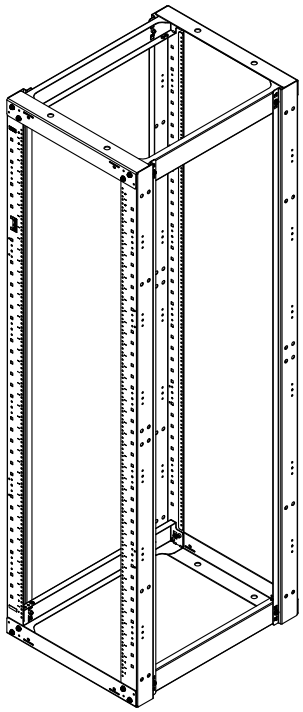
TITLE: NETSHELTER
4 POST OPEN FRAME RACK
44U #12-24 THREADED HOLES
2 RACKS BAYED WITH CABLE MANAGEMENT

PROJECT: STD SUBMITTAL DRAWINGS **SHEET** 3 OF 4

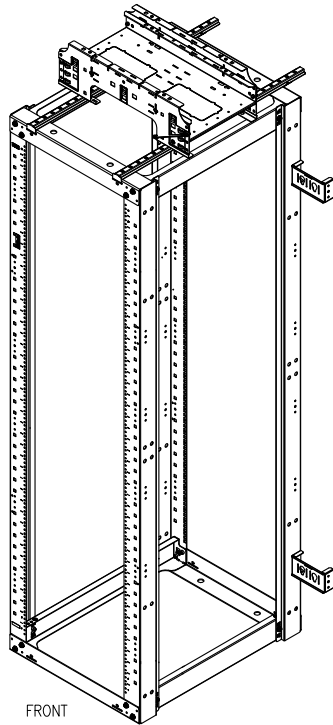
DWG NO: AR204A

DRAWN BY: B ZAHN/S CUNHA 09-JAN-14
ENGINEER: S RAMSAROOP 06-JUN-09
APPROVED BY: J KUMMER 09-JAN-14

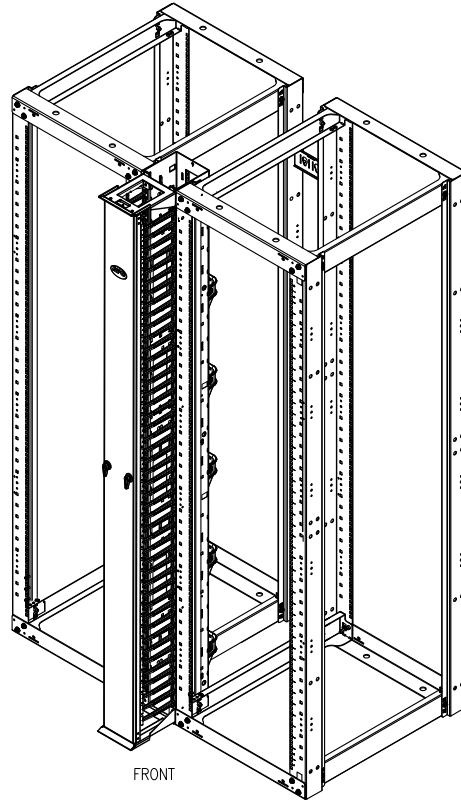
REV. 1
FIRST
ANGLE
PROJECTION



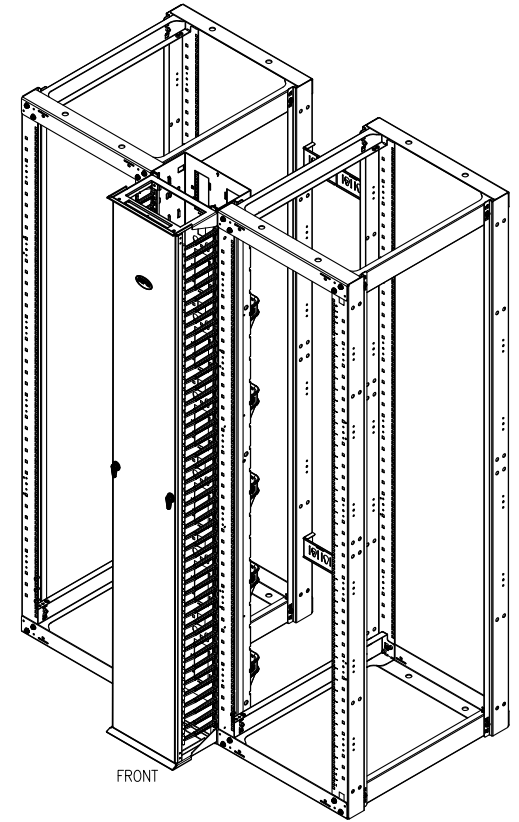
ISOMETRIC VIEW



ISOMETRIC VIEW
(WITH TROUGH ADAPTER AR8450A & 6" SPACER AR8652)



ISOMETRIC VIEW
(WITH 6" VERTICAL CABLE MANAGER AR8615 & 6" SPACER AR8652)



ISOMETRIC VIEW
(WITH 12" VERTICAL CABLE MANAGER AR8665 & (2) 6" SPACERS AR8652)

NOTES:

1. INSTALLATION SHALL COMPLY WITH ALL APPLICABLE NATIONAL, STATE AND LOCAL CODES.
2. SEE PRODUCT DOCUMENTATION FOR FURTHER INFORMATION.
3. TROUGHS, TROUGH ADAPTERS, CABLE MANAGER AND SPACERS ARE SHOWN FOR ILLUSTRATION ONLY. ALL ARE OPTIONAL AND ARE SOLD SEPARATELY.

THIS DRAWING AND SPECIFICATIONS HEREIN ARE THE PROPERTY OF AMERICAN POWER CONVERSION AND SHALL NOT BE COPIED, REPRODUCED OR USED IN WHOLE OR IN PART, AS THE BASIS FOR THE MANUFACTURE OR SALE OF ITEMS WITHOUT WRITTEN PERMISSION FROM APC. THIS DRAWING IS BASED UPON LATEST AVAILABLE INFORMATION AND IS SUBJECT TO CHANGE WITHOUT NOTICE.



TITLE: NETSHELTER
4 POST OPEN FRAME RACK
44U #12-24 THREADED HOLES
ISOMETRIC VIEWS

PROJECT: STD SUBMITTAL DRAWINGS SHEET 4 OF 4

DWG NO:	AR204A	REV:	1
DRAWN BY:	B ZAHN/S CUNHA	09-JAN-14	FIRST
ENGINEER:	S RAMSAROOP	06-JUN-09	ANGLE
APPROVED BY:	J KUMMER	09-JAN-14	PROJECTION