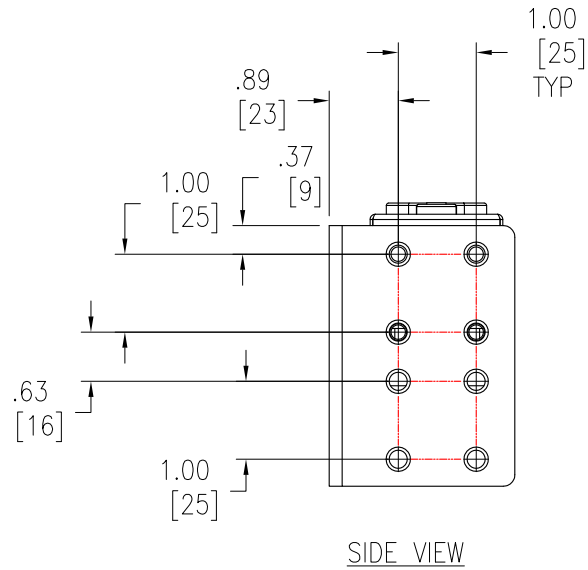
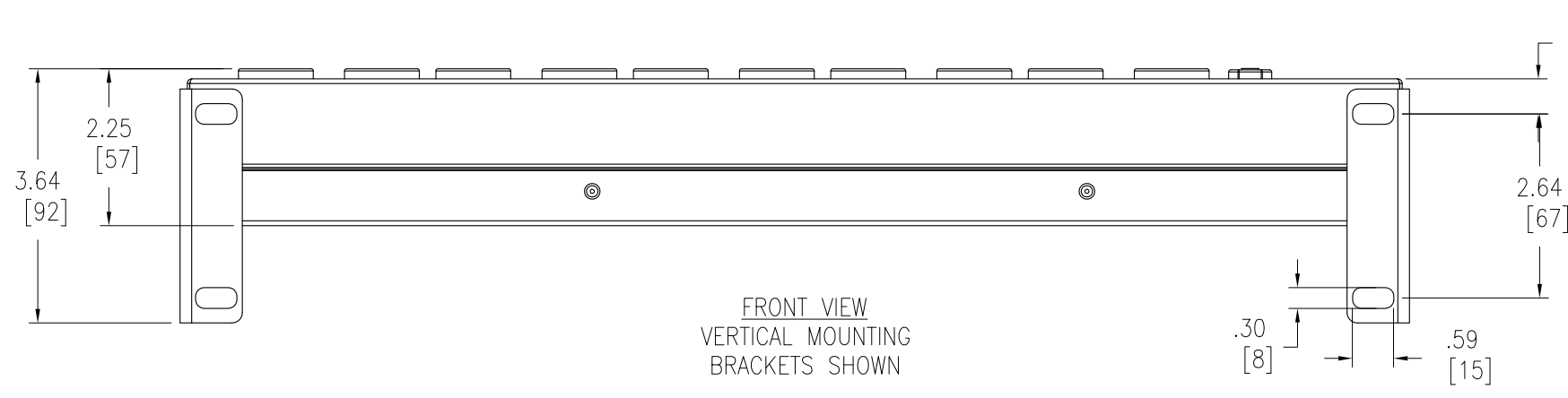
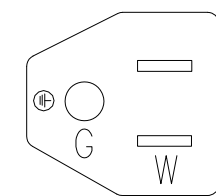
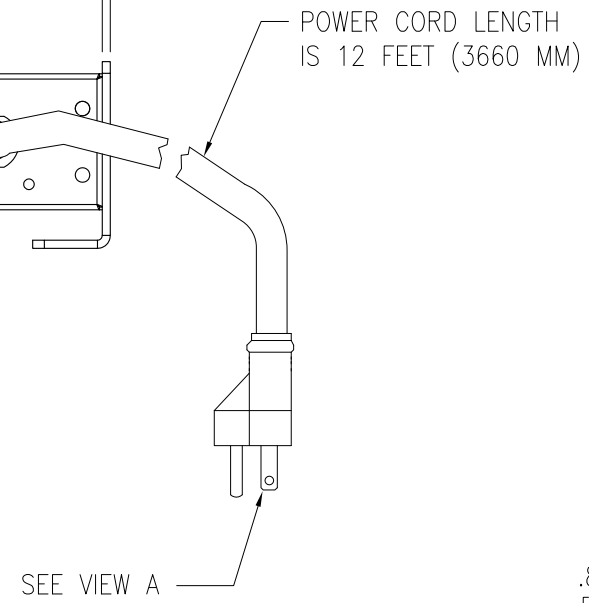
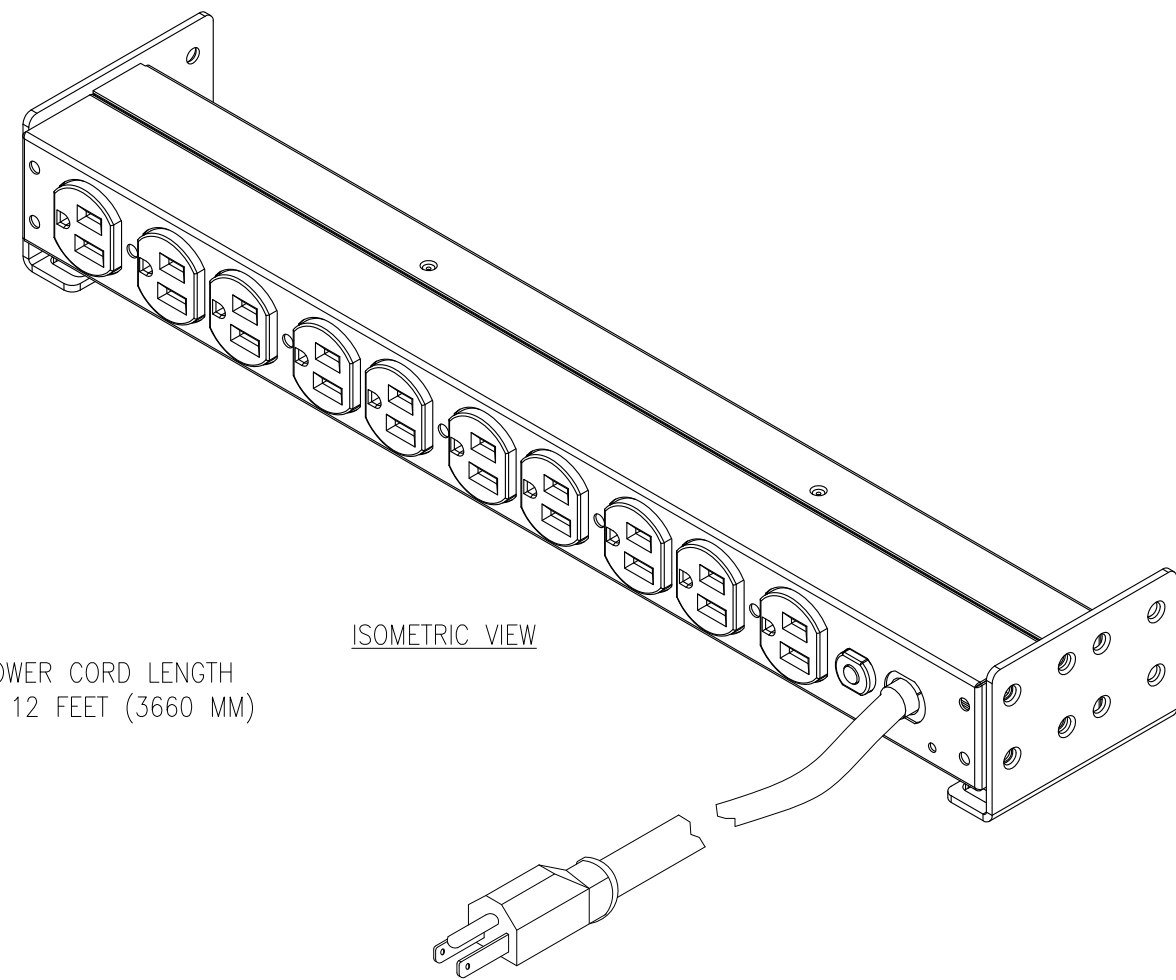
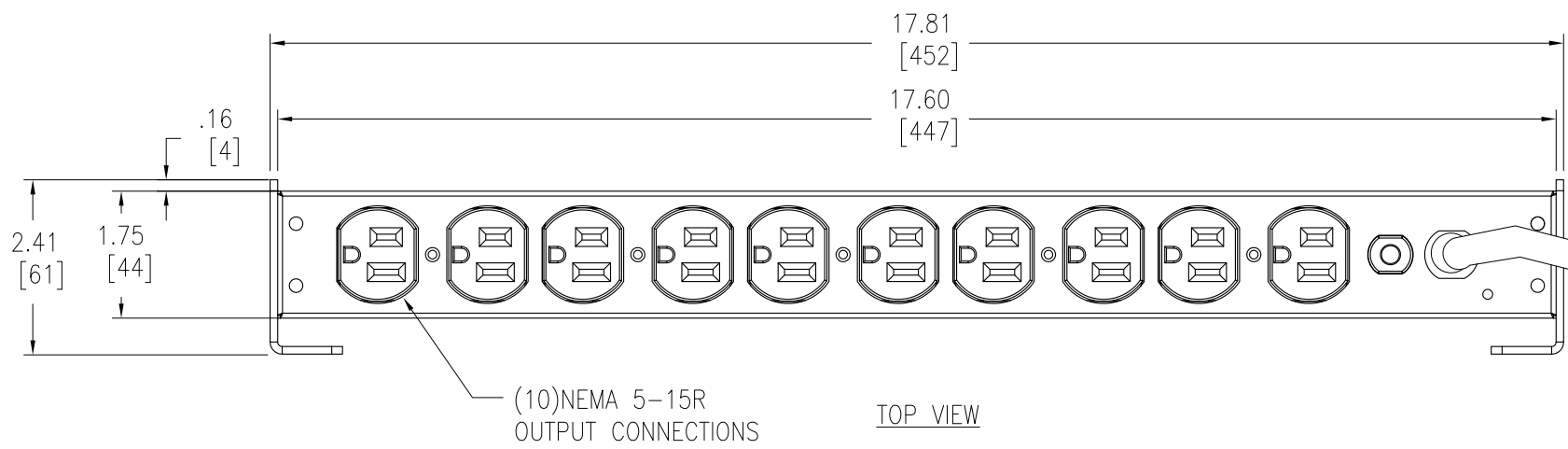


OPTION 1 – VERTICAL MOUNTING



NOTES:

1. INSTALLATION SHALL COMPLY WITH ALL APPLICABLE NATIONAL, STATE AND LOCAL CODES.
2. PLEASE REFER TO PRODUCT DOCUMENTATION FOR FURTHER INFORMATION.
3. UNLESS OTHERWISE SPECIFIED, ALL DIMENSIONS ARE IN INCHES [MILLIMETERS].
4. NET WEIGHT IS 4.41 LBS, [2.0 kg].
5. BRACKET KITS TO MOUNT TO SPECIFIC COMPETITORS RACKS ARE AVAILABLE AS OPTIONS.

THIS DRAWING AND SPECIFICATIONS HEREIN ARE THE PROPERTY OF SCHNEIDER ELECTRIC AND SHALL NOT BE COPIED, REPRODUCED OR USED IN WHOLE OR IN PART, AS THE BASIS FOR THE MANUFACTURE OR SALE OF ITEMS WITHOUT WRITTEN PERMISSION FROM SCHNEIDER ELECTRIC. THIS DRAWING IS BASED UPON LATEST AVAILABLE INFORMATION AND IS SUBJECT TO CHANGE WITHOUT NOTICE.

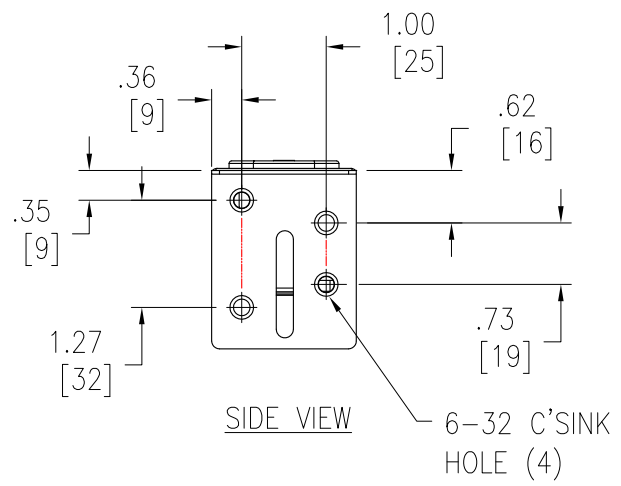
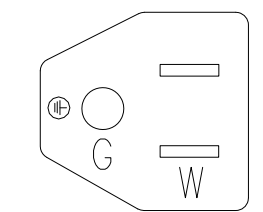
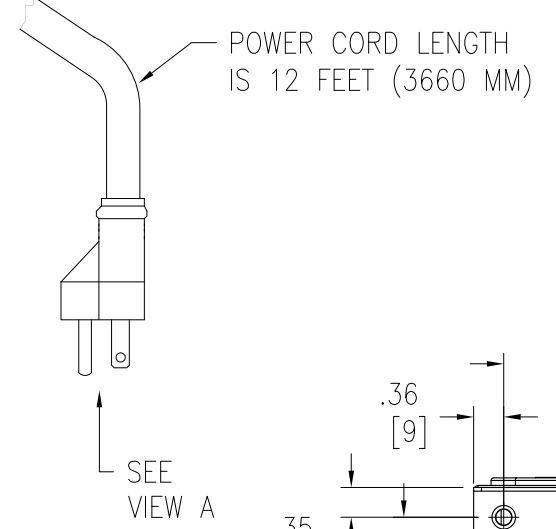
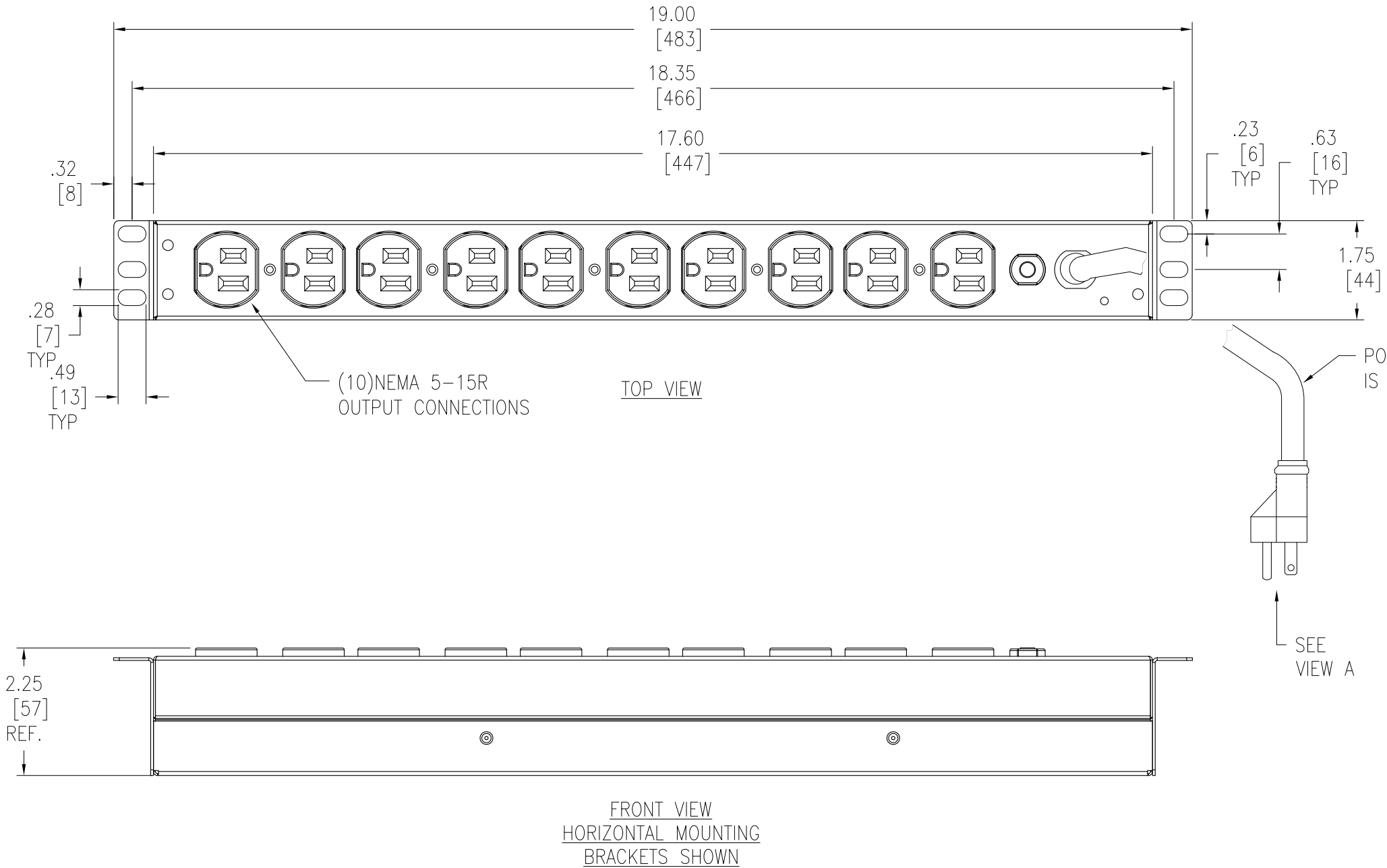


TITLE: RACK PDU, BASIC, 1U
INPUT: 120VAC, 12A, NEMA 5-15R
OUTPUT: (10) NEMA 5-15R
VERTICAL MOUNTING
MAIN MECHANICAL

PROJECT: STD SUBMITTAL DRAWING SHEET: 1 OF 2

DWG NO:	AP9562		REV.	1
DRAWN:	B ZAHN/S CUNHA	14-NOV-14	THIRD ANGLE PROJ	
ENGINEER:	Y JIANG/T HORSTMANN	30-DEC-08		
APPROVED:	B SHERIDAN/J SUN	30-DEC-08		

OPTION 2 – HORIZONTAL MOUNTING



NOTES:

1. INSTALLATION SHALL COMPLY WITH ALL APPLICABLE NATIONAL, STATE AND LOCAL CODES.
2. PLEASE REFER TO PRODUCT DOCUMENTATION FOR FURTHER INFORMATION.
3. UNLESS OTHERWISE SPECIFIED, ALL DIMENSIONS ARE IN INCHES [MILLIMETERS].
4. NET WEIGHT IS 4.41 LBS, [2.0 kg].
5. BRACKET KITS TO MOUNT TO SPECIFIC COMPETITORS RACKS ARE AVAILABLE AS OPTIONS.

THIS DRAWING AND SPECIFICATIONS HEREIN ARE THE PROPERTY OF SCHNEIDER ELECTRIC AND SHALL NOT BE COPIED, REPRODUCED OR USED IN WHOLE OR IN PART, AS THE BASIS FOR THE MANUFACTURE OR SALE OF ITEMS WITHOUT WRITTEN PERMISSION FROM SCHNEIDER ELECTRIC. THIS DRAWING IS BASED UPON LATEST AVAILABLE INFORMATION AND IS SUBJECT TO CHANGE WITHOUT NOTICE.



TITLE: RACK PDU, BASIC, 1U
INPUT: 120VAC, 12A, NEMA 5-15R
OUTPUT: (10) NEMA 5-15R
HORIZONTAL MOUNTING
MAIN MECHANICAL

PROJECT: STD SUBMITTAL DRAWING

SHEET: 2 OF 2

DWG NO: AP9562	REV. 1
DRAWN: B ZAHN/S CUNHA	14-NOV-14
ENGINEER: Y JIANG/T HORSTMANN	30-DEC-08
APPROVED: B SHERIDAN/J SUN	30-DEC-08
	THIRD ANGLE PROJ