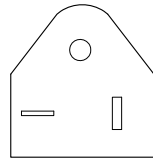
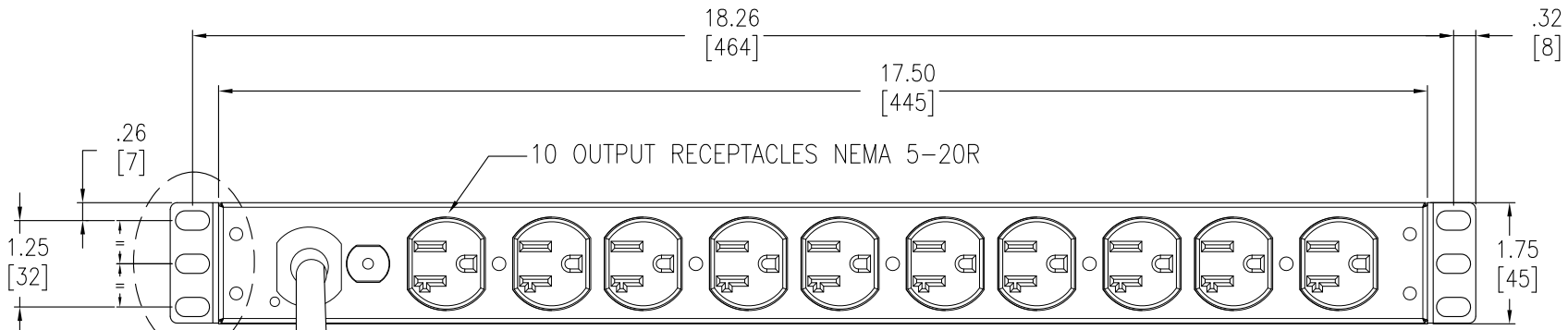


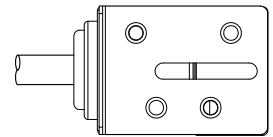
VIEW A
(MOUNTING BRACKET-ENLARGED)



DETAIL B
(NEMA 5-20P PLUG-ENLARGED)



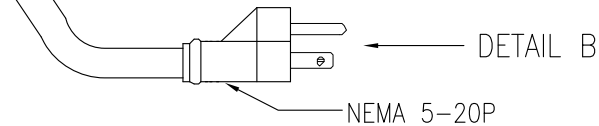
FRONT VIEW



SIDE VIEW

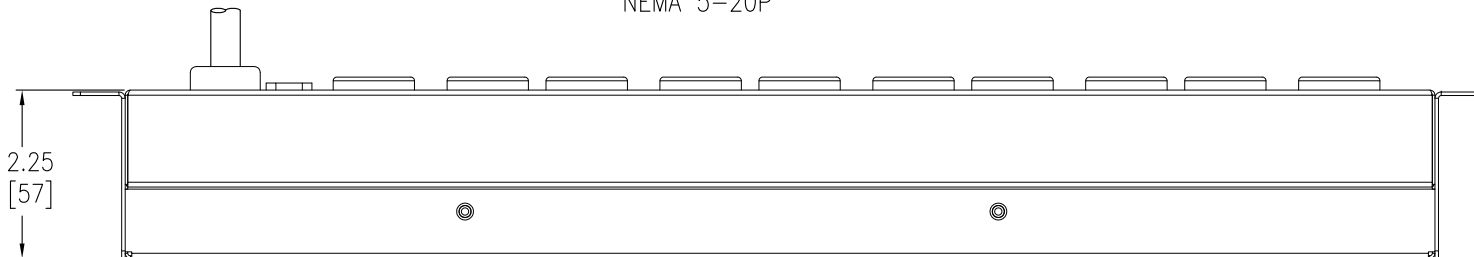
SEE VIEW A

CORD LENGTH 144 INCHES [3658 mm]



DETAIL B

NEMA 5-20P



BOTTOM VIEW

NOTES:

1. INSTALLATION SHALL COMPLY WITH ALL APPLICABLE NATIONAL, STATE AND LOCAL CODES.
2. NET WEIGHT OF UNIT IS 5.50 LBS [2.50 kg].
3. LENGTH OF THE CORD IS 144.00IN [3657MM].
4. UNLESS OTHERWISE SPECIFIED, ALL DIMENSIONS ARE IN INCHES [MILLIMETERS].

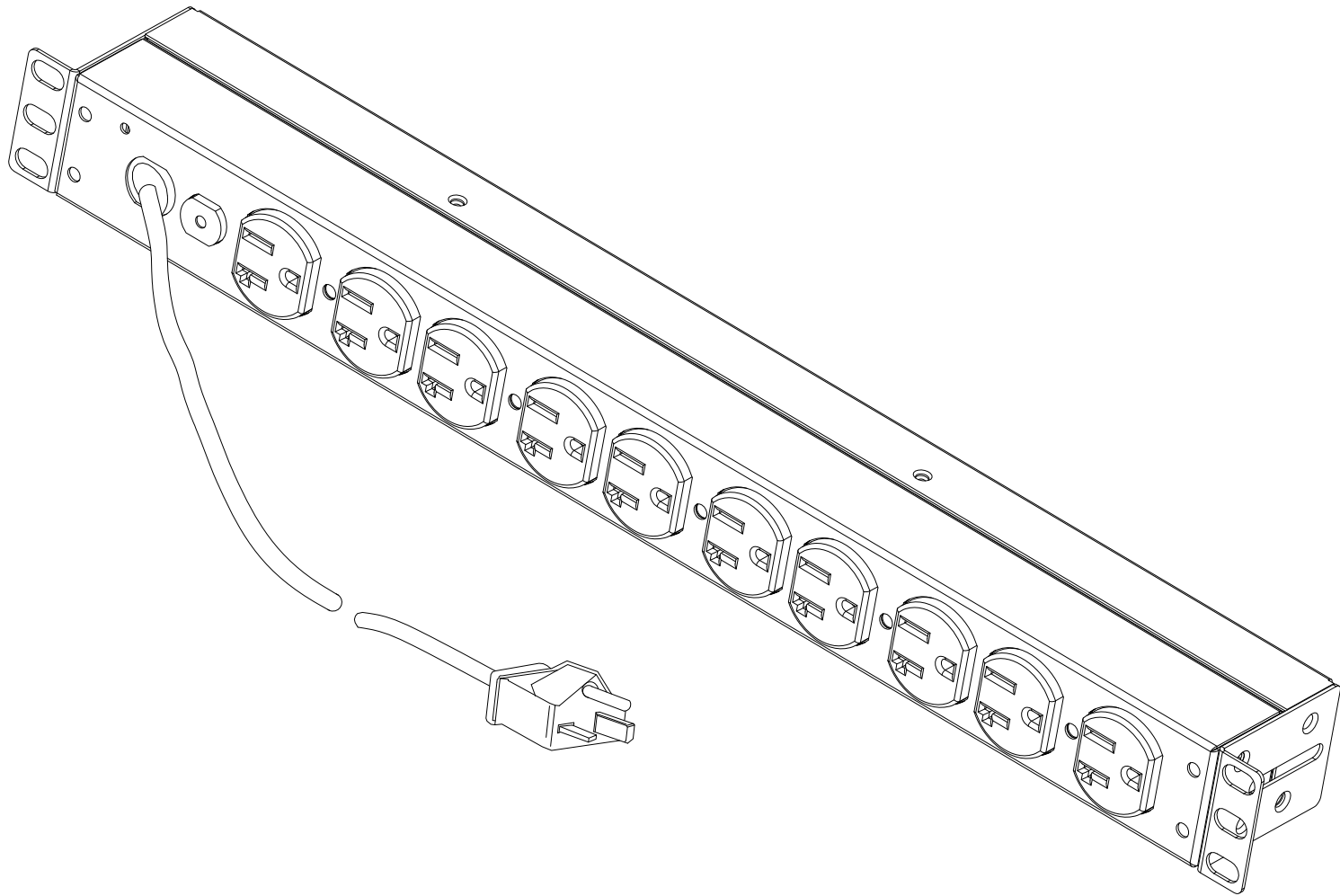
THIS DRAWING AND SPECIFICATIONS HEREIN ARE THE PROPERTY OF SCHNEIDER ELECTRIC AND SHALL NOT BE COPIED, REPRODUCED OR USED IN WHOLE OR IN PART, AS THE BASIS FOR THE MANUFACTURE OR SALE OF ITEMS WITHOUT WRITTEN PERMISSION FROM SCHNEIDER ELECTRIC. THIS DRAWING IS BASED UPON LATEST AVAILABLE INFORMATION AND IS SUBJECT TO CHANGE WITHOUT NOTICE.



TITLE: RACK PDU, BASIC
1U, 20A, 120V
INPUT: NEMA 5-20P
OUTPUT: (10) NEMA 5-20R
MAIN MECHANICAL

PROJECT: STD SUBMITTAL DRAWINGS SHEET 1 OF 2

DWG NO:	AP9563	REV.	0
DRAWN BY:	JAYAPRAKASH	22-SEP-05	THIRD
ENGINEER:	T HORSTMANN	22-SEP-05	ANGLE
APPROVED BY:	J RING/E SILVA	22-SEP-05	PROJ.



THIS DRAWING AND SPECIFICATIONS HEREIN ARE THE PROPERTY OF SCHNEIDER ELECTRIC AND SHALL NOT BE COPIED, REPRODUCED OR USED IN WHOLE OR IN PART, AS THE BASIS FOR THE MANUFACTURE OR SALE OF ITEMS WITHOUT WRITTEN PERMISSION FROM SCHNEIDER ELECTRIC. THIS DRAWING IS BASED UPON LATEST AVAILABLE INFORMATION AND IS SUBJECT TO CHANGE WITHOUT NOTICE.



TITLE: RACK PDU, BASIC
 1U, 20A, 120V
 INPUT: NEMA 5-20P
 OUTPUT: (10) NEMA 5-20R
 ISOMETRIC VIEW

PROJECT: STD SUBMITTAL DRAWINGS SHEET 2 OF 2

DWG NO:	AP9563	REV.	0
DRAWN BY:	JAYAPRAKASH	22-SEP-05	THIRD
ENGINEER:	T HORSTMANN	22-SEP-05	ANGLE
APPROVED BY:	J RING/E SILVA	22-SEP-05	PROJ.