

Schneider OffGrid 330

Important Safety Instructions



This is the “Read user manual” symbol. Read the safety guide supplied with the Schneider OffGrid 330 before trying to operate the Schneider OffGrid 330.

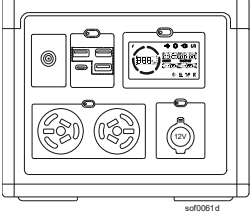

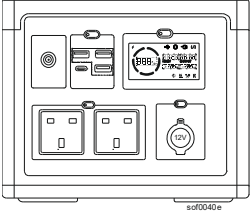

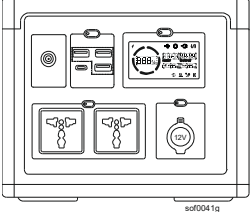


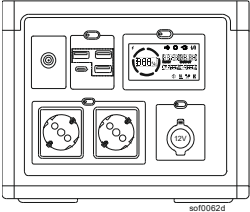

- Download the user manual using the QR Code (pasted on the bottom surface of the Schneider OffGrid 330; refer “Rear, Top, and Bottom panel features” on page 3 and read it carefully and look at the Schneider OffGrid 330 to become familiar with it before trying to install or operate it.
- To reduce risk of injury, close supervision is necessary when children are present in the vicinity of the Schneider OffGrid 330.
- Use only recommended Schneider Electric accessories and chargers.
- Do not expose the Schneider OffGrid 330 to excessive temperature or fire. Any such exposure to temperatures above 140 °F (60 °C) or fire may cause explosion.
- Do not use the Schneider OffGrid 330 or accessories if it is damaged or modified. Damage or modification of the Schneider OffGrid 330, including the lithium-ion battery pack inside the Schneider OffGrid 330, may exhibit unpredictable behavior resulting in fire, explosion or risk of injury.
- Use the Schneider OffGrid 330 in a dry and well ventilated environment.
- During storage, keep the Schneider OffGrid 330 in a dry and well ventilated place to avoid moisture and electric shock.
- Do not disassemble, repair, or modify the Schneider OffGrid 330 or the battery pack. Such acts may cause fire, explosion, injury, and unpredictable risks.
- Schneider OffGrid 330 has no serviceable parts.

General Instructions

- Do not touch the metallic connector of the cable immediately after using for charging the Schneider OffGrid 330. Allow sufficient time for the metal parts of the connector to cool.
- To reduce risk of damage to the electric plug and cord, pull the plug rather than the cord when disconnecting the Schneider OffGrid 330.
- Use of Schneider OffGrid 330 under low temperatures may diminish battery lifespan.
- Recharge the battery at least once in 6 months when the Schneider OffGrid 330 is stored (not used) for a long period.
- Schneider OffGrid 330 is optimized for charging within an ambient temperature range of 0 °C to 40 °C. The discharge temperature should not exceed 40 °C, and the unit should be stored within a temperature range of -20 °C to 70 °C. Operation outside of these temperature parameters may result in reduced functionality.
- Recharge the battery periodically to be sure that the battery is in a healthy condition.

Electrical equipment should be installed and operated only by qualified personnel. No responsibility is assumed by Schneider Electric for any consequences arising out of the use of this material.

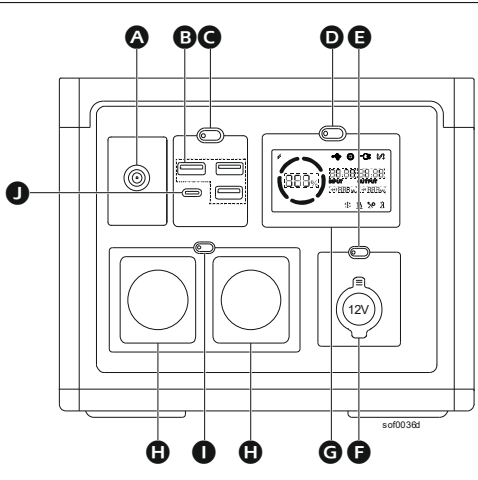
Inventory

	Schneider OffGrid 330	AC Charging Adapter	Car Charging Cable
PPS330-AZ			
PPS330-UK			
PPS330-MS			
PPS330-GR			

Product Features

NOTE: Before using the Schneider OffGrid 330 for the first time, be sure that the unit is fully charged and then press any button to turn it on.

Front panel features

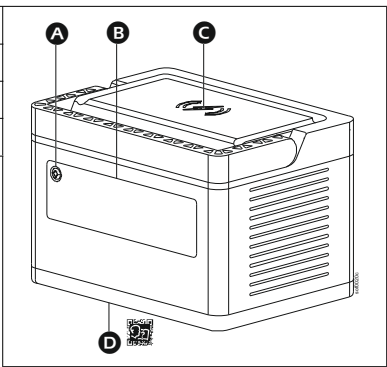
A DC input port (12-30 V=8 A)	
B USB-A output (5 V=2.4 A)	
C USB ON/OFF button	
D LCD DISPLAY ON/OFF button	
E CAR PORT ON/OFF button	
F Car port (12 V=10 A)	
G LCD display	
H AC output socket (230 V~, 50 Hz, 300 W total)	
I AC OUTPUT PORT ON/OFF button	
J USB-C input/output PD 60 W (5 V=3.0 A, 9 V=3.0 A, 12 V=3.0 A, 15 V=3.0 A, 20 V=3.0 A)	

NOTE: AC output sockets will vary based on the Schneider OffGrid 330 models. Refer "Inventory" on page 2 for socket details.

Rear, Top, and Bottom panel features

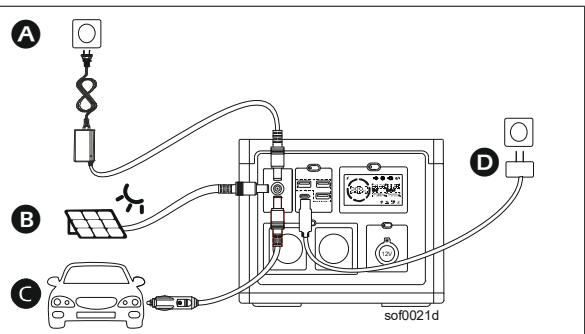
A	LED LIGHT ON/OFF button
B	LED light- 3 level (Low → High → SOS Signal)
C	Wireless charger (15 W max.)
D	QR Code for downloading user documentation

NOTE: The wireless charging power output is limited to 15 W, and charging speed is contingent on environmental factors such as location and phone case. Before utilizing the wireless charging function, it is necessary to activate the Schneider OffGrid 330 by pressing any button.



Charging the Schneider OffGrid 330

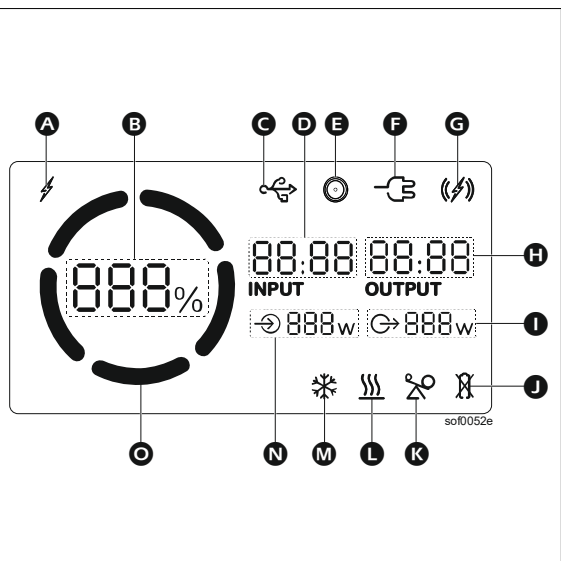
A	AC charging (wall outlet)
B	Solar charging*
C	Car charging
D	USB-C PD charging (wall outlet)



*Schneider OffGrid Portable Solar Panels PSP100/PSP200 to be purchased separately.

LCD Display

A	Charging indicator
B	Remaining battery capacity%
C	USB output indicator
D	Remaining time to full charge (HH:MM)
E	DC output indicator
F	AC output indicator
G	Wireless output indicator
H	Remaining runtime indicator (HH:MM)
I	Output power
J	Low Battery/Battery fault detected
K	Overload indicator
L	High temperature alert indicator
M	Low temperature alert indicator
N	Input power
O	Battery level indicator



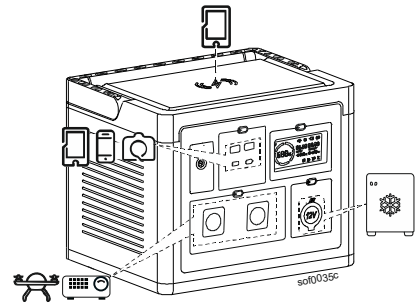
Display

- To activate the display, press the LCD DISPLAY ON/OFF button, any output power button, or LED LIGHT button. The display will illuminate automatically when a charging input is detected.
- To deactivate the display, press the LCD DISPLAY ON/OFF button again or the display will turn off automatically after 1 minute of inactivity.
- To enable the Always ON display when charging the devices, after the display illuminates press and hold LCD DISPLAY button for 10 seconds with 1 beep.
- To disable the Always ON display when charging the devices, after the display illuminates press and hold LCD DISPLAY button for 10 seconds with 2 beeps.

Connect Equipment

NOTE:

- Connect electronic devices like mobile phones, tablets, etc. to the USB ports.
- Connect equipment like projector, drones etc. to the AC output sockets. The total load connected to these sockets should not exceed 300 W. If the connected load to these sockets exceeds 300 W, then the Overload indicator will illuminate and the AC output will turn-off automatically. Disconnect the connected device and press the ON/OFF button again to reset the Schneider OffGrid 330.
- Connect equipment like mini refrigerators/coolers etc., to the car port. The load connected to this port should not exceed 120 W.
- Press the respective ON/OFF buttons of the USB port, AC output sockets, and car port of the unit to turn on/off the output.



Turn On the Schneider OffGrid 330

- Press any button to illuminate the display.
- To supply power (AC or DC) to the connected equipment, press the respective ON/OFF button of the output port/socket. Refer “Front panel features” on page 2.

NOTE: All output ports/sockets can be used simultaneously.

Turn Off the Schneider OffGrid 330

- Schneider OffGrid 330 will automatically turn-off, when all output ports are turned off.

ECO Mode:

- AC output sockets will automatically turn-off after 10 hours, if the connected load is < 5 W.
- USB and car ports will automatically turn-off after 10 hours, if the connected load is < 1 W.
- AC output sockets will automatically turn-off when battery level is < 5%.

Warranty

Register your product on-line at <https://warranty.apc.com>.

The standard warranty is two (2) years from the date of purchase. Schneider Electric IT (SEIT) standard procedure is to replace the original unit with a factory reconditioned unit. Customers who must have the original unit back due to the assignment of asset tags and set depreciation schedules must declare such a need at first contact with an SEIT Technical Support representative. SEIT will ship the replacement unit once the defective unit has been received by the repair department, or cross ship upon the receipt of a valid credit card number. The customer pays for shipping the unit to SEIT. SEIT pays ground freight transportation costs to ship the replacement unit to the customer.

Schneider Electric IT Customer Support Worldwide

For country specific customer support, go to the Schneider Electric Web site, www.se.com.