

NOTES:

1. INSTALLATION SHALL COMPLY WITH ALL APPLICABLE NATIONAL, STATE AND LOCAL CODES.
2. REFER TO PRODUCT DOCUMENTATION FOR ADDITIONAL DETAILS PRIOR TO INSTALLATION AND SITE PREPARATION WORK.
3. ALL DIMENSIONS ARE IN INCHES [MILLIMETERS].
- △4. ONLY FRONT ACCESS REQUIRED FOR SERVICE. MINIMUM RECOMMENDED FRONT CLEARANCE IS 40.20 [1020].
5. INPUT POWER CABLE ENTRY IS FROM TOP OR BOTTOM OF THE UNIT.
6. WEIGHT OF THE UNIT 617 LBS [280kg].
7. OPERATING TEMPERATURE: 32°F TO 104°F [0° TO 40°].
8. DOOR SWING-ROTATES FREELY 180°.
9. COLOR: RAL 9003 WHITE.
- △10.MBC CAN BE EITHER BAYED WITH UPS OR REMOTELY INSTALLED. FOR BAYING WITH UPS REMOVE THESE RIGHT SIDE COVERS.

THIS DRAWING AND SPECIFICATIONS HEREIN ARE THE PROPERTY OF SCHNEIDER ELECTRIC AND SHALL NOT BE COPIED, REPRODUCED OR USED IN WHOLE OR IN PART, AS THE BASIS FOR THE MANUFACTURE OR SALE OF ITEMS WITHOUT WRITTEN PERMISSION FROM SCHNEIDER ELECTRIC. THIS DRAWING IS BASED UPON LATEST AVAILABLE INFORMATION AND IS SUBJECT TO CHANGE WITHOUT NOTICE.



TITLE: Galaxy VX
 MAINTENANCE BYPASS CABINET
 Input: 480V, 3PH, 60Hz
 Output: 480V, 3PH, 60Hz
 GENERAL ARRANGEMENT

DWG NO: GVXMB500-750KG

REV. 1

DRAWN BY: K.NAGENDRA/BALA 20-AUG-20

THIRD

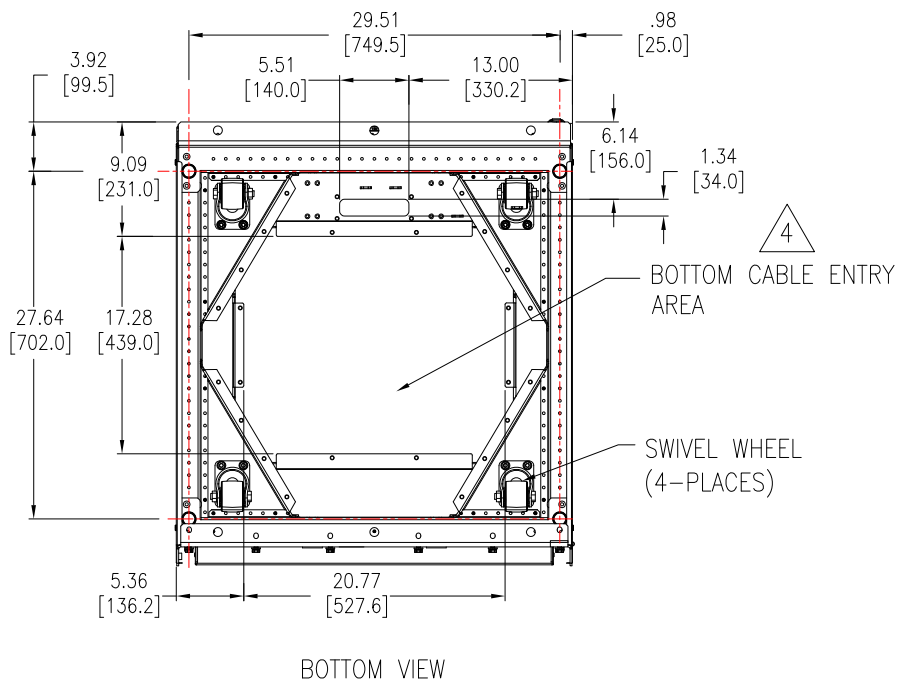
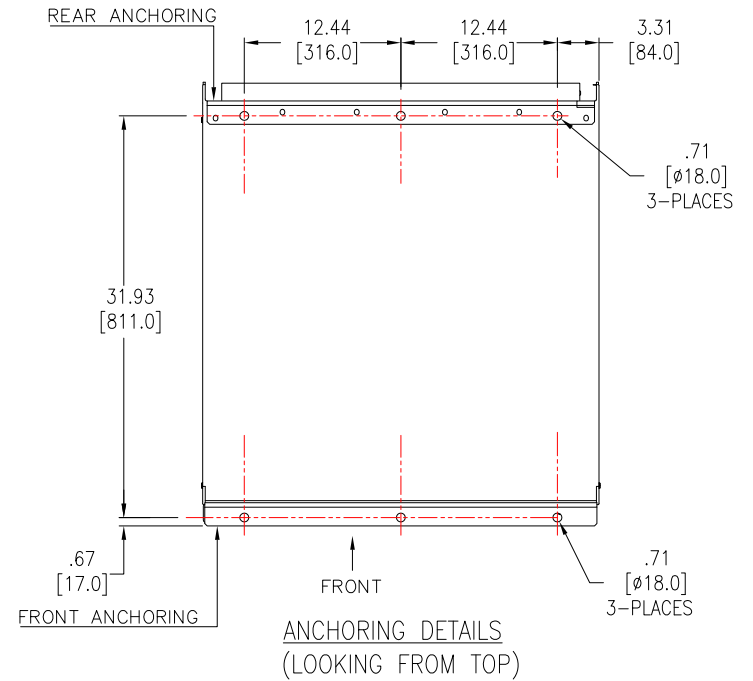
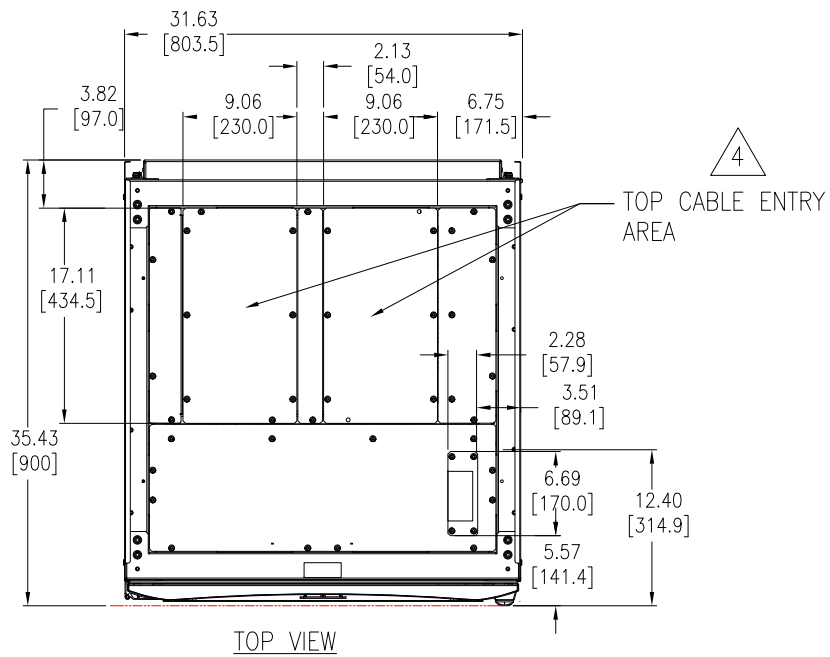
ENGINEER: A.H 20-AUG-20

ANGLE

APPROVED BY: A.H 20-AUG-20

PROJECTION

PROJECT: DRAWINGS SHEET 1 OF 4



NOTES:

1. INSTALLATION SHALL COMPLY WITH ALL APPLICABLE NATIONAL, STATE AND LOCAL CODES.
2. REFER TO PRODUCT DOCUMENTATION FOR ADDITIONAL DETAILS PRIOR TO INSTALLATION AND SITE PREPARATION WORK.
3. ALL DIMENSIONS ARE IN INCHES [MILLIMETERS].

△4. DRILL/PUNCH HOLES IN PLATE AS PER REQUIREMENT.
REMOVE PLATE FROM CABINET BEFORE DRILLING/PUNCHING.

THIS DRAWING AND SPECIFICATIONS HEREIN ARE THE PROPERTY OF SCHNEIDER ELECTRIC AND SHALL NOT BE COPIED, REPRODUCED OR USED IN WHOLE OR IN PART, AS THE BASIS FOR THE MANUFACTURE OR SALE OF ITEMS WITHOUT WRITTEN PERMISSION FROM SCHNEIDER ELECTRIC. THIS DRAWING IS BASED UPON LATEST AVAILABLE INFORMATION AND IS SUBJECT TO CHANGE WITHOUT NOTICE.

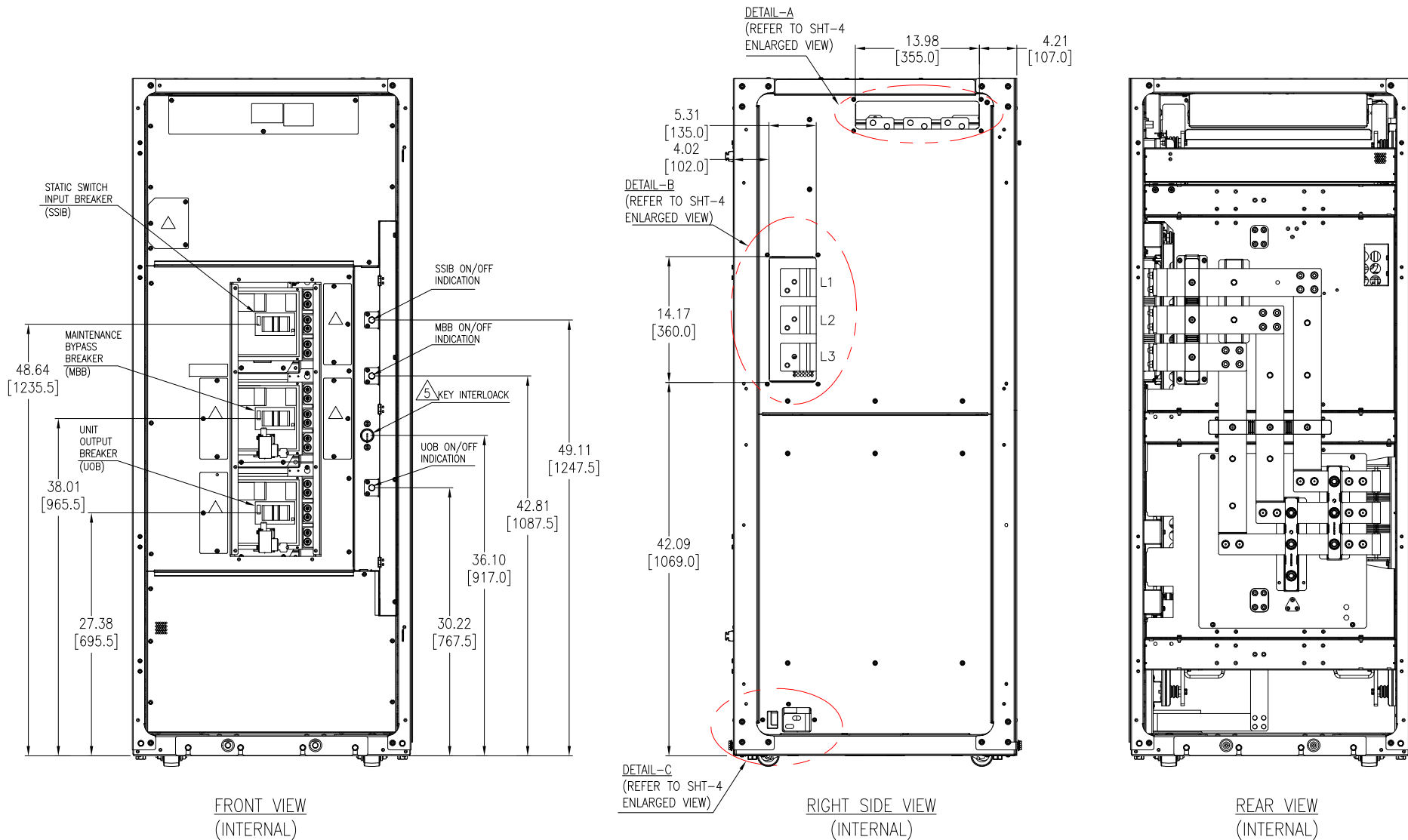
Schneider Electric

TITLE: Galaxy VX
MAINTENANCE BYPASS CABINET
Input: 480V, 3PH, 60Hz
Output: 480V, 3PH, 60Hz
TOP & BOTTOM VIEW, ANCHORING DETAILS

DWG NO: GVXMB500-750KG
DRAWN BY: K.NAGENDRA/BALA
ENGINEER: A.H.
APPROVED BY: A.H.

REV. 1
20-AUG-20
20-AUG-20
20-AUG-20
THIRD ANGLE PROJECTION

PROJECT: DRAWINGS SHEET 2 OF 4



NOTES:

1. INSTALLATION SHALL COMPLY WITH ALL APPLICABLE NATIONAL, STATE AND LOCAL CODES.
2. REFER TO PRODUCT DOCUMENTATION FOR ADDITIONAL DETAILS PRIOR TO INSTALLATION AND SITE PREPARATION WORK.
3. ALL DIMENSIONS ARE IN INCHES [MILLIMETERS].
4. FOR MBC INTERFACE DETAILS REFER TO UPS INSTALLATION MANUAL.
5. KEY INTERLOCKS WITH SKRU, SCHEME39, BETWEEN MBB & UOB, ARE INCLUDED AS STANDARD WITH THE SYSTEM.

DEVICE ID	CURRENT RATING			RMS SYM	TYPE
	500kVA, 480V	625kVA, 480V	750kVA, 480V		
MBB, SSIB, UOB	1200AF/ 700AT	1200AF/ 1000AT	1200AF/ 1200AT	65kAIC	MCCB 3P

THIS DRAWING AND SPECIFICATIONS HEREIN ARE THE PROPERTY OF SCHNEIDER ELECTRIC AND SHALL NOT BE COPIED, REPRODUCED OR USED IN WHOLE OR IN PART, AS THE BASIS FOR THE MANUFACTURE OR SALE OF ITEMS WITHOUT WRITTEN PERMISSION FROM SCHNEIDER ELECTRIC. THIS DRAWING IS BASED UPON LATEST AVAILABLE INFORMATION AND IS SUBJECT TO CHANGE WITHOUT NOTICE.



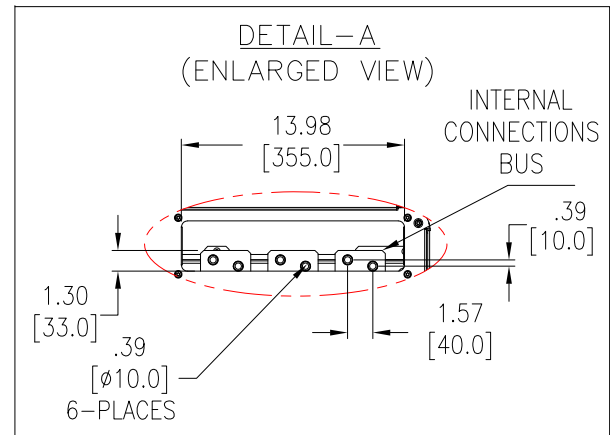
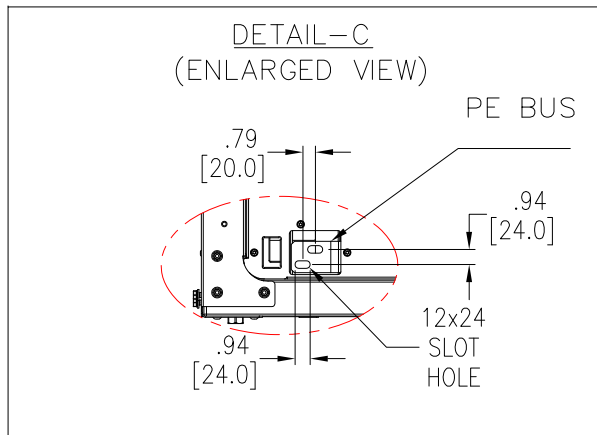
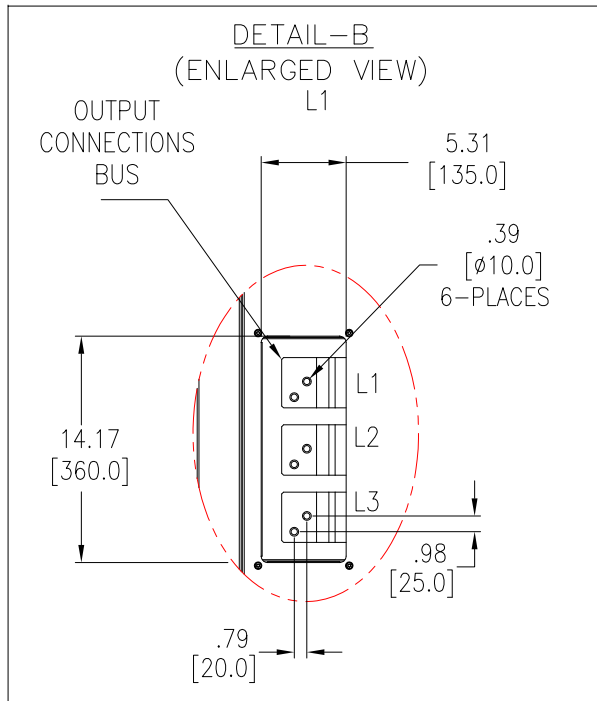
TITLE: Galaxy VX
MAINTENANCE BYPASS CABINET
Input: 480V, 3PH, 60Hz
Output: 480V, 3PH, 60Hz
INTERNAL VIEW

PROJECT: DRAWINGS **SHEET** 3 OF 4

DWG NO: GVXMBC500-750KG

REV. 1
DRAWN BY: JAYAPRAKASH 30-JUN-23
ENGINEER: VINAYKUMAR 30-JUN-23
APPROVED BY: VINAYKUMAR 30-JUN-23

THIRD ANGLE PROJECTION



NOTES:

1. INSTALLATION SHALL COMPLY WITH ALL APPLICABLE NATIONAL, STATE AND LOCAL CODES.
2. REFER TO PRODUCT DOCUMENTATION FOR ADDITIONAL DETAILS PRIOR TO INSTALLATION AND SITE PREPARATION WORK.
3. ALL DIMENSIONS ARE IN INCHES [MILLIMETERS].

THIS DRAWING AND SPECIFICATIONS HEREIN ARE THE PROPERTY OF SCHNEIDER ELECTRIC AND SHALL NOT BE COPIED, REPRODUCED OR USED IN WHOLE OR IN PART, AS THE BASIS FOR THE MANUFACTURE OR SALE OF ITEMS WITHOUT WRITTEN PERMISSION FROM SCHNEIDER ELECTRIC. THIS DRAWING IS BASED UPON LATEST AVAILABLE INFORMATION AND IS SUBJECT TO CHANGE WITHOUT NOTICE.

Schneider Electric

TITLE: Galaxy VX
MAINTENANCE BYPASS CABINET
Input: 480V, 3PH, 60Hz
Output: 480V, 3PH, 60Hz
INTERNAL DETAILS

DWG NO: GVXMB500-750KG

REV. 1

DRAWN BY: K.NAGENDRA/BALA 20-AUG-20

ENGINEER: A.H 20-AUG-20

PROJECT: DRAWINGS SHEET 4 OF 4

APPROVED BY: A.H 20-AUG-20

THIRD ANGLE PROJECTION