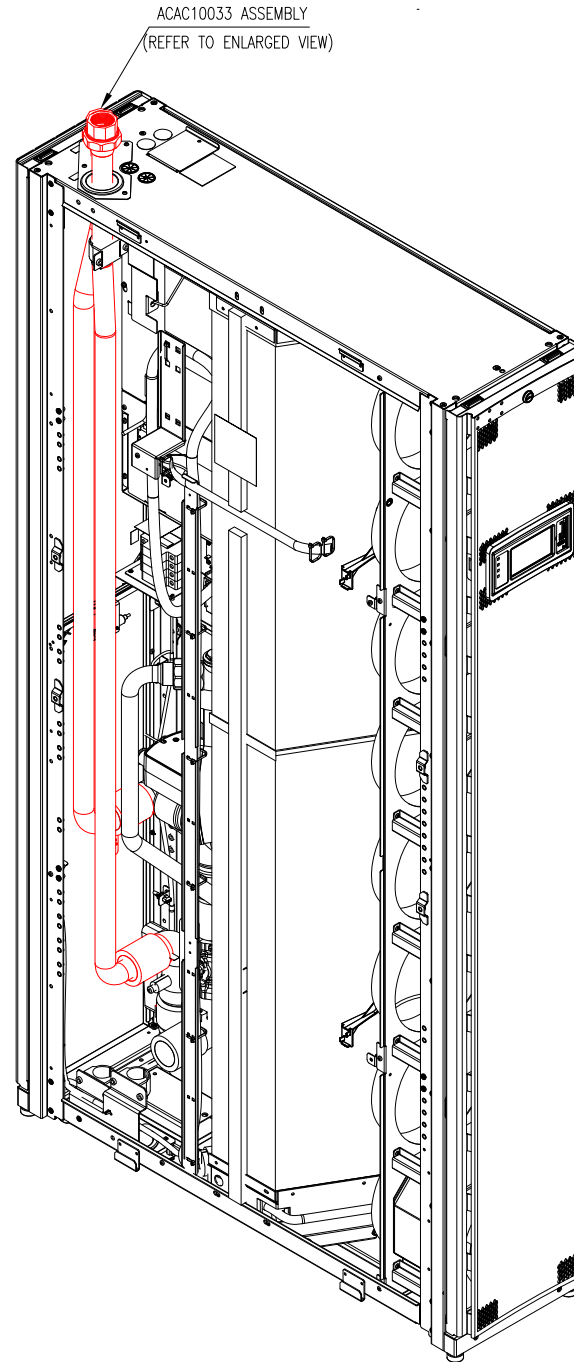
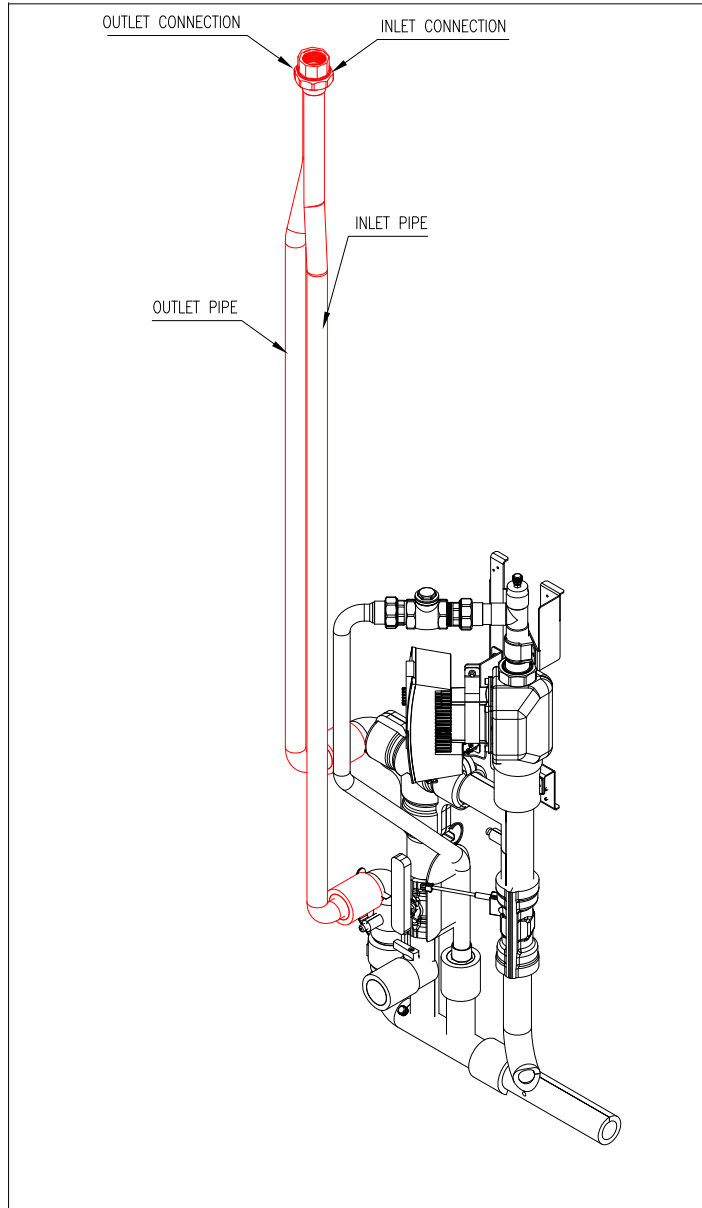


ASSEMBLY (ENLARGED VIEW) – ACAC10033



NOTES:

1. INSTALLATION MUST COMPLY WITH ALL APPLICABLE NATIONAL AND LOCAL ELECTRICAL REGULATIONS.
2. REFER TO PRODUCT DOCUMENTATION FOR ADDITIONAL DETAILS PRIOR TO INSTALLATION AND SITE PREPARATION WORK.
3. ALL DIMENSIONS ARE IN MILLIMETERS [INCHES].
4. NET WEIGHT OF THE UNIT 9.0kg [19.8 lbs].
5. PIPING CONNECTION INSULATION IS PART OF THE SKU.

THIS DRAWING AND SPECIFICATIONS HEREIN ARE THE PROPERTY OF SCHNEIDER ELECTRIC AND SHALL NOT BE COPIED, REPRODUCED OR USED IN WHOLE OR IN PART, AS THE BASIS FOR THE MANUFACTURE OR SALE OF ITEMS WITHOUT WRITTEN PERMISSION FROM SCHNEIDER ELECTRIC. THIS DRAWING IS BASED UPON LATEST AVAILABLE INFORMATION AND IS SUBJECT TO CHANGE WITHOUT NOTICE.

Schneider Electric

TITLE:

InRow CHILLED WATER COOLING
UPPER PIPING KIT-ACAC301H
ASSEMBLY

PROJECT: SUBMITTAL DRAWINGS SHEET 1 OF 3

DWG NO: ACAC10033

REV. 0

DRAWN BY: K.NAGENDRA 06-MAY-14

FIRST

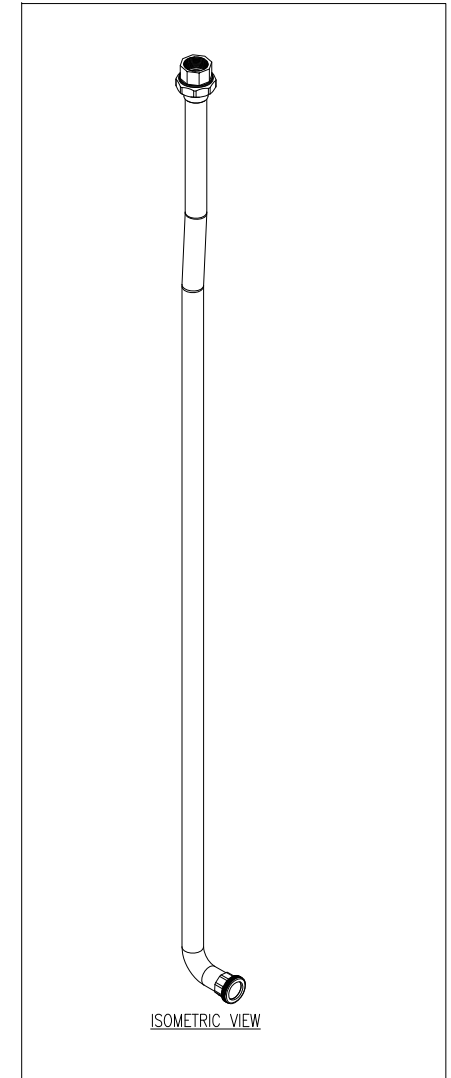
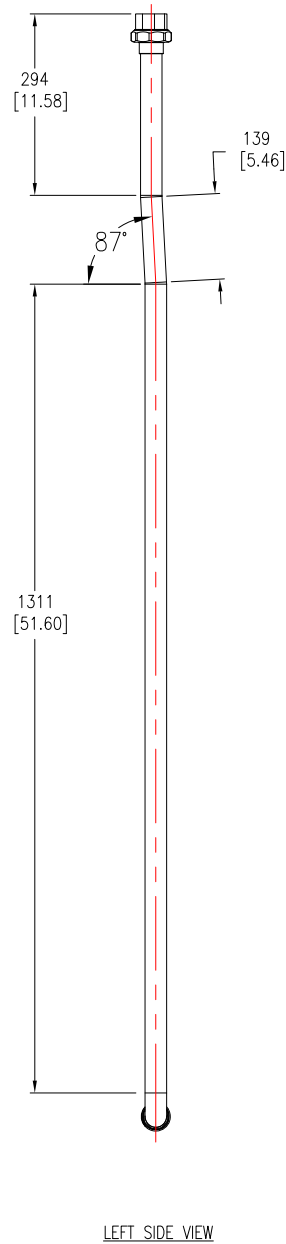
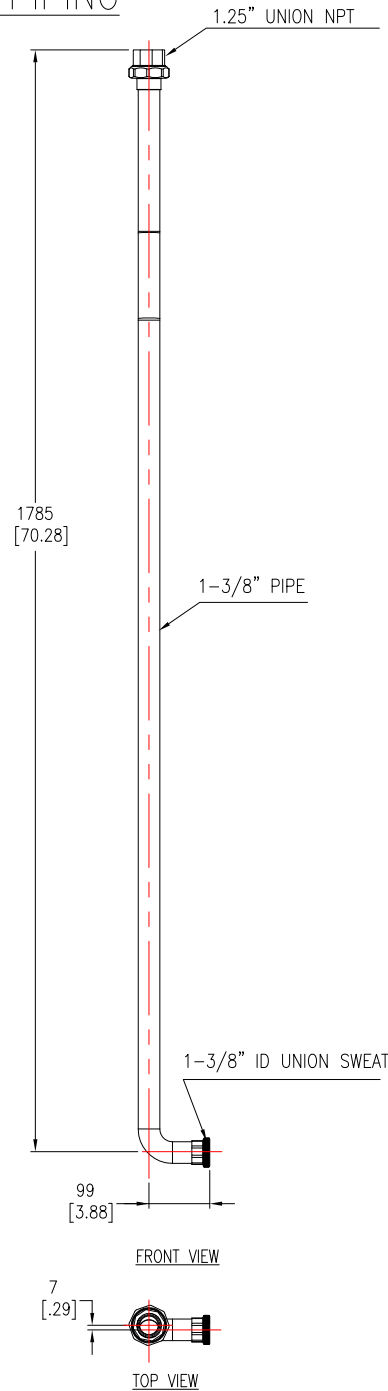
ENGINEER: XU XIANG/PAN GAO 06-MAY-14

ANGLE

APPROVED BY: NICHOLAS SCHWEISSGUTH 06-MAY-14

PROJ

ASSEMBLY-INLET PIPING



NOTES:

1. INSTALLATION MUST COMPLY WITH ALL APPLICABLE NATIONAL AND LOCAL ELECTRICAL REGULATIONS.
2. REFER TO PRODUCT DOCUMENTATION FOR ADDITIONAL DETAILS PRIOR TO INSTALLATION AND SITE PREPARATION WORK.
3. ALL DIMENSIONS ARE IN MILLIMETERS [INCHES].

THIS DRAWING AND SPECIFICATIONS HEREIN ARE THE PROPERTY OF SCHNEIDER ELECTRIC AND SHALL NOT BE COPIED, REPRODUCED OR USED IN WHOLE OR IN PART, AS THE BASIS FOR THE MANUFACTURE OR SALE OF ITEMS WITHOUT WRITTEN PERMISSION FROM SCHNEIDER ELECTRIC. THIS DRAWING IS BASED UPON LATEST AVAILABLE INFORMATION AND IS SUBJECT TO CHANGE WITHOUT NOTICE.

Schneider Electric

TITLE:

InRow CHILLED WATER COOLING
UPPER PIPING KIT-ACAC301H
INLET PIPING-DETAILS

PROJECT: SUBMITTAL DRAWINGS SHEET 2 OF 3

DWG NO:

ACAC10033

REV. 0

DRAWN BY:

K.NAGENDRA 06-MAY-14

FIRST

ENGINEER:

XUXIANG/PAN GAO 06-MAY-14

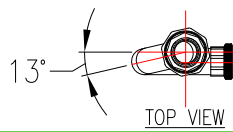
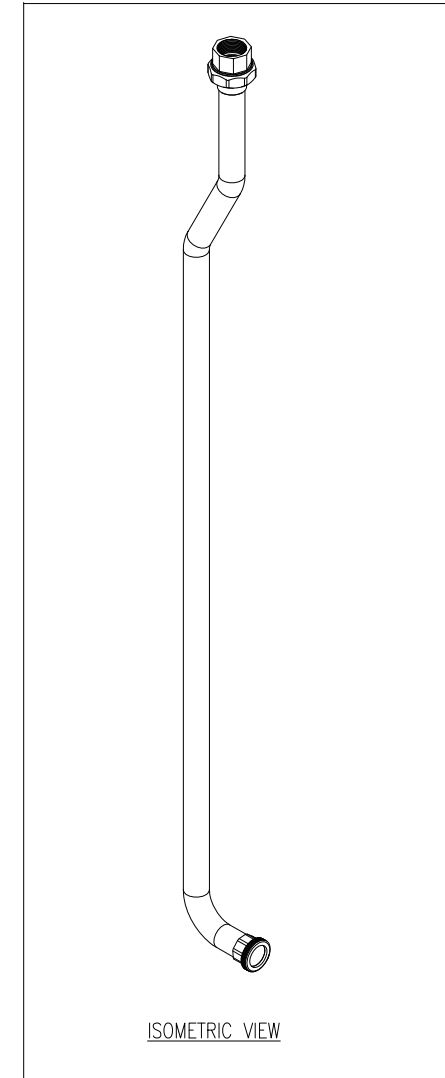
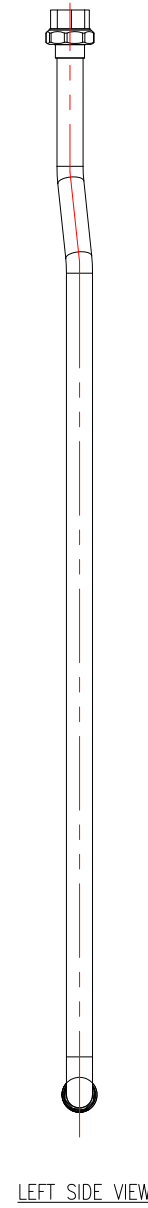
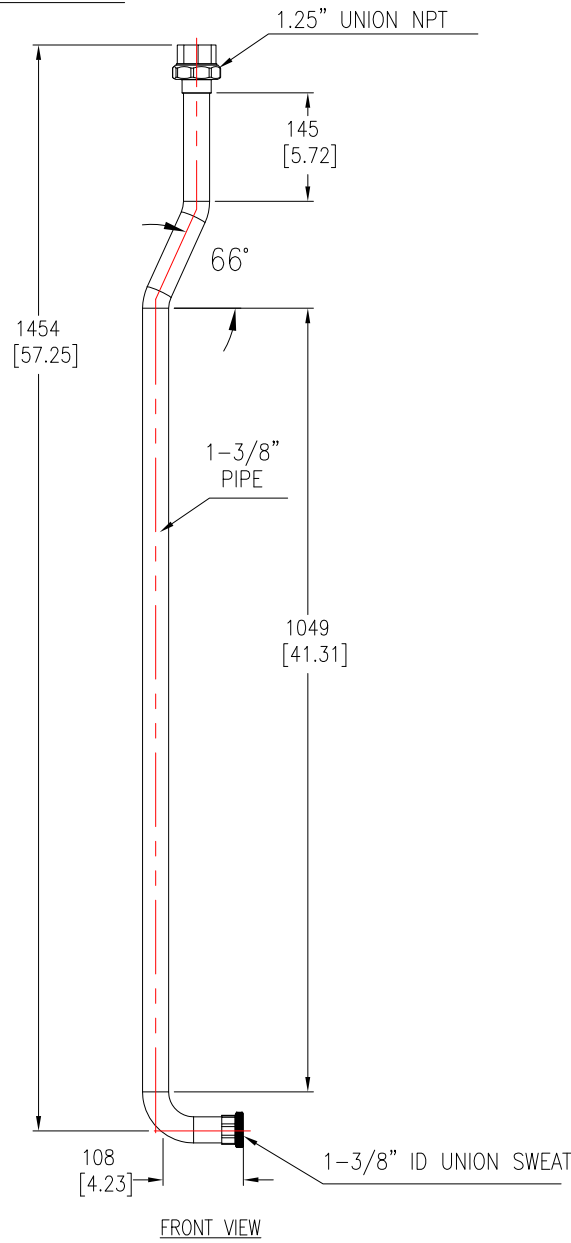
ANGLE

APPROVED BY:

BYNICHOLAS SCHWEISSGUTH 06-MAY-14

PROJ

ASSEMBLY-OUTLET PIPING



NOTES:

1. INSTALLATION MUST COMPLY WITH ALL APPLICABLE NATIONAL AND LOCAL ELECTRICAL REGULATIONS.
2. REFER TO PRODUCT DOCUMENTATION FOR ADDITIONAL DETAILS PRIOR TO INSTALLATION AND SITE PREPARATION WORK.
3. ALL DIMENSIONS ARE IN MILLIMETERS [INCHES].

THIS DRAWING AND SPECIFICATIONS HEREIN ARE THE PROPERTY OF SCHNEIDER ELECTRIC AND SHALL NOT BE COPIED, REPRODUCED OR USED IN WHOLE OR IN PART, AS THE BASIS FOR THE MANUFACTURE OR SALE OF ITEMS WITHOUT WRITTEN PERMISSION FROM SCHNEIDER ELECTRIC. THIS DRAWING IS BASED UPON LATEST AVAILABLE INFORMATION AND IS SUBJECT TO CHANGE WITHOUT NOTICE.



TITLE:		DWG NO: ACAC10033		REV. 0
InRow CHILLED WATER COOLING UPPER PIPING KIT-ACAC301H OUTLET PIPING-DETAILS		DRAWN BY: K.NAGENDRA	06-MAY-14	FIRST
PROJECT: SUBMITTAL DRAWINGS		ENGINEER: XU XIANG/PAN GAO	06-MAY-14	ANGLE
SHEET 3 OF 3		APPROVED BY: NICHOLAS SCHWEISSGUTH	06-MAY-14	PROJ