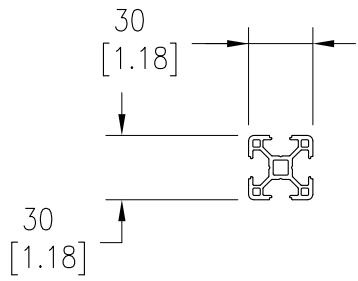
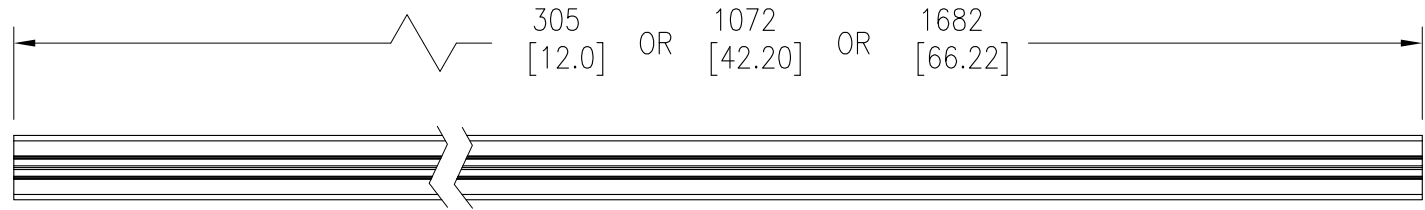


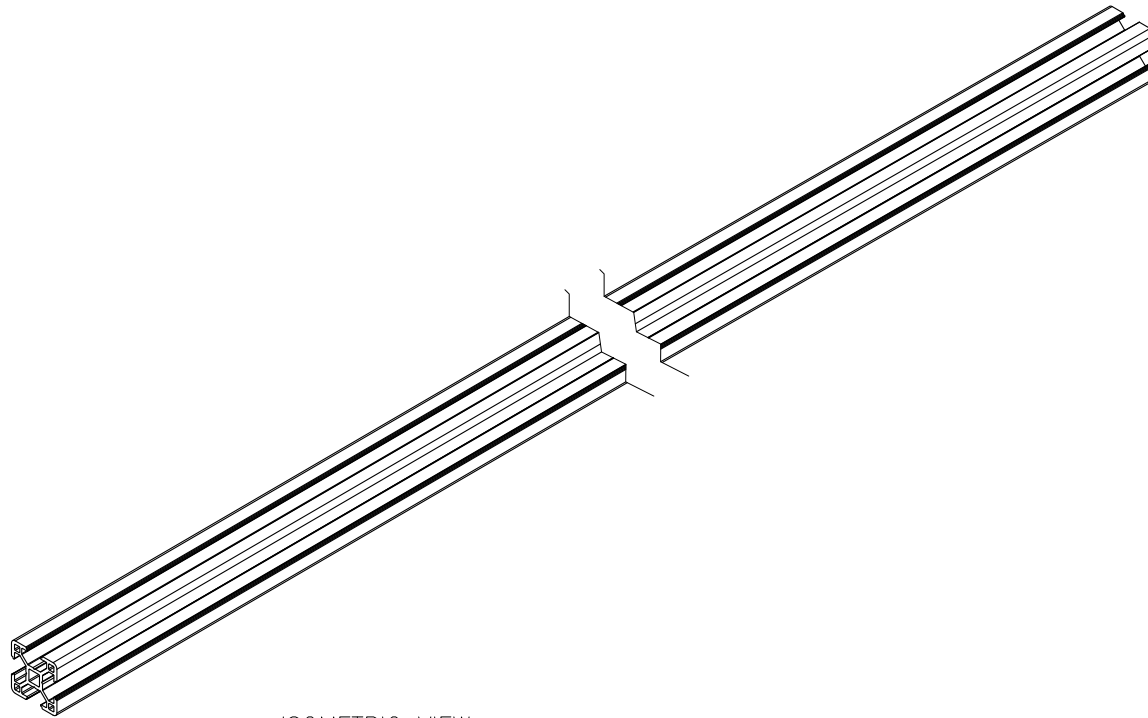
CURTAIN MTG RAIL



FRONT VIEW



LEFT SIDE VIEW



ISOMETRIC VIEW

NOTES:

1. COMPLY WITH ALL APPLICABLE NATIONAL AND LOCAL ELECTRICAL REGULATIONS.
2. REFER TO PRODUCT DOCUMENTATION FOR ADDITIONAL DETAILS PRIOR TO INSTALLATION AND SITE PREPARATION WORK.
3. ALL DIMENSIONS ARE IN MILLIMETERS [INCHES].
4. NET WEIGHT (ALL BRACKETS INCLUDED)

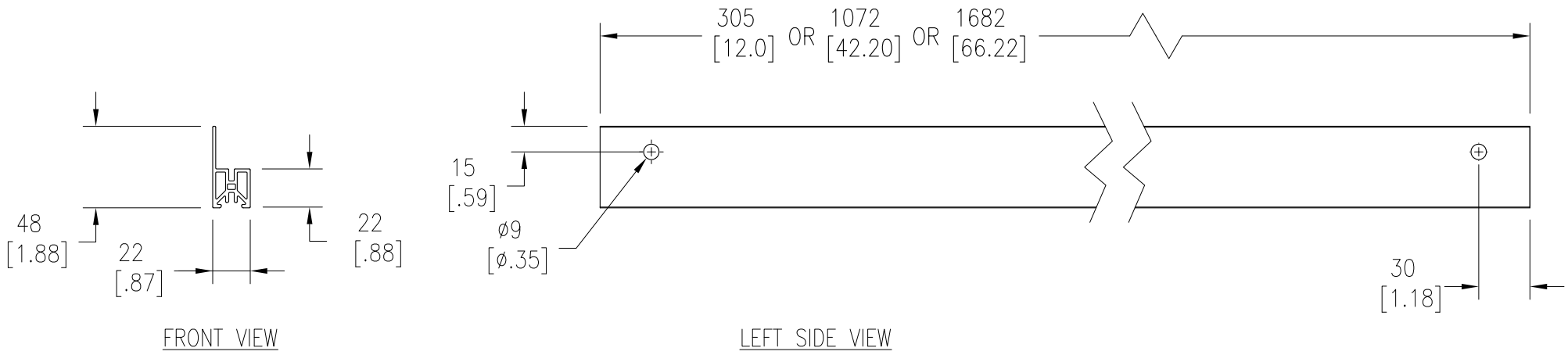
ACDC2410 [1072mm] = 3.76kg [8.28lbs]
 ACDC2411 [1682mm] = 5.75kg [12.65lbs]

THIS DRAWING AND SPECIFICATIONS HEREIN ARE THE PROPERTY OF SCHNEIDER ELECTRIC AND SHALL NOT BE COPIED, REPRODUCED OR USED IN WHOLE OR IN PART, AS THE BASIS FOR THE MANUFACTURE OR SALE OF ITEMS WITHOUT WRITTEN PERMISSION FROM SCHNEIDER ELECTRIC. THIS DRAWING IS BASED UPON LATEST AVAILABLE INFORMATION AND IS SUBJECT TO CHANGE WITHOUT NOTICE.



TITLE:		DWG NO: ACDC2410-2411		REV. 0
Eco-Aisle (TM) Aisle Containment System CURTAIN DOOR MOUNTING BRACKETS PART-1		DRAWN BY: K.NAGENDRA	09-JUL-13	FIRST
PROJECT: SUBMITTAL DRAWINGS		ENGINEER: RUSTIN SHI/MARK MENG	09-JUL-13	ANGLE
SHEET 1 OF 4		APPROVED BY: AARON GRAFF	09-JUL-13	PROJ

CURTAIN DOOR RAIL



NOTES:

1. COMPLY WITH ALL APPLICABLE NATIONAL AND LOCAL ELECTRICAL REGULATIONS.
2. REFER TO PRODUCT DOCUMENTATION FOR ADDITIONAL DETAILS PRIOR TO INSTALLATION AND SITE PREPARATION WORK.
3. ALL DIMENSIONS ARE IN MILLIMETERS [INCHES].

THIS DRAWING AND SPECIFICATIONS HEREIN ARE THE PROPERTY OF SCHNEIDER ELECTRIC AND SHALL NOT BE COPIED, REPRODUCED OR USED IN WHOLE OR IN PART, AS THE BASIS FOR THE MANUFACTURE OR SALE OF ITEMS WITHOUT WRITTEN PERMISSION FROM SCHNEIDER ELECTRIC. THIS DRAWING IS BASED UPON LATEST AVAILABLE INFORMATION AND IS SUBJECT TO CHANGE WITHOUT NOTICE.

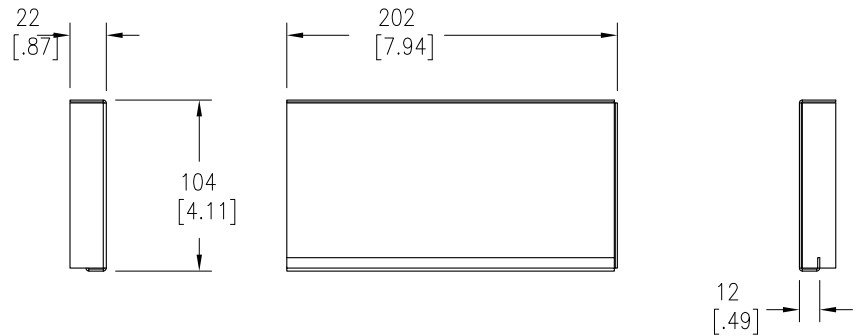


TITLE:
Eco-Aisle (TM) Aisle Containment System
CURTAIN DOOR MOUNTING BRACKETS
CURTAIN DOOR RAIL

PROJECT: SUBMITTAL DRAWINGS SHEET 2 OF 4

DWG NO:	ACDC2410-2411	REV.	0
DRAWN BY:	K.NAGENDRA	09-JUL-13	FIRST
ENGINEER:	RUSTIN SHI/MARK MENG	09-JUL-13	ANGLE
APPROVED BY:	AARON GRAFF	09-JUL-13	PROJ

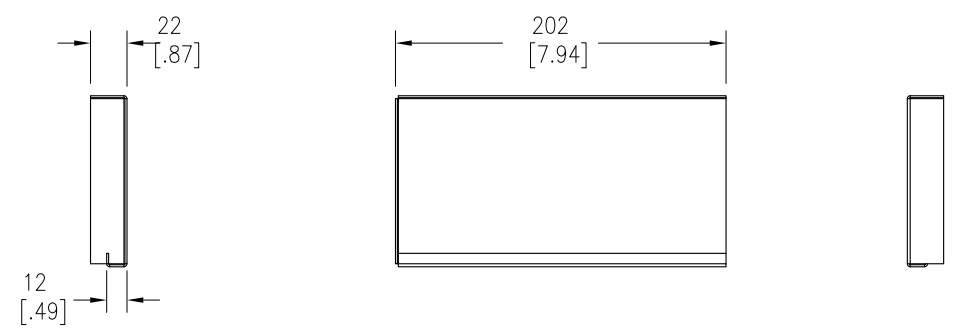
COVER CURTAIN DOOR LH & RH SIDE



FRONT VIEW

LEFT SIDE VIEW

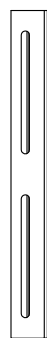
REAR VIEW



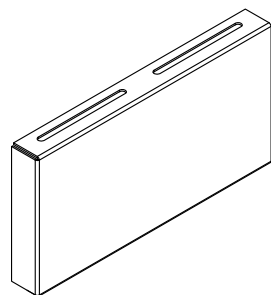
FRONT VIEW

LEFT SIDE VIEW

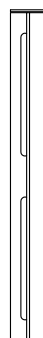
REAR VIEW



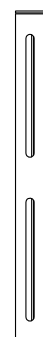
TOP VIEW



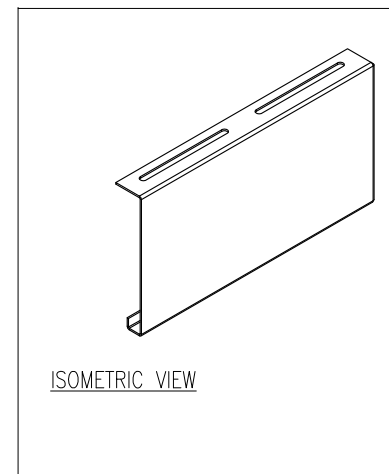
ISOMETRIC VIEW



BOTTOM VIEW



TOP VIEW



ISOMETRIC VIEW



BOTTOM VIEW

NOTES:

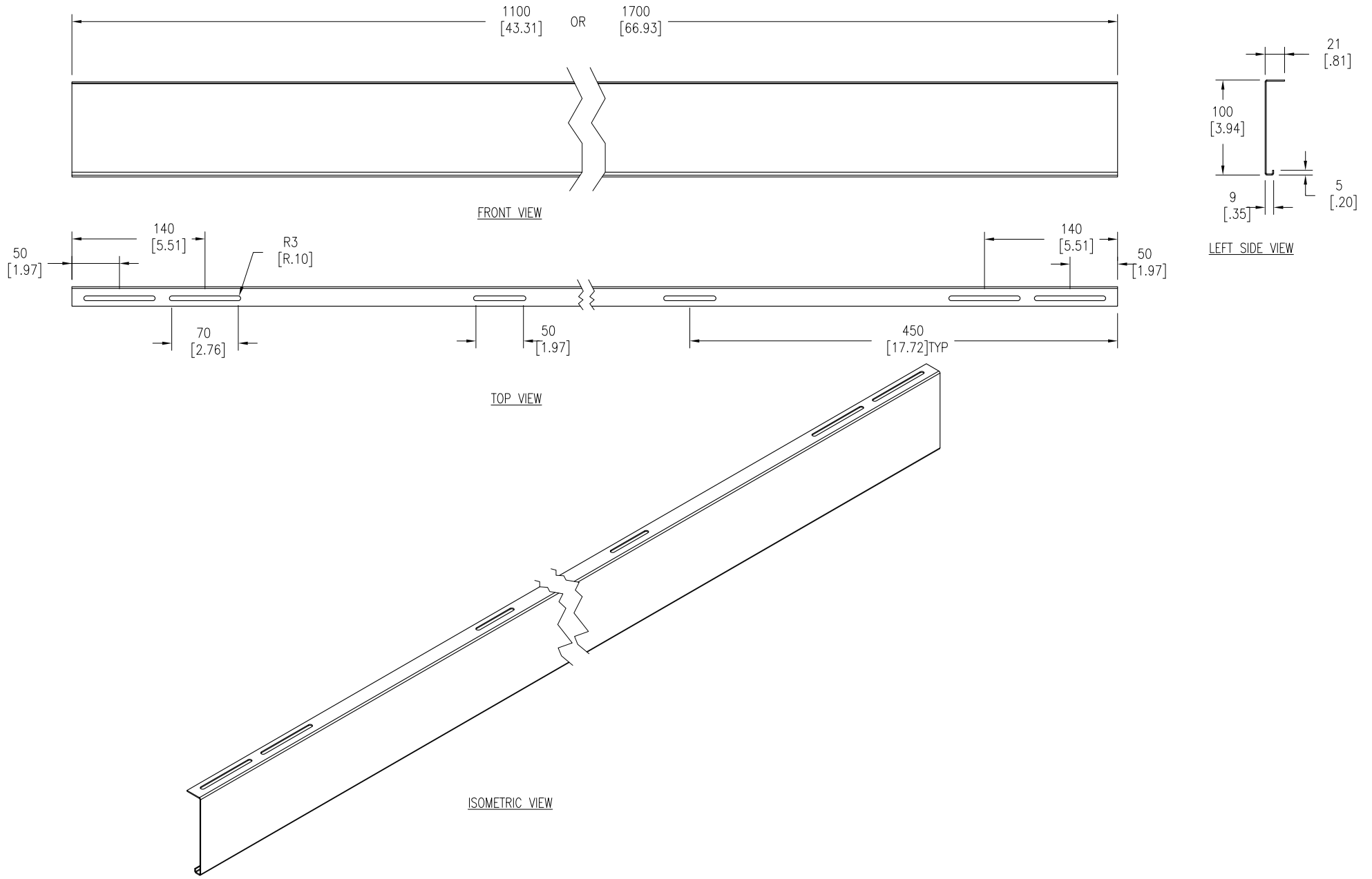
1. COMPLY WITH ALL APPLICABLE NATIONAL AND LOCAL ELECTRICAL REGULATIONS.
2. REFER TO PRODUCT DOCUMENTATION FOR ADDITIONAL DETAILS PRIOR TO INSTALLATION AND SITE PREPARATION WORK.
3. ALL DIMENSIONS ARE IN MILLIMETERS [INCHES].

THIS DRAWING AND SPECIFICATIONS HEREIN ARE THE PROPERTY OF SCHNEIDER ELECTRIC AND SHALL NOT BE COPIED, REPRODUCED OR USED IN WHOLE OR IN PART, AS THE BASIS FOR THE MANUFACTURE OR SALE OF ITEMS WITHOUT WRITTEN PERMISSION FROM SCHNEIDER ELECTRIC. THIS DRAWING IS BASED UPON LATEST AVAILABLE INFORMATION AND IS SUBJECT TO CHANGE WITHOUT NOTICE.



TITLE:		DWG NO: ACDC2410-2411		REV. 0
Eco-Aisle (TM) Aisle Containment System CURTAIN DOOR MOUNTING BRACKETS PART-3		DRAWN BY: K.NAGENDRA	09-JUL-13	FIRST
		ENGINEER: RUSTIN SHI/MARK MENG	09-JUL-13	ANGLE
PROJECT: SUBMITTAL DRAWINGS	SHEET 3 OF 4	APPROVED BY: AARON GRAFF	09-JUL-13	PROJ

CURTAIN DOOR COVER



NOTES:

1. COMPLY WITH ALL APPLICABLE NATIONAL AND LOCAL ELECTRICAL REGULATIONS.
2. REFER TO PRODUCT DOCUMENTATION FOR ADDITIONAL DETAILS PRIOR TO INSTALLATION AND SITE PREPARATION WORK.
3. ALL DIMENSIONS ARE IN MILLIMETERS [INCHES].

THIS DRAWING AND SPECIFICATIONS HEREIN ARE THE PROPERTY OF SCHNEIDER ELECTRIC AND SHALL NOT BE COPIED, REPRODUCED OR USED IN WHOLE OR IN PART, AS THE BASIS FOR THE MANUFACTURE OR SALE OF ITEMS WITHOUT WRITTEN PERMISSION FROM SCHNEIDER ELECTRIC. THIS DRAWING IS BASED UPON LATEST AVAILABLE INFORMATION AND IS SUBJECT TO CHANGE WITHOUT NOTICE.



TITLE:
 Eco-Aisle (TM) Aisle Containment System
 CURTAIN DOOR MOUNTING BRACKETS
 CURTAIN DOOR COVER

PROJECT: SUBMITTAL DRAWINGS **SHEET** 4 OF 4

DWG NO: ACDC2410-2411		REV. 0
DRAWN BY: K.NAGENDRA	09-JUL-13	FIRST ANGLE PROJ
ENGINEER: RUSTIN SHI/MARK MENG	09-JUL-13	
APPROVED BY: AARON GRAFF	09-JUL-13	