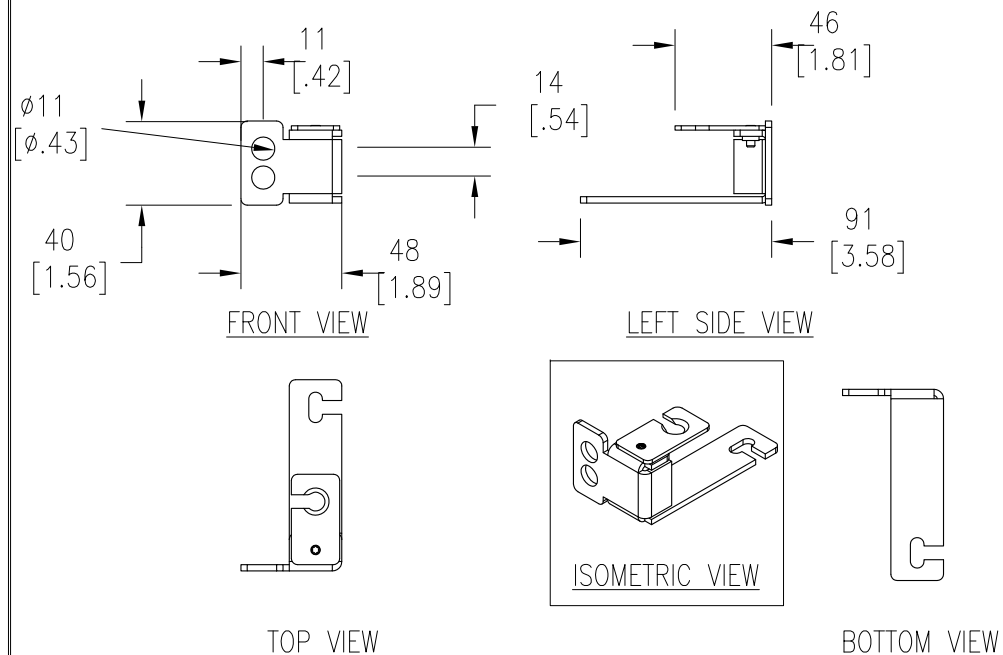
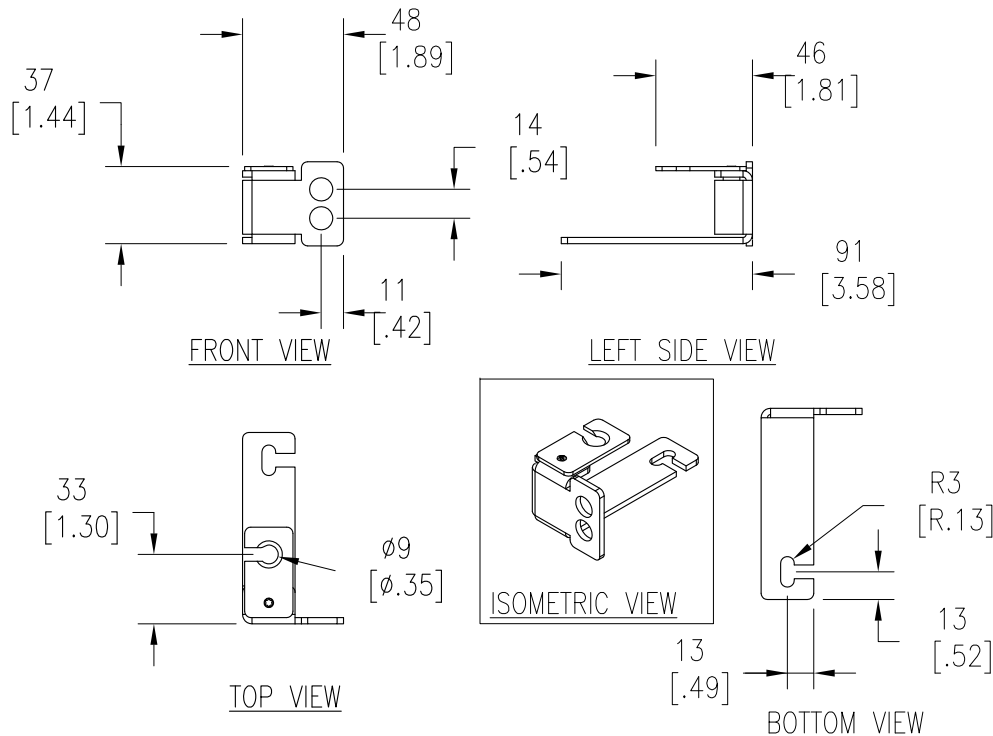


MOUNTING BRACKETS

ASSEMBLY BRACKETS LH & RH RACK



NOTES:

1. COMPLY WITH ALL APPLICABLE NATIONAL AND LOCAL ELECTRICAL REGULATIONS.
2. REFER TO PRODUCT DOCUMENTATION FOR ADDITIONAL DETAILS PRIOR TO INSTALLATION AND SITE PREPARATION WORK.
3. ALL DIMENSIONS ARE IN MILLIMETERS [INCHES].
4. NET WEIGHT (ALL BRACKETS INCLUDED) IS 1.10kg [2.42lbs]

THIS DRAWING AND SPECIFICATIONS HEREIN ARE THE PROPERTY OF SCHNEIDER ELECTRIC AND SHALL NOT BE COPIED, REPRODUCED OR USED IN WHOLE OR IN PART, AS THE BASIS FOR THE MANUFACTURE OR SALE OF ITEMS WITHOUT WRITTEN PERMISSION FROM SCHNEIDER ELECTRIC. THIS DRAWING IS BASED UPON LATEST AVAILABLE INFORMATION AND IS SUBJECT TO CHANGE WITHOUT NOTICE.

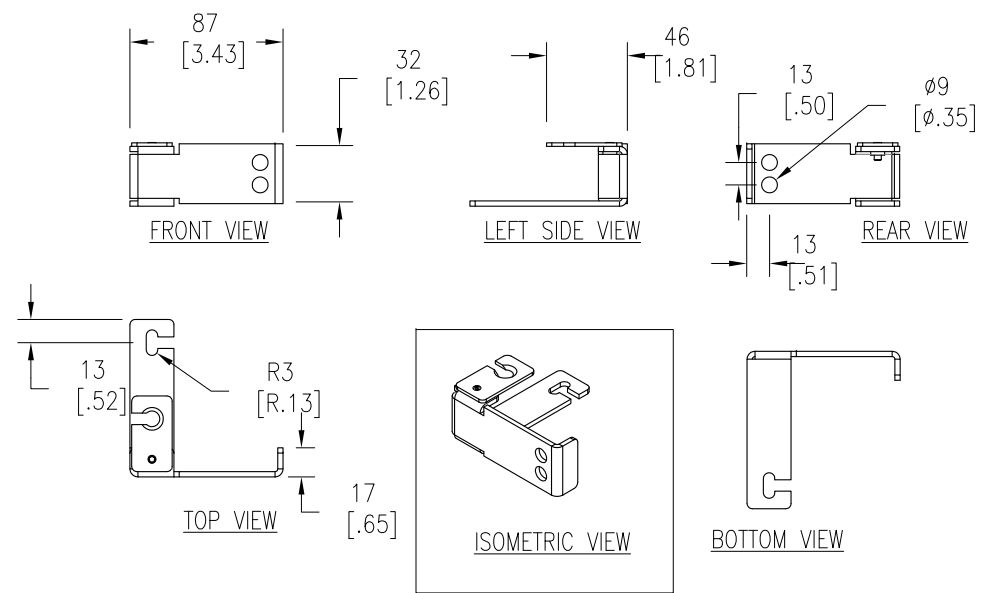
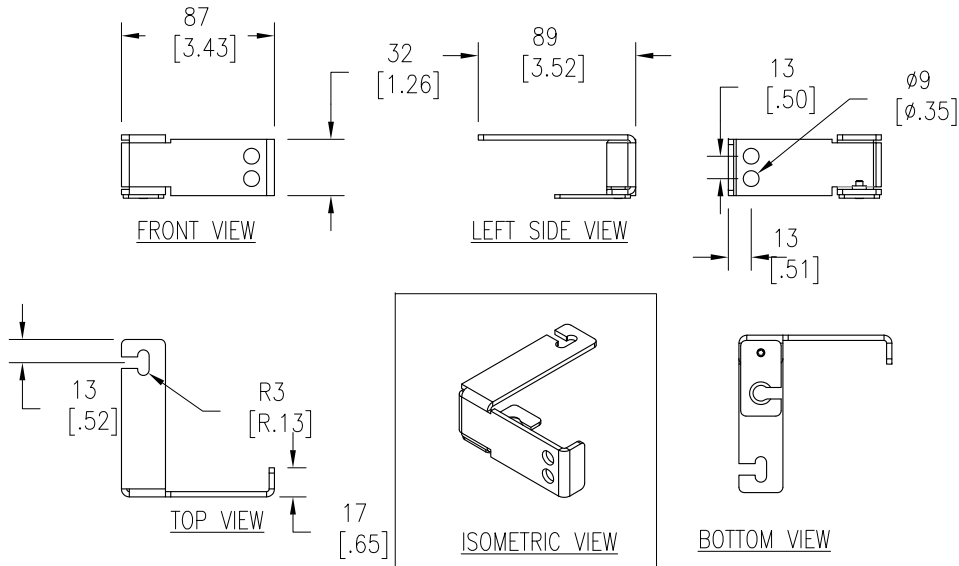


TITLE:
Eco-Aisle (TM) Aisle Containment System
MOUNTING BRKTS-CEILING PANEL RAIL
ASSY BRKT LH & RH RACK

PROJECT: SUBMITTAL DRAWINGS SHEET 1 OF 4

DWG NO:	ACDC2006	REV.	0
DRAWN BY:	K.NAGENDRA	08-JUL-13	FIRST
ENGINEER:	RUSTIN SHI/MARK MENG	08-JUL-13	ANGLE
APPROVED BY:	AARON GRAFF	08-JUL-13	PROJ

ASSEMBLY BRACKETS LH & RH HALF RACK



NOTES:

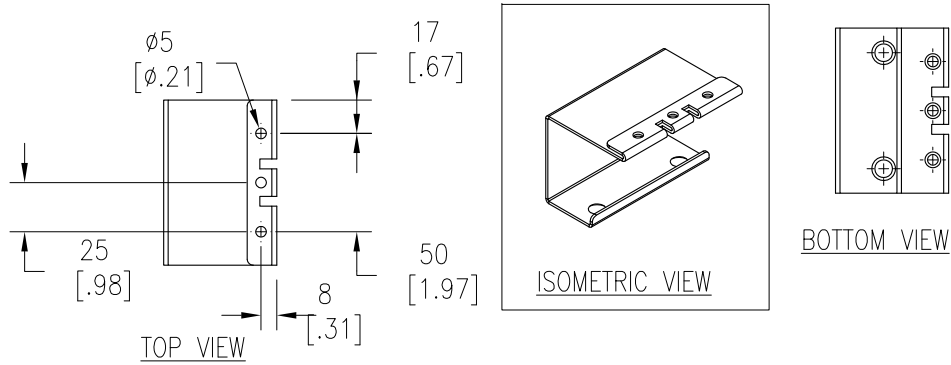
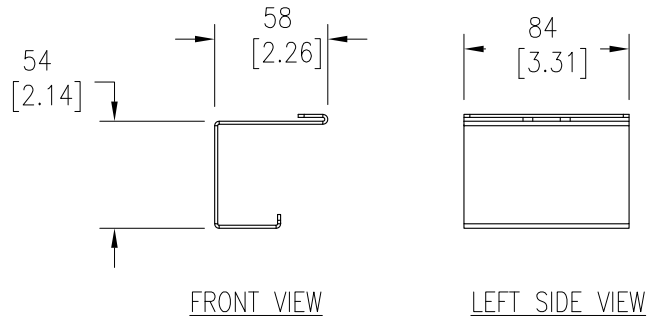
1. COMPLY WITH ALL APPLICABLE NATIONAL AND LOCAL ELECTRICAL REGULATIONS.
2. REFER TO PRODUCT DOCUMENTATION FOR ADDITIONAL DETAILS PRIOR TO INSTALLATION AND SITE PREPARATION WORK.
3. ALL DIMENSIONS ARE IN MILLIMETERS [INCHES].

THIS DRAWING AND SPECIFICATIONS HEREIN ARE THE PROPERTY OF SCHNEIDER ELECTRIC AND SHALL NOT BE COPIED, REPRODUCED OR USED IN WHOLE OR IN PART, AS THE BASIS FOR THE MANUFACTURE OR SALE OF ITEMS WITHOUT WRITTEN PERMISSION FROM SCHNEIDER ELECTRIC. THIS DRAWING IS BASED UPON LATEST AVAILABLE INFORMATION AND IS SUBJECT TO CHANGE WITHOUT NOTICE.

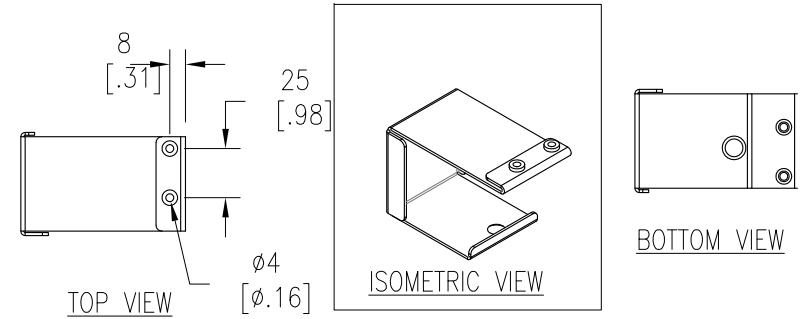
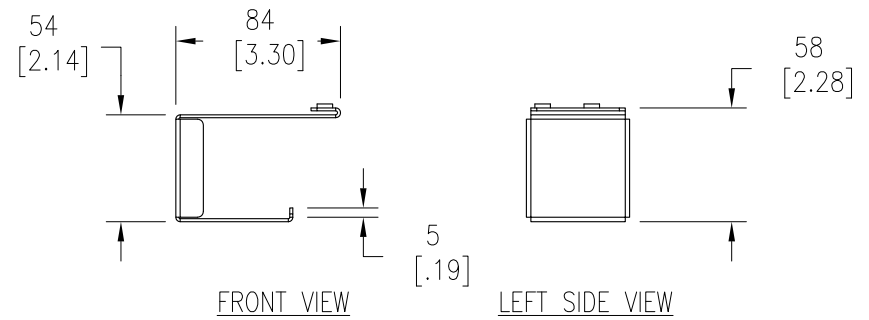


TITLE:		DWG NO: ACDC2006		REV. 0
Eco-Aisle (TM) Aisle Containment System MOUNTING BRKTS-CEILING PANEL RAIL ASSY BRKT LH & RH, HALF RACK		DRAWN BY: K.NAGENDRA	08-JUL-13	FIRST
PROJECT: SUBMITTAL DRAWINGS		ENGINEER: RUSTIN SHI/MARK MENG	08-JUL-13	ANGLE
SHEET 2 OF 4		APPROVED BY: AARON GRAFF	08-JUL-13	PROJ

BRACKET VX REAR DR RACK MTG ACS



BRACKET RH VX FRONT DR RACK



NOTES:

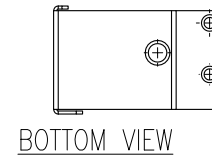
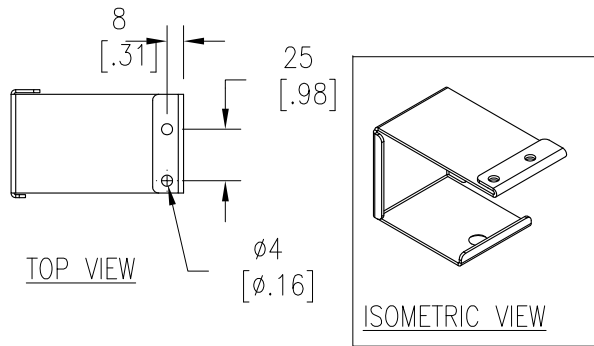
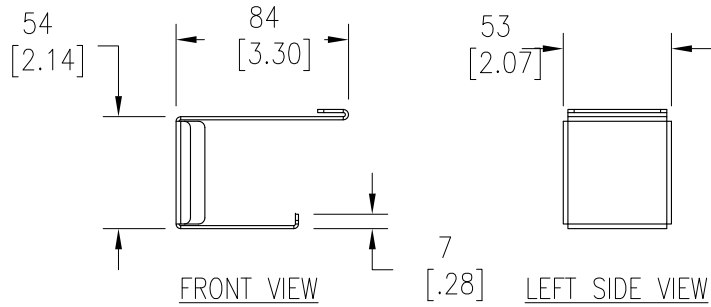
1. COMPLY WITH ALL APPLICABLE NATIONAL AND LOCAL ELECTRICAL REGULATIONS.
2. REFER TO PRODUCT DOCUMENTATION FOR ADDITIONAL DETAILS PRIOR TO INSTALLATION AND SITE PREPARATION WORK.
3. ALL DIMENSIONS ARE IN MILLIMETERS [INCHES].

THIS DRAWING AND SPECIFICATIONS HEREIN ARE THE PROPERTY OF SCHNEIDER ELECTRIC AND SHALL NOT BE COPIED, REPRODUCED OR USED IN WHOLE OR IN PART, AS THE BASIS FOR THE MANUFACTURE OR SALE OF ITEMS WITHOUT WRITTEN PERMISSION FROM SCHNEIDER ELECTRIC. THIS DRAWING IS BASED UPON LATEST AVAILABLE INFORMATION AND IS SUBJECT TO CHANGE WITHOUT NOTICE.



TITLE:		DWG NO: ACDC2006		REV. 0
Eco-Aisle (TM) Aisle Containment System MOUNTING BRKTS-CEILING PANEL RAIL BRACKET VX REAR & FRONT DOOR		DRAWN BY: K.NAGENDRA	08-JUL-13	FIRST
PROJECT: SUBMITTAL DRAWINGS		ENGINEER: RUSTIN SHI/MARK MENG	08-JUL-13	ANGLE
SHEET 3 OF 4		APPROVED BY: AARON GRAFF	08-JUL-13	PROJ

BRACKET LH VX FRONT DR RACK



NOTES:

1. COMPLY WITH ALL APPLICABLE NATIONAL AND LOCAL ELECTRICAL REGULATIONS.
2. REFER TO PRODUCT DOCUMENTATION FOR ADDITIONAL DETAILS PRIOR TO INSTALLATION AND SITE PREPARATION WORK.
3. ALL DIMENSIONS ARE IN MILLIMETERS [INCHES].

THIS DRAWING AND SPECIFICATIONS HEREIN ARE THE PROPERTY OF SCHNEIDER ELECTRIC AND SHALL NOT BE COPIED, REPRODUCED OR USED IN WHOLE OR IN PART, AS THE BASIS FOR THE MANUFACTURE OR SALE OF ITEMS WITHOUT WRITTEN PERMISSION FROM SCHNEIDER ELECTRIC. THIS DRAWING IS BASED UPON LATEST AVAILABLE INFORMATION AND IS SUBJECT TO CHANGE WITHOUT NOTICE.



TITLE:		DWG NO: ACDC2006		REV. 0
Eco-Aisle (TM) Aisle Containment System MOUNTING BRKTS-CEILING PANEL RAIL BRACKET LH VX FRONT DR		DRAWN BY: K.NAGENDRA	08-JUL-13	FIRST
PROJECT: SUBMITTAL DRAWINGS		ENGINEER: RUSTIN SHI/MARK MENG	08-JUL-13	ANGLE
SHEET 4 OF 4		APPROVED BY: AARON GRAFF	08-JUL-13	PROJ