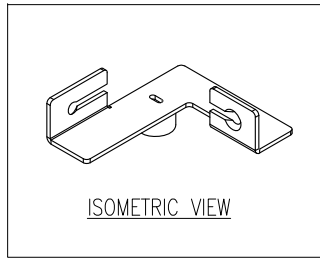
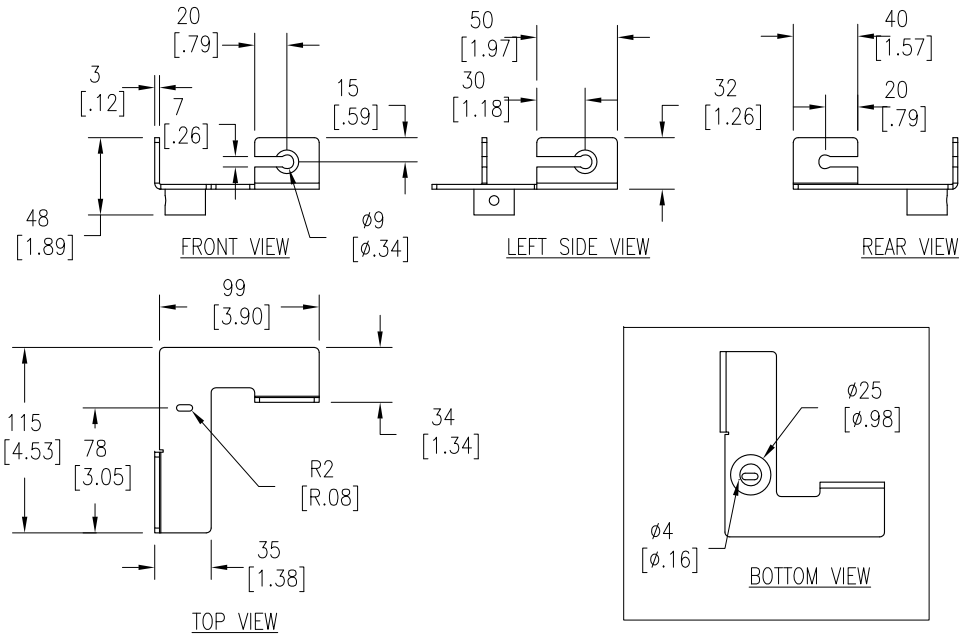
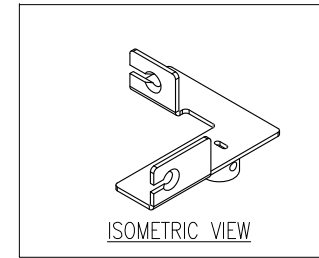
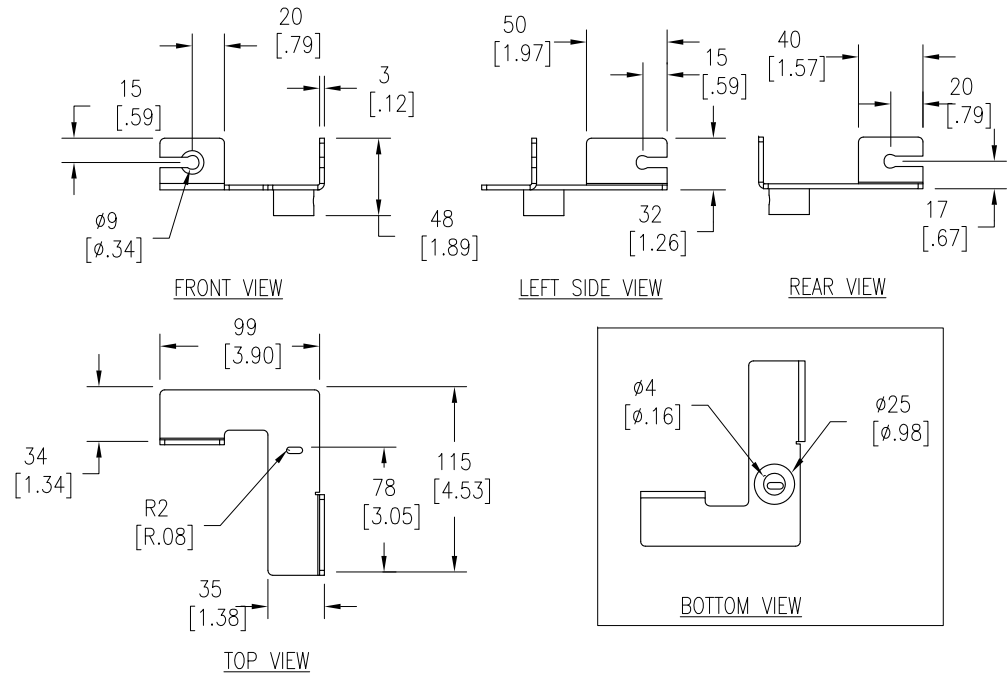


ASSY BRACKET OFFSET-RH



ASSY BRACKET OFFSET-LH



NOTES:

1. COMPLY WITH ALL APPLICABLE NATIONAL AND LOCAL ELECTRICAL REGULATIONS.
2. REFER TO PRODUCT DOCUMENTATION FOR ADDITIONAL DETAILS PRIOR TO INSTALLATION AND SITE PREPARATION WORK.
3. ALL DIMENSIONS ARE IN MILLIMETERS [INCHES].
4. NET WEIGHT (ALL BRACKETS INCLUDED) IS 1.17kg [2.58lbs]

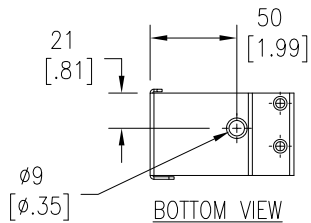
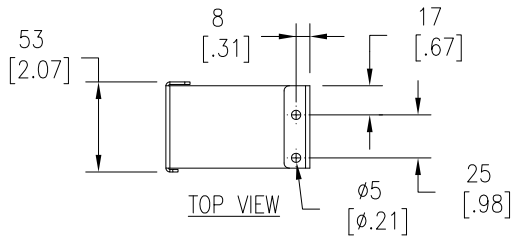
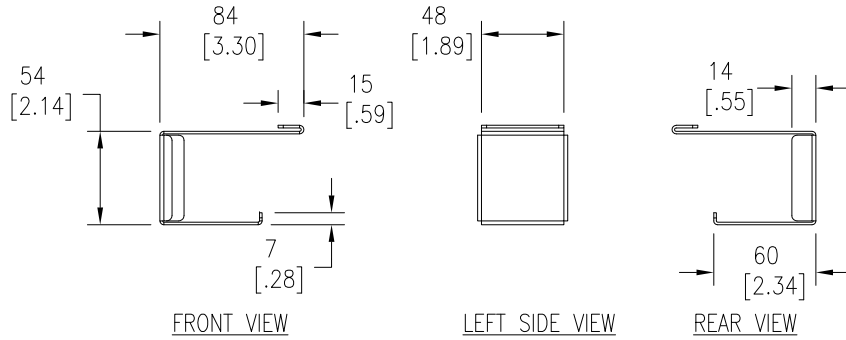
THIS DRAWING AND SPECIFICATIONS HEREIN ARE THE PROPERTY OF SCHNEIDER ELECTRIC AND SHALL NOT BE COPIED, REPRODUCED OR USED IN WHOLE OR IN PART, AS THE BASIS FOR THE MANUFACTURE OR SALE OF ITEMS WITHOUT WRITTEN PERMISSION FROM SCHNEIDER ELECTRIC. THIS DRAWING IS BASED UPON LATEST AVAILABLE INFORMATION AND IS SUBJECT TO CHANGE WITHOUT NOTICE.



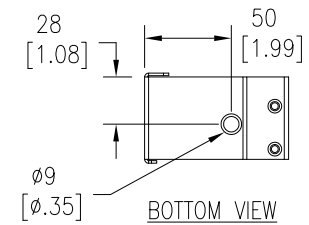
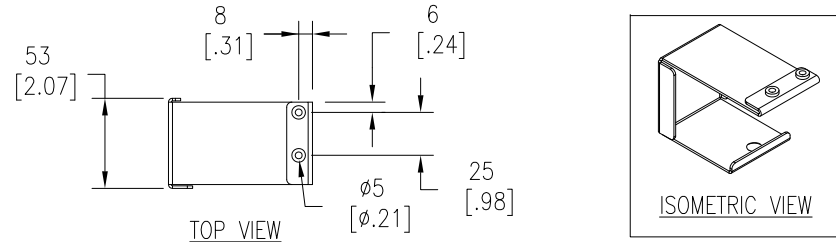
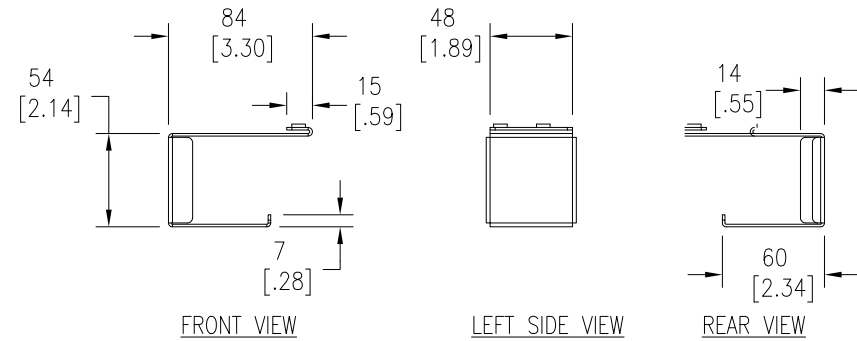
TITLE: Eco-Aisle (TM) Aisle Containment System MOUNTING BRKT-ADJ.MTG.SUPPORT(POWER) ASSY BRKT OFFSET-RH & LH
 PROJECT: SUBMITTAL DRAWINGS SHEET 1 OF 4

DWG NO:	ACDC2205	REV.	0
DRAWN BY:	K.NAGENDRA	03-JUL-13	FIRST
ENGINEER:	RUSTIN SHI/MARK MENG	03-JUL-13	ANGLE
APPROVED BY:	AARON GRAFF	03-JUL-13	PROJ

BRKT LH VX FRONT



BRKT RH VX FRONT



NOTES:

1. COMPLY WITH ALL APPLICABLE NATIONAL AND LOCAL ELECTRICAL REGULATIONS.
2. REFER TO PRODUCT DOCUMENTATION FOR ADDITIONAL DETAILS PRIOR TO INSTALLATION AND SITE PREPARATION WORK.
3. ALL DIMENSIONS ARE IN MILLIMETERS [INCHES].

THIS DRAWING AND SPECIFICATIONS HEREIN ARE THE PROPERTY OF SCHNEIDER ELECTRIC AND SHALL NOT BE COPIED, REPRODUCED OR USED IN WHOLE OR IN PART, AS THE BASIS FOR THE MANUFACTURE OR SALE OF ITEMS WITHOUT WRITTEN PERMISSION FROM SCHNEIDER ELECTRIC. THIS DRAWING IS BASED UPON LATEST AVAILABLE INFORMATION AND IS SUBJECT TO CHANGE WITHOUT NOTICE.

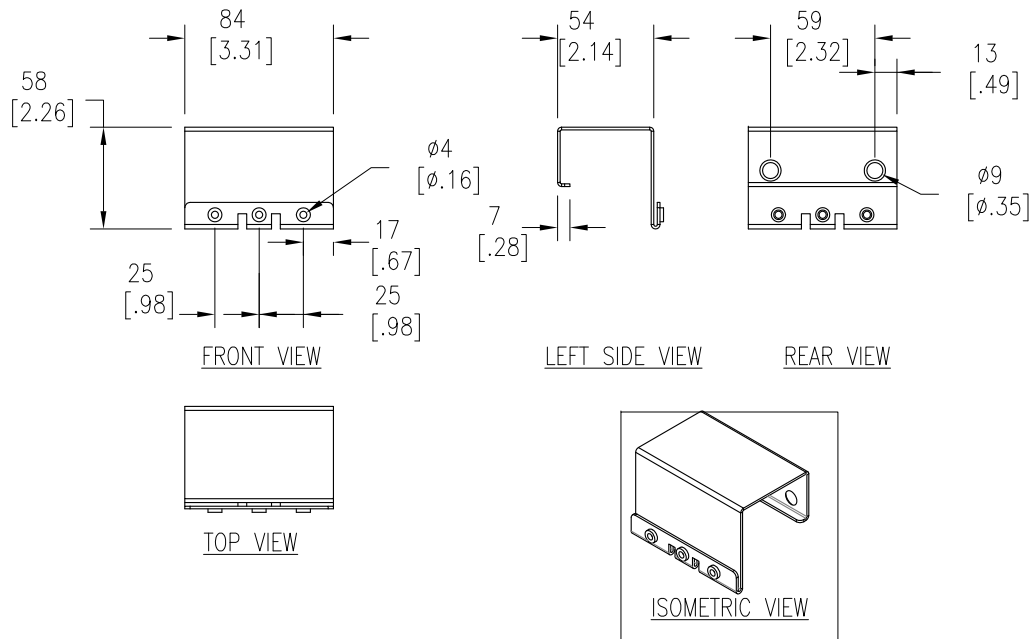


TITLE:
Eco-Aisle (TM) Aisle Containment System
MOUNTING BRKT-ADJ.MTG.SUPPORT(POWER)
BRKT VX FRONT LH & RH

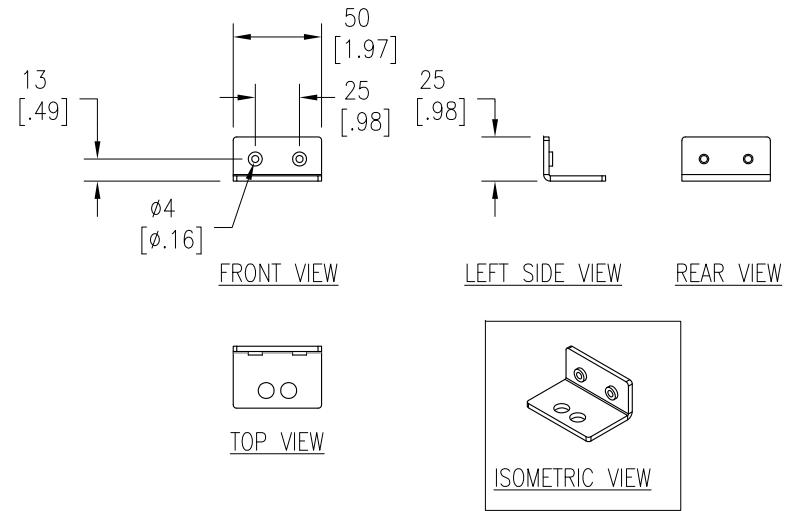
PROJECT: SUBMITTAL DRAWINGS SHEET 2 OF 4

DWG NO:	ACDC2205	REV.	0
DRAWN BY:	K.NAGENDRA	03-JUL-13	FIRST
ENGINEER:	RUSTIN SHI/MARK MENG	03-JUL-13	ANGLE
APPROVED BY:	AARON GRAFF	03-JUL-13	PROJ

BRKT VX REAR MTG. ACS



BRKT MPDU-LH



NOTES:

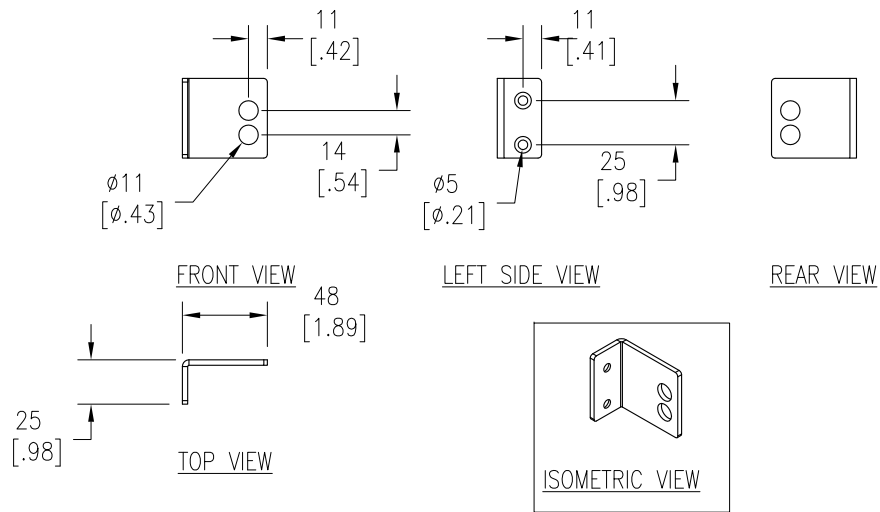
1. COMPLY WITH ALL APPLICABLE NATIONAL AND LOCAL ELECTRICAL REGULATIONS.
2. REFER TO PRODUCT DOCUMENTATION FOR ADDITIONAL DETAILS PRIOR TO INSTALLATION AND SITE PREPARATION WORK.
3. ALL DIMENSIONS ARE IN MILLIMETERS [INCHES].

THIS DRAWING AND SPECIFICATIONS HEREIN ARE THE PROPERTY OF SCHNEIDER ELECTRIC AND SHALL NOT BE COPIED, REPRODUCED OR USED IN WHOLE OR IN PART, AS THE BASIS FOR THE MANUFACTURE OR SALE OF ITEMS WITHOUT WRITTEN PERMISSION FROM SCHNEIDER ELECTRIC. THIS DRAWING IS BASED UPON LATEST AVAILABLE INFORMATION AND IS SUBJECT TO CHANGE WITHOUT NOTICE.

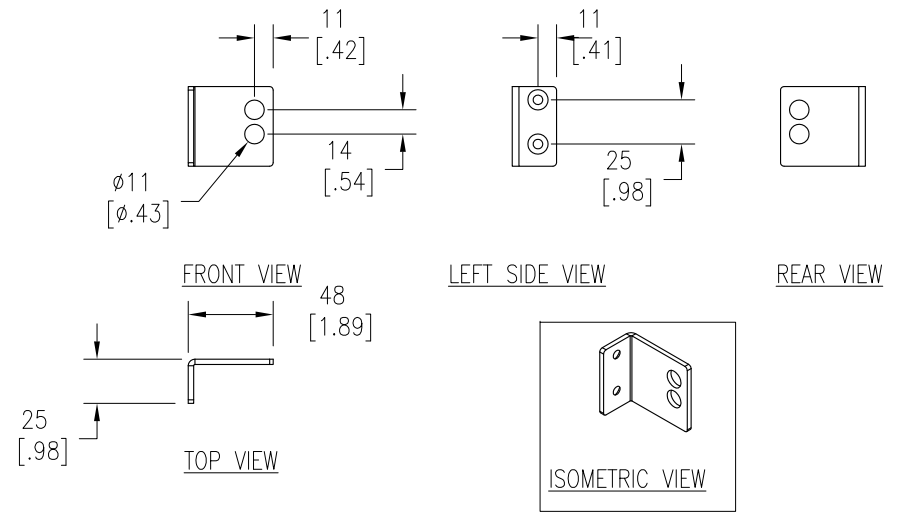


TITLE:		DWG NO: ACDC2205		REV. 0
Eco-Aisle (TM) Aisle Containment System MOUNTING BRKT-ADJ.MTG.SUPPORT(POWER) BRKT REAR MTG ACS & MPDU		DRAWN BY: K.NAGENDRA	03-JUL-13	FIRST
PROJECT: SUBMITTAL DRAWINGS		ENGINEER: RUSTIN SHI/MARK MENG	03-JUL-13	ANGLE
SHEET 3 OF 4		APPROVED BY: AARON GRAFF	03-JUL-13	PROJ

BRKT SPDU-RH



BRKT SPDU-LH



NOTES:

1. COMPLY WITH ALL APPLICABLE NATIONAL AND LOCAL ELECTRICAL REGULATIONS.
2. REFER TO PRODUCT DOCUMENTATION FOR ADDITIONAL DETAILS PRIOR TO INSTALLATION AND SITE PREPARATION WORK.
3. ALL DIMENSIONS ARE IN MILLIMETERS [INCHES].

THIS DRAWING AND SPECIFICATIONS HEREIN ARE THE PROPERTY OF SCHNEIDER ELECTRIC AND SHALL NOT BE COPIED, REPRODUCED OR USED IN WHOLE OR IN PART, AS THE BASIS FOR THE MANUFACTURE OR SALE OF ITEMS WITHOUT WRITTEN PERMISSION FROM SCHNEIDER ELECTRIC. THIS DRAWING IS BASED UPON LATEST AVAILABLE INFORMATION AND IS SUBJECT TO CHANGE WITHOUT NOTICE.



TITLE:
Eco-Aisle (TM) Aisle Containment System
MOUNTING BRKT-ADJ.MTG.SUPPORT(POWER)
BRKT SPDU LH & RH

PROJECT: SUBMITTAL DRAWINGS SHEET 4 OF 4

DWG NO:	ACDC2205	REV.	0
DRAWN BY:	K.NAGENDRA	03-JUL-13	FIRST
ENGINEER:	RUSTIN SHI/MARK MENG	03-JUL-13	ANGLE
APPROVED BY:	AARON GRAFF	03-JUL-13	PROJ