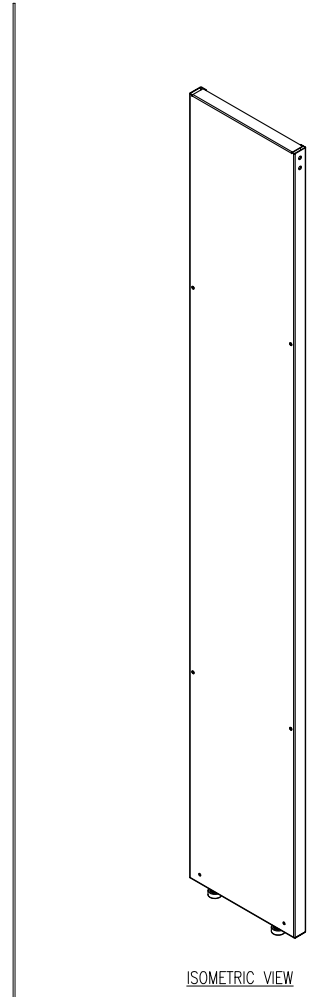
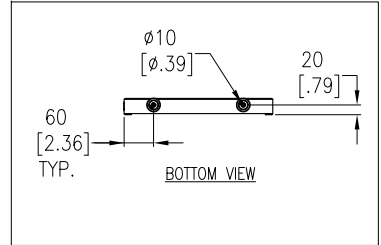
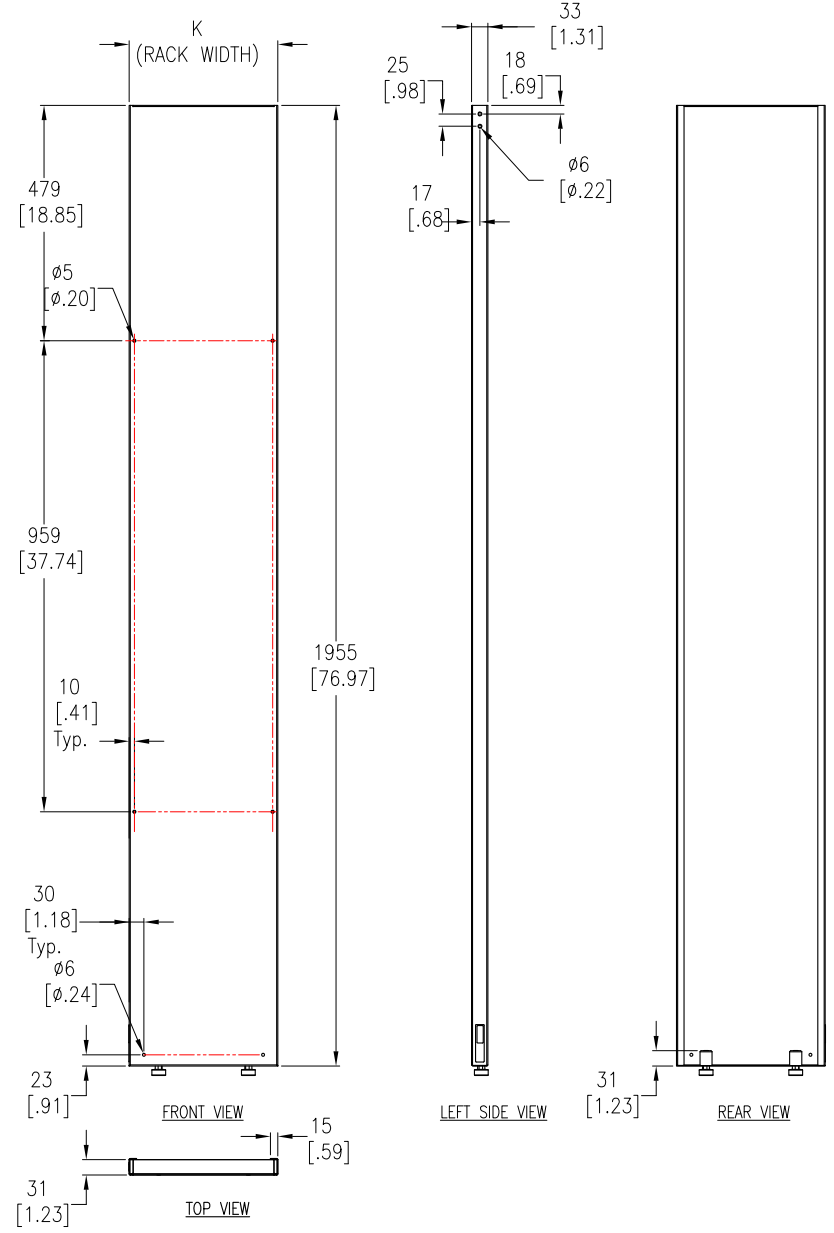


ASSEMBLY- BLANKING PANEL (42U-48U SX/ 42U VX)

ACDC2575-2578



4

BLANKING PANEL DETAILS

SKU No.	DESCRIPTION	K, mm (inch)	Weight, kg (lbs)
ACDC2575	BLANKING PANEL, 42U-48U SX / 42U VX, 300mm	303 [11.91]	11.51 [25.32]
ACDC2576	BLANKING PANEL, 42U-48U SX / 42U VX, 600mm	600 [23.64]	18.57 [40.86]
ACDC2577	BLANKING PANEL, 42U-48U SX / 42U VX, 700mm	700 [27.56]	21.19 [46.61]
ACDC2578	BLANKING PANEL, 42U-48U SX / 42U VX, 750mm	750 [29.53]	22.38 [49.24]

5

NOTES:

1. COMPLY WITH ALL APPLICABLE NATIONAL AND LOCAL ELECTRICAL REGULATIONS.
2. REFER TO PRODUCT DOCUMENTATION FOR ADDITIONAL DETAILS PRIOR TO INSTALLATION AND SITE PREPARATION WORK.
3. ALL DIMENSIONS ARE IN MILLIMETERS [INCHES].
4. NET WEIGHT OF UNIT-REFER TO TABLE
5. TYPICAL ARRANGEMENT SHOWN FOR BLANKING PLATE 300mm(11.81in) WIDTH & 42U HEIGHT CONFIGURATION.

THIS DRAWING AND SPECIFICATIONS HEREIN ARE THE PROPERTY OF SCHNEIDER ELECTRIC AND SHALL NOT BE COPIED, REPRODUCED OR USED IN WHOLE OR IN PART, AS THE BASIS FOR THE MANUFACTURE OR SALE OF ITEMS WITHOUT WRITTEN PERMISSION FROM SCHNEIDER ELECTRIC. THIS DRAWING IS BASED UPON LATEST AVAILABLE INFORMATION AND IS SUBJECT TO CHANGE WITHOUT NOTICE.



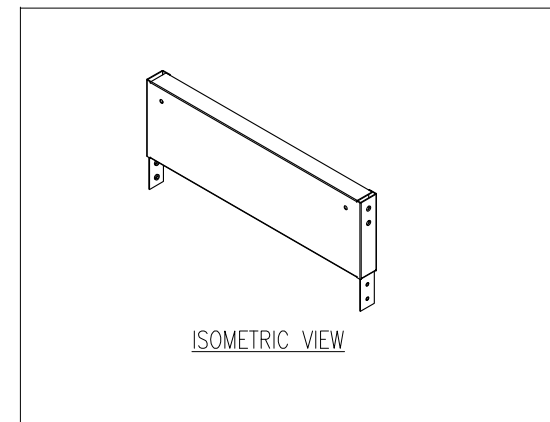
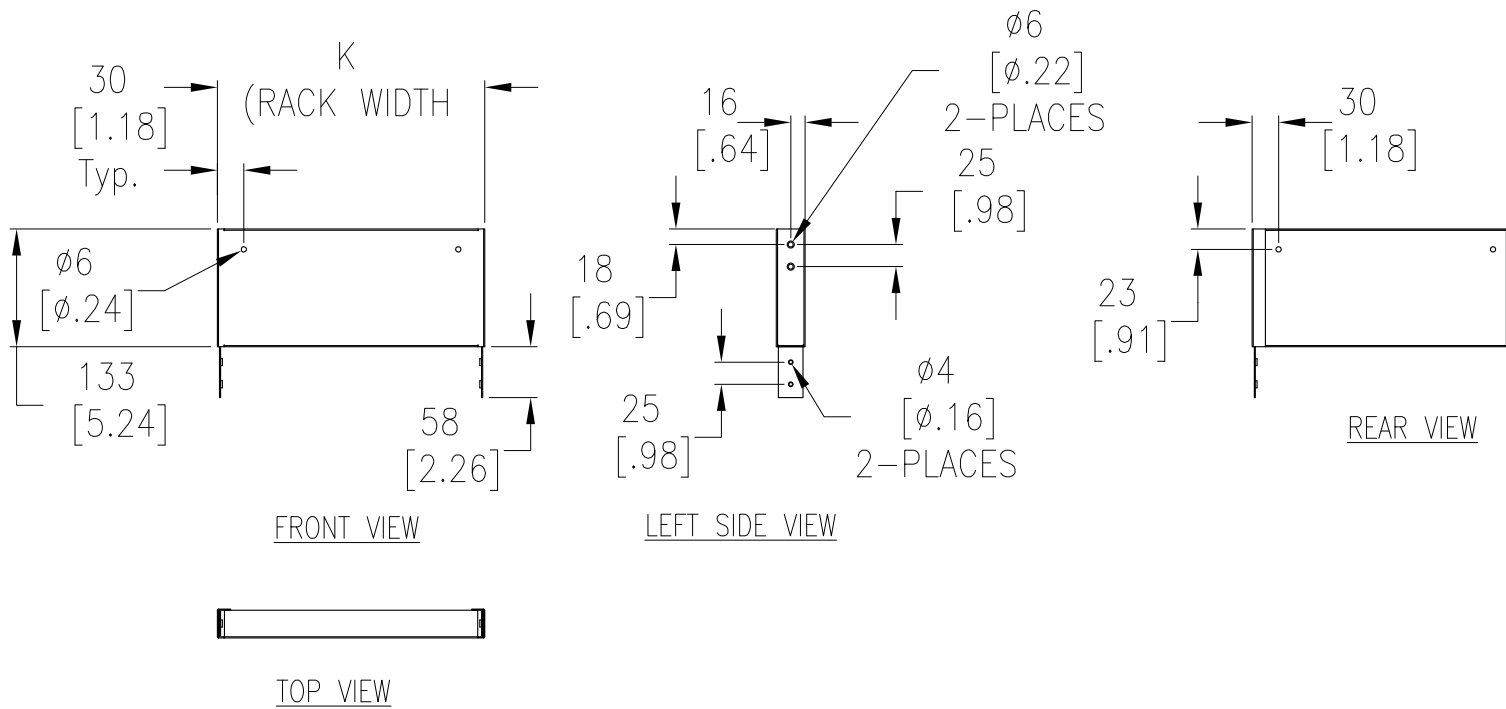
TITLE: Thermal Containment System
BLANKING PANEL INSTALLATION
ACCESSORIES
BLANKING PANEL ASSEMBLY

PROJECT: SUBMITTAL DRAWINGS SHEET 1 OF 8

DWG NO:	ACDC2575-2578	REV.	1
DRAWN BY:	K.NAGENDRA	26-FEB-15	FIRST
ENGINEER:	JASON LJ/MARK MENG	26-FEB-15	ANGLE
APPROVED BY:	MARK GRAY/NOV SCHNEIDER/NOV SCHNEIDER	26-FEB-15	PROJ

EXTENSION-1 (42U-48U SX/42U VX)

300mm-750mm



NOTES:

1. COMPLY WITH ALL APPLICABLE NATIONAL AND LOCAL ELECTRICAL REGULATIONS.
2. REFER TO PRODUCT DOCUMENTATION FOR ADDITIONAL DETAILS PRIOR TO INSTALLATION AND SITE PREPARATION WORK.
3. ALL DIMENSIONS ARE IN MILLIMETERS [INCHES].

THIS DRAWING AND SPECIFICATIONS HEREIN ARE THE PROPERTY OF SCHNEIDER ELECTRIC AND SHALL NOT BE COPIED, REPRODUCED OR USED IN WHOLE OR IN PART, AS THE BASIS FOR THE MANUFACTURE OR SALE OF ITEMS WITHOUT WRITTEN PERMISSION FROM SCHNEIDER ELECTRIC. THIS DRAWING IS BASED UPON LATEST AVAILABLE INFORMATION AND IS SUBJECT TO CHANGE WITHOUT NOTICE.



TITLE: Thermal Containment System
BLANKING PANEL INSTALLATION
ACCESSORIES
EXTENSION PANEL 133mm LENGTH

DWG NO: ACDC2575-2578

REV. 0

DRAWN BY: K.NAGENDRA 26-FEB-15 FIRST

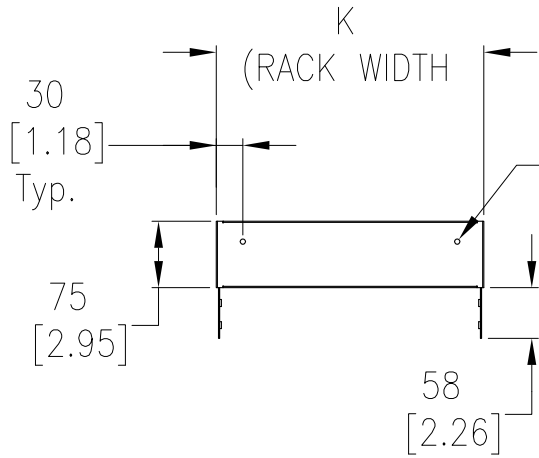
ENGINEER: JASON LJ/MARK MENG 26-FEB-15 ANGLE

APPROVED BY: HARRON GRAFF/MICK SCHWESBOTH 26-FEB-15 PROJ

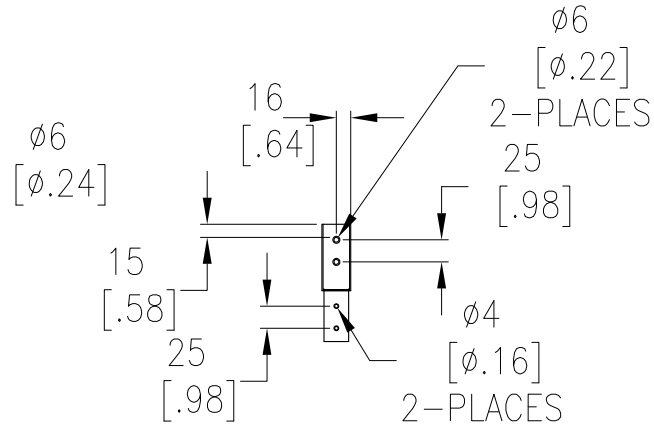
PROJECT: SUBMITTAL DRAWINGS SHEET 2 OF 8

EXTENSION-2 (42U-48U SX/42U VX)

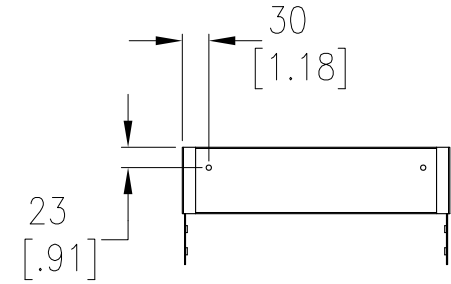
300mm-750mm



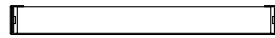
FRONT VIEW



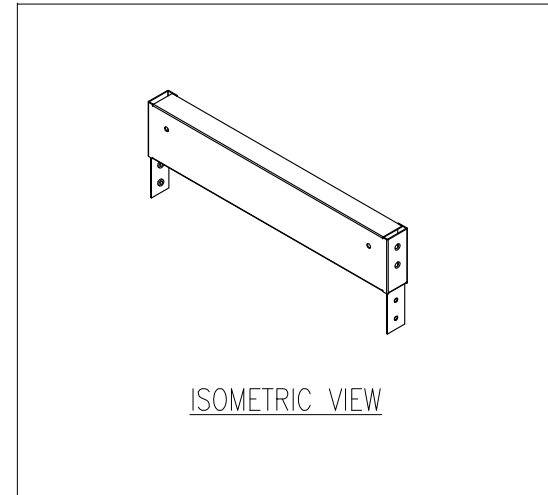
LEFT SIDE VIEW



REAR VIEW



TOP VIEW



ISOMETRIC VIEW

NOTES:

1. COMPLY WITH ALL APPLICABLE NATIONAL AND LOCAL ELECTRICAL REGULATIONS.
2. REFER TO PRODUCT DOCUMENTATION FOR ADDITIONAL DETAILS PRIOR TO INSTALLATION AND SITE PREPARATION WORK.
3. ALL DIMENSIONS ARE IN MILLIMETERS [INCHES].

THIS DRAWING AND SPECIFICATIONS HEREIN ARE THE PROPERTY OF SCHNEIDER ELECTRIC AND SHALL NOT BE COPIED, REPRODUCED OR USED IN WHOLE OR IN PART, AS THE BASIS FOR THE MANUFACTURE OR SALE OF ITEMS WITHOUT WRITTEN PERMISSION FROM SCHNEIDER ELECTRIC. THIS DRAWING IS BASED UPON LATEST AVAILABLE INFORMATION AND IS SUBJECT TO CHANGE WITHOUT NOTICE.



TITLE: Thermal Containment System
BLANKING PANEL INSTALLATION
ACCESSORIES
EXTENSIONS 75mm LENGTH

DWG NO: ACDC2575-2578 REV. 0

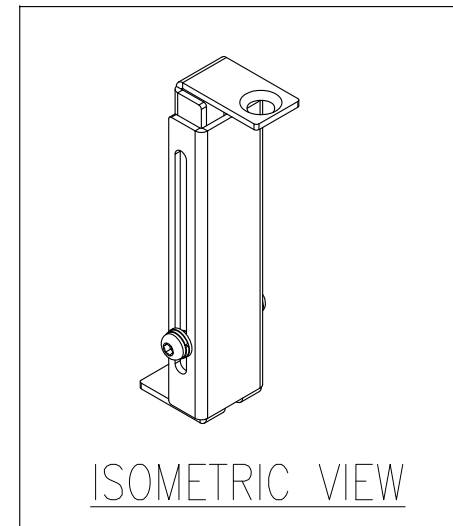
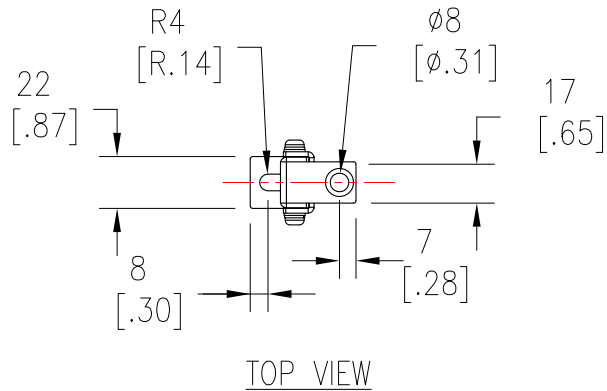
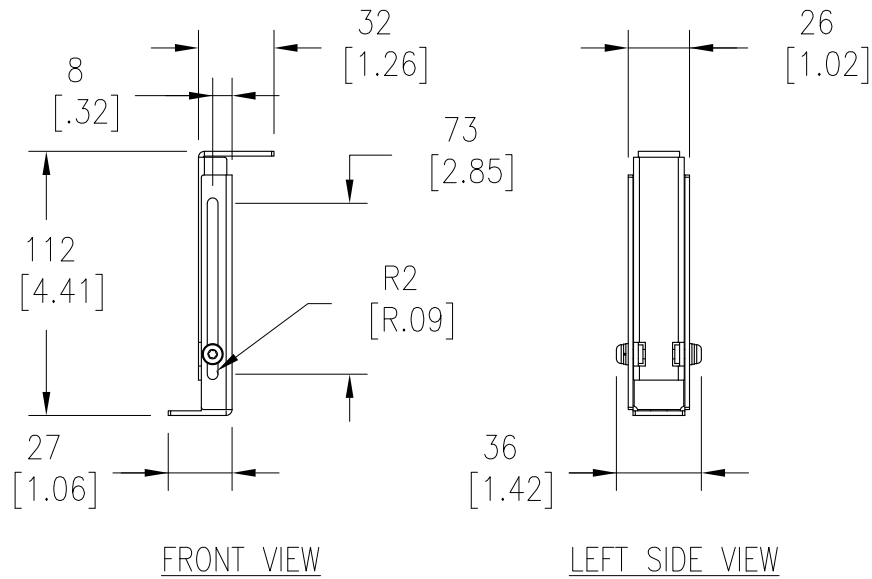
DRAWN BY: K.NAGENDRA 26-FEB-15 FIRST

ENGINEER: JASON LJ/MARK MENG 26-FEB-15 ANGLE

PROJECT: SUBMITTAL DRAWINGS SHEET 3 OF 8

APPROVED BY: HARRON GRAFF/MCK SCHWESBOTH 26-FEB-15 PROJ

112mm HEIGHT ADAPTOR KIT (42U-48U SX/42U VX)



NOTES:

1. COMPLY WITH ALL APPLICABLE NATIONAL AND LOCAL ELECTRICAL REGULATIONS.
2. REFER TO PRODUCT DOCUMENTATION FOR ADDITIONAL DETAILS PRIOR TO INSTALLATION AND SITE PREPARATION WORK.
3. ALL DIMENSIONS ARE IN MILLIMETERS [INCHES].

THIS DRAWING AND SPECIFICATIONS HEREIN ARE THE PROPERTY OF SCHNEIDER ELECTRIC AND SHALL NOT BE COPIED, REPRODUCED OR USED IN WHOLE OR IN PART, AS THE BASIS FOR THE MANUFACTURE OR SALE OF ITEMS WITHOUT WRITTEN PERMISSION FROM SCHNEIDER ELECTRIC. THIS DRAWING IS BASED UPON LATEST AVAILABLE INFORMATION AND IS SUBJECT TO CHANGE WITHOUT NOTICE.



TITLE: Thermal Containment System
BLANKING PANEL INSTALLATION
ACCESSORIES
HEIGHT ADAPTOR KIT-112mm

DWG NO: ACDC2575-2578

REV. 0

DRAWN BY: K.NAGENDRA 26-FEB-15

FIRST

ENGINEER: JASON LJ/MARK MENG 26-FEB-15

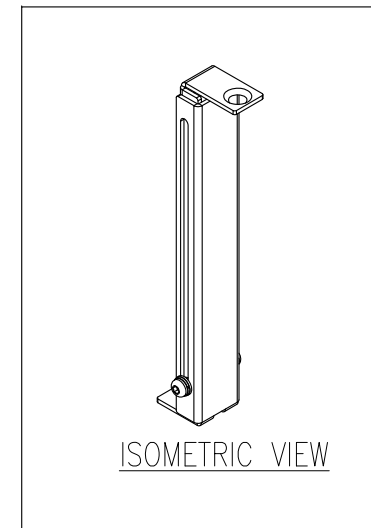
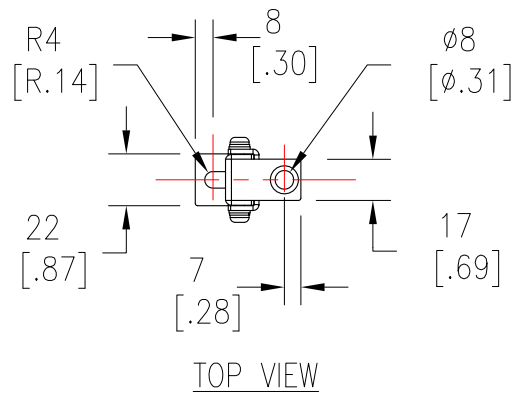
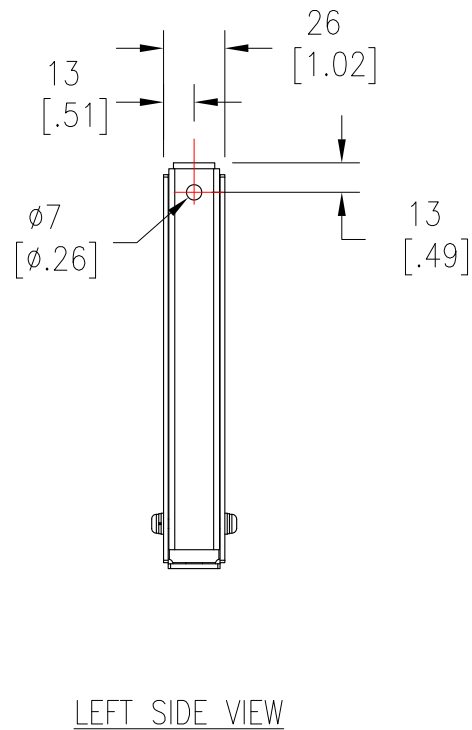
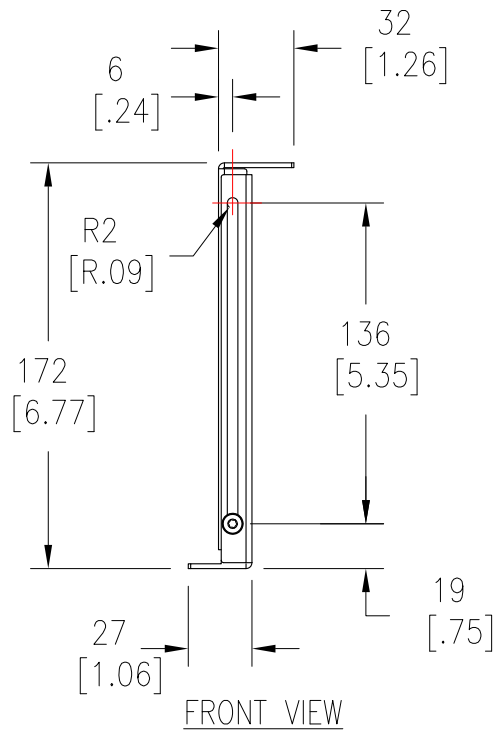
ANGLE

PROJECT: SUBMITTAL DRAWINGS SHEET 4 OF 8

APPROVED BY: HARRON GRAFF/MAX SCHWESBOTH 26-FEB-15

PROJ

172mm HEIGHT ADAPTOR KIT (42U-48U SX/42U VX)



NOTES:

1. COMPLY WITH ALL APPLICABLE NATIONAL AND LOCAL ELECTRICAL REGULATIONS.
2. REFER TO PRODUCT DOCUMENTATION FOR ADDITIONAL DETAILS PRIOR TO INSTALLATION AND SITE PREPARATION WORK.
3. ALL DIMENSIONS ARE IN MILLIMETERS [INCHES].

THIS DRAWING AND SPECIFICATIONS HEREIN ARE THE PROPERTY OF SCHNEIDER ELECTRIC AND SHALL NOT BE COPIED, REPRODUCED OR USED IN WHOLE OR IN PART, AS THE BASIS FOR THE MANUFACTURE OR SALE OF ITEMS WITHOUT WRITTEN PERMISSION FROM SCHNEIDER ELECTRIC. THIS DRAWING IS BASED UPON LATEST AVAILABLE INFORMATION AND IS SUBJECT TO CHANGE WITHOUT NOTICE.



TITLE: Thermal Containment System
BLANKING PANEL INSTALLATION
ACCESSORIES
HEIGHT ADAPTOR KIT-172mm

DWG NO: ACDC2575-2578 REV. 0

DRAWN BY: K.NAGENDRA 26-FEB-15 FIRST

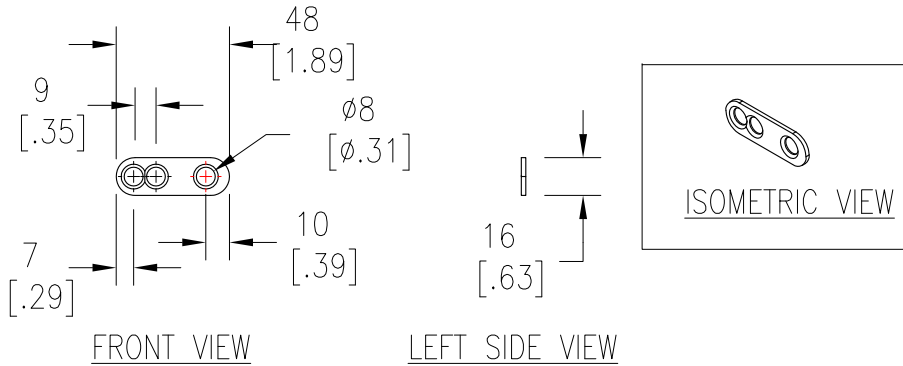
ENGINEER: JASON LI/MARK MENG 26-FEB-15 ANGLE

PROJECT: SUBMITTAL DRAWINGS SHEET 5 OF 8

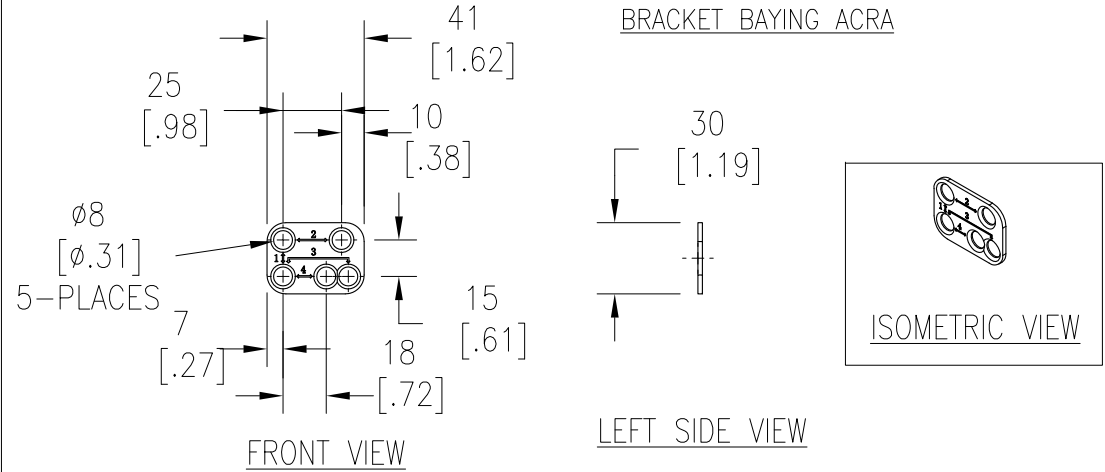
APPROVED BY: HARRON GRAFF/MICK SCHWESBOTH 26-FEB-15 PROJ

BAYING BRACKETS (42U-48U SX/42U VX)

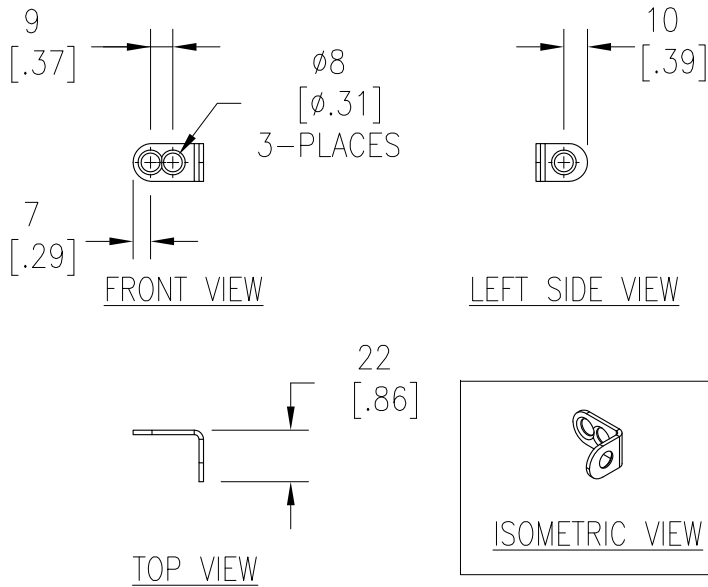
BAYING BRACKET NETSHELTER SX



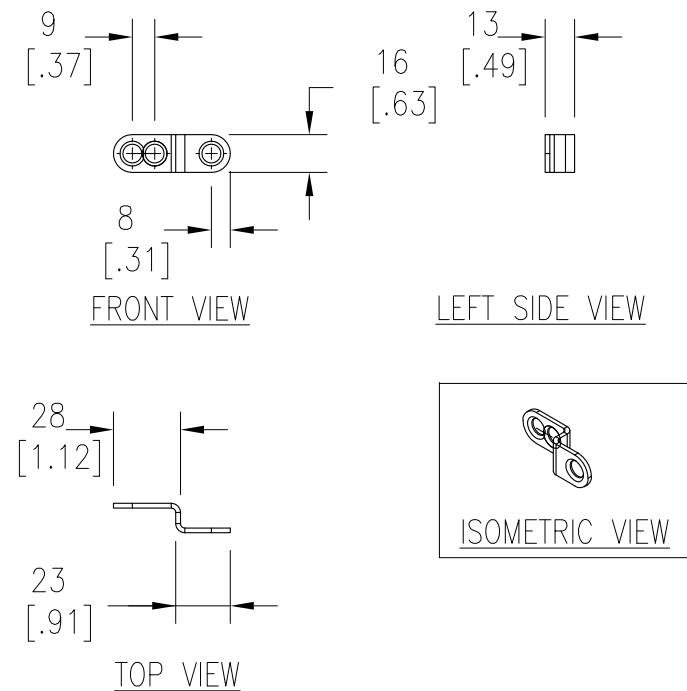
BRACKET BAYING ACRA



BAYING AIRFLOW SOLUTION



BRACKET RPP BAYING



NOTES:

1. COMPLY WITH ALL APPLICABLE NATIONAL AND LOCAL ELECTRICAL REGULATIONS.
2. REFER TO PRODUCT DOCUMENTATION FOR ADDITIONAL DETAILS PRIOR TO INSTALLATION AND SITE PREPARATION WORK.
3. ALL DIMENSIONS ARE IN MILLIMETERS [INCHES].

THIS DRAWING AND SPECIFICATIONS HEREIN ARE THE PROPERTY OF SCHNEIDER ELECTRIC AND SHALL NOT BE COPIED, REPRODUCED OR USED IN WHOLE OR IN PART, AS THE BASIS FOR THE MANUFACTURE OR SALE OF ITEMS WITHOUT WRITTEN PERMISSION FROM SCHNEIDER ELECTRIC. THIS DRAWING IS BASED UPON LATEST AVAILABLE INFORMATION AND IS SUBJECT TO CHANGE WITHOUT NOTICE.

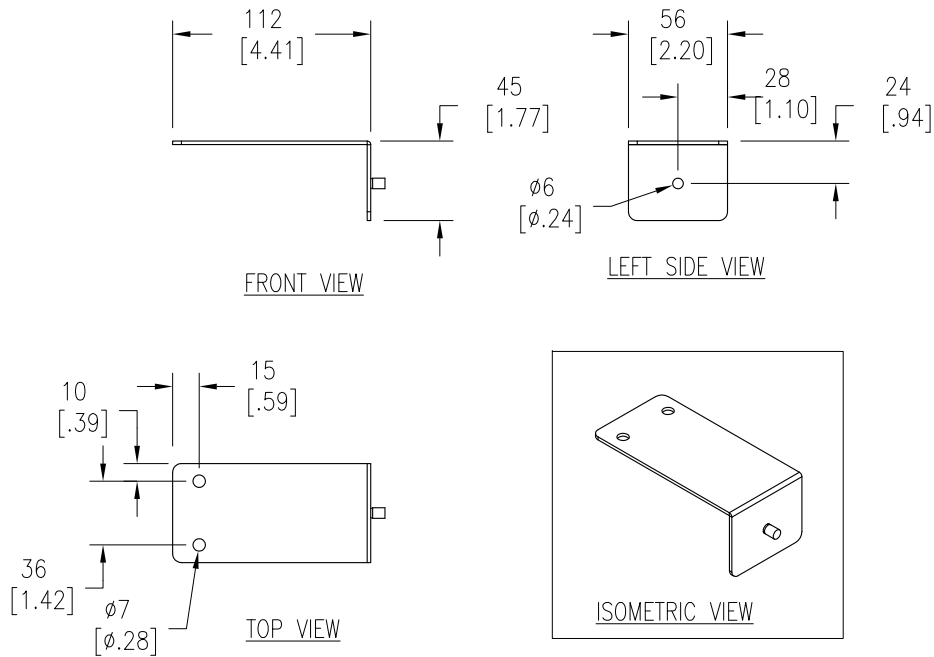


TITLE: Thermal Containment System
BLANKING PANEL INSTALLATION
ACCESSORIES
BAYING BRKT (SX, ACRA, RPP & AIRFLOW)
PROJECT: SUBMITTAL DRAWINGS SHEET 6 OF 8

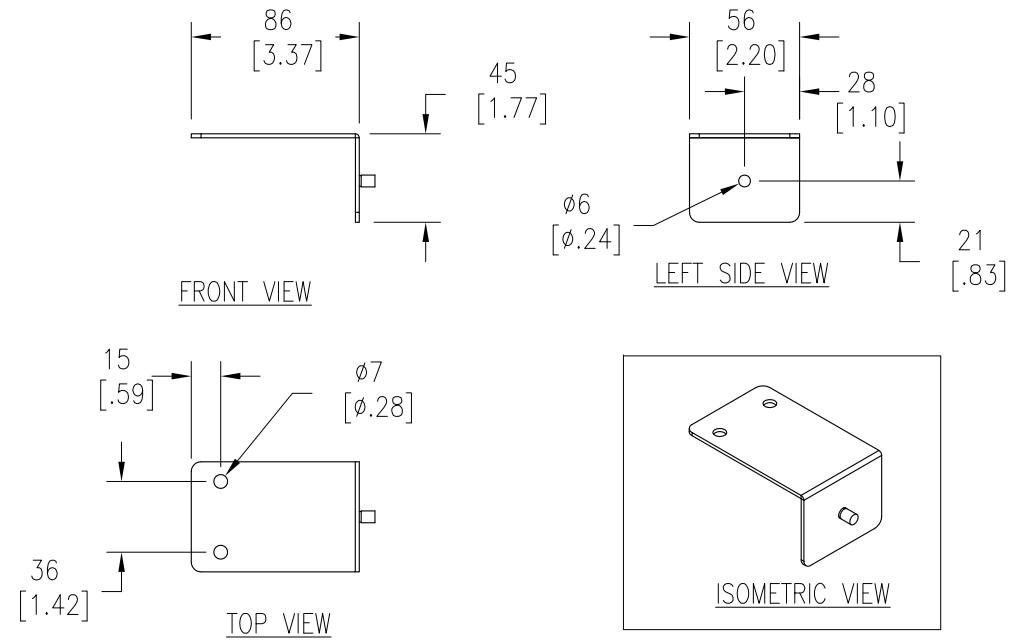
DWG NO:	ACDC2575-2578	REV:	0
DRAWN BY:	K.NAGENDRA	26-FEB-15	FIRST
ENGINEER:	JASON LJ/MARK MENG	26-FEB-15	ANGLE
APPROVED BY:	YARON GRAFF/NOX SCHMESSBOTH	26-FEB-15	PROJ

BRACKETS (42U-48U SX/42U VX)

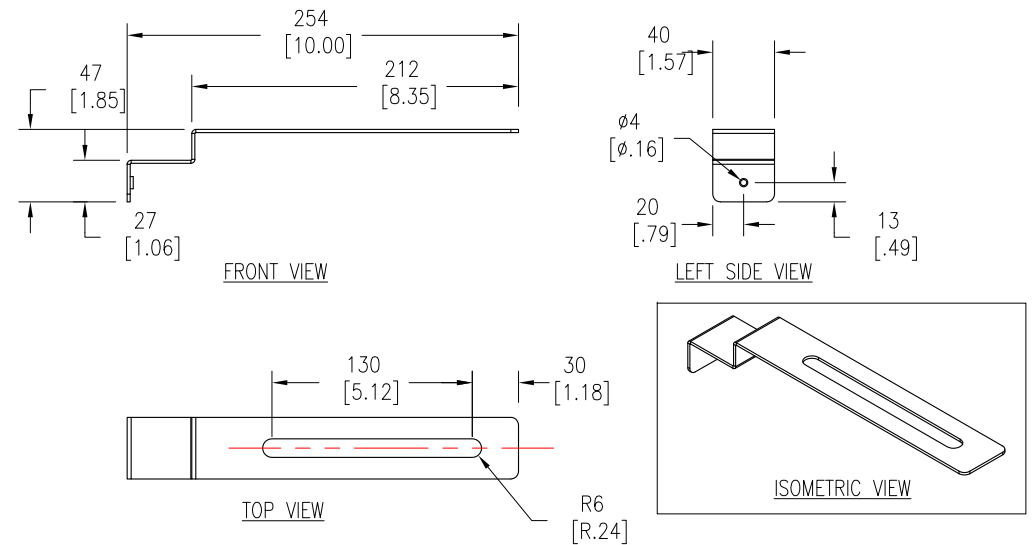
BRACKET ADJUSTIVE CONNECT FOR BULK PANEL



BRACKET VX ROOF BLANK PANEL



BAYING VX-BLANK PANEL BTM



NOTES:

1. COMPLY WITH ALL APPLICABLE NATIONAL AND LOCAL ELECTRICAL REGULATIONS.
2. REFER TO PRODUCT DOCUMENTATION FOR ADDITIONAL DETAILS PRIOR TO INSTALLATION AND SITE PREPARATION WORK.
3. ALL DIMENSIONS ARE IN MILLIMETERS [INCHES].

THIS DRAWING AND SPECIFICATIONS HEREIN ARE THE PROPERTY OF SCHNEIDER ELECTRIC AND SHALL NOT BE COPIED, REPRODUCED OR USED IN WHOLE OR IN PART, AS THE BASIS FOR THE MANUFACTURE OR SALE OF ITEMS WITHOUT WRITTEN PERMISSION FROM SCHNEIDER ELECTRIC. THIS DRAWING IS BASED UPON LATEST AVAILABLE INFORMATION AND IS SUBJECT TO CHANGE WITHOUT NOTICE.

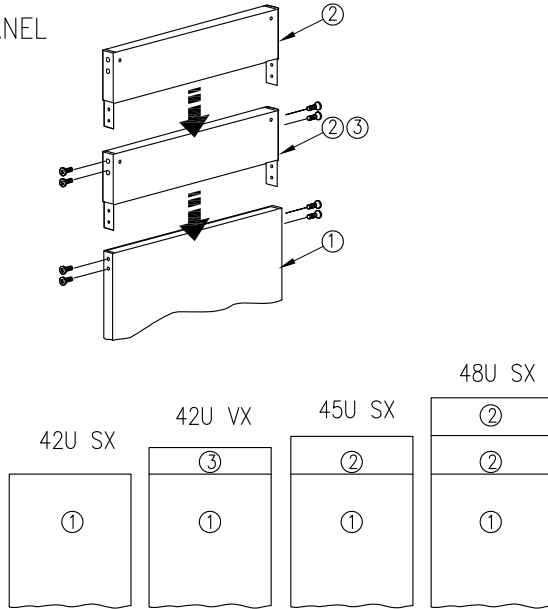
Schneider Electric

TITLE: Thermal Containment System
BLANKING PANEL INSTALLATION
ACCESSORIES
BAYING & BRACKETS ADJUSTIVE CONNECT
PROJECT: SUBMITTAL DRAWINGS SHEET 7 OF 8

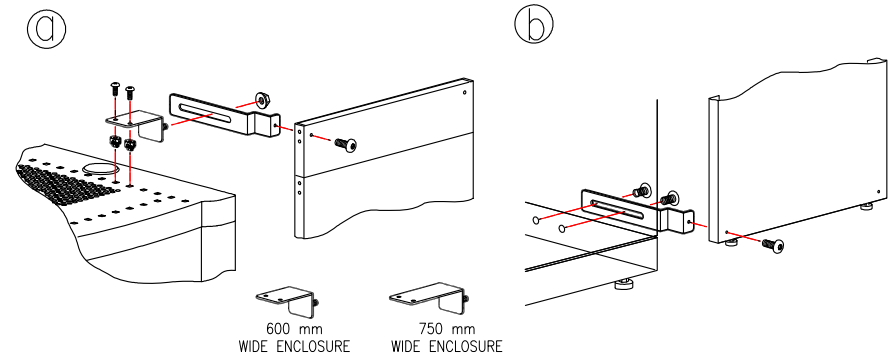
DWG NO:	ACDC2575-2578	REV.	0
DRAWN BY:	K.NAGENDRA	26-FEB-15	FIRST
ENGINEER:	JASON LI/MARK MENG	26-FEB-15	ANGLE
APPROVED BY:	MARK GRAFF/NICK SCHWESBOTH	26-FEB-15	PROJ

INSTALLATION DETAILS (42U-48U SX/42U VX)

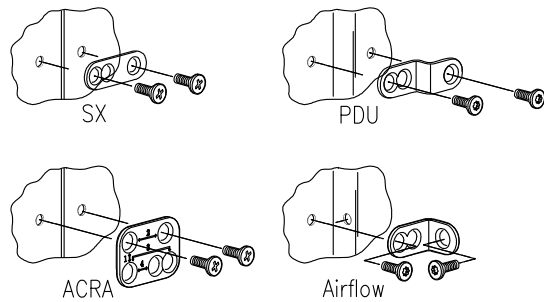
EXTENSION PANEL



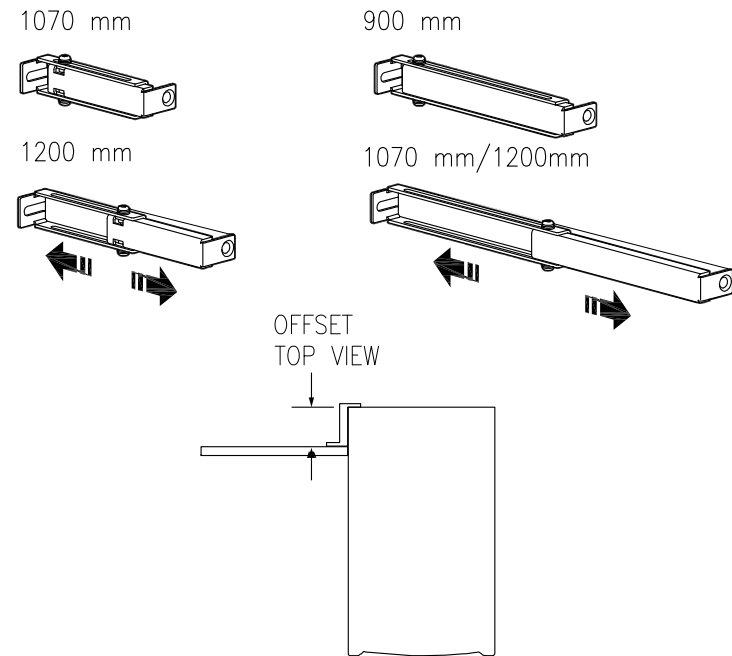
VX ENCLOSURE



BAYING BRACKET



SX ENCLOSURE- OFFSET ALIGNMENT



NOTES:

1. COMPLY WITH ALL APPLICABLE NATIONAL AND LOCAL ELECTRICAL REGULATIONS.
2. REFER TO PRODUCT DOCUMENTATION FOR ADDITIONAL DETAILS PRIOR TO INSTALLATION AND SITE PREPARATION WORK.

THIS DRAWING AND SPECIFICATIONS HEREIN ARE THE PROPERTY OF SCHNEIDER ELECTRIC AND SHALL NOT BE COPIED, REPRODUCED OR USED IN WHOLE OR IN PART, AS THE BASIS FOR THE MANUFACTURE OR SALE OF ITEMS WITHOUT WRITTEN PERMISSION FROM SCHNEIDER ELECTRIC. THIS DRAWING IS BASED UPON LATEST AVAILABLE INFORMATION AND IS SUBJECT TO CHANGE WITHOUT NOTICE.



TITLE: Thermal Containment System
BLANKING PANEL INSTALLATION
ACCESSORIES
TYPICAL INSTALLATION DETAILS

PROJECT: SUBMITTAL DRAWINGS SHEET 8 OF 8

DWG NO: ACDC2575-2578 REV. 0

DRAWN BY: K.NAGENDRA	26-FEB-15	FIRST
ENGINEER: JASON LI/MARK MENG	26-FEB-15	ANGLE
APPROVED BY: YARON GRAFF/NOX SCHWESBOTH	26-FEB-15	PROJ