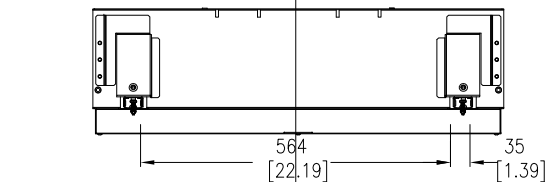
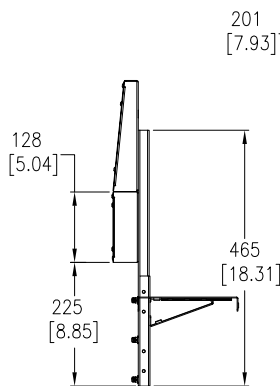


FRONT VIEW

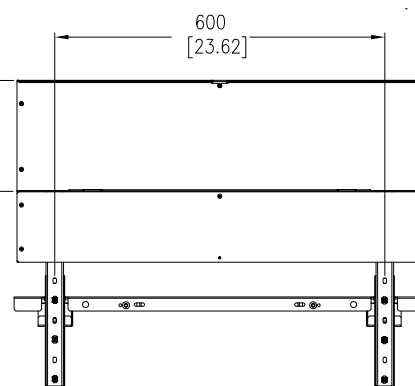


TOP VIEW

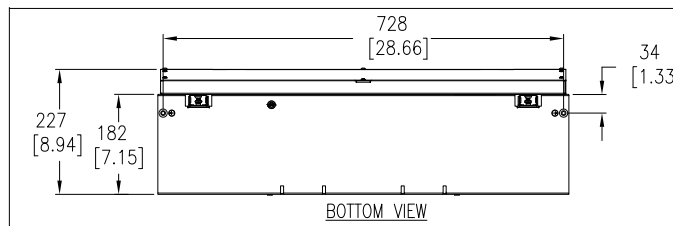
DEPTH ADAPTER-300mm



LH SIDE VIEW



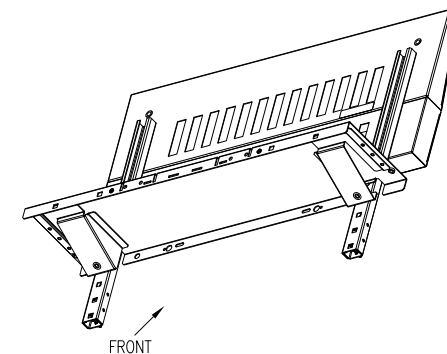
REAR VIEW



BOTTOM VIEW

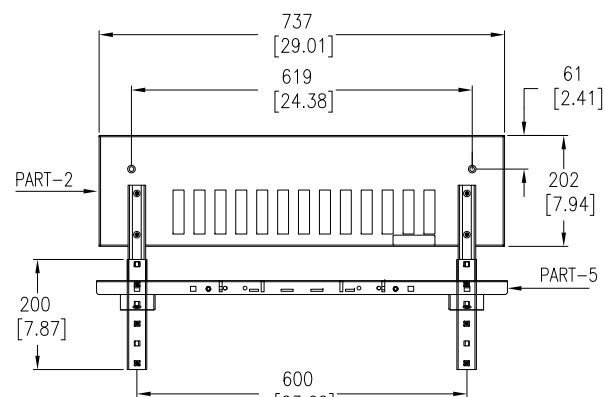
ACDC2553

750mm RACK

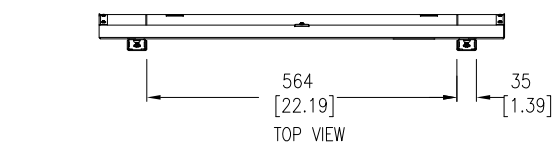


FRONT

300mm

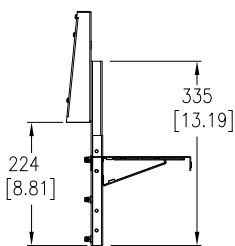


FRONT VIEW

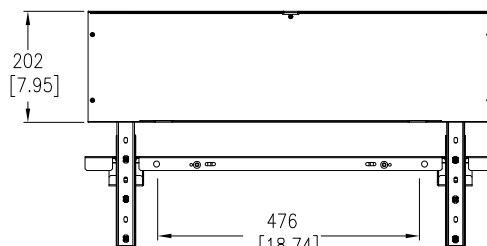


TOP VIEW

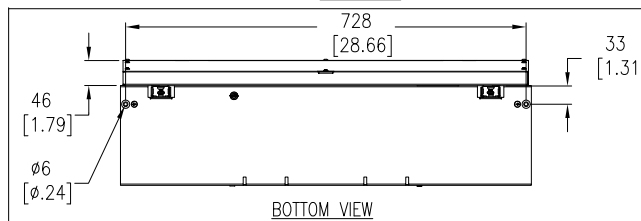
DEPTH ADAPTER-170mm



LH SIDE VIEW

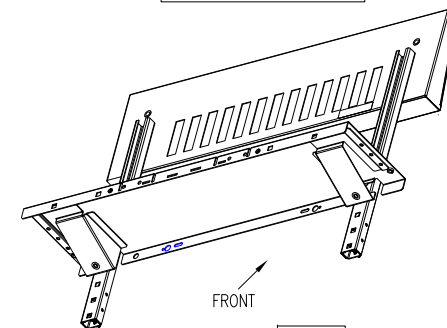


REAR VIEW



BOTTOM VIEW

750mm RACK



FRONT

170mm

ISOMETRIC VIEW

NOTES:

1. COMPLY WITH ALL APPLICABLE NATIONAL AND LOCAL ELECTRICAL REGULATIONS.
2. REFER TO PRODUCT DOCUMENTATION FOR ADDITIONAL DETAILS PRIOR TO INSTALLATION AND SITE PREPARATION WORK.
3. ALL DIMENSIONS ARE IN MILLIMETERS [INCHES].

THIS DRAWING AND SPECIFICATIONS HEREIN ARE THE PROPERTY OF SCHNEIDER ELECTRIC AND SHALL NOT BE COPIED, REPRODUCED OR USED IN WHOLE OR IN PART, AS THE BASIS FOR THE MANUFACTURE OR SALE OF PARTS WITHOUT WRITTEN PERMISSION FROM SCHNEIDER ELECTRIC. THIS DRAWING IS BASED UPON LATEST AVAILABLE INFORMATION AND IS SUBJECT TO CHANGE WITHOUT NOTICE.



TITLE:

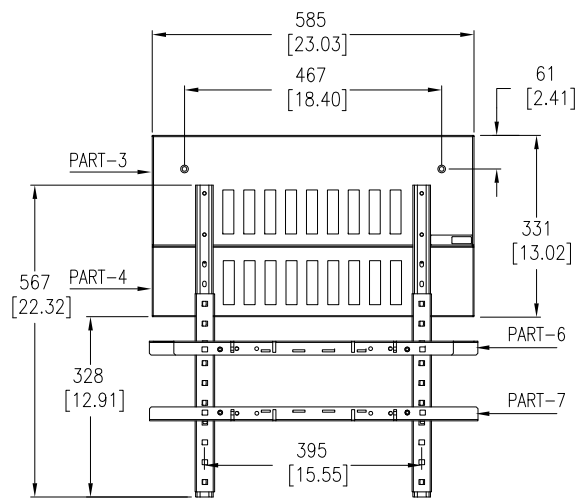
Eco-Aisle (TM) Aisle Containment System
DEPTH ADAPTER
ACDC2553-ASSEMBLY

PROJECT: SUBMITTAL DRAWINGS SHEET 1 OF 6

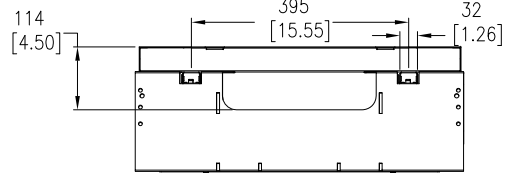
DWG NO: ACDC2552-2553

REV: 0

DRAWN BY: K.NAGENDRA	18-JUN-13	FIRST
ENGINEER: JASON LI/MARK MENG	18-JUN-13	ANGLE
APPROVED BY: AARON GRAFF	18-JUN-13	PROJ



FRONT VIEW

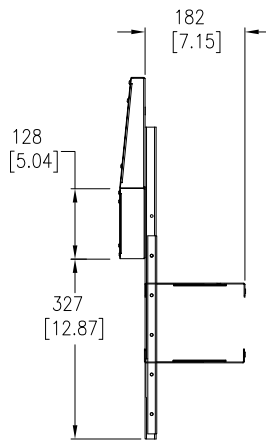


TOP VIEW

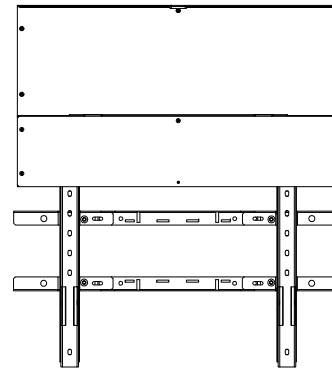
DEPTH ADAPTER-300mm

ACDC2552

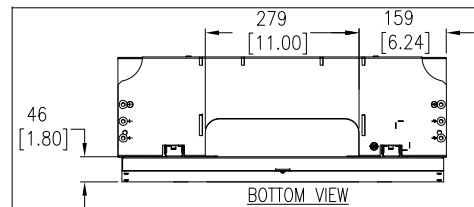
600mm RACK



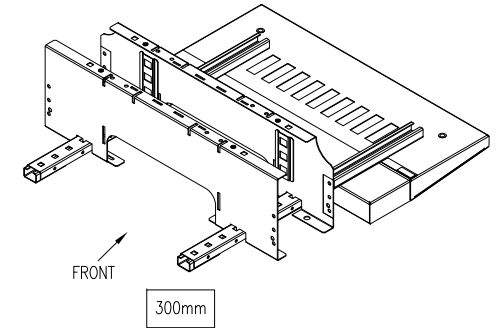
LH SIDE VIEW



REAR VIEW

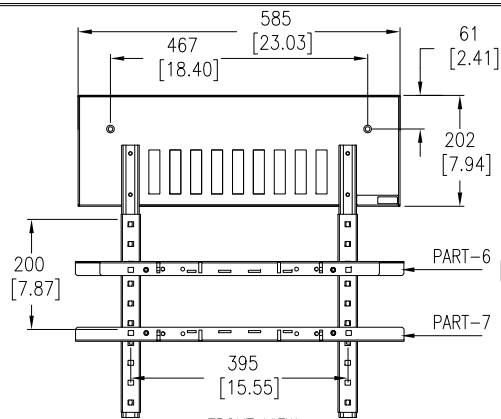


BOTTOM VIEW

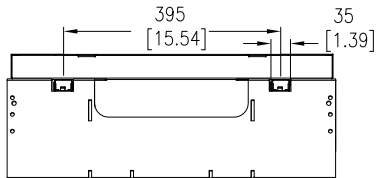


FRONT

300mm



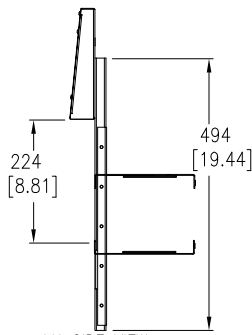
FRONT VIEW



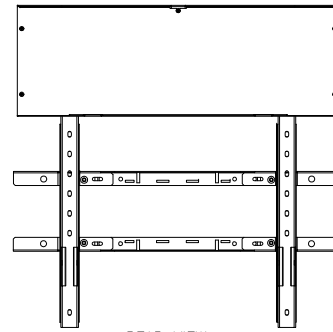
TOP VIEW

DEPTH ADAPTER-170mm

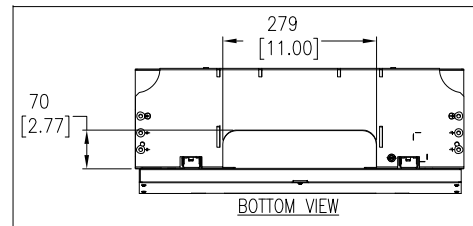
600mm RACK



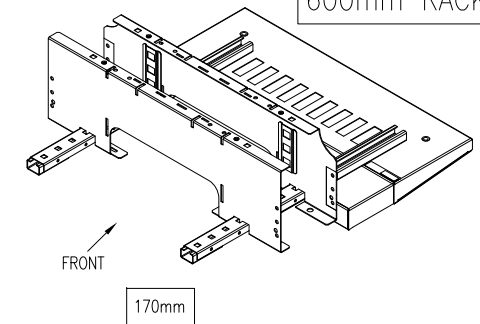
LH SIDE VIEW



REAR VIEW



BOTTOM VIEW



FRONT

170mm

ISOMETRIC VIEW

NOTES:

1. COMPLY WITH ALL APPLICABLE NATIONAL AND LOCAL ELECTRICAL REGULATIONS.
2. REFER TO PRODUCT DOCUMENTATION FOR ADDITIONAL DETAILS PRIOR TO INSTALLATION AND SITE PREPARATION WORK.
3. ALL DIMENSIONS ARE IN MILLIMETERS [INCHES].

THIS DRAWING AND SPECIFICATIONS HEREIN ARE THE PROPERTY OF SCHNEIDER ELECTRIC AND SHALL NOT BE COPIED, REPRODUCED OR USED IN WHOLE OR IN PART, AS THE BASIS FOR THE MANUFACTURE OR SALE OF PARTS WITHOUT WRITTEN PERMISSION FROM SCHNEIDER ELECTRIC. THIS DRAWING IS BASED UPON LATEST AVAILABLE INFORMATION AND IS SUBJECT TO CHANGE WITHOUT NOTICE.



TITLE:

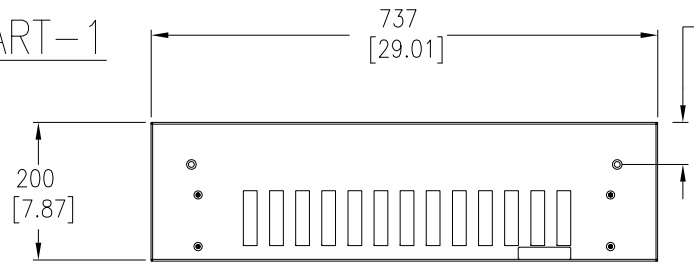
Eco-Aisle (TM) Aisle Containment System
DEPTH ADAPTER
ACDC2552-ASSEMBLY

PROJECT: SUBMITTAL DRAWINGS SHEET 2 OF 6

DWG NO: ACDC2552-2553 REV. 0

DRAWN BY: K.NAGENDRA	18-JUN-13	FIRST
ENGINEER: JASON LI/MARK MENG	18-JUN-13	ANGLE
APPROVED BY: AARON GRAFF	18-JUN-13	PROJ

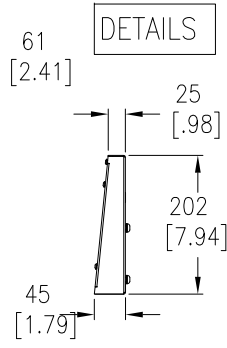
PART-1



FRONT VIEW



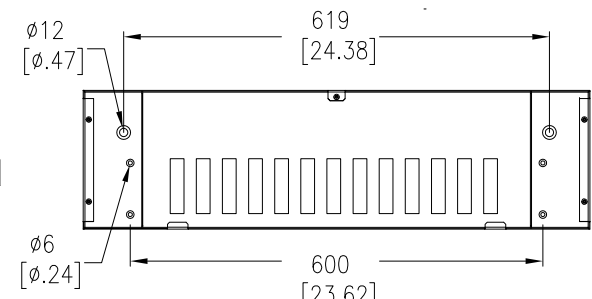
TOP VIEW



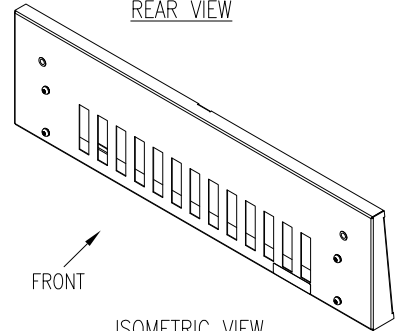
LH SIDE VIEW

ACDC2553

750mm RACK

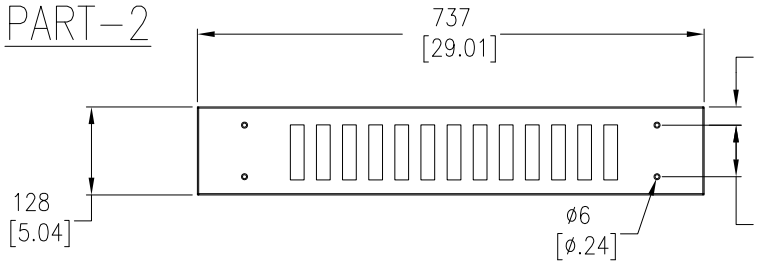


REAR VIEW



ISOMETRIC VIEW

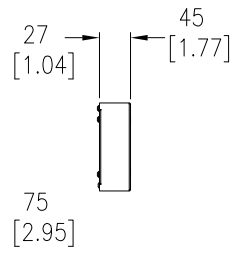
PART-2



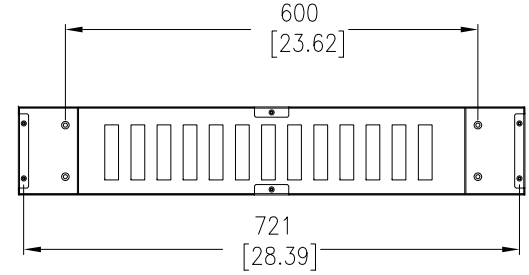
FRONT VIEW



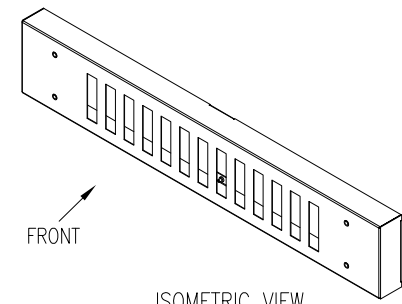
TOP VIEW



LH SIDE VIEW



REAR VIEW



ISOMETRIC VIEW

NOTES:

1. COMPLY WITH ALL APPLICABLE NATIONAL AND LOCAL ELECTRICAL REGULATIONS.
2. REFER TO PRODUCT DOCUMENTATION FOR ADDITIONAL DETAILS PRIOR TO INSTALLATION AND SITE PREPARATION WORK.
3. ALL DIMENSIONS ARE IN MILLIMETERS [INCHES].

THIS DRAWING AND SPECIFICATIONS HEREIN ARE THE PROPERTY OF SCHNEIDER ELECTRIC AND SHALL NOT BE COPIED, REPRODUCED OR USED IN WHOLE OR IN PART, AS THE BASIS FOR THE MANUFACTURE OR SALE OF PARTS WITHOUT WRITTEN PERMISSION FROM SCHNEIDER ELECTRIC. THIS DRAWING IS BASED UPON LATEST AVAILABLE INFORMATION AND IS SUBJECT TO CHANGE WITHOUT NOTICE.



TITLE:
Eco-Aisle (TM) Aisle Containment System
DEPTH ADAPTER
ACDC2553-DETAILS
PROJECT: SUBMITTAL DRAWINGS SHEET 3 OF 6

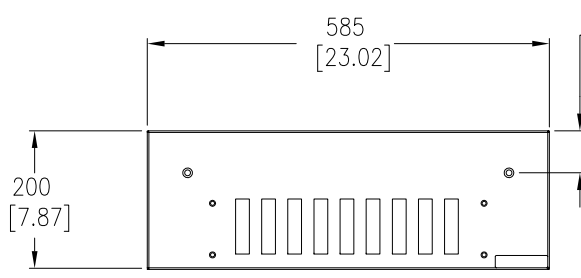
DWG NO:	ACDC2552-2553	REV.	0
DRAWN BY:	K.NAGENDRA	18-JUN-13	FIRST
ENGINEER:	JASON LI/MARK MENG	18-JUN-13	ANGLE
APPROVED BY:	AARON GRAFF	18-JUN-13	PROJ

PART-3

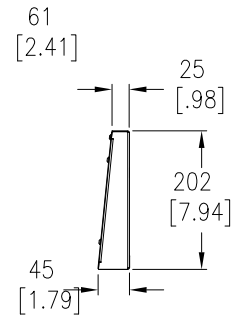
DETAILS

ACDC2552

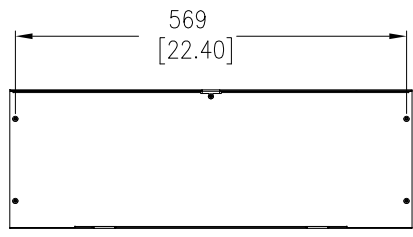
600mm RACK



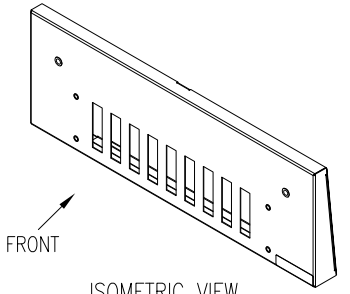
FRONT VIEW



LH SIDE VIEW



REAR VIEW

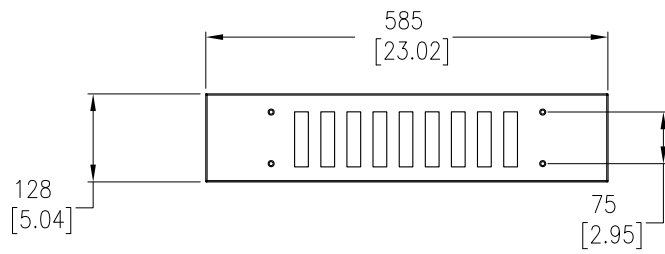


ISOMETRIC VIEW

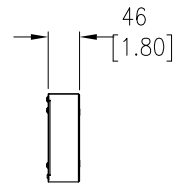


TOP VIEW

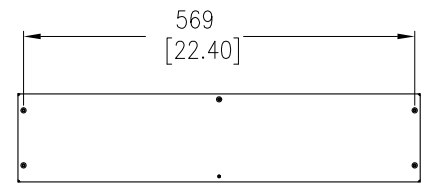
PART-4



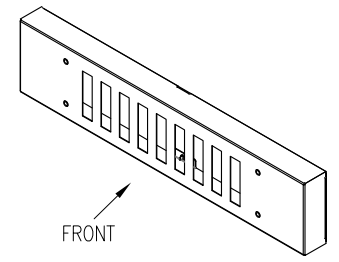
FRONT VIEW



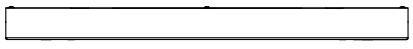
LH SIDE VIEW



REAR VIEW



ISOMETRIC VIEW



TOP VIEW

NOTES:

1. COMPLY WITH ALL APPLICABLE NATIONAL AND LOCAL ELECTRICAL REGULATIONS.
2. REFER TO PRODUCT DOCUMENTATION FOR ADDITIONAL DETAILS PRIOR TO INSTALLATION AND SITE PREPARATION WORK.
3. ALL DIMENSIONS ARE IN MILLIMETERS [INCHES].

THIS DRAWING AND SPECIFICATIONS HEREIN ARE THE PROPERTY OF SCHNEIDER ELECTRIC AND SHALL NOT BE COPIED, REPRODUCED OR USED IN WHOLE OR IN PART, AS THE BASIS FOR THE MANUFACTURE OR SALE OF PARTS WITHOUT WRITTEN PERMISSION FROM SCHNEIDER ELECTRIC. THIS DRAWING IS BASED UPON LATEST AVAILABLE INFORMATION AND IS SUBJECT TO CHANGE WITHOUT NOTICE.

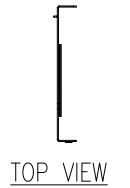
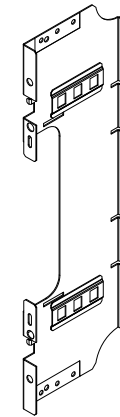
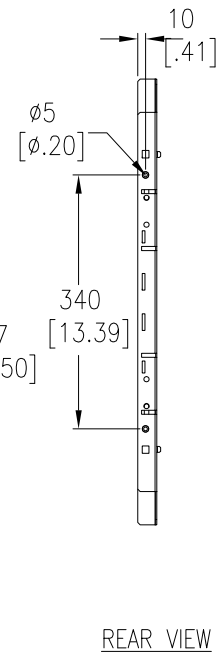
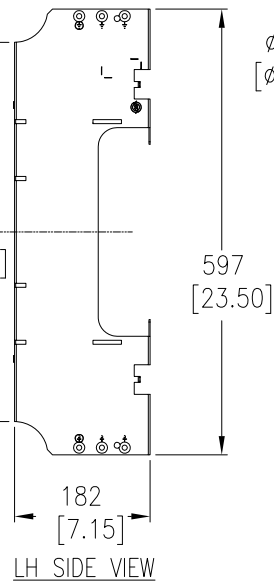
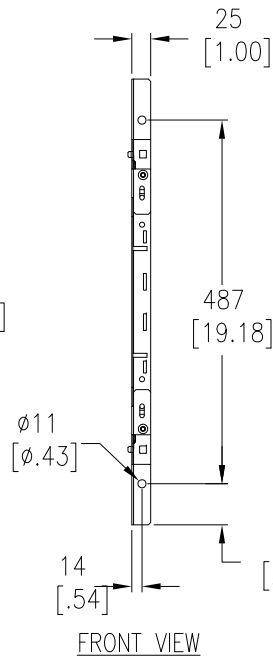
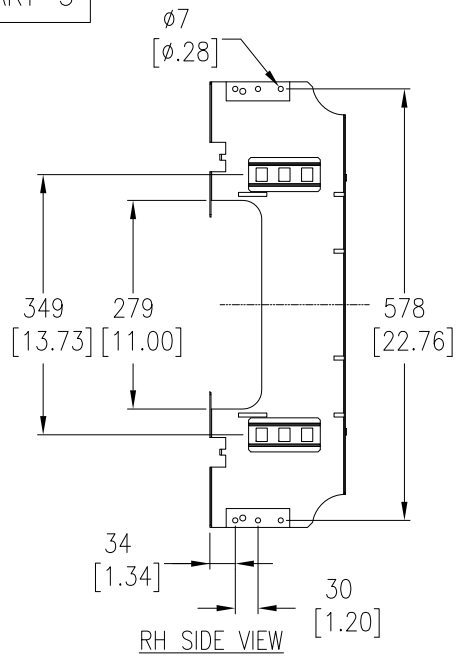


TITLE:
Eco-Aisle (TM) Aisle Containment System
DEPTH ADAPTER
ACDC2552-DETAILS
PROJECT: SUBMITTAL DRAWINGS SHEET 4 OF 6

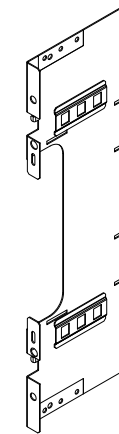
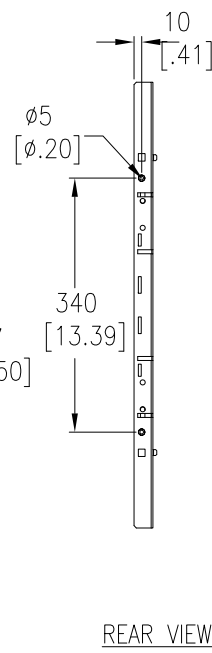
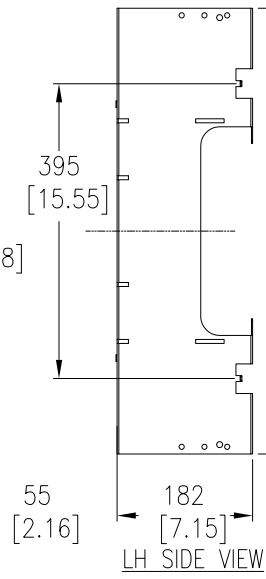
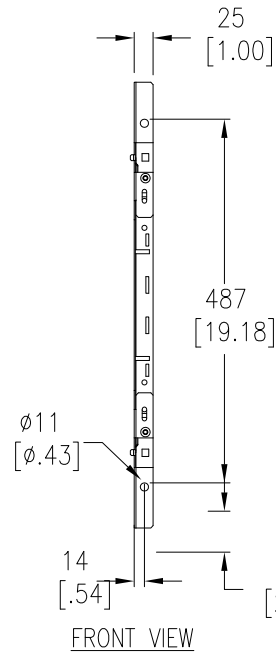
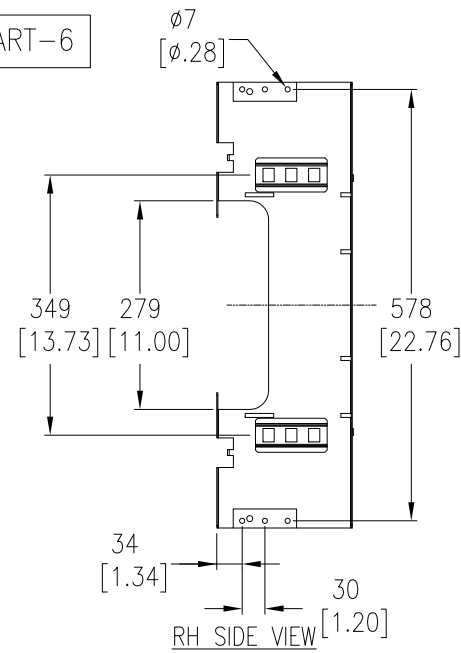
DWG NO:	ACDC2552-2553	REV:	0
DRAWN BY:	K.NAGENDRA	18-JUN-13	FIRST
ENGINEER:	JASON LI/MARK MENG	18-JUN-13	ANGLE
APPROVED BY:	AARON GRAFF	18-JUN-13	PROJ

PART-5

PART DETAILS



PART-6



NOTES:

1. COMPLY WITH ALL APPLICABLE NATIONAL AND LOCAL ELECTRICAL REGULATIONS.
2. REFER TO PRODUCT DOCUMENTATION FOR ADDITIONAL DETAILS PRIOR TO INSTALLATION AND SITE PREPARATION WORK.
3. ALL DIMENSIONS ARE IN MILLIMETERS [INCHES].

THIS DRAWING AND SPECIFICATIONS HEREIN ARE THE PROPERTY OF SCHNEIDER ELECTRIC AND SHALL NOT BE COPIED, REPRODUCED OR USED IN WHOLE OR IN PART, AS THE BASIS FOR THE MANUFACTURE OR SALE OF PARTS WITHOUT WRITTEN PERMISSION FROM SCHNEIDER ELECTRIC. THIS DRAWING IS BASED UPON LATEST AVAILABLE INFORMATION AND IS SUBJECT TO CHANGE WITHOUT NOTICE.



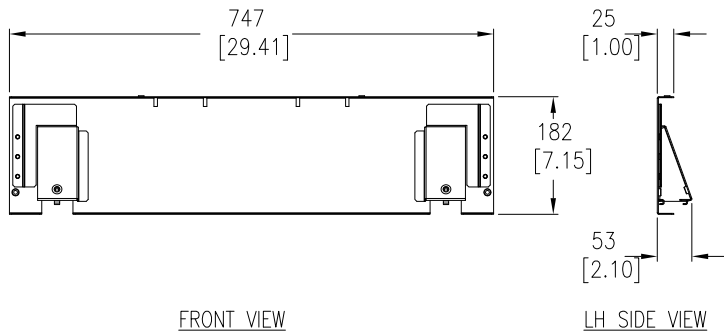
TITLE:
Eco-Aisle (TM) Aisle Containment System
DEPTH ADAPTER
PART-5&6 DETAILS

PROJECT: SUBMITTAL DRAWINGS | SHEET 5 OF 6

DWG NO:	ACDC2552-2553	REV:	0
DRAWN BY:	K.NAGENDRA	18-JUN-13	FIRST ANGLE
ENGINEER:	JASON LI/MARK MENG	18-JUN-13	PROJ
APPROVED BY:	AARON GRAFF	18-JUN-13	

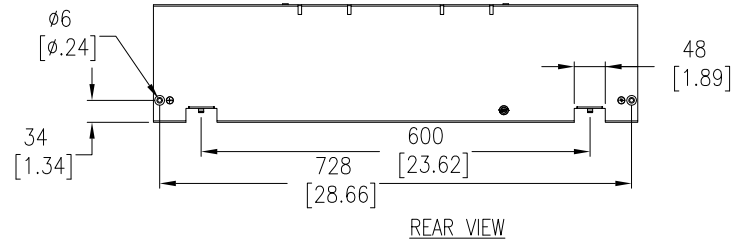
PART-7

PART DETAILS

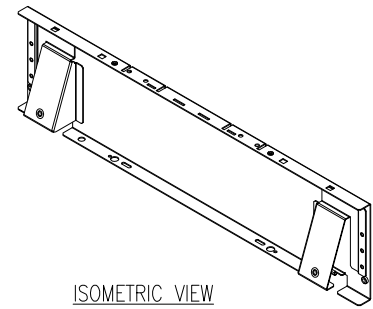


FRONT VIEW

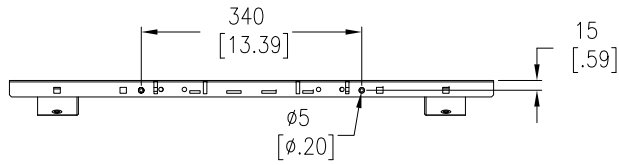
LH SIDE VIEW



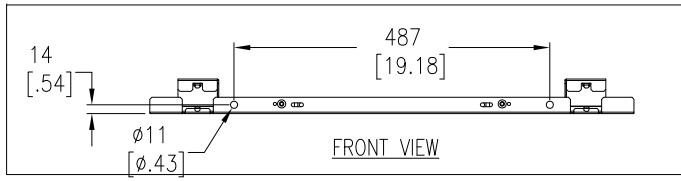
REAR VIEW



ISOMETRIC VIEW



FRONT VIEW



FRONT VIEW

NOTES:

1. COMPLY WITH ALL APPLICABLE NATIONAL AND LOCAL ELECTRICAL REGULATIONS.
2. REFER TO PRODUCT DOCUMENTATION FOR ADDITIONAL DETAILS PRIOR TO INSTALLATION AND SITE PREPARATION WORK.
3. ALL DIMENSIONS ARE IN MILLIMETERS [INCHES].

THIS DRAWING AND SPECIFICATIONS HEREIN ARE THE PROPERTY OF SCHNEIDER ELECTRIC AND SHALL NOT BE COPIED, REPRODUCED OR USED IN WHOLE OR IN PART, AS THE BASIS FOR THE MANUFACTURE OR SALE OF PARTS WITHOUT WRITTEN PERMISSION FROM SCHNEIDER ELECTRIC. THIS DRAWING IS BASED UPON LATEST AVAILABLE INFORMATION AND IS SUBJECT TO CHANGE WITHOUT NOTICE.



TITLE:
Eco-Aisle (TM) Aisle Containment System
DEPTH ADAPTER
PART-7 DETAILS

PROJECT: SUBMITTAL DRAWINGS SHEET 6 OF 6

DWG NO:	ACDC2552-2553	REV.	0
DRAWN BY:	K.NAGENDRA	18-JUN-13	FIRST
ENGINEER:	JASON LI/MARK MENG	18-JUN-13	ANGLE
APPROVED BY:	AARON GRAFF	18-JUN-13	PROJ