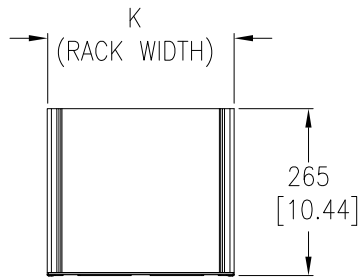
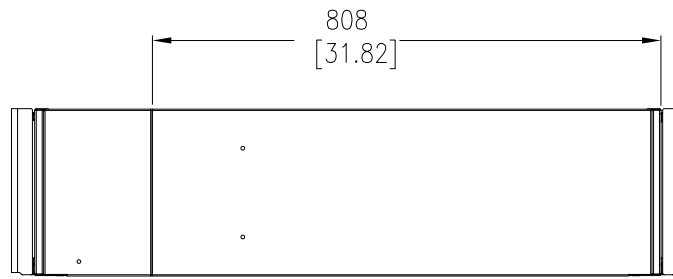


TYPICAL ARRANGEMENT- ROOF HEIGHT ADAPTER (SX-SX)

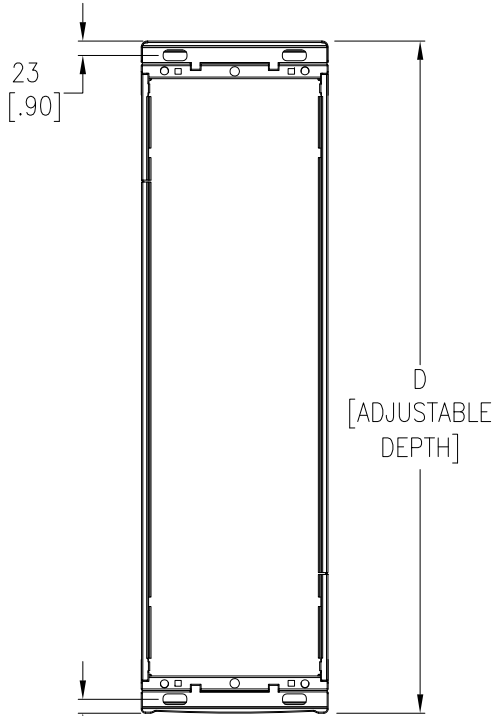
ACDC2512-2515



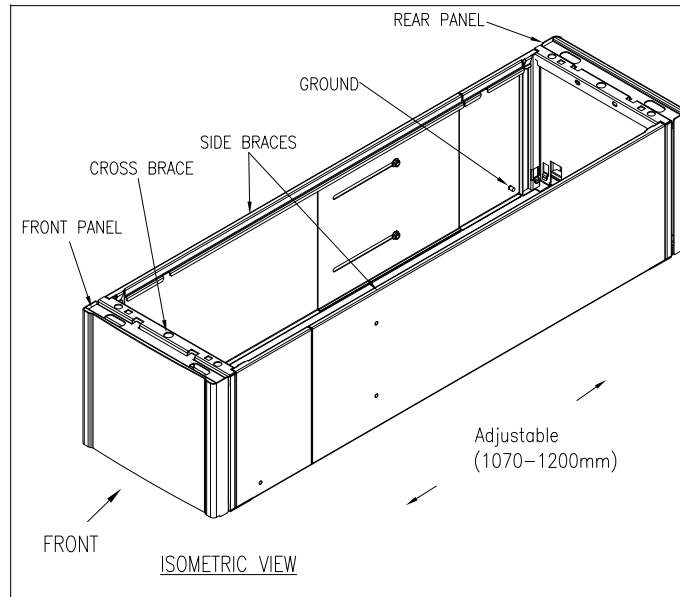
FRONT VIEW



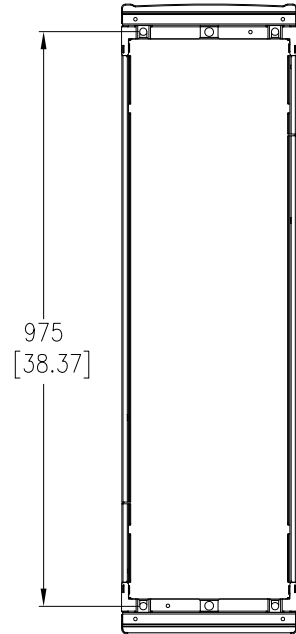
LEFT SIDE VIEW



TOP VIEW



ISOMETRIC VIEW



BOTTOM VIEW

4

NOTES:

1. COMPLY WITH ALL APPLICABLE NATIONAL AND LOCAL ELECTRICAL REGULATIONS.
2. REFER TO PRODUCT DOCUMENTATION FOR ADDITIONAL DETAILS PRIOR TO INSTALLATION AND SITE PREPARATION WORK.
3. ALL DIMENSIONS ARE IN MILLIMETERS [INCHES].
4. NET WEIGHT OF UNIT-REFER TO TABLE
5. TYPICAL ARRANGEMENT SHOWN FOR ROOF HEIGHT ADAPTER (SX-SX)-300mm(11.81in) CONFIGURATION.

5

Roof Height Adapter Details

SKU NO.	Description	Rack Width, mm (inch)	Depth (Adjustable), mm (inch)	Weight, kg (lbs)
ACDC2512	SX42U-SX48U, 300mm	296 (11.65)	1070 (42.12) ADJUSTABLE TO 1200 (47.24)	15.81 (34.78)
ACDC2513	SX42U-SX48U, 600mm	596 (23.4)		17.00 (37.40)
ACDC2514	SX42U-SX48U, 700mm	696 (27.4)		19.87 (43.71)
ACDC2515	SX42U-SX48U, 750mm	747 (29.4)		19.34 (42.55)

THIS DRAWING AND SPECIFICATIONS HEREIN ARE THE PROPERTY OF SCHNEIDER ELECTRIC AND SHALL NOT BE COPIED, REPRODUCED OR USED IN WHOLE OR IN PART, AS THE BASIS FOR THE MANUFACTURE OR SALE OF ITEMS WITHOUT WRITTEN PERMISSION FROM SCHNEIDER ELECTRIC. THIS DRAWING IS BASED UPON LATEST AVAILABLE INFORMATION AND IS SUBJECT TO CHANGE WITHOUT NOTICE.



TITLE:  
Eco-Aisle (TM) Aisle Containment System  
ROOF HEIGHT ADAPTER (SX-SX)  
ASSEMBLY ACDC2512-2515

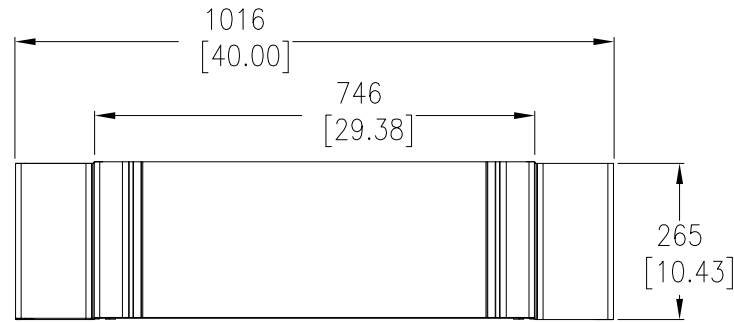
PROJECT: SUBMITTAL DRAWINGS SHEET 1 OF 8

DWG NO: ACDC2512-2516 REV. 0

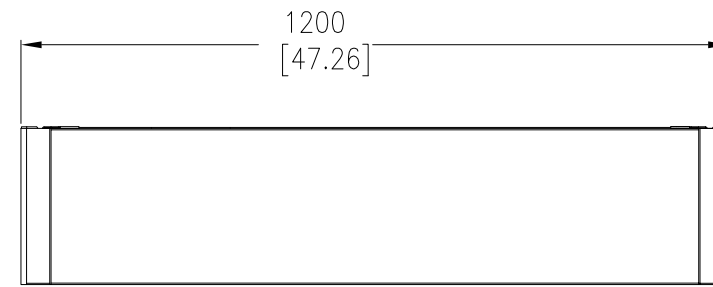
DRAWN BY: K.NAGENDRA	07-JUN-13	FIRST
ENGINEER: RUSTIN SHI/MARK MENG	07-JUN-13	ANGLE
APPROVED BY: AARON GRAFF	07-JUN-13	PROJ

TYPICAL ARRANGEMENT- ROOF HEIGHT ADAPTER (SX-SX)

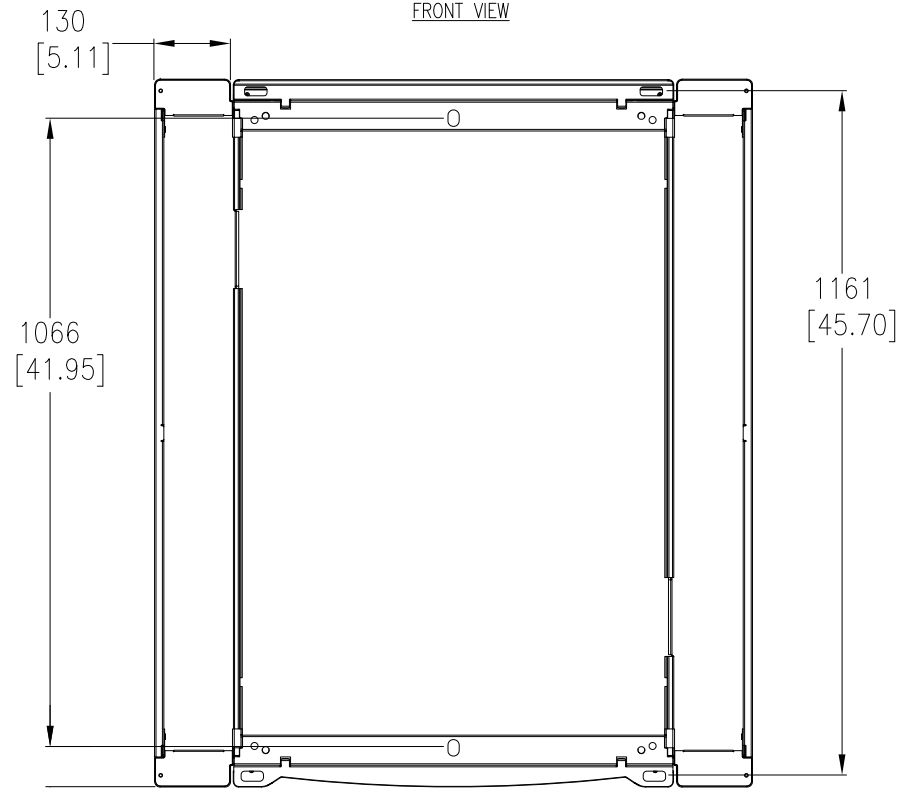
ACDC2516



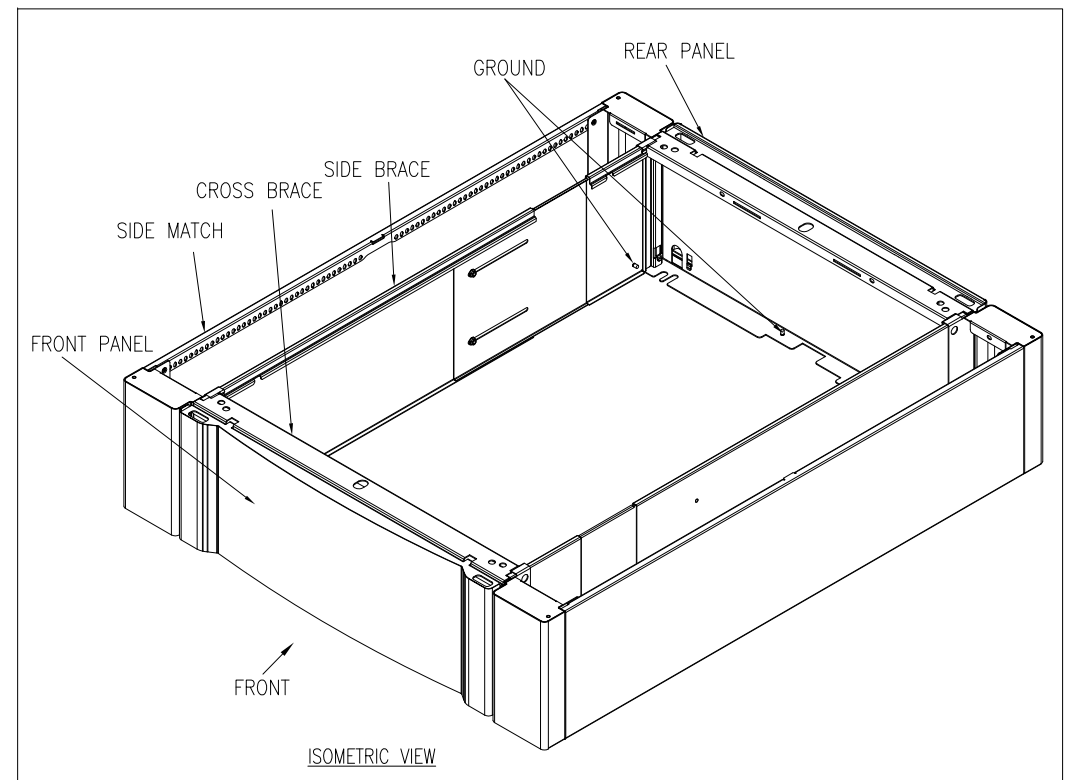
FRONT VIEW



LEFT SIDE VIEW



TOP VIEW



ISOMETRIC VIEW

68 [2.68]

Roof Height Adapter Details

SKU NO.	Description	Rack Width, mm (inch)	Weight, kg (lbs)
ACDC2516	SX42U-SX48U, 1016mm	1014 (39.92)	34.43 (75.75)

NOTES:

1. COMPLY WITH ALL APPLICABLE NATIONAL AND LOCAL ELECTRICAL REGULATIONS.
2. REFER TO PRODUCT DOCUMENTATION FOR ADDITIONAL DETAILS PRIOR TO INSTALLATION AND SITE PREPARATION WORK.
3. ALL DIMENSIONS ARE IN MILLIMETERS [INCHES].

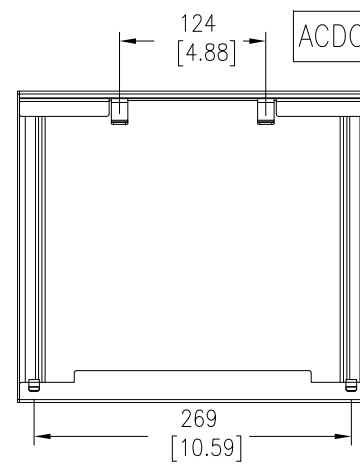
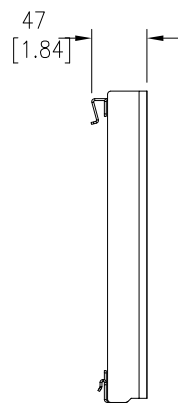
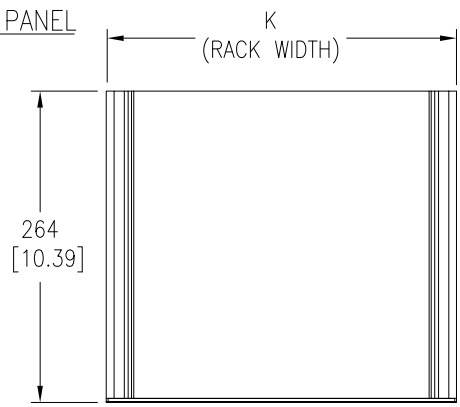
THIS DRAWING AND SPECIFICATIONS HEREIN ARE THE PROPERTY OF SCHNEIDER ELECTRIC AND SHALL NOT BE COPIED, REPRODUCED OR USED IN WHOLE OR IN PART, AS THE BASIS FOR THE MANUFACTURE OR SALE OF ITEMS WITHOUT WRITTEN PERMISSION FROM SCHNEIDER ELECTRIC. THIS DRAWING IS BASED UPON LATEST AVAILABLE INFORMATION AND IS SUBJECT TO CHANGE WITHOUT NOTICE.



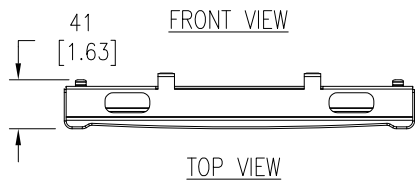
TITLE:  
Eco-Aisle (TM) Aisle Containment System  
ROOF HEIGHT ADAPTER (SX-SX)  
ASSEMBLY ACDC2516  
PROJECT: SUBMITTAL DRAWINGS SHEET 2 OF 8

DWG NO:	ACDC2512-2516	REV:	0
DRAWN BY:	K.NAGENDRA	07-JUN-13	FIRST
ENGINEER:	RUSTIN SHI/MARK MENG	07-JUN-13	ANGLE
APPROVED BY:	AARON GRAFF	07-JUN-13	PROJ

ADAPTER FRONT PANEL

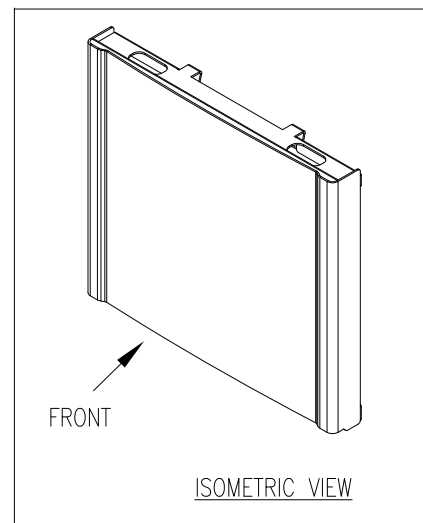


ACDC2512-2515

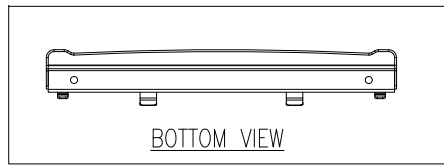


LEFT SIDE VIEW

REAR VIEW

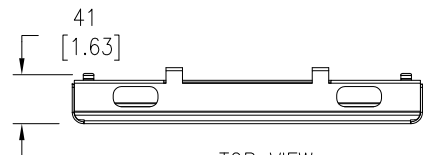
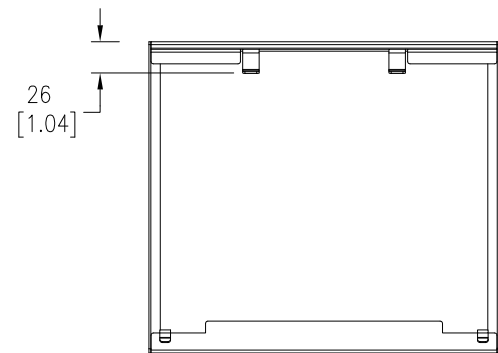
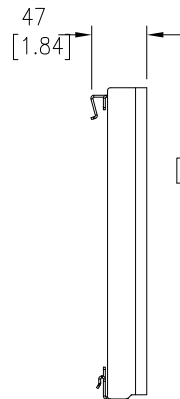
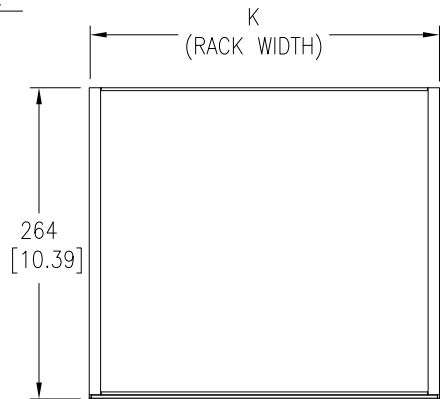


ISOMETRIC VIEW



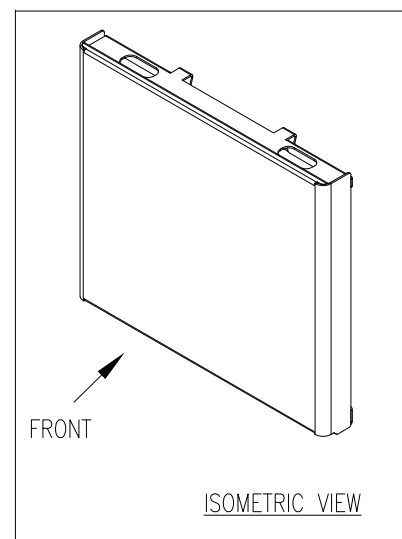
BOTTOM VIEW

ADAPTER REAR PANEL

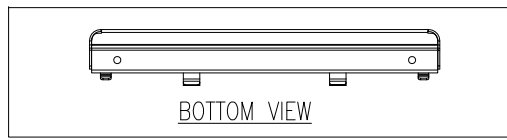


LEFT SIDE VIEW

REAR VIEW



ISOMETRIC VIEW



BOTTOM VIEW

NOTES:

1. COMPLY WITH ALL APPLICABLE NATIONAL AND LOCAL ELECTRICAL REGULATIONS.
2. REFER TO PRODUCT DOCUMENTATION FOR ADDITIONAL DETAILS PRIOR TO INSTALLATION AND SITE PREPARATION WORK.
3. ALL DIMENSIONS ARE IN MILLIMETERS [INCHES].

THIS DRAWING AND SPECIFICATIONS HEREIN ARE THE PROPERTY OF SCHNEIDER ELECTRIC AND SHALL NOT BE COPIED, REPRODUCED OR USED IN WHOLE OR IN PART, AS THE BASIS FOR THE MANUFACTURE OR SALE OF ITEMS WITHOUT WRITTEN PERMISSION FROM SCHNEIDER ELECTRIC. THIS DRAWING IS BASED UPON LATEST AVAILABLE INFORMATION AND IS SUBJECT TO CHANGE WITHOUT NOTICE.



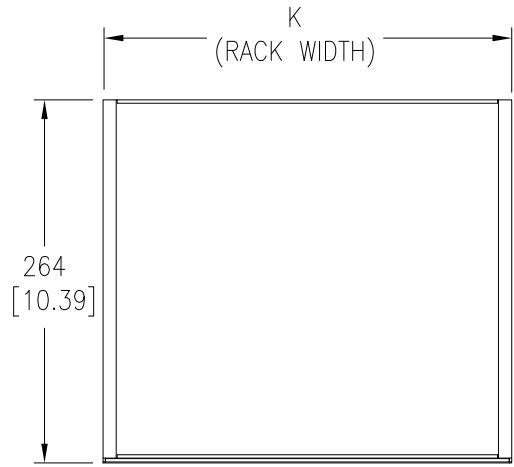
TITLE:  
Eco-Aisle (TM) Aisle Containment System  
ROOF HEIGHT ADAPTER (SX-SX)  
FRONT PANEL ACDC2512-16  
PROJECT: SUBMITTAL DRAWINGS SHEET 3 OF 8

DWG NO:	ACDC2512-2516	REV.	0
DRAWN BY:	K.NAGENDRA	07-JUN-13	FIRST
ENGINEER:	RUSTIN SHI/MARK MENG	07-JUN-13	ANGLE
APPROVED BY:	AARON GRAFF	07-JUN-13	PROJ

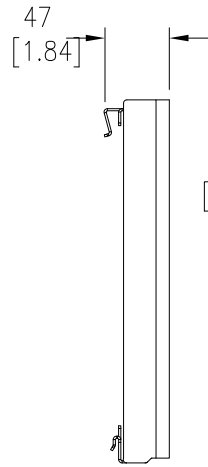
CROSS BRACE (FRONT & REAR PANEL)

QTY.- 2 PER PANEL

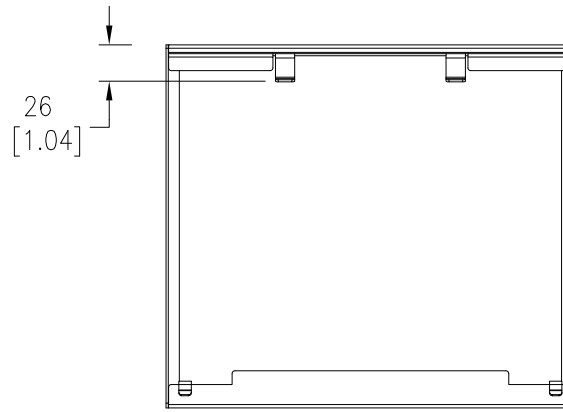
ACDC2512-2515



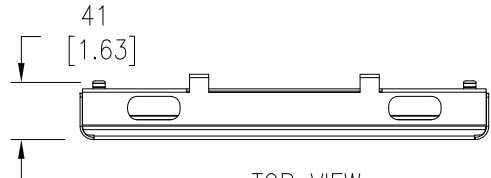
FRONT VIEW



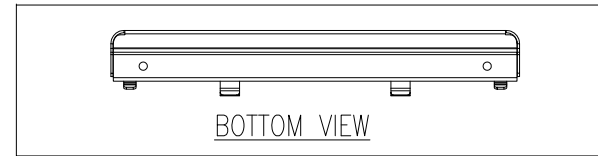
LEFT SIDE VIEW



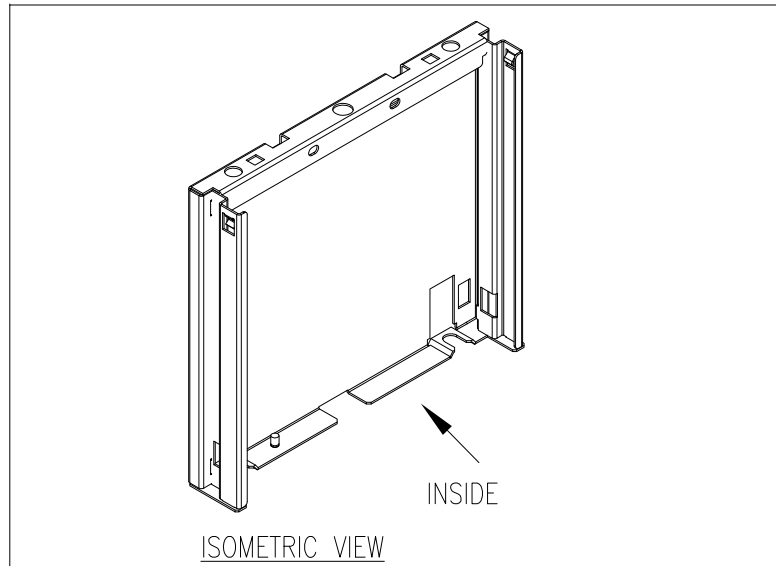
REAR VIEW



TOP VIEW



BOTTOM VIEW



ISOMETRIC VIEW

NOTES:

1. COMPLY WITH ALL APPLICABLE NATIONAL AND LOCAL ELECTRICAL REGULATIONS.
2. REFER TO PRODUCT DOCUMENTATION FOR ADDITIONAL DETAILS PRIOR TO INSTALLATION AND SITE PREPARATION WORK.
3. ALL DIMENSIONS ARE IN MILLIMETERS [INCHES].

THIS DRAWING AND SPECIFICATIONS HEREIN ARE THE PROPERTY OF SCHNEIDER ELECTRIC AND SHALL NOT BE COPIED, REPRODUCED OR USED IN WHOLE OR IN PART, AS THE BASIS FOR THE MANUFACTURE OR SALE OF ITEMS WITHOUT WRITTEN PERMISSION FROM SCHNEIDER ELECTRIC. THIS DRAWING IS BASED UPON LATEST AVAILABLE INFORMATION AND IS SUBJECT TO CHANGE WITHOUT NOTICE.



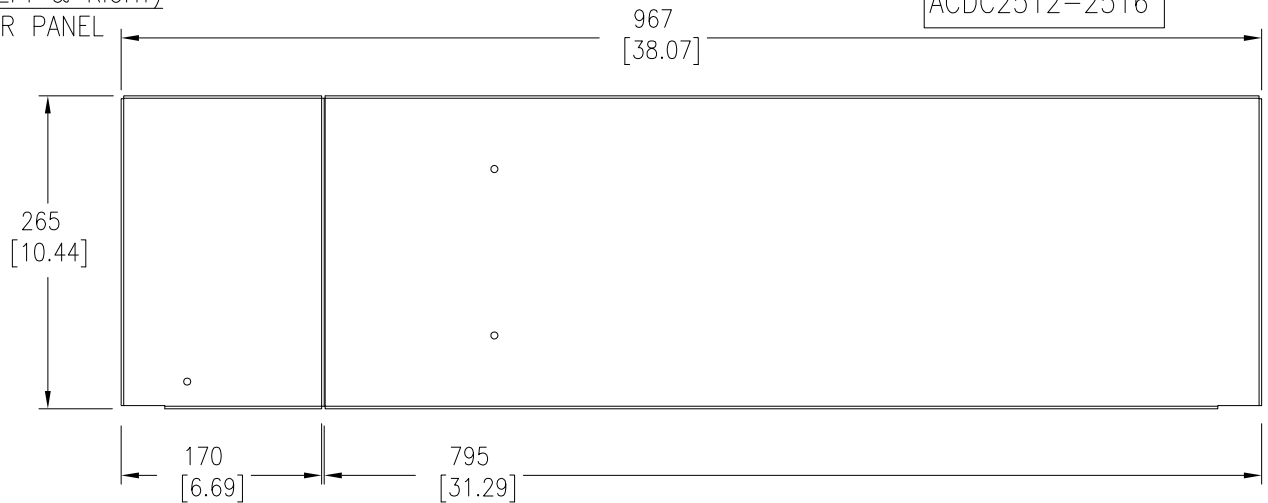
TITLE:  
Eco-Aisle (TM) Aisle Containment System  
ROOF HEIGHT ADAPTER (SX-SX)  
CROSS BRACE ACDC2512-15  
PROJECT: SUBMITTAL DRAWINGS SHEET 4 OF 8

DWG NO:	ACDC2512-2516	REV.	0
DRAWN BY:	K.NAGENDRA	07-JUN-13	FIRST
ENGINEER:	RUSTIN SHI/MARK MENG	07-JUN-13	ANGLE
APPROVED BY:	AARON GRAFF	07-JUN-13	PROJ

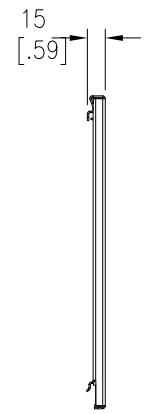
SIDE BRACE (LEFT & RIGHT)

QTY.- 2 PER PANEL

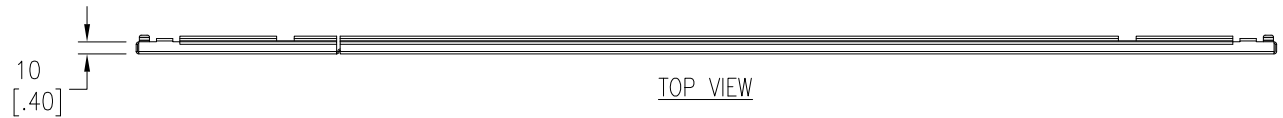
ACDC2512-2516



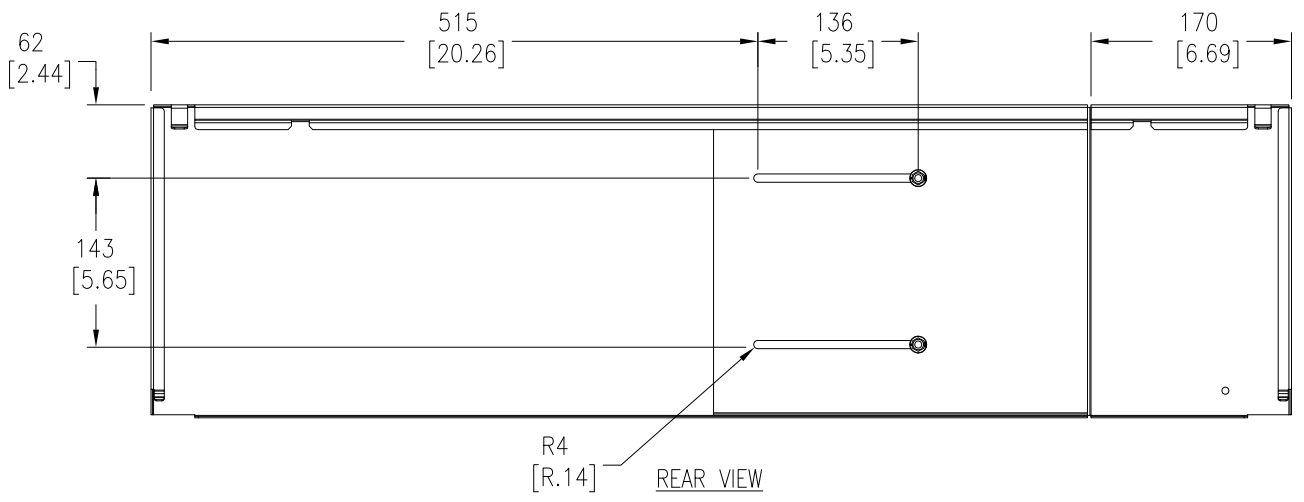
FRONT VIEW



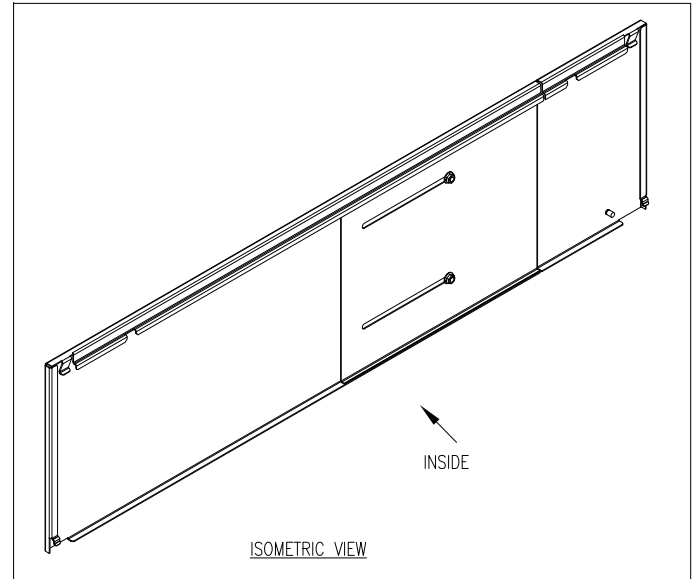
LEFT SIDE VIEW



TOP VIEW



REAR VIEW



ISOMETRIC VIEW

NOTES:

1. COMPLY WITH ALL APPLICABLE NATIONAL AND LOCAL ELECTRICAL REGULATIONS.
2. REFER TO PRODUCT DOCUMENTATION FOR ADDITIONAL DETAILS PRIOR TO INSTALLATION AND SITE PREPARATION WORK.
3. ALL DIMENSIONS ARE IN MILLIMETERS [INCHES].

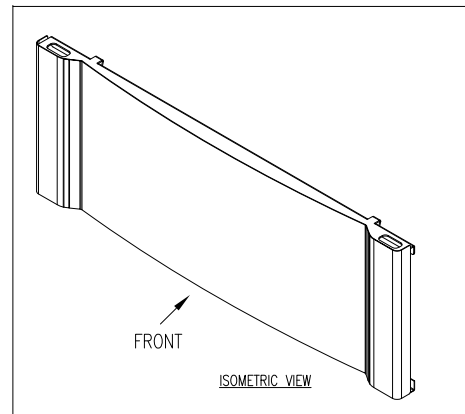
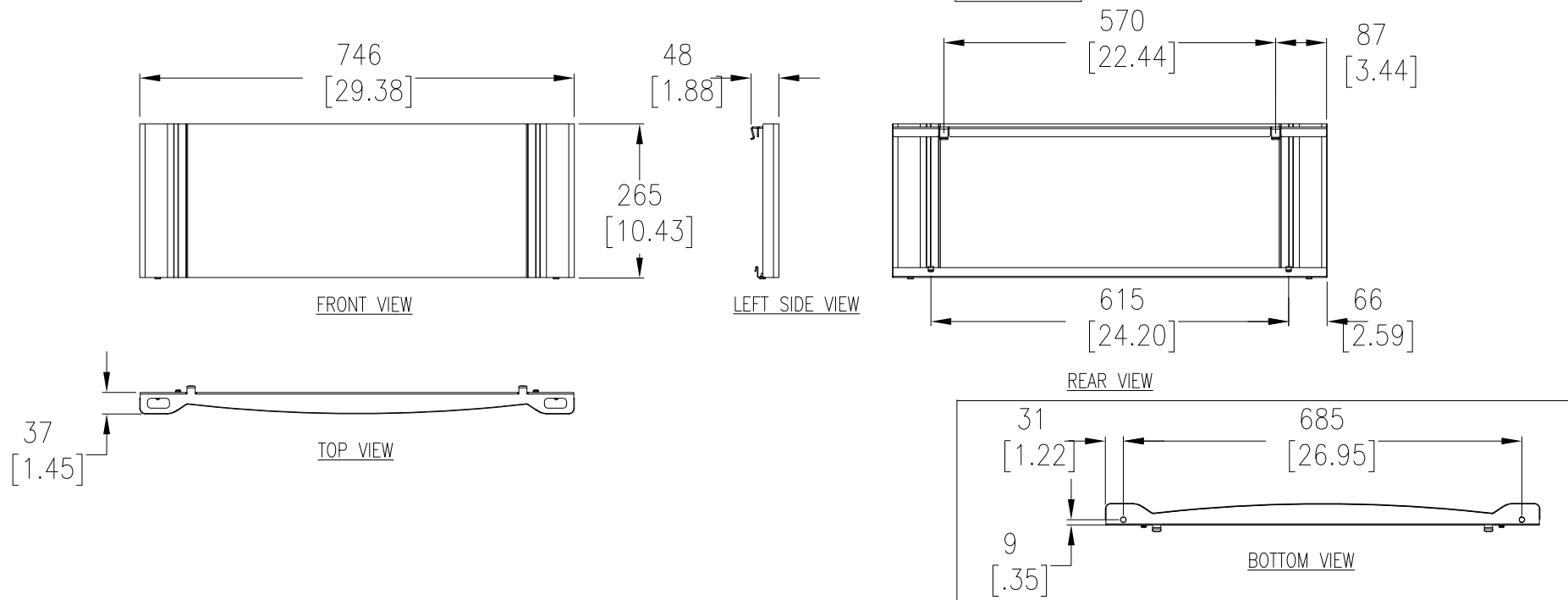
THIS DRAWING AND SPECIFICATIONS HEREIN ARE THE PROPERTY OF SCHNEIDER ELECTRIC AND SHALL NOT BE COPIED, REPRODUCED OR USED IN WHOLE OR IN PART, AS THE BASIS FOR THE MANUFACTURE OR SALE OF ITEMS WITHOUT WRITTEN PERMISSION FROM SCHNEIDER ELECTRIC. THIS DRAWING IS BASED UPON LATEST AVAILABLE INFORMATION AND IS SUBJECT TO CHANGE WITHOUT NOTICE.



TITLE:		DWG NO: ACDC2512-2516		REV. 0
Eco-Aisle (TM) Aisle Containment System ROOF HEIGHT ADAPTER (SX-SX) SIDE BRACE ACDC2512-15		DRAWN BY: K.NAGENDRA	07-JUN-13	FIRST
		ENGINEER: RUSTIN SHI/MARK MENG	07-JUN-13	ANGLE
PROJECT: SUBMITTAL DRAWINGS	SHEET 5 OF 8	APPROVED BY: AARON GRAFF	07-JUN-13	PROJ

ADAPTER FRONT PANEL

ACDC2516



NOTES:

1. COMPLY WITH ALL APPLICABLE NATIONAL AND LOCAL ELECTRICAL REGULATIONS.
2. REFER TO PRODUCT DOCUMENTATION FOR ADDITIONAL DETAILS PRIOR TO INSTALLATION AND SITE PREPARATION WORK.
3. ALL DIMENSIONS ARE IN MILLIMETERS [INCHES].

THIS DRAWING AND SPECIFICATIONS HEREIN ARE THE PROPERTY OF SCHNEIDER ELECTRIC AND SHALL NOT BE COPIED, REPRODUCED OR USED IN WHOLE OR IN PART, AS THE BASIS FOR THE MANUFACTURE OR SALE OF ITEMS WITHOUT WRITTEN PERMISSION FROM SCHNEIDER ELECTRIC. THIS DRAWING IS BASED UPON LATEST AVAILABLE INFORMATION AND IS SUBJECT TO CHANGE WITHOUT NOTICE.



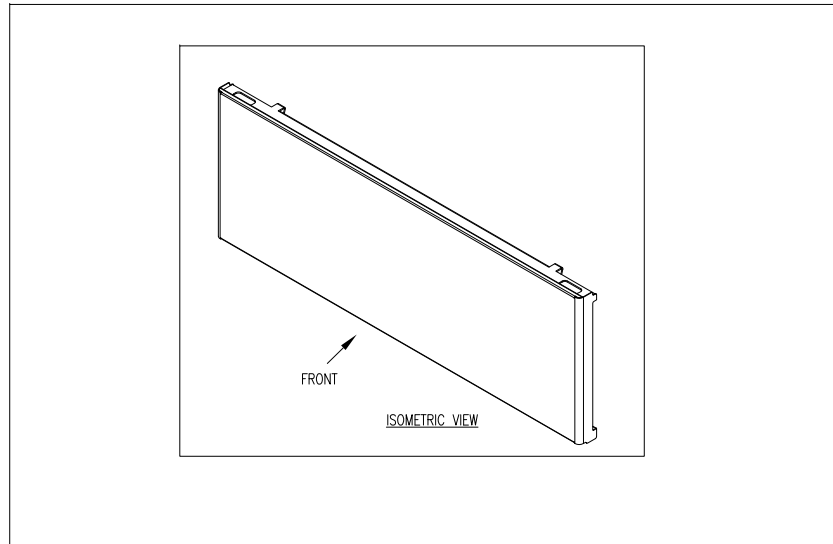
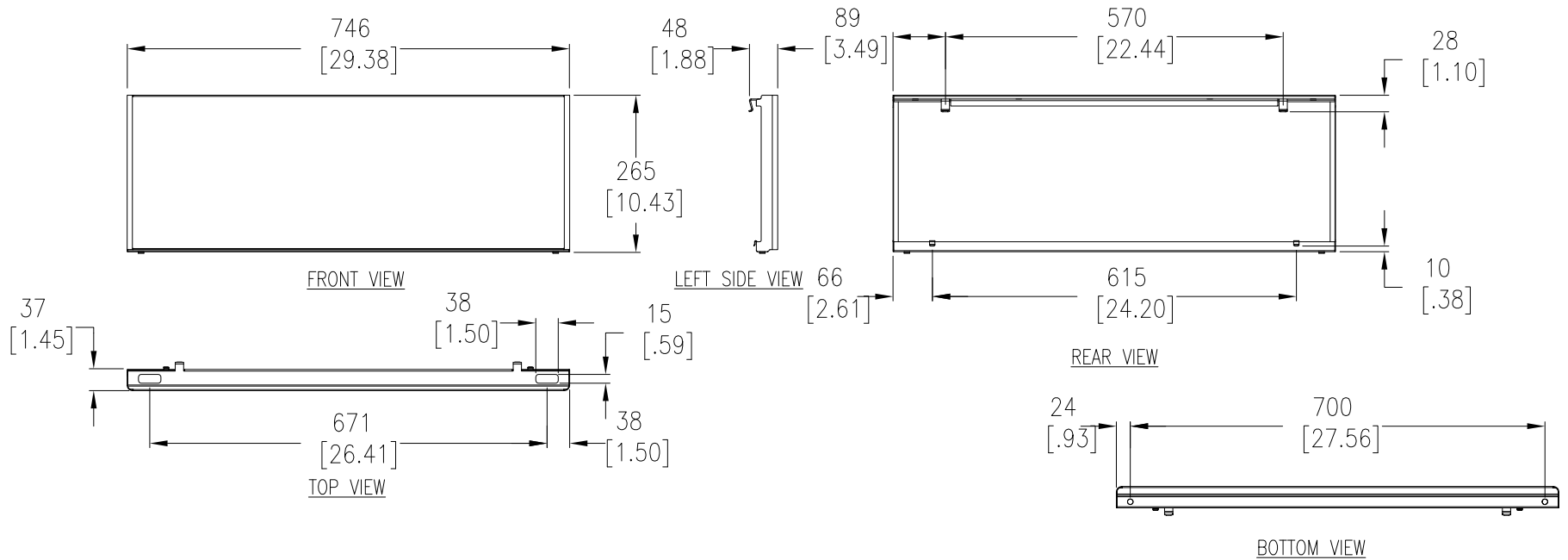
TITLE:  
Eco-Aisle (TM) Aisle Containment System  
ROOF HEIGHT ADAPTER (SX-SX)  
FRONT PANEL

PROJECT: SUBMITTAL DRAWINGS SHEET 6 OF 8

DWG NO:	ACDC2512-2516	REV.	0
DRAWN BY:	K.NAGENDRA	07-JUN-13	FIRST
ENGINEER:	RUSTIN SHI/MARK MENG	07-JUN-13	ANGLE
APPROVED BY:	AARON GRAFF	07-JUN-13	PROJ

REAR PANEL

ACDC2516



NOTES:

1. COMPLY WITH ALL APPLICABLE NATIONAL AND LOCAL ELECTRICAL REGULATIONS.
2. REFER TO PRODUCT DOCUMENTATION FOR ADDITIONAL DETAILS PRIOR TO INSTALLATION AND SITE PREPARATION WORK.
3. ALL DIMENSIONS ARE IN MILLIMETERS [INCHES].

THIS DRAWING AND SPECIFICATIONS HEREIN ARE THE PROPERTY OF SCHNEIDER ELECTRIC AND SHALL NOT BE COPIED, REPRODUCED OR USED IN WHOLE OR IN PART, AS THE BASIS FOR THE MANUFACTURE OR SALE OF ITEMS WITHOUT WRITTEN PERMISSION FROM SCHNEIDER ELECTRIC. THIS DRAWING IS BASED UPON LATEST AVAILABLE INFORMATION AND IS SUBJECT TO CHANGE WITHOUT NOTICE.



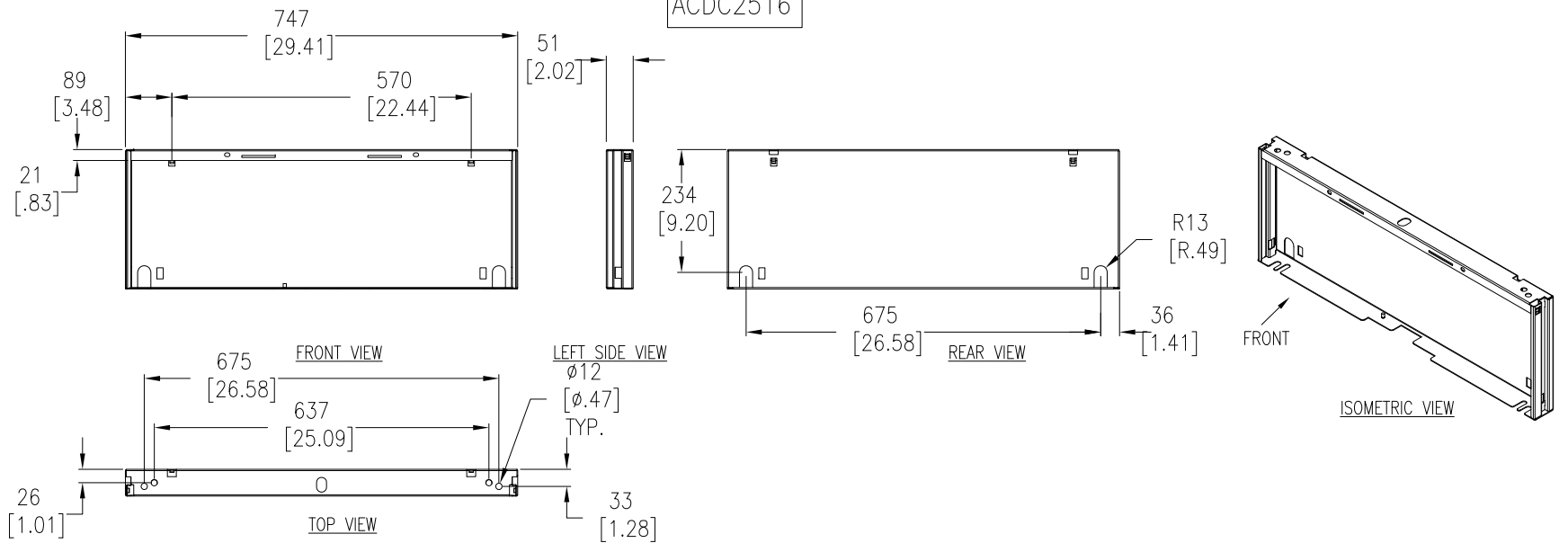
TITLE:  
Eco-Aisle (TM) Aisle Containment System  
ROOF HEIGHT ADAPTER (SX-SX)  
FRONT PANEL

PROJECT: SUBMITTAL DRAWINGS SHEET 7 OF 8

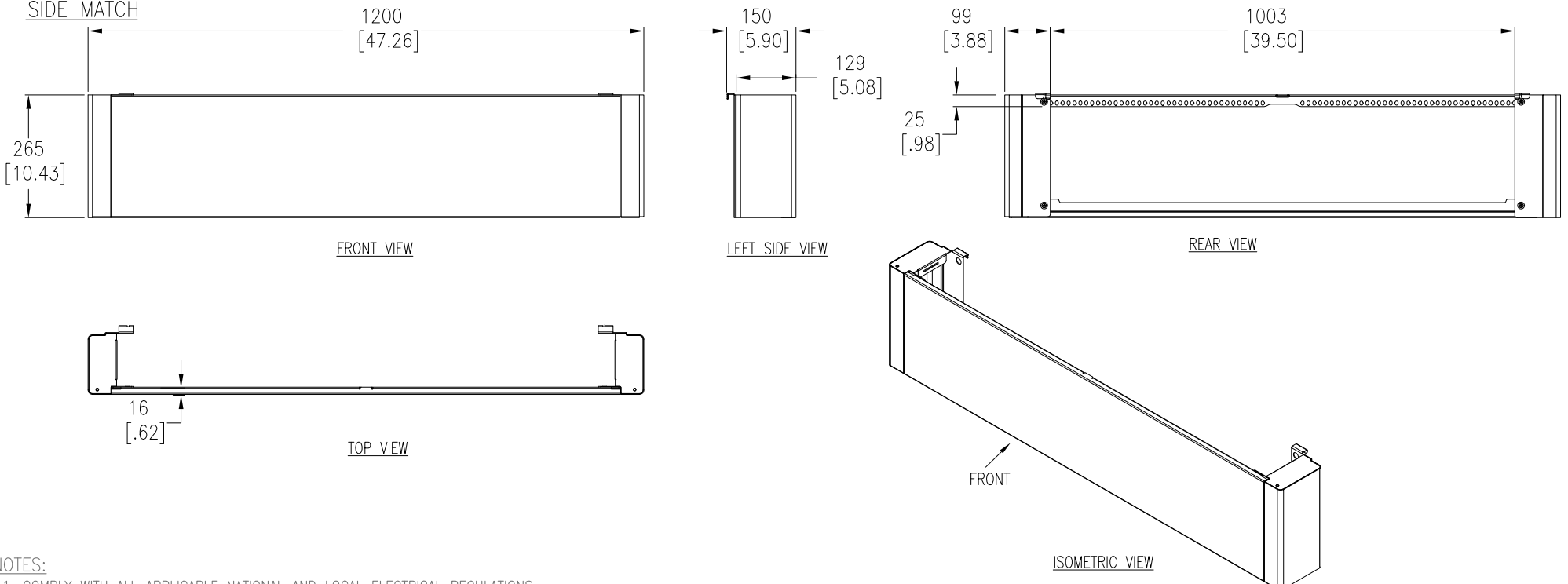
DWG NO:	ACDC2512-2516	REV.	0
DRAWN BY:	K.NAGENDRA	07-JUN-13	FIRST
ENGINEER:	RUSTIN SHI/MARK MENG	07-JUN-13	ANGLE
APPROVED BY:	AARON GRAFF	07-JUN-13	PROJ

CROSS BRACE

ACDC2516



SIDE MATCH



NOTES:

1. COMPLY WITH ALL APPLICABLE NATIONAL AND LOCAL ELECTRICAL REGULATIONS.
2. REFER TO PRODUCT DOCUMENTATION FOR ADDITIONAL DETAILS PRIOR TO INSTALLATION AND SITE PREPARATION WORK.
3. ALL DIMENSIONS ARE IN MILLIMETERS [INCHES].

THIS DRAWING AND SPECIFICATIONS HEREIN ARE THE PROPERTY OF SCHNEIDER ELECTRIC AND SHALL NOT BE COPIED, REPRODUCED OR USED IN WHOLE OR IN PART, AS THE BASIS FOR THE MANUFACTURE OR SALE OF ITEMS WITHOUT WRITTEN PERMISSION FROM SCHNEIDER ELECTRIC. THIS DRAWING IS BASED UPON LATEST AVAILABLE INFORMATION AND IS SUBJECT TO CHANGE WITHOUT NOTICE.



TITLE:  
Eco-Aisle (TM) Aisle Containment System  
ROOF HEIGHT ADAPTER (SX-SX)  
CROSS AND SIDE MATCH

PROJECT: SUBMITTAL DRAWINGS SHEET 8 OF 8

DWG NO:	ACDC2512-2516	REV.	0
DRAWN BY:	K.NAGENDRA	07-JUN-13	FIRST
ENGINEER:	RUSTIN SHI/MARK MENG	07-JUN-13	ANGLE
APPROVED BY:	AARON GRAFF	07-JUN-13	PROJ