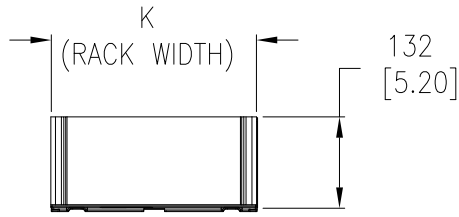
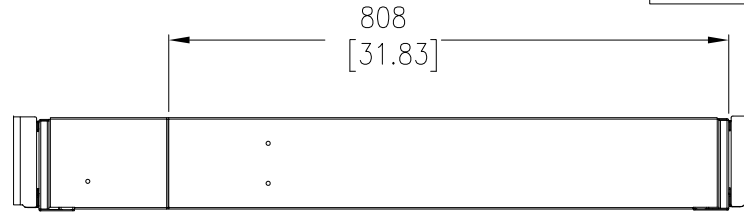


TYPICAL ARRANGEMENT- ROOF HEIGHT ADAPTER (SX-SX)

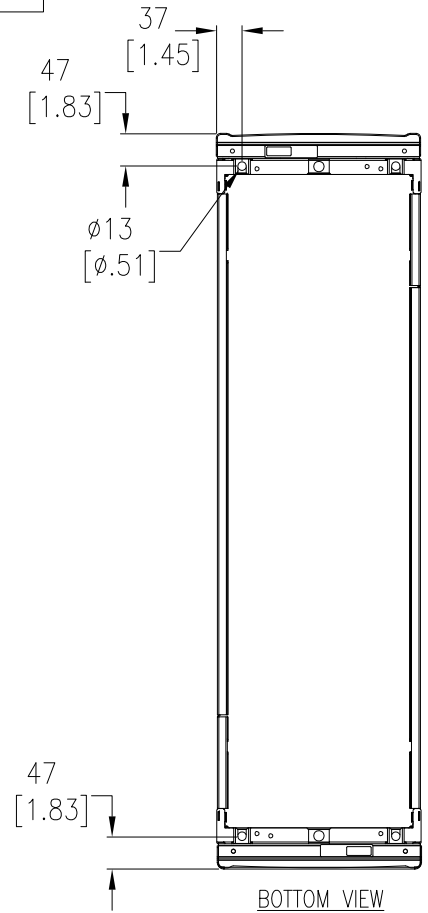
ACDC2505-2508



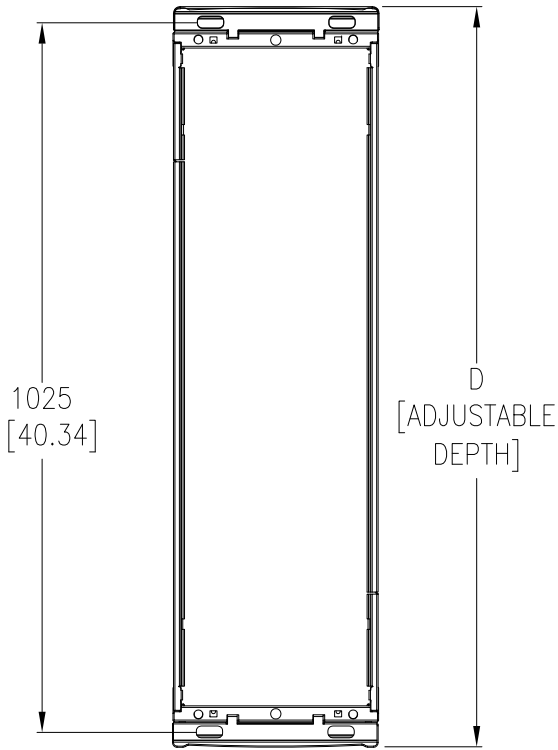
FRONT VIEW



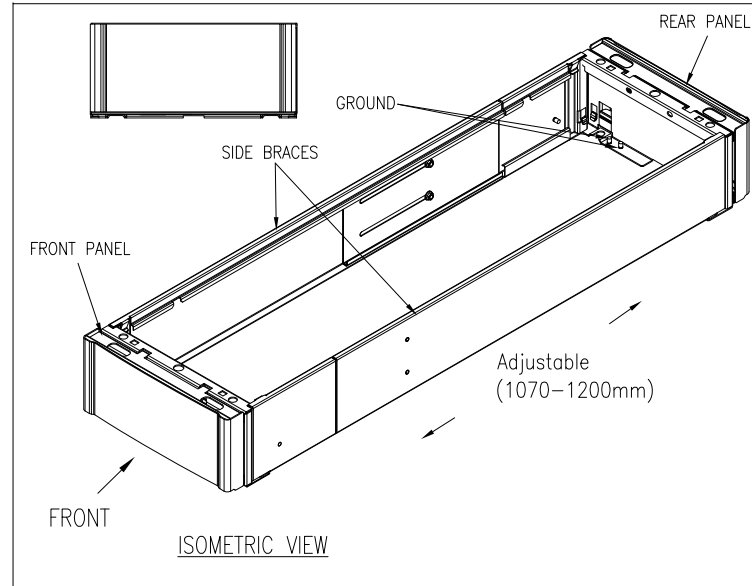
LEFT SIDE VIEW



BOTTOM VIEW



TOP VIEW



ISOMETRIC VIEW

4

NOTES:

1. COMPLY WITH ALL APPLICABLE NATIONAL AND LOCAL ELECTRICAL REGULATIONS.
2. REFER TO PRODUCT DOCUMENTATION FOR ADDITIONAL DETAILS PRIOR TO INSTALLATION AND SITE PREPARATION WORK.
3. ALL DIMENSIONS ARE IN MILLIMETERS [INCHES].
4. NET WEIGHT OF UNIT-REFER TO TABLE
5. TYPICAL ARRANGEMENT SHOWN FOR ROOF HEIGHT ADAPTER (SX-SX)-300mm(11.81in) CONFIGURATION.

5

Roof Height Adapter Details

SKU No.	Rack Type	K (Rack Width)	Depth (Adjustable)	Weight, kg (lbs)
ACDC2505	SX42U-SX42U, 300mm	296 (11.65)	1070 (42.12) ADJUSTABLE TO 1200 (47.24)	10.49 (23.08)
ACDC2506	SX42U-SX42U, 600mm	596 (23.46)		10.20 (22.44)
ACDC2507	SX42U-SX42U, 700mm	696 (27.40)		11.83 (26.03)
ACDC2508	SX42U-SX42U, 750mm	746 (29.37)		11.69 (25.72)

THIS DRAWING AND SPECIFICATIONS HEREIN ARE THE PROPERTY OF SCHNEIDER ELECTRIC AND SHALL NOT BE COPIED, REPRODUCED OR USED IN WHOLE OR IN PART, AS THE BASIS FOR THE MANUFACTURE OR SALE OF ITEMS WITHOUT WRITTEN PERMISSION FROM SCHNEIDER ELECTRIC. THIS DRAWING IS BASED UPON LATEST AVAILABLE INFORMATION AND IS SUBJECT TO CHANGE WITHOUT NOTICE.



TITLE:
Eco-Aisle (TM) Aisle Containment System
ROOF HEIGHT ADAPTER (SX-SX)
ASSEMBLY ACDC2505-2508

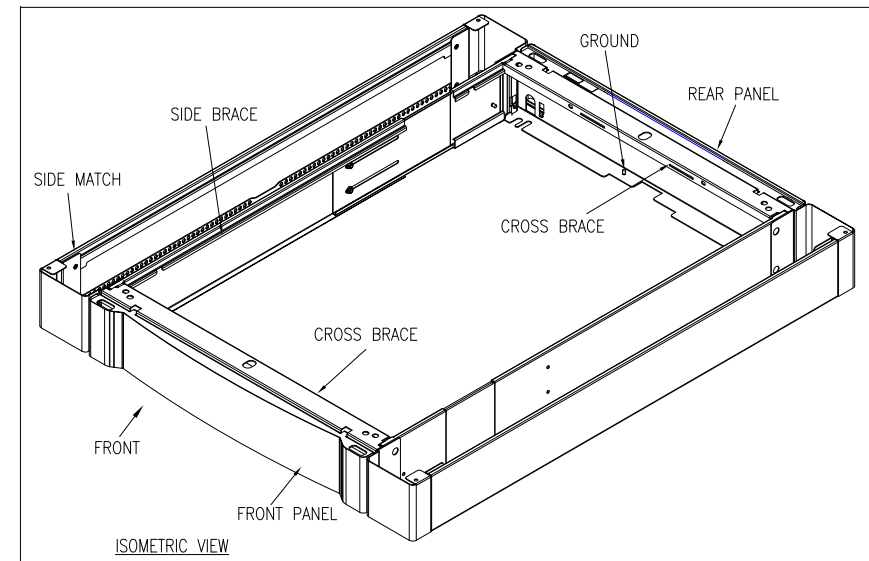
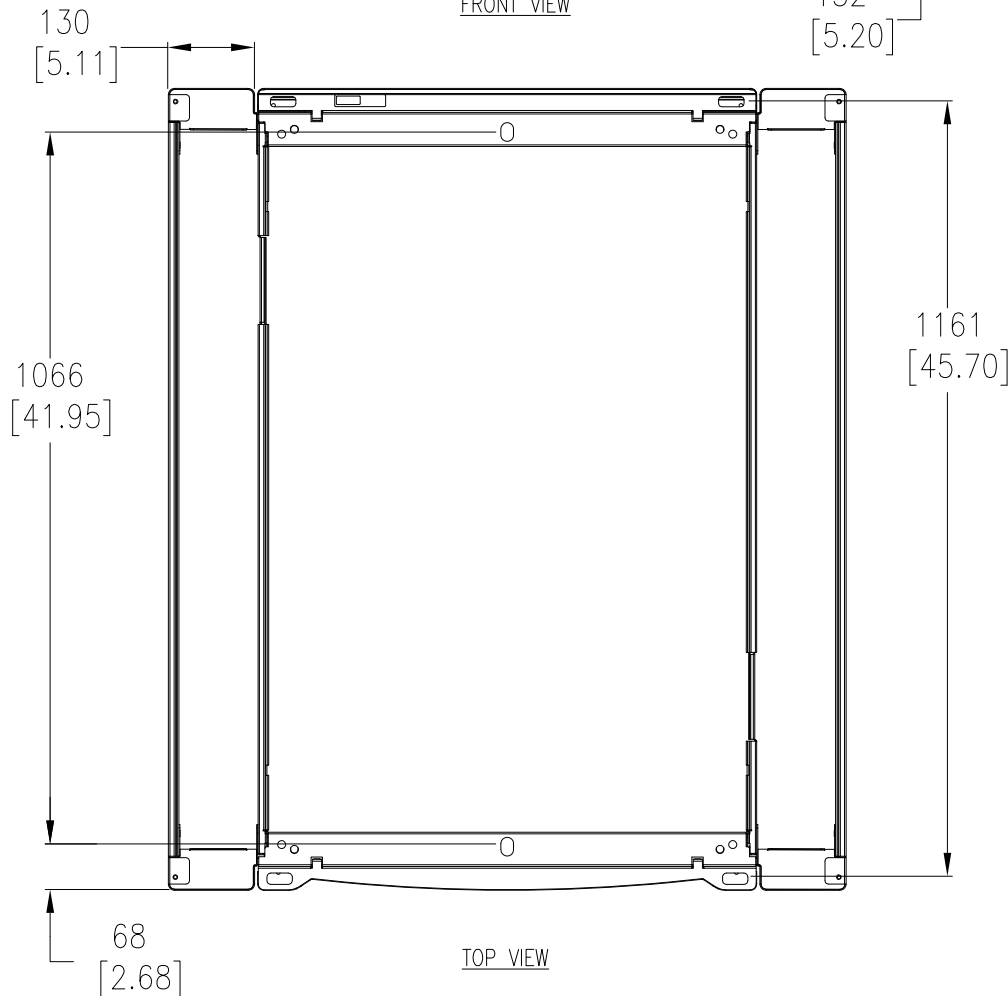
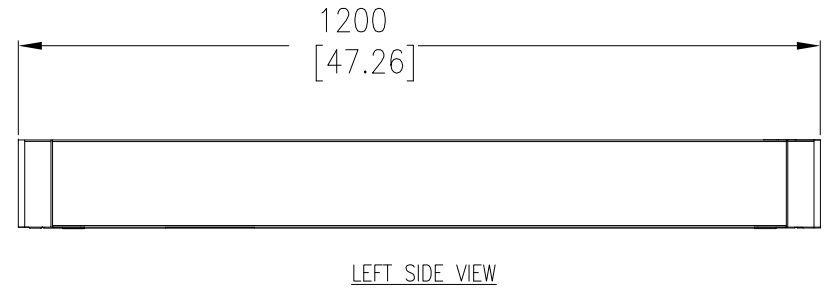
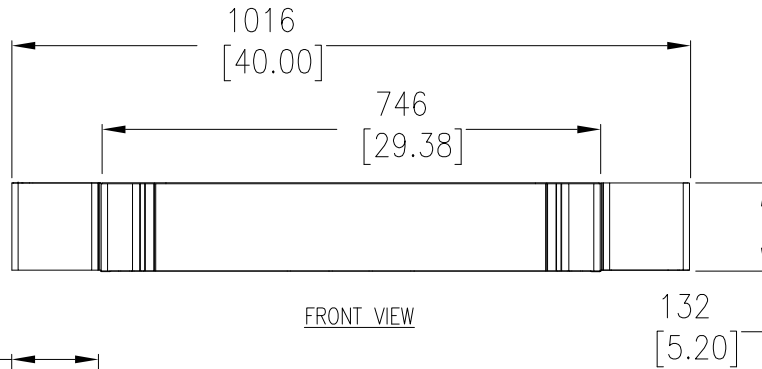
PROJECT: SUBMITTAL DRAWINGS SHEET 1 OF 8

DWG NO: ACDC2505-2509 REV. 1

DRAWN BY: K.NAGENDRA	27-NOV-14	FIRST ANGLE
ENGINEER: RUSTIN SHI/MARK MENG	27-NOV-14	PROJECT
APPROVED BY: AARON GRAFF	27-NOV-14	

TYPICAL ARRANGEMENT- ROOF HEIGHT ADAPTER (SX-SX)

ACDC2509



Roof Height Adapter Details

SKU No.	Rack Type	K (Rack Width)	Weight, kg (lbs)
ACDC2509	SX42U-SX42U, 1016mm	1014 (39.92)	20.83 (45.83)

NOTES:

1. COMPLY WITH ALL APPLICABLE NATIONAL AND LOCAL ELECTRICAL REGULATIONS.
2. REFER TO PRODUCT DOCUMENTATION FOR ADDITIONAL DETAILS PRIOR TO INSTALLATION AND SITE PREPARATION WORK.
3. ALL DIMENSIONS ARE IN MILLIMETERS [INCHES].

THIS DRAWING AND SPECIFICATIONS HEREIN ARE THE PROPERTY OF SCHNEIDER ELECTRIC AND SHALL NOT BE COPIED, REPRODUCED OR USED IN WHOLE OR IN PART, AS THE BASIS FOR THE MANUFACTURE OR SALE OF ITEMS WITHOUT WRITTEN PERMISSION FROM SCHNEIDER ELECTRIC. THIS DRAWING IS BASED UPON LATEST AVAILABLE INFORMATION AND IS SUBJECT TO CHANGE WITHOUT NOTICE.

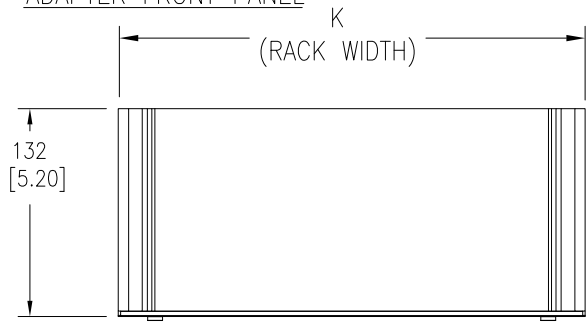


TITLE:
Eco-Aisle (TM) Aisle Containment System
ROOF HEIGHT ADAPTER (SX-SX)
ASSEMBLY ACDC2509

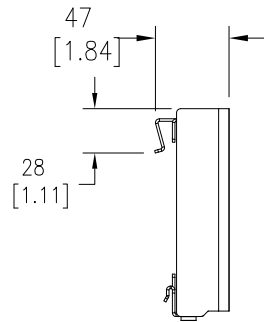
PROJECT: SUBMITTAL DRAWINGS | SHEET 2 OF 8

DWG NO:	REV.
ACDC2505-2509	1
DRAWN BY: K.NAGENDRA	27-NOV-14
ENGINEER: RUSTIN SHI/MARK MENG	27-NOV-14
APPROVED BY: AARON GRAFF	27-NOV-14
	FIRST ANGLE PROJ

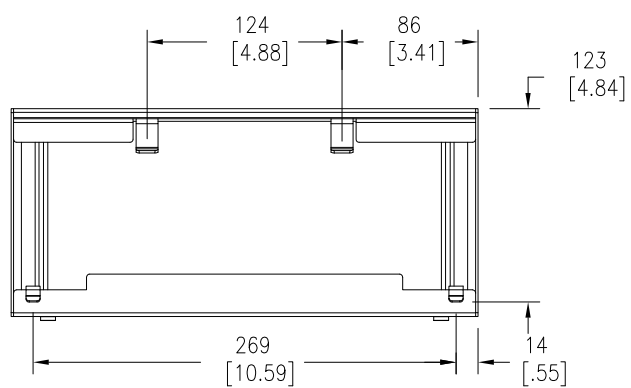
ADAPTER FRONT PANEL



FRONT VIEW

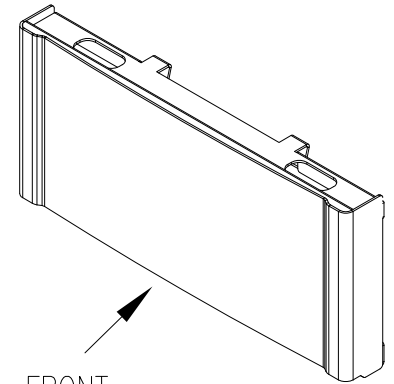


LEFT SIDE VIEW

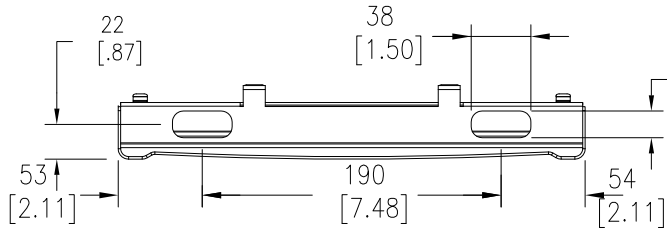


REAR VIEW

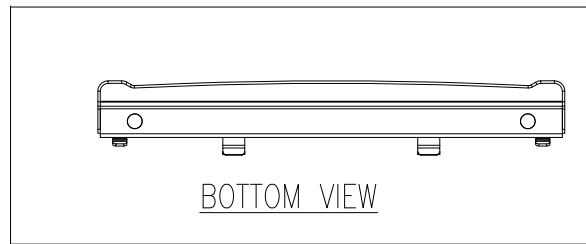
ACDC2505-2508



ISOMETRIC VIEW

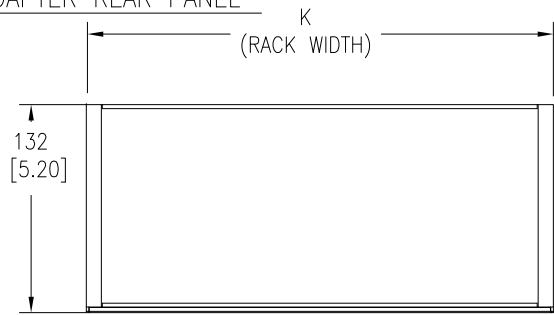


TOP VIEW

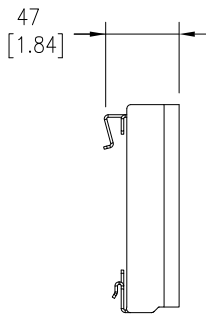


BOTTOM VIEW

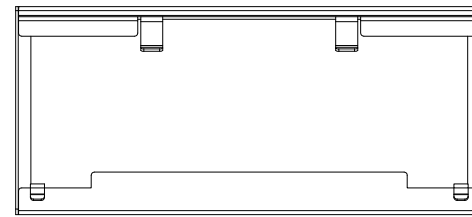
ADAPTER REAR PANEL



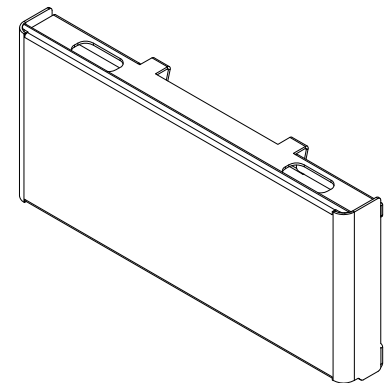
FRONT VIEW



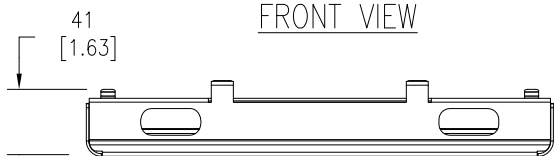
LEFT SIDE VIEW



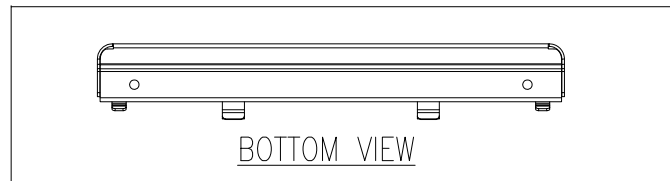
REAR VIEW



ISOMETRIC VIEW



TOP VIEW



BOTTOM VIEW

NOTES:

1. COMPLY WITH ALL APPLICABLE NATIONAL AND LOCAL ELECTRICAL REGULATIONS.
2. REFER TO PRODUCT DOCUMENTATION FOR ADDITIONAL DETAILS PRIOR TO INSTALLATION AND SITE PREPARATION WORK.
3. ALL DIMENSIONS ARE IN MILLIMETERS [INCHES].

THIS DRAWING AND SPECIFICATIONS HEREIN ARE THE PROPERTY OF SCHNEIDER ELECTRIC AND SHALL NOT BE COPIED, REPRODUCED OR USED IN WHOLE OR IN PART, AS THE BASIS FOR THE MANUFACTURE OR SALE OF ITEMS WITHOUT WRITTEN PERMISSION FROM SCHNEIDER ELECTRIC. THIS DRAWING IS BASED UPON LATEST AVAILABLE INFORMATION AND IS SUBJECT TO CHANGE WITHOUT NOTICE.



TITLE:

Eco-Aisle (TM) Aisle Containment System
ROOF HEIGHT ADAPTER (SX-SX)
FRONT AND REAR PANEL

PROJECT: SUBMITTAL DRAWINGS SHEET 3 OF 8

DWG NO: ACDC2505-2509 REV. 1

DRAWN BY: K.NAGENDRA 27-NOV-14 FIRST

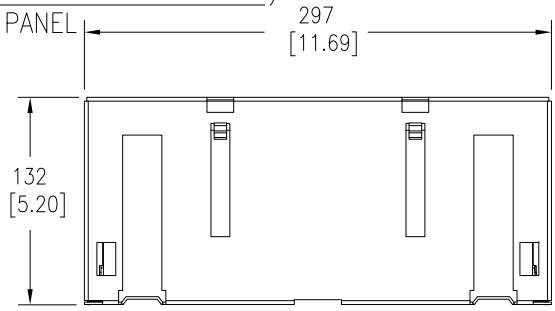
ENGINEER: RUSTIN SHI/MARK MENG 27-NOV-14 ANGLE

APPROVED BY: AARON GRAFF 27-NOV-14 PROJ

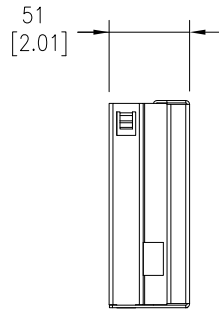
CROSS BRACE (FRONT OR REAR PANEL)

QTY.- 2 PER PANEL

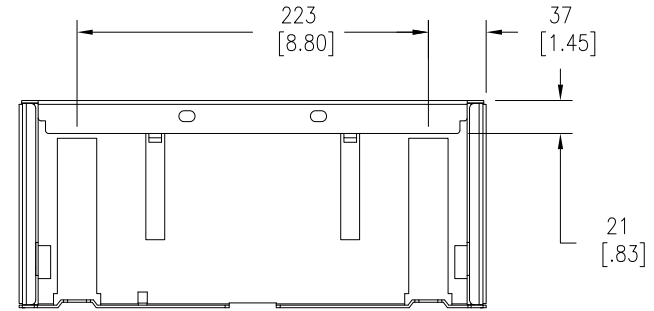
ACDC2505-2508



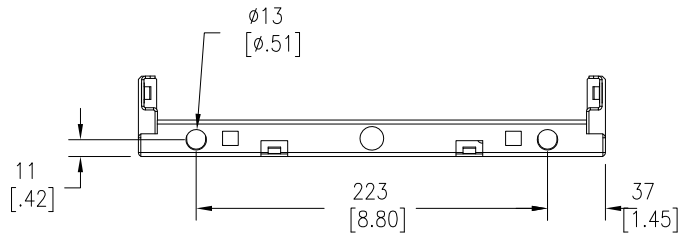
FRONT VIEW



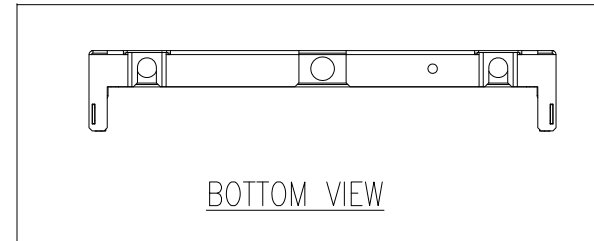
LEFT SIDE VIEW



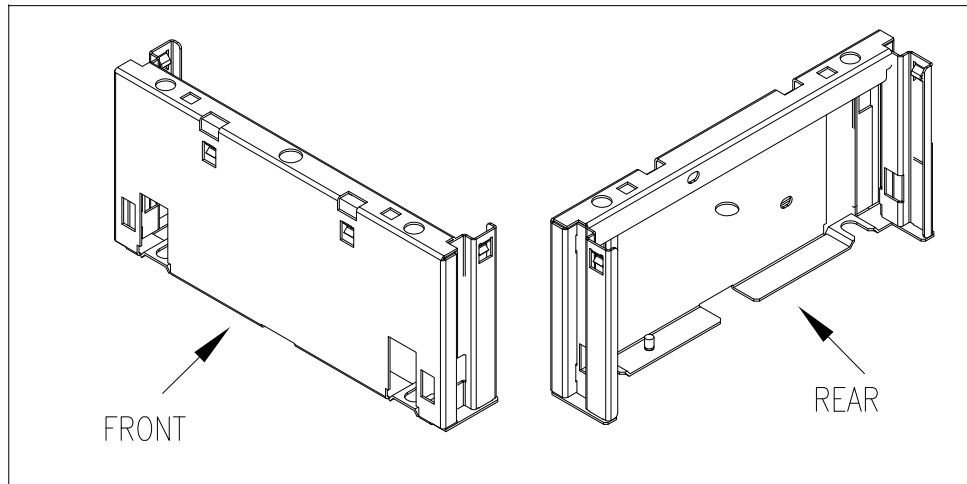
REAR VIEW



TOP VIEW



BOTTOM VIEW



NOTES:

1. COMPLY WITH ALL APPLICABLE NATIONAL AND LOCAL ELECTRICAL REGULATIONS.
2. REFER TO PRODUCT DOCUMENTATION FOR ADDITIONAL DETAILS PRIOR TO INSTALLATION AND SITE PREPARATION WORK.
3. ALL DIMENSIONS ARE IN MILLIMETERS [INCHES].

THIS DRAWING AND SPECIFICATIONS HEREIN ARE THE PROPERTY OF SCHNEIDER ELECTRIC AND SHALL NOT BE COPIED, REPRODUCED OR USED IN WHOLE OR IN PART, AS THE BASIS FOR THE MANUFACTURE OR SALE OF ITEMS WITHOUT WRITTEN PERMISSION FROM SCHNEIDER ELECTRIC. THIS DRAWING IS BASED UPON LATEST AVAILABLE INFORMATION AND IS SUBJECT TO CHANGE WITHOUT NOTICE.



TITLE:
Eco-Aisle (TM) Aisle Containment System
ROOF HEIGHT ADAPTER (SX-SX)
CROSS BRACE

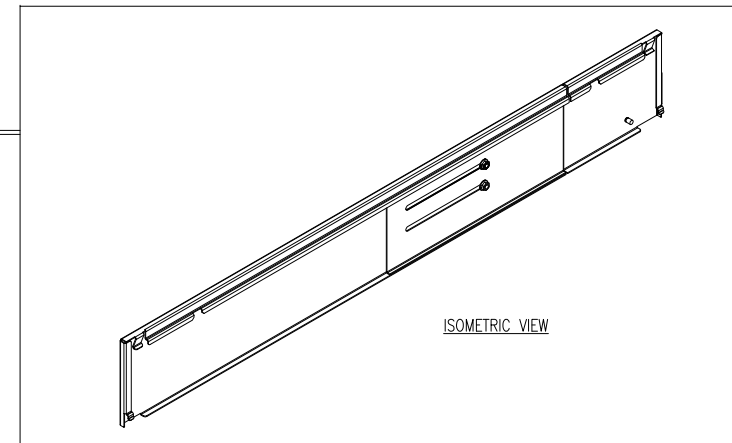
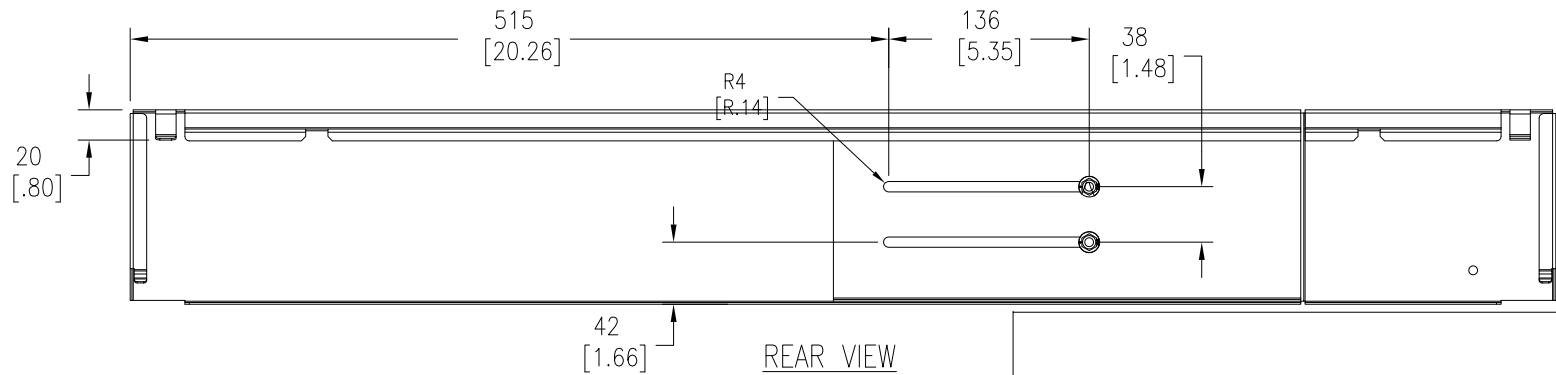
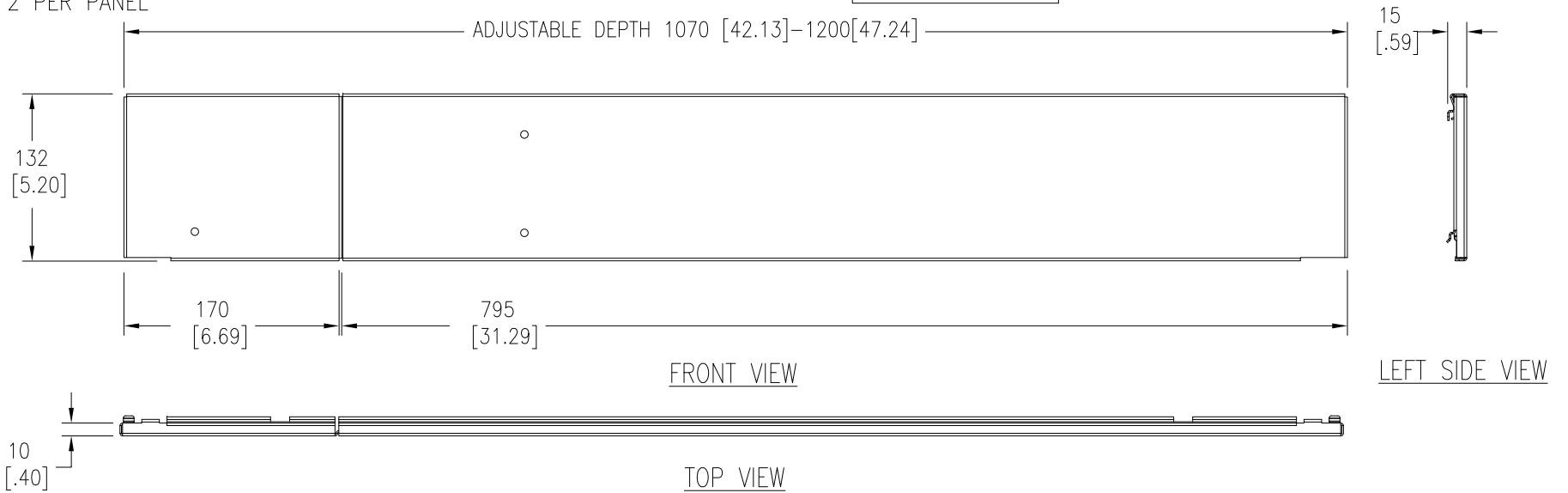
PROJECT: SUBMITTAL DRAWINGS SHEET 4 OF 8

DWG NO:	ACDC2505-2509	REV.	1
DRAWN BY:	K.NAGENDRA	27-NOV-14	FIRST
ENGINEER:	RUSTIN SHI/MARK MENG	27-NOV-14	ANGLE
APPROVED BY:	AARON GRAFF	27-NOV-14	PROJ

SIDE BRACE (LEFT OR RIGHT)

ACDC2505-2509

QTY.- 2 PER PANEL



NOTES:

1. COMPLY WITH ALL APPLICABLE NATIONAL AND LOCAL ELECTRICAL REGULATIONS.
2. REFER TO PRODUCT DOCUMENTATION FOR ADDITIONAL DETAILS PRIOR TO INSTALLATION AND SITE PREPARATION WORK.
3. ALL DIMENSIONS ARE IN MILLIMETERS [INCHES].

THIS DRAWING AND SPECIFICATIONS HEREIN ARE THE PROPERTY OF SCHNEIDER ELECTRIC AND SHALL NOT BE COPIED, REPRODUCED OR USED IN WHOLE OR IN PART, AS THE BASIS FOR THE MANUFACTURE OR SALE OF ITEMS WITHOUT WRITTEN PERMISSION FROM SCHNEIDER ELECTRIC. THIS DRAWING IS BASED UPON LATEST AVAILABLE INFORMATION AND IS SUBJECT TO CHANGE WITHOUT NOTICE.



TITLE:
Eco-Aisle (TM) Aisle Containment System
ROOF HEIGHT ADAPTER (SX-SX)
SIDE BRACE

PROJECT: SUBMITTAL DRAWINGS SHEET 5 OF 8

DWG NO: ACDC2505-2509

DRAWN BY: K.NAGENDRA 27-NOV-14

ENGINEER: RUSTIN SHI/MARK MENG 27-NOV-14

APPROVED BY: AARON GRAFF 27-NOV-14

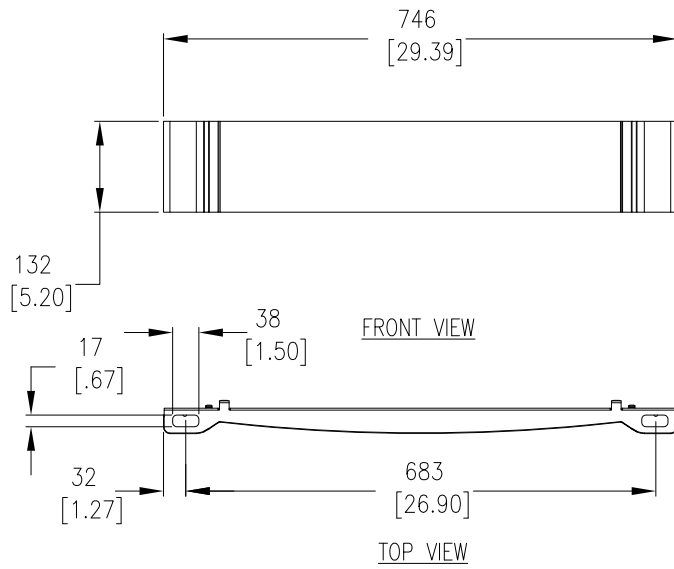
REV. 1

FIRST

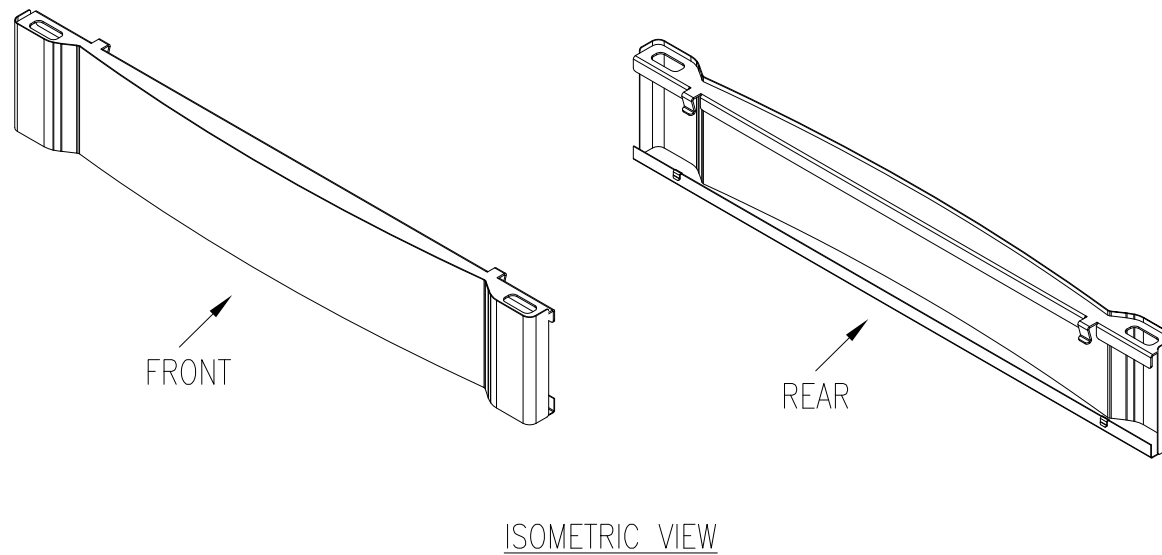
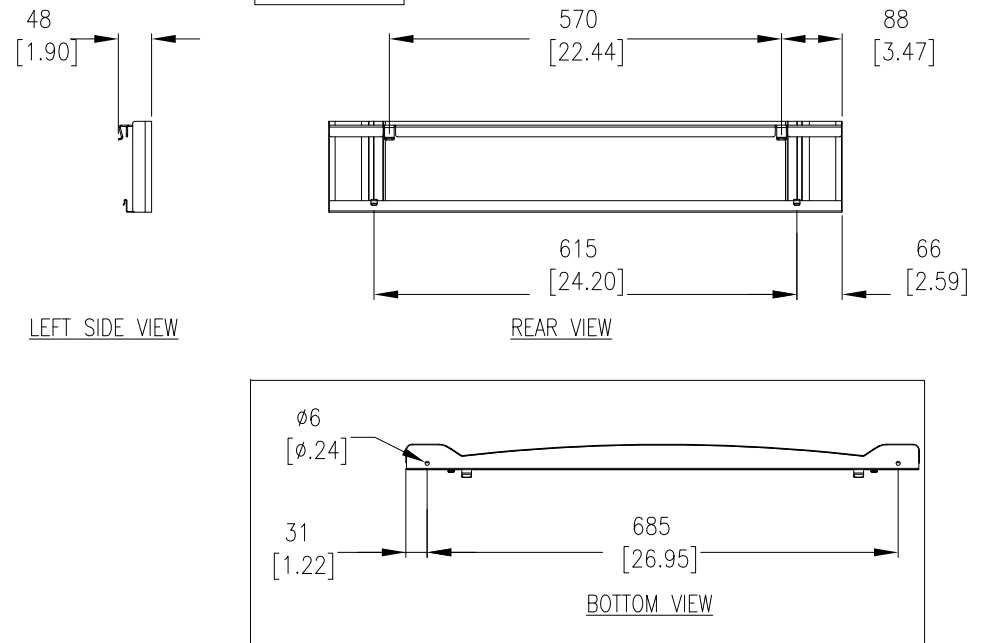
ANGLE

PROJ

ADAPTER FRONT PANEL



ACDC2509



NOTES:

1. COMPLY WITH ALL APPLICABLE NATIONAL AND LOCAL ELECTRICAL REGULATIONS.
2. REFER TO PRODUCT DOCUMENTATION FOR ADDITIONAL DETAILS PRIOR TO INSTALLATION AND SITE PREPARATION WORK.
3. ALL DIMENSIONS ARE IN MILLIMETERS [INCHES].

THIS DRAWING AND SPECIFICATIONS HEREIN ARE THE PROPERTY OF SCHNEIDER ELECTRIC AND SHALL NOT BE COPIED, REPRODUCED OR USED IN WHOLE OR IN PART, AS THE BASIS FOR THE MANUFACTURE OR SALE OF ITEMS WITHOUT WRITTEN PERMISSION FROM SCHNEIDER ELECTRIC. THIS DRAWING IS BASED UPON LATEST AVAILABLE INFORMATION AND IS SUBJECT TO CHANGE WITHOUT NOTICE.

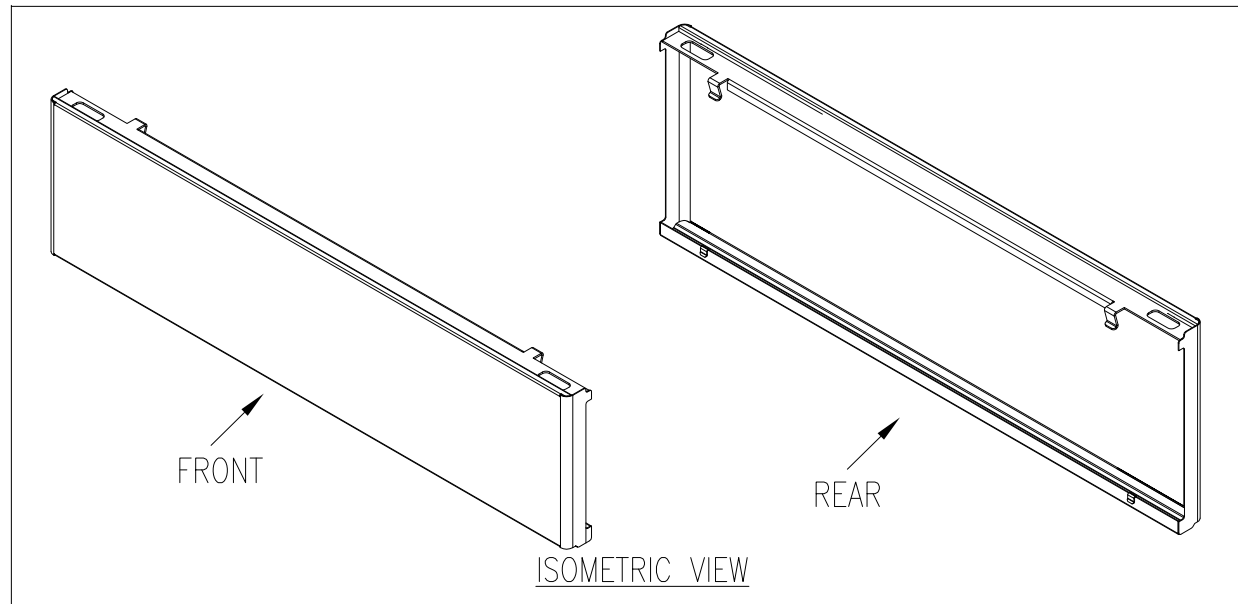
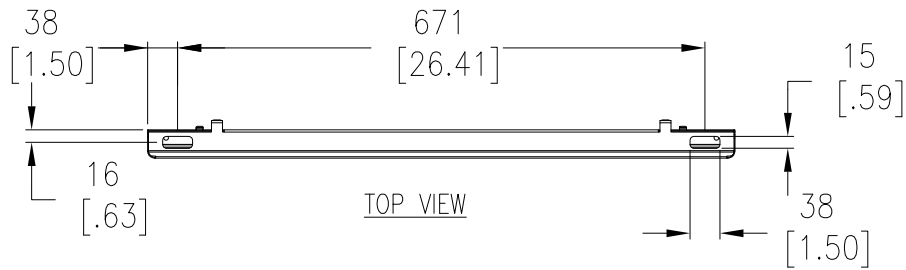
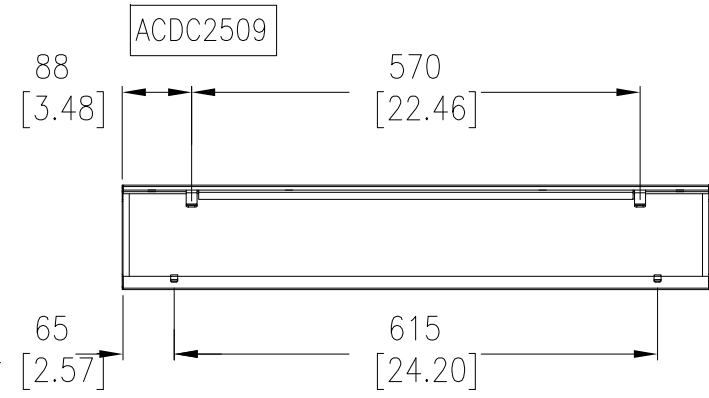
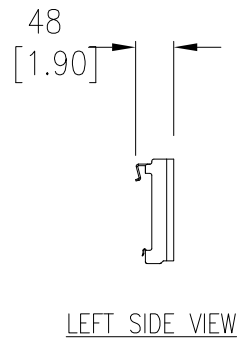
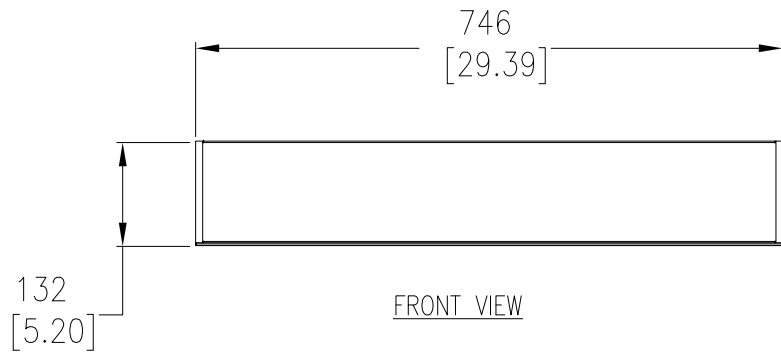


TITLE:
Eco-Aisle (TM) Aisle Containment System
ROOF HEIGHT ADAPTER (SX-SX)
FRONT PANEL

PROJECT: SUBMITTAL DRAWINGS | SHEET 6 OF 8

DWG NO:	ACDC2505-2509	REV.	1
DRAWN BY:	K.NAGENDRA	27-NOV-14	FIRST
ENGINEER:	RUSTIN SHI/MARK MENG	27-NOV-14	ANGLE
APPROVED BY:	AARON GRAFF	27-NOV-14	PROJ

REAR PANEL



NOTES:

1. COMPLY WITH ALL APPLICABLE NATIONAL AND LOCAL ELECTRICAL REGULATIONS.
2. REFER TO PRODUCT DOCUMENTATION FOR ADDITIONAL DETAILS PRIOR TO INSTALLATION AND SITE PREPARATION WORK.
3. ALL DIMENSIONS ARE IN MILLIMETERS [INCHES].

THIS DRAWING AND SPECIFICATIONS HEREIN ARE THE PROPERTY OF SCHNEIDER ELECTRIC AND SHALL NOT BE COPIED, REPRODUCED OR USED IN WHOLE OR IN PART, AS THE BASIS FOR THE MANUFACTURE OR SALE OF ITEMS WITHOUT WRITTEN PERMISSION FROM SCHNEIDER ELECTRIC. THIS DRAWING IS BASED UPON LATEST AVAILABLE INFORMATION AND IS SUBJECT TO CHANGE WITHOUT NOTICE.



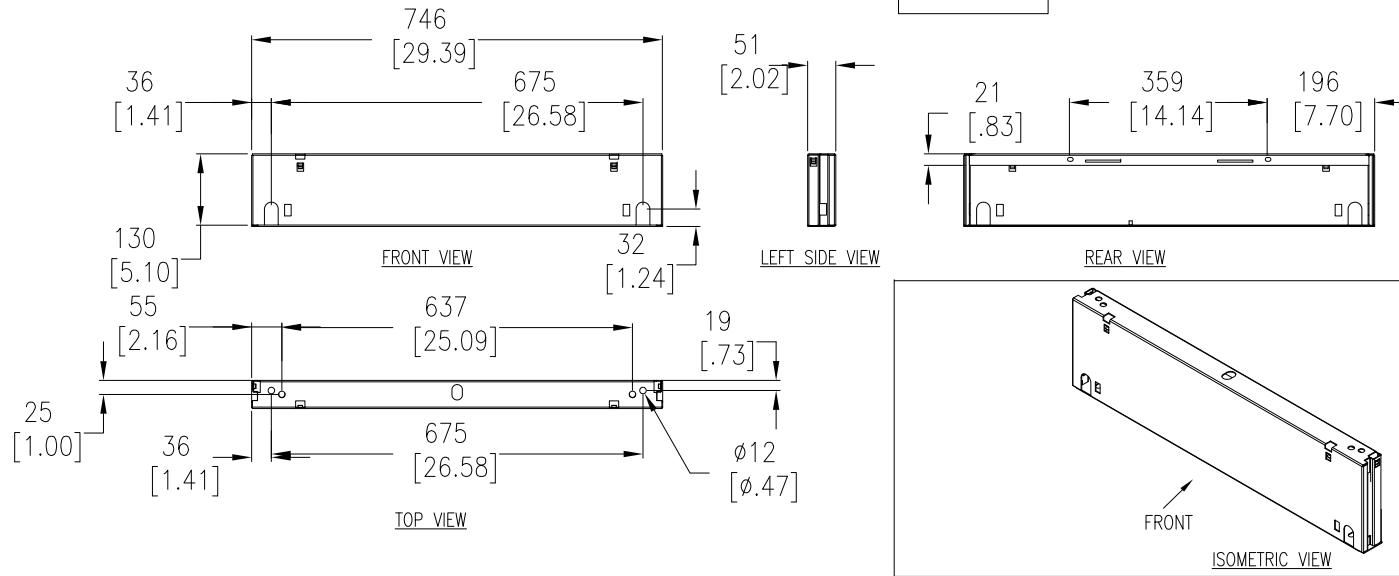
TITLE:
Eco-Aisle (TM) Aisle Containment System
ROOF HEIGHT ADAPTER (SX-SX)
FRONT PANEL

PROJECT: SUBMITTAL DRAWINGS | SHEET 7 OF 8

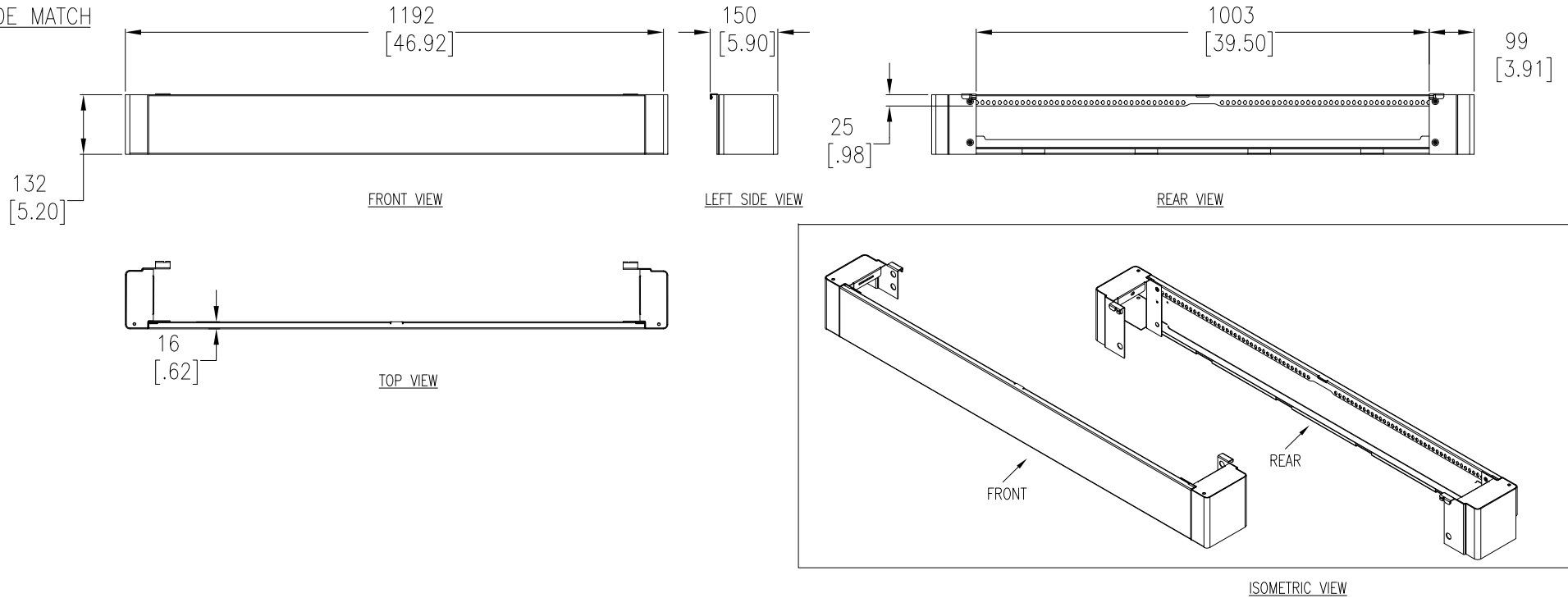
DWG NO:	ACDC2505-2509	REV.	1
DRAWN BY:	K.NAGENDRA	27-NOV-14	FIRST
ENGINEER:	RUSTIN SHI/MARK MENG	27-NOV-14	ANGLE
APPROVED BY:	AARON GRAFF	27-NOV-14	PROJ

CROSS BRACE

ACDC2509



SIDE MATCH



NOTES:

1. COMPLY WITH ALL APPLICABLE NATIONAL AND LOCAL ELECTRICAL REGULATIONS.
2. REFER TO PRODUCT DOCUMENTATION FOR ADDITIONAL DETAILS PRIOR TO INSTALLATION AND SITE PREPARATION WORK.
3. ALL DIMENSIONS ARE IN MILLIMETERS [INCHES].

THIS DRAWING AND SPECIFICATIONS HEREIN ARE THE PROPERTY OF SCHNEIDER ELECTRIC AND SHALL NOT BE COPIED, REPRODUCED OR USED IN WHOLE OR IN PART, AS THE BASIS FOR THE MANUFACTURE OR SALE OF ITEMS WITHOUT WRITTEN PERMISSION FROM SCHNEIDER ELECTRIC. THIS DRAWING IS BASED UPON LATEST AVAILABLE INFORMATION AND IS SUBJECT TO CHANGE WITHOUT NOTICE.



TITLE:
Eco-Aisle (TM) Aisle Containment System
ROOF HEIGHT ADAPTER (SX-SX)
FRONT PANEL

PROJECT: SUBMITTAL DRAWINGS SHEET 8 OF 8

DWG NO:	ACDC2505-2509	REV:	1
DRAWN BY:	K.NAGENDRA	DATE:	27-NOV-14
ENGINEER:	RUSTIN SHI/MARK MENG	DATE:	27-NOV-14
APPROVED BY:	AARON GRAFF	DATE:	27-NOV-14
			PROJ