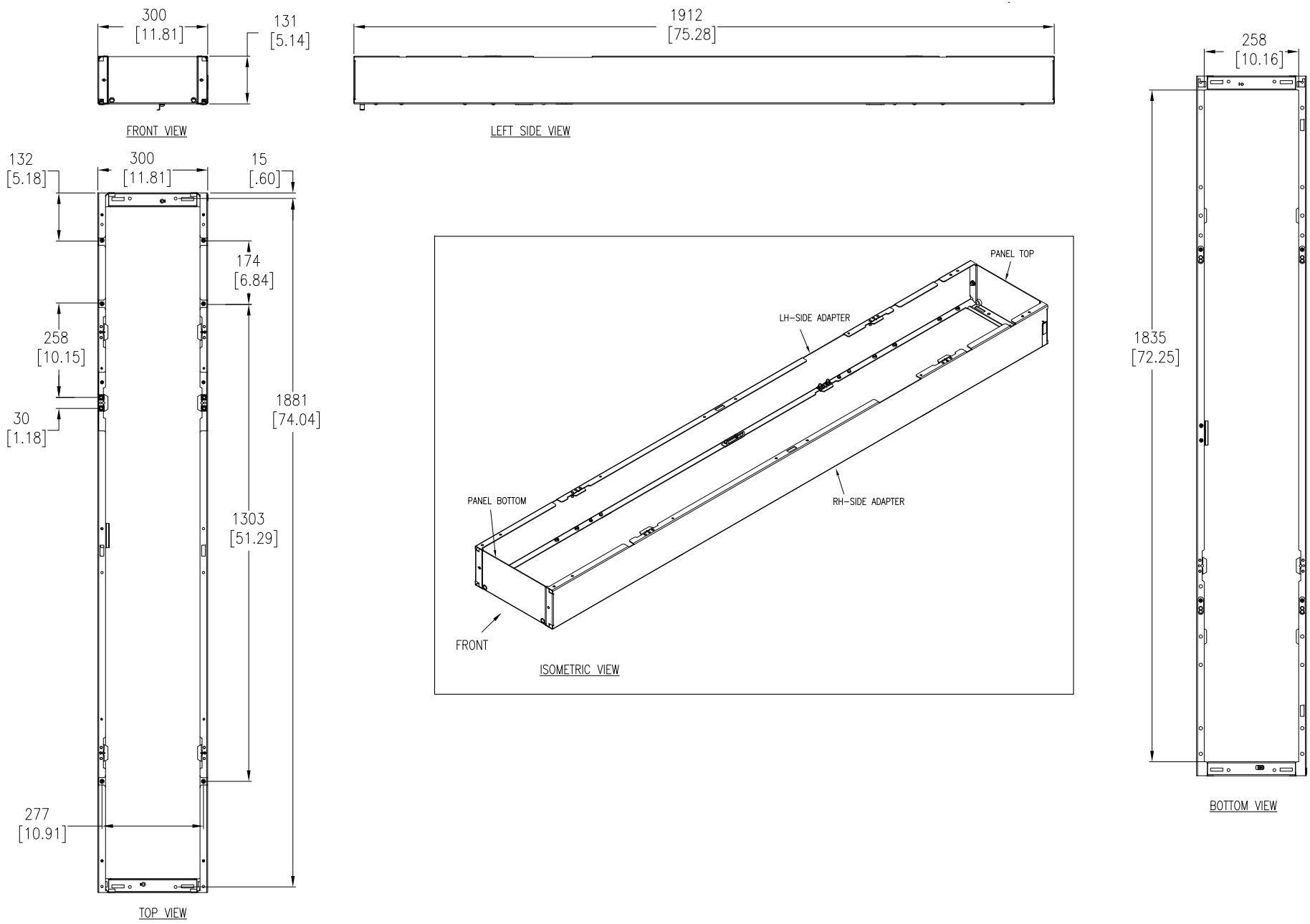


# DEPTH ADAPTER (SX42U) - 300mm



**NOTES:**

1. COMPLY WITH ALL APPLICABLE NATIONAL AND LOCAL ELECTRICAL REGULATIONS.
2. REFER TO PRODUCT DOCUMENTATION FOR ADDITIONAL DETAILS PRIOR TO INSTALLATION AND SITE PREPARATION WORK.
3. ALL DIMENSIONS ARE IN MILLIMETERS [INCHES].
4. NET WEIGHT OF UNIT IS 12.29kg [27.04lbs]

THIS DRAWING AND SPECIFICATIONS HEREIN ARE THE PROPERTY OF SCHNEIDER ELECTRIC AND SHALL NOT BE COPIED, REPRODUCED OR USED IN WHOLE OR IN PART, AS THE BASIS FOR THE MANUFACTURE OR SALE OF ITEMS WITHOUT WRITTEN PERMISSION FROM SCHNEIDER ELECTRIC. THIS DRAWING IS BASED UPON LATEST AVAILABLE INFORMATION AND IS SUBJECT TO CHANGE WITHOUT NOTICE.



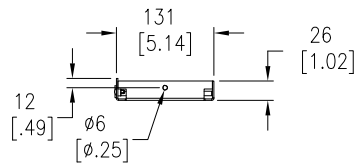
TITLE:  
 Eco-Aisle (TM) Aisle Containment System  
 DEPTH ADAPTER (SX42U) - 300mm  
 ASSEMBLY

PROJECT: SUBMITTAL DRAWINGS SHEET 1 OF 3

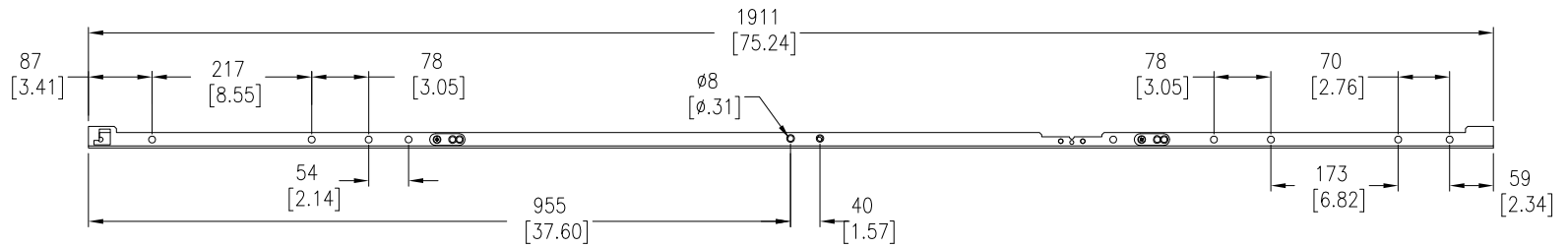
DWG NO:	ACDC2550	REV:	0
DRAWN BY:	K.NAGENDRA	11-JUN-13	FIRST
ENGINEER:	JASON LI/MARK MENG	11-JUN-13	ANGLE
APPROVED BY:	AARON GRAFF	11-JUN-13	PROJ

LH AND RH SIDE ADAPTERS

LH SIDE ADAPTER

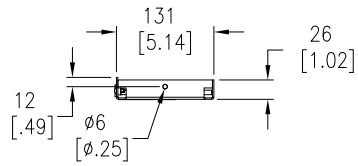


FRONT VIEW

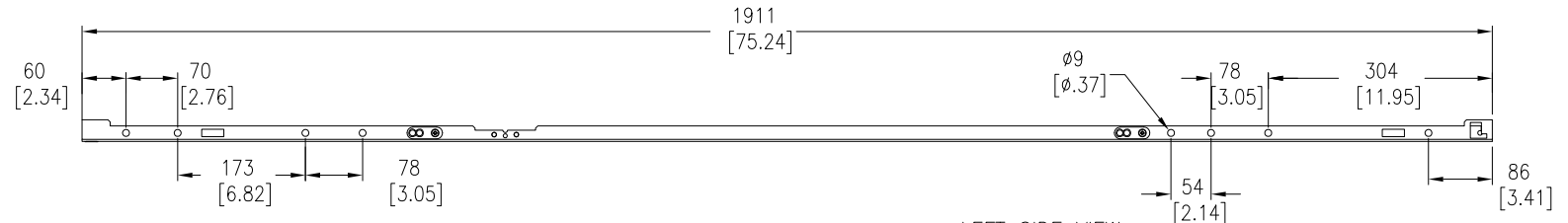


LEFT SIDE VIEW

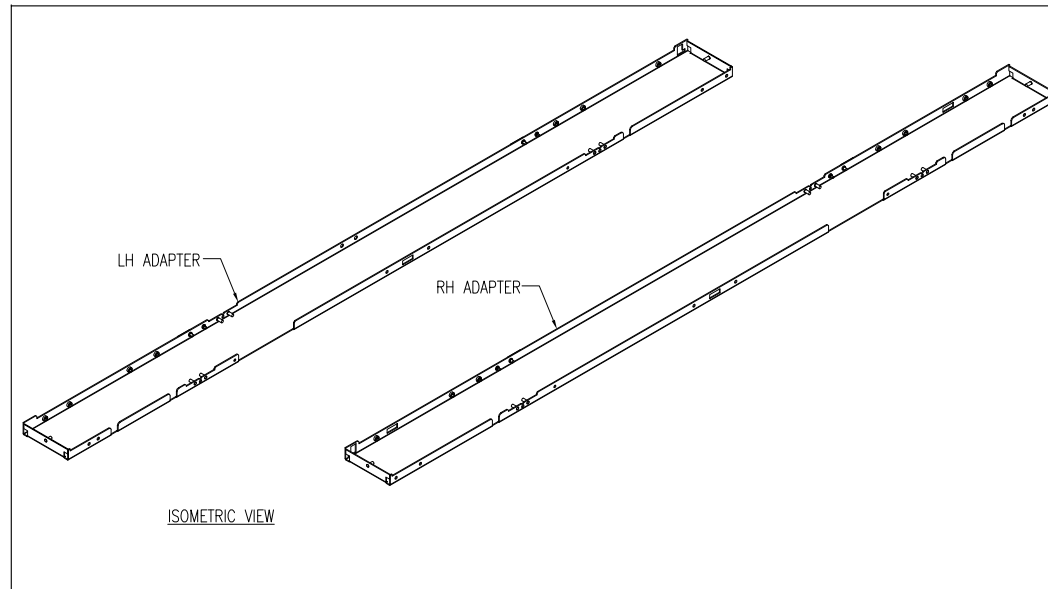
RH SIDE ADAPTER



FRONT VIEW



LEFT SIDE VIEW



ISOMETRIC VIEW

NOTES:

1. COMPLY WITH ALL APPLICABLE NATIONAL AND LOCAL ELECTRICAL REGULATIONS.
2. REFER TO PRODUCT DOCUMENTATION FOR ADDITIONAL DETAILS PRIOR TO INSTALLATION AND SITE PREPARATION WORK.
3. ALL DIMENSIONS ARE IN MILLIMETERS [INCHES].

THIS DRAWING AND SPECIFICATIONS HEREIN ARE THE PROPERTY OF SCHNEIDER ELECTRIC AND SHALL NOT BE COPIED, REPRODUCED OR USED IN WHOLE OR IN PART, AS THE BASIS FOR THE MANUFACTURE OR SALE OF ITEMS WITHOUT WRITTEN PERMISSION FROM SCHNEIDER ELECTRIC. THIS DRAWING IS BASED UPON LATEST AVAILABLE INFORMATION AND IS SUBJECT TO CHANGE WITHOUT NOTICE.

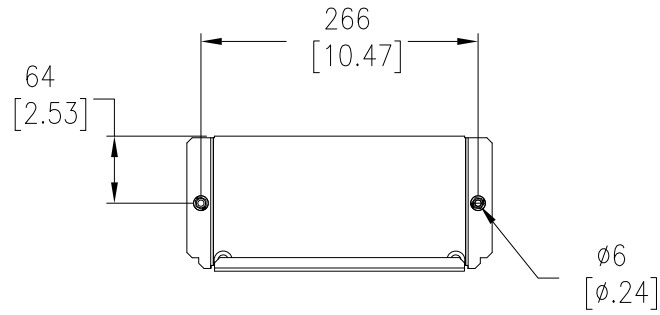


TITLE:  
Eco-Aisle (TM) Aisle Containment System  
DEPTH ADAPTER (SX42U) - 300mm  
LH & RH SIDE ADAPTER

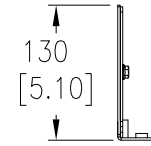
PROJECT: SUBMITTAL DRAWINGS SHEET 2 OF 3

DWG NO:	ACDC2550	REV.	0
DRAWN BY:	K.NAGENDRA	11-JUN-13	FIRST
ENGINEER:	JASON LI/MARK MENG	11-JUN-13	ANGLE
APPROVED BY:	AARON GRAFF	11-JUN-13	PROJ

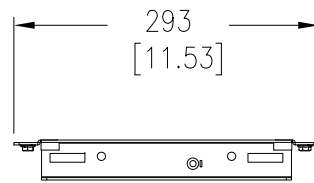
PANEL TOP/BOTTOM  
(QTY.- 2 PER PANEL)



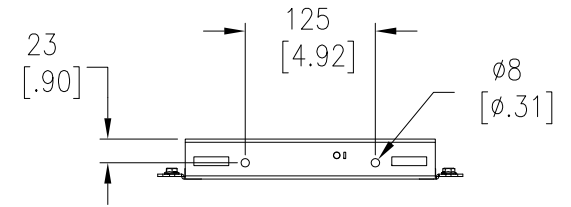
FRONT VIEW



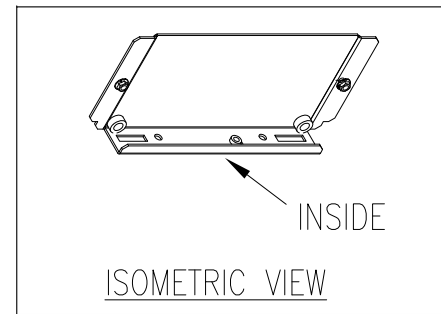
LEFT SIDE VIEW



TOP VIEW



BOTTOM VIEW



NOTES:

1. COMPLY WITH ALL APPLICABLE NATIONAL AND LOCAL ELECTRICAL REGULATIONS.
2. REFER TO PRODUCT DOCUMENTATION FOR ADDITIONAL DETAILS PRIOR TO INSTALLATION AND SITE PREPARATION WORK.
3. ALL DIMENSIONS ARE IN MILLIMETERS [INCHES].

THIS DRAWING AND SPECIFICATIONS HEREIN ARE THE PROPERTY OF SCHNEIDER ELECTRIC AND SHALL NOT BE COPIED, REPRODUCED OR USED IN WHOLE OR IN PART, AS THE BASIS FOR THE MANUFACTURE OR SALE OF ITEMS WITHOUT WRITTEN PERMISSION FROM SCHNEIDER ELECTRIC. THIS DRAWING IS BASED UPON LATEST AVAILABLE INFORMATION AND IS SUBJECT TO CHANGE WITHOUT NOTICE.

**Schneider**  
**Electric**

TITLE:  
Eco-Aisle (TM) Aisle Containment System  
DEPTH ADAPTER (SX42U) - 300mm  
PANEL TO/BOTTOM

PROJECT: SUBMITTAL DRAWINGS SHEET 3 OF 3

DWG NO:	ACDC2550	REV.	0
DRAWN BY:	K.NAGENDRA	11-JUN-13	FIRST
ENGINEER:	JASON LI/MARK MENG	11-JUN-13	ANGLE
APPROVED BY:	AARON GRAFF	11-JUN-13	PROJ