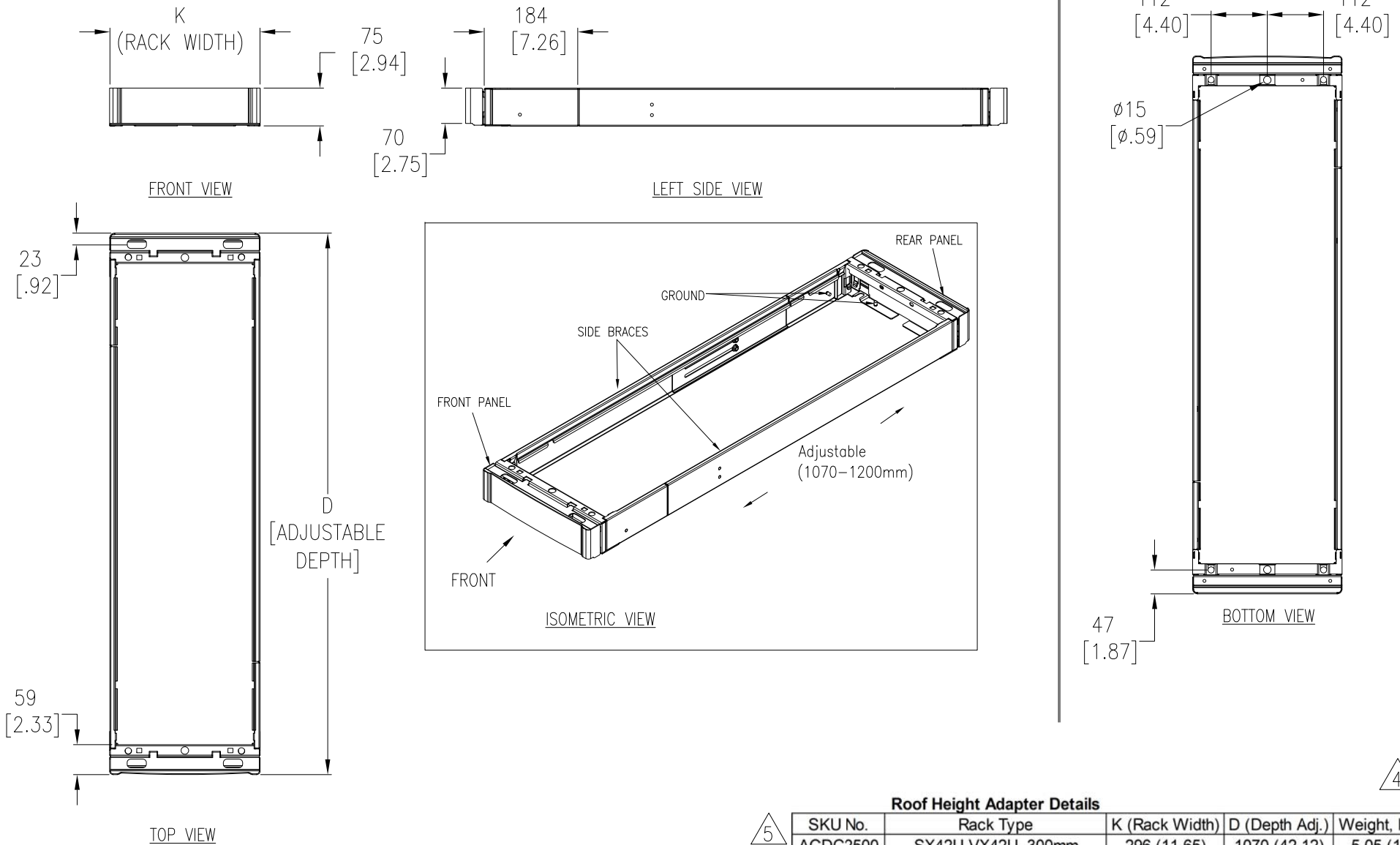


TYPICAL ARRANGEMENT- ROOF HEIGHT ADAPTER (SX-VX)

ACDC2500-2503



NOTES:

1. COMPLY WITH ALL APPLICABLE NATIONAL AND LOCAL ELECTRICAL REGULATIONS.
2. REFER TO PRODUCT DOCUMENTATION FOR ADDITIONAL DETAILS PRIOR TO INSTALLATION AND SITE PREPARATION WORK.
3. ALL DIMENSIONS ARE IN MILLIMETERS [INCHES].
4. NET WEIGHT OF UNIT-REFER TO TABLE
5. TYPICAL ARRANGEMENT SHOWN FOR ROOF HEIGHT ADAPTER (SX-VX)-300mm(11.81in) CONFIGURATION.

5

Roof Height Adapter Details

SKU No.	Rack Type	K (Rack Width)	D (Depth Adj.)	Weight, kg (lbs)
ACDC2500	SX42U-VX42U, 300mm	296 (11.65)	1070 (42.12)	5.05 (11.11)
ACDC2501	SX42U-VX42U, 600mm	596 (23.46)	ADJUSTABLE	6.94 (15.27)
ACDC2502	SX42U-VX42U, 700mm	696 (27.40)	TO	8.19 (18.02)
ACDC2503	SX42U-VX42U, 750mm	746 (29.37)	1200 (47.24)	8.45 (18.59)

4

THIS DRAWING AND SPECIFICATIONS HEREIN ARE THE PROPERTY OF SCHNEIDER ELECTRIC AND SHALL NOT BE COPIED, REPRODUCED OR USED IN WHOLE OR IN PART, AS THE BASIS FOR THE MANUFACTURE OR SALE OF ITEMS WITHOUT WRITTEN PERMISSION FROM SCHNEIDER ELECTRIC. THIS DRAWING IS BASED UPON LATEST AVAILABLE INFORMATION AND IS SUBJECT TO CHANGE WITHOUT NOTICE.



TITLE:
Eco-Aisle (TM) Aisle Containment System
ROOF HEIGHT ADAPTER (SX-VX)
ASSEMBLY ACDC2500-2503

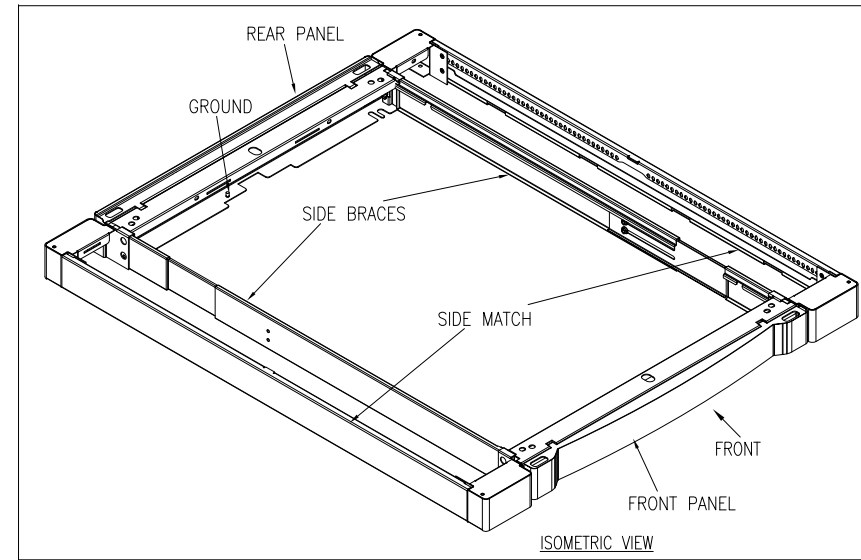
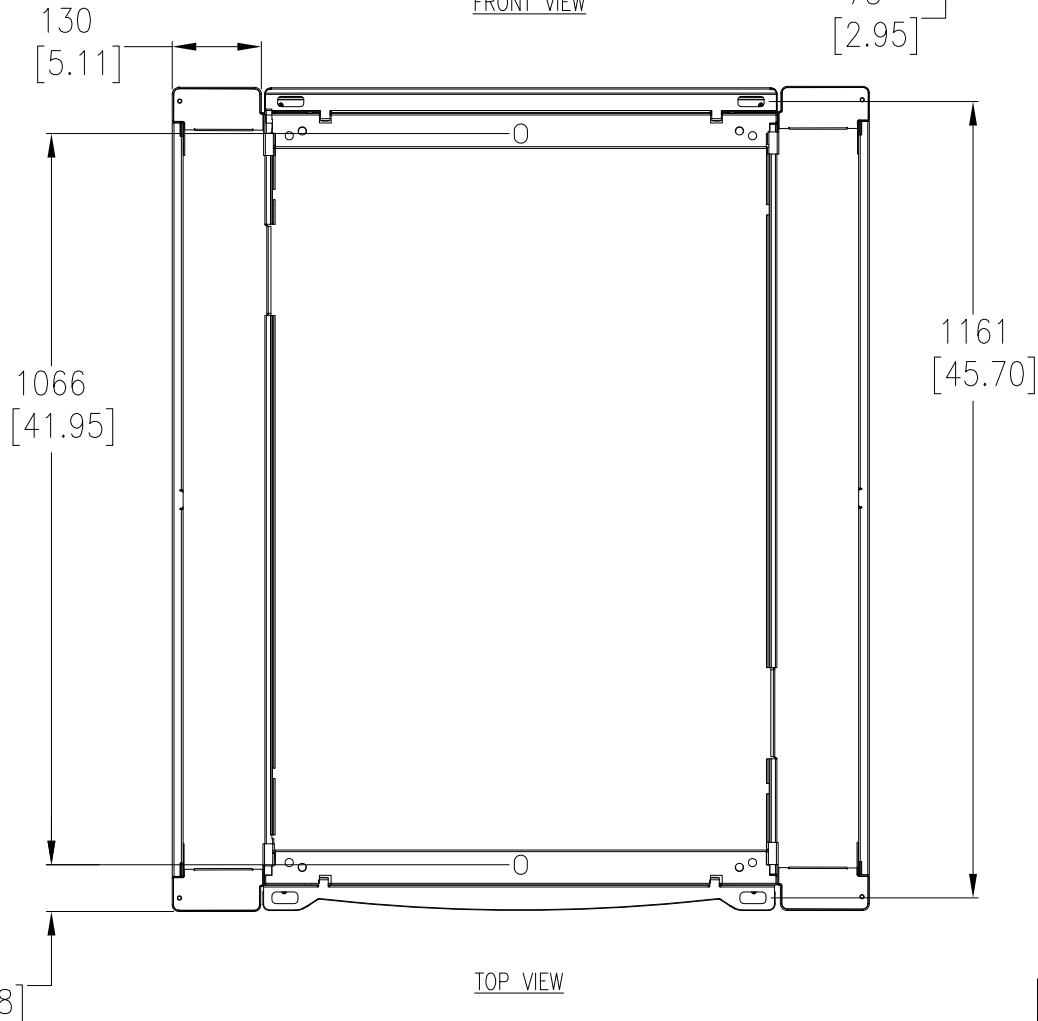
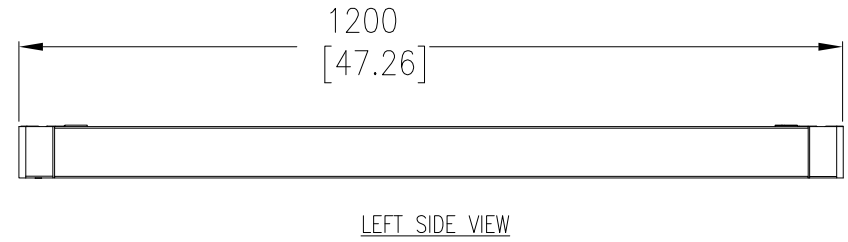
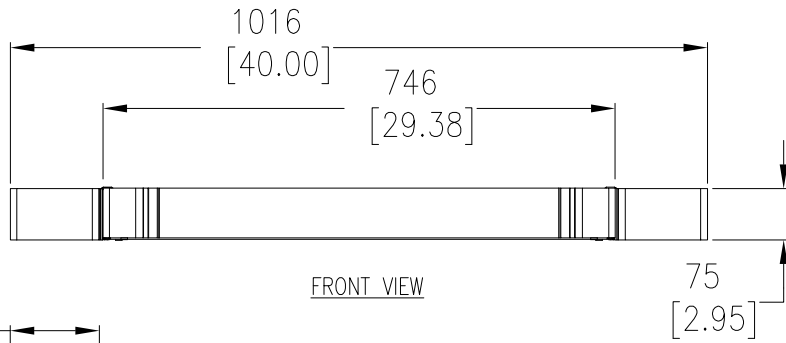
PROJECT: SUBMITTAL DRAWINGS SHEET 1 OF 8

DWG NO: ACDC2500-2504 REV. 0

DRAWN BY: K.NAGENDRA	04-JUN-13	FIRST
ENGINEER: RUSTIN SHI/MARK MENG	04-JUN-13	ANGLE
APPROVED BY: AARON GRAFF	04-JUN-13	PROJ

TYPICAL ARRANGEMENT- ROOF HEIGHT ADAPTER (SX-VX)

ACDC2504



Roof Height Adapter Details

SKU No.	Rack Type	K (Rack Width)	D (Depth Adj.)	Weight, kg (lbs)
ACDC2504	SX42U-VX42U, 1016mm	1014 (39.92)	1200 (47.24)	14.85 (32.67)

NOTES:

1. COMPLY WITH ALL APPLICABLE NATIONAL AND LOCAL ELECTRICAL REGULATIONS.
2. REFER TO PRODUCT DOCUMENTATION FOR ADDITIONAL DETAILS PRIOR TO INSTALLATION AND SITE PREPARATION WORK.
3. ALL DIMENSIONS ARE IN MILLIMETERS [INCHES].

THIS DRAWING AND SPECIFICATIONS HEREIN ARE THE PROPERTY OF SCHNEIDER ELECTRIC AND SHALL NOT BE COPIED, REPRODUCED OR USED IN WHOLE OR IN PART, AS THE BASIS FOR THE MANUFACTURE OR SALE OF ITEMS WITHOUT WRITTEN PERMISSION FROM SCHNEIDER ELECTRIC. THIS DRAWING IS BASED UPON LATEST AVAILABLE INFORMATION AND IS SUBJECT TO CHANGE WITHOUT NOTICE.



TITLE:
Eco-Aisle (TM) Aisle Containment System
ROOF HEIGHT ADAPTER (SX-VX)
ASSEMBLY ACDC2504

DWG NO: ACDC2500-2504

DRAWN BY: K.NAGENDRA 04-JUN-13

ENGINEER: JUSTIN SHI/MARK MENG 04-JUN-13

APPROVED BY: AARON GRAFF 04-JUN-13

REV: 0

FIRST

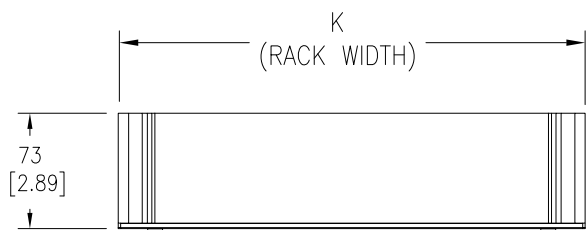
ANGLE

PROJ

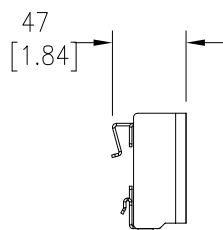
PROJECT: SUBMITTAL DRAWINGS SHEET 2 OF 8

ACDC2500-2503

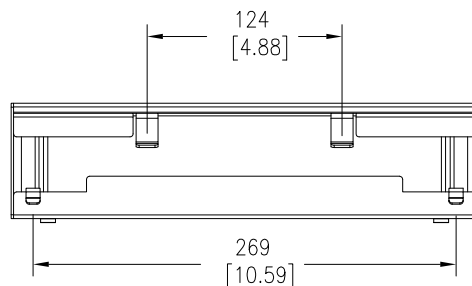
ADAPTER FRONT PANEL



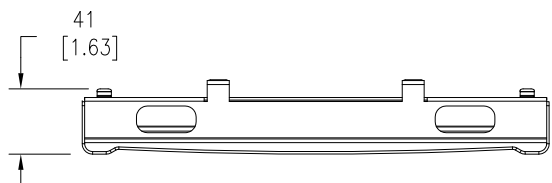
FRONT VIEW



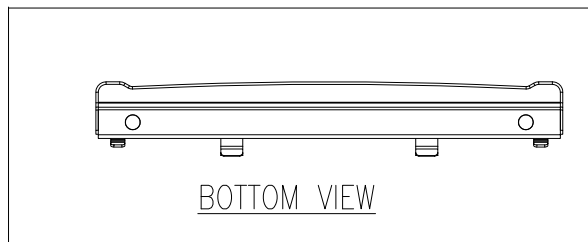
LEFT SIDE VIEW



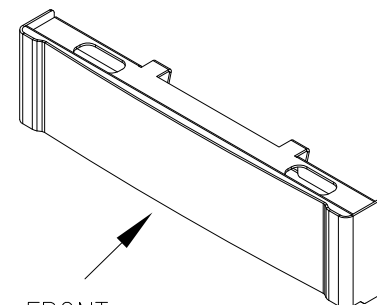
REAR VIEW



TOP VIEW



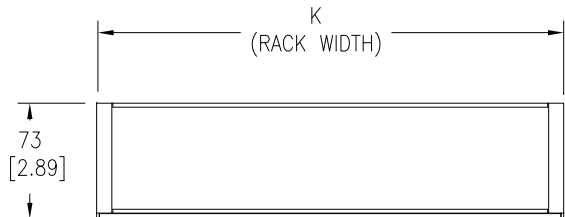
BOTTOM VIEW



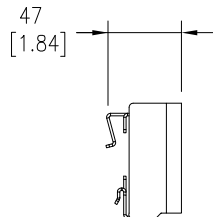
FRONT

ISOMETRIC VIEW

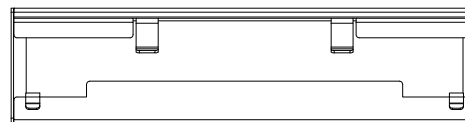
ADAPTER REAR PANEL



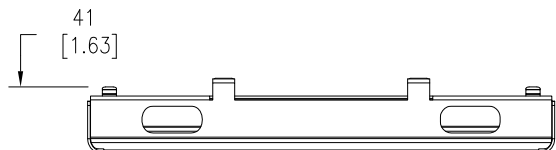
FRONT VIEW



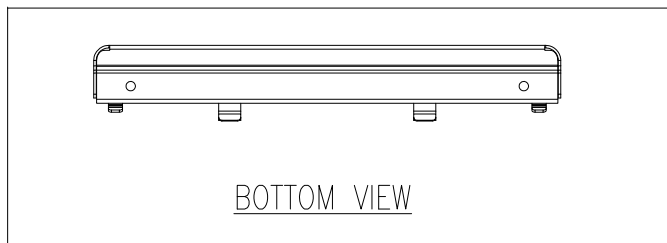
LEFT SIDE VIEW



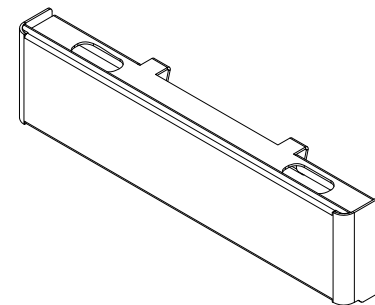
REAR VIEW



TOP VIEW



BOTTOM VIEW



ISOMETRIC VIEW

NOTES:

1. COMPLY WITH ALL APPLICABLE NATIONAL AND LOCAL ELECTRICAL REGULATIONS.
2. REFER TO PRODUCT DOCUMENTATION FOR ADDITIONAL DETAILS PRIOR TO INSTALLATION AND SITE PREPARATION WORK.
3. ALL DIMENSIONS ARE IN MILLIMETERS [INCHES].

THIS DRAWING AND SPECIFICATIONS HEREIN ARE THE PROPERTY OF SCHNEIDER ELECTRIC AND SHALL NOT BE COPIED, REPRODUCED OR USED IN WHOLE OR IN PART, AS THE BASIS FOR THE MANUFACTURE OR SALE OF ITEMS WITHOUT WRITTEN PERMISSION FROM SCHNEIDER ELECTRIC. THIS DRAWING IS BASED UPON LATEST AVAILABLE INFORMATION AND IS SUBJECT TO CHANGE WITHOUT NOTICE.



TITLE:
Eco-Aisle (TM) Aisle Containment System
ROOF HEIGHT ADAPTER (SX-VX)
FRONT PANEL ACDC2500-2503

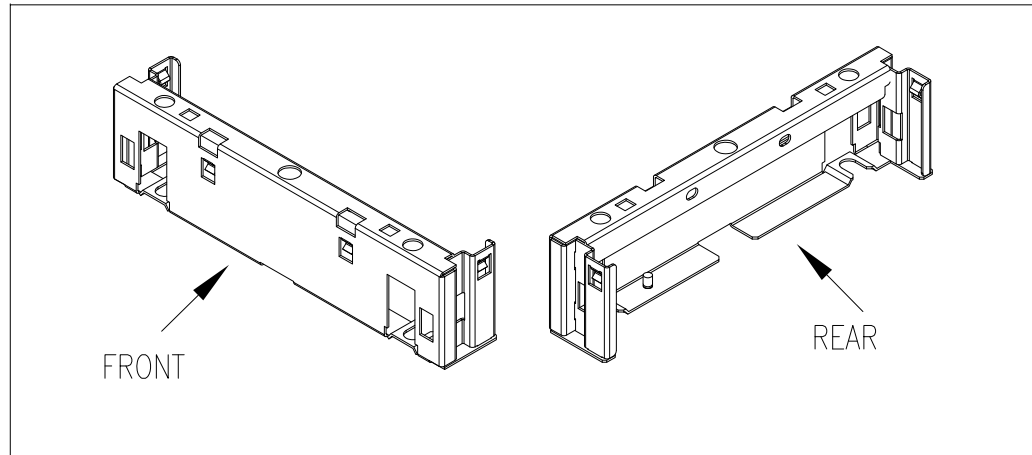
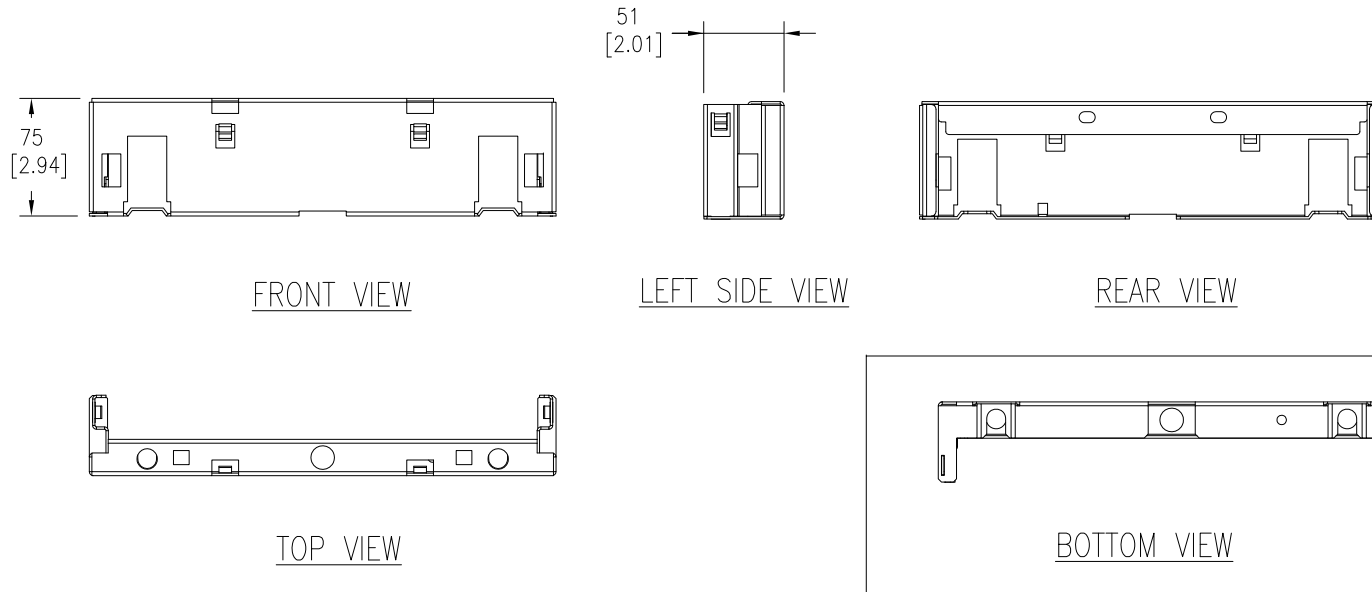
PROJECT: SUBMITTAL DRAWINGS SHEET 3 OF 8

DWG NO:	ACDC2500-2504	REV:	0
DRAWN BY:	K.NAGENDRA	04-JUN-13	FIRST
ENGINEER:	RUSTIN SHI/MARK MENG	04-JUN-13	ANGLE
APPROVED BY:	AARON GRAFF	04-JUN-13	PROJ

CROSS BRACE (FRONT OR REAR PANEL)

QTY.- 2 PER PANEL

ACDC2500-2503



NOTES:

1. COMPLY WITH ALL APPLICABLE NATIONAL AND LOCAL ELECTRICAL REGULATIONS.
2. REFER TO PRODUCT DOCUMENTATION FOR ADDITIONAL DETAILS PRIOR TO INSTALLATION AND SITE PREPARATION WORK.
3. ALL DIMENSIONS ARE IN MILLIMETERS [INCHES].

THIS DRAWING AND SPECIFICATIONS HEREIN ARE THE PROPERTY OF SCHNEIDER ELECTRIC AND SHALL NOT BE COPIED, REPRODUCED OR USED IN WHOLE OR IN PART, AS THE BASIS FOR THE MANUFACTURE OR SALE OF ITEMS WITHOUT WRITTEN PERMISSION FROM SCHNEIDER ELECTRIC. THIS DRAWING IS BASED UPON LATEST AVAILABLE INFORMATION AND IS SUBJECT TO CHANGE WITHOUT NOTICE.



TITLE:
Eco-Aisle (TM) Aisle Containment System
ROOF HEIGHT ADAPTER (SX-VX)
CROSS BRACE ACDC2500-2503

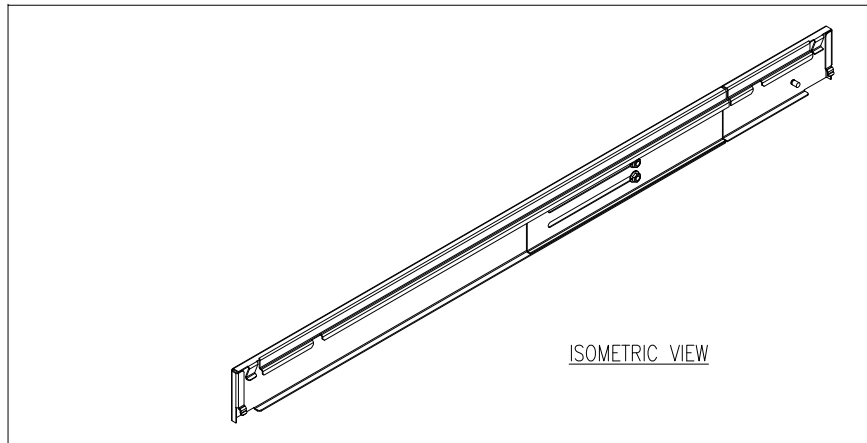
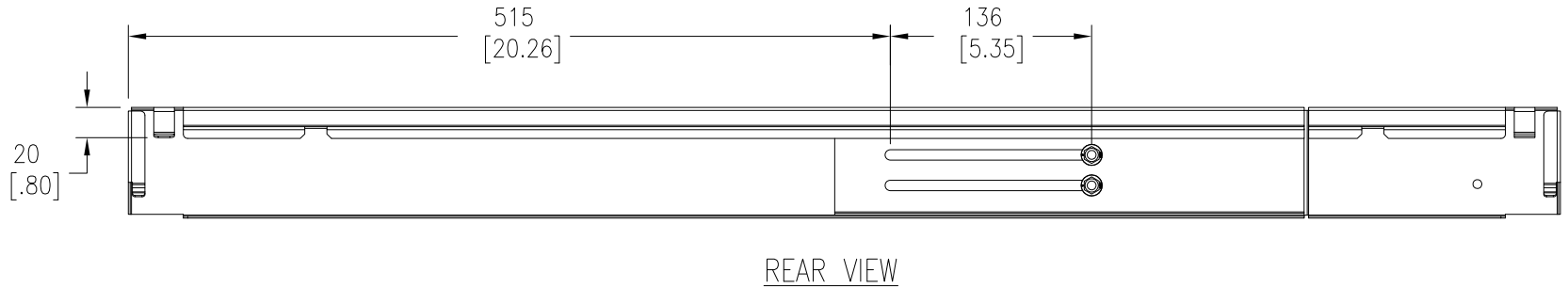
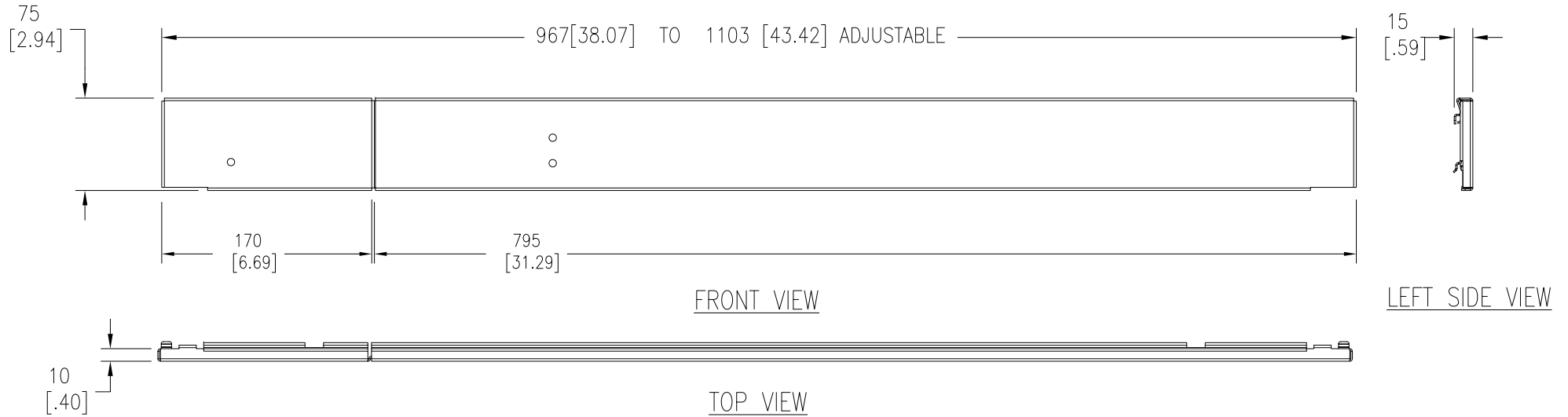
PROJECT: SUBMITTAL DRAWINGS | SHEET 4 OF 8

DWG NO:	ACDC2500-2504	REV:	0
DRAWN BY:	K.NAGENDRA	04-JUN-13	FIRST
ENGINEER:	RUSTIN SHI/MARK MENG	04-JUN-13	ANGLE
APPROVED BY:	AARON GRAFF	04-JUN-13	PROJ

SIDE BRACE (LEFT & RIGHT)

ACDC2500-2503

QTY.- 2 PER PANEL



NOTES:

1. COMPLY WITH ALL APPLICABLE NATIONAL AND LOCAL ELECTRICAL REGULATIONS.
2. REFER TO PRODUCT DOCUMENTATION FOR ADDITIONAL DETAILS PRIOR TO INSTALLATION AND SITE PREPARATION WORK.
3. ALL DIMENSIONS ARE IN MILLIMETERS [INCHES].

THIS DRAWING AND SPECIFICATIONS HEREIN ARE THE PROPERTY OF SCHNEIDER ELECTRIC AND SHALL NOT BE COPIED, REPRODUCED OR USED IN WHOLE OR IN PART, AS THE BASIS FOR THE MANUFACTURE OR SALE OF ITEMS WITHOUT WRITTEN PERMISSION FROM SCHNEIDER ELECTRIC. THIS DRAWING IS BASED UPON LATEST AVAILABLE INFORMATION AND IS SUBJECT TO CHANGE WITHOUT NOTICE.



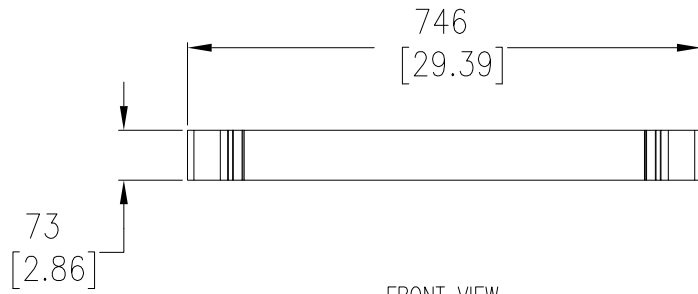
TITLE:
Eco-Aisle (TM) Aisle Containment System
ROOF HEIGHT ADAPTER (SX-VX)
SIDE BRACE ACDC2500-2504

PROJECT: SUBMITTAL DRAWINGS SHEET 5 OF 8

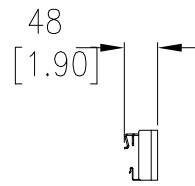
DWG NO:	ACDC2500-2504	REV.	0
DRAWN BY:	K.NAGENDRA	04-JUN-13	FIRST
ENGINEER:	RUSTIN SHI/MARK MENG	04-JUN-13	ANGLE
APPROVED BY:	AARON GRAFF	04-JUN-13	PROJ

ADAPTER FRONT PANEL

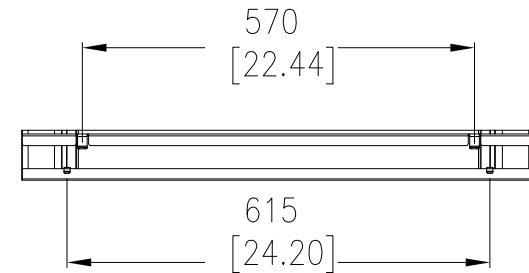
ACDC2504



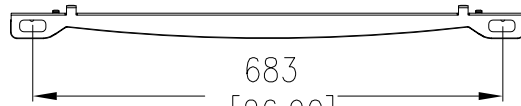
FRONT VIEW



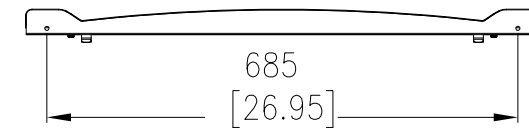
LEFT SIDE VIEW



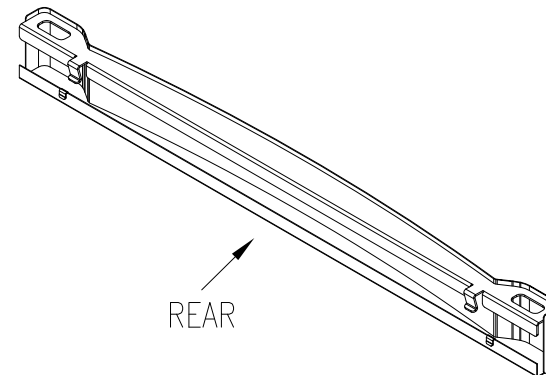
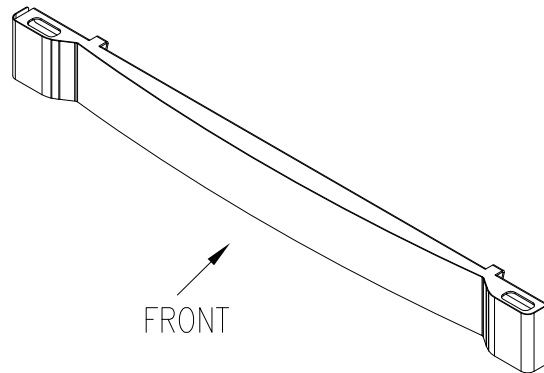
REAR VIEW



TOP VIEW



BOTTOM VIEW



ISOMETRIC VIEW

NOTES:

1. COMPLY WITH ALL APPLICABLE NATIONAL AND LOCAL ELECTRICAL REGULATIONS.
2. REFER TO PRODUCT DOCUMENTATION FOR ADDITIONAL DETAILS PRIOR TO INSTALLATION AND SITE PREPARATION WORK.
3. ALL DIMENSIONS ARE IN MILLIMETERS [INCHES].

THIS DRAWING AND SPECIFICATIONS HEREIN ARE THE PROPERTY OF SCHNEIDER ELECTRIC AND SHALL NOT BE COPIED, REPRODUCED OR USED IN WHOLE OR IN PART, AS THE BASIS FOR THE MANUFACTURE OR SALE OF ITEMS WITHOUT WRITTEN PERMISSION FROM SCHNEIDER ELECTRIC. THIS DRAWING IS BASED UPON LATEST AVAILABLE INFORMATION AND IS SUBJECT TO CHANGE WITHOUT NOTICE.



TITLE:
Eco-Aisle (TM) Aisle Containment System
ROOF HEIGHT ADAPTER (SX-VX)
FRONT PANEL ACDC2504

PROJECT: SUBMITTAL DRAWINGS SHEET 6 OF 8

DWG NO: ACDC2500-2504

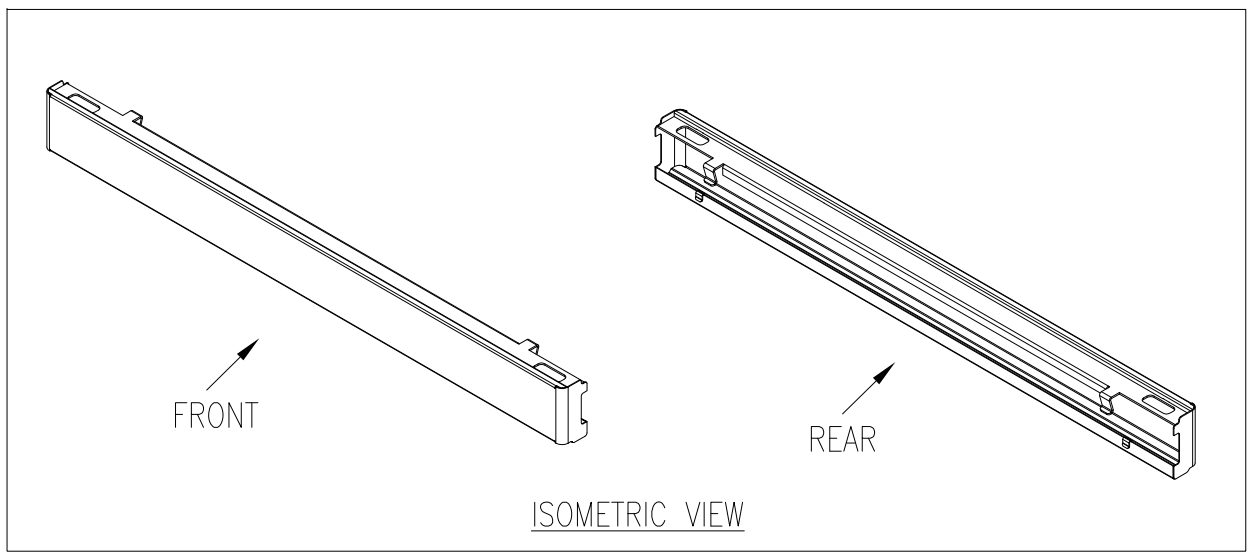
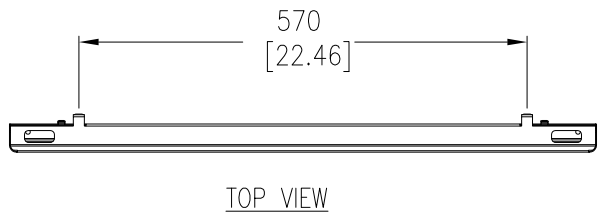
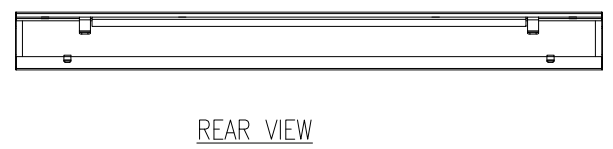
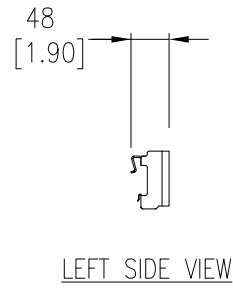
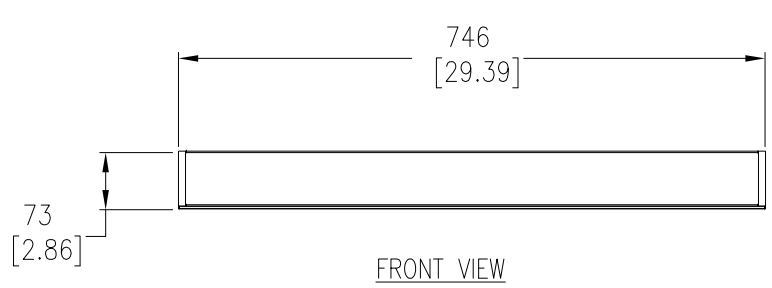
DRAWN BY: K.NAGENDRA	04-JUN-13
ENGINEER: RUSTIN SHI/MARK MENG	04-JUN-13
APPROVED BY: AARON GRAFF	04-JUN-13

REV. 0

FIRST
ANGLE
PROJ

REAR PANEL

ACDC2504



NOTES:

1. COMPLY WITH ALL APPLICABLE NATIONAL AND LOCAL ELECTRICAL REGULATIONS.
2. REFER TO PRODUCT DOCUMENTATION FOR ADDITIONAL DETAILS PRIOR TO INSTALLATION AND SITE PREPARATION WORK.
3. ALL DIMENSIONS ARE IN MILLIMETERS [INCHES].

THIS DRAWING AND SPECIFICATIONS HEREIN ARE THE PROPERTY OF SCHNEIDER ELECTRIC AND SHALL NOT BE COPIED, REPRODUCED OR USED IN WHOLE OR IN PART, AS THE BASIS FOR THE MANUFACTURE OR SALE OF ITEMS WITHOUT WRITTEN PERMISSION FROM SCHNEIDER ELECTRIC. THIS DRAWING IS BASED UPON LATEST AVAILABLE INFORMATION AND IS SUBJECT TO CHANGE WITHOUT NOTICE.



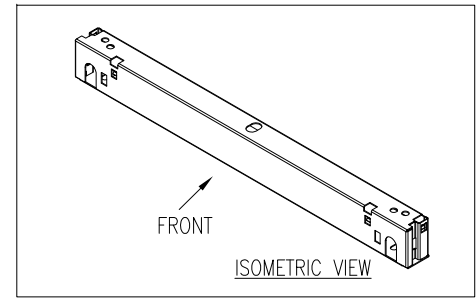
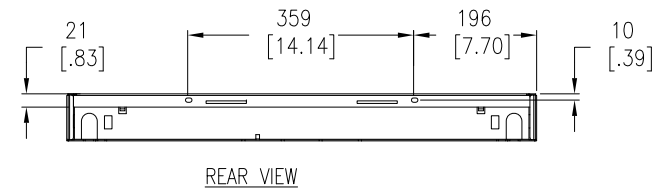
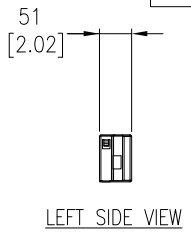
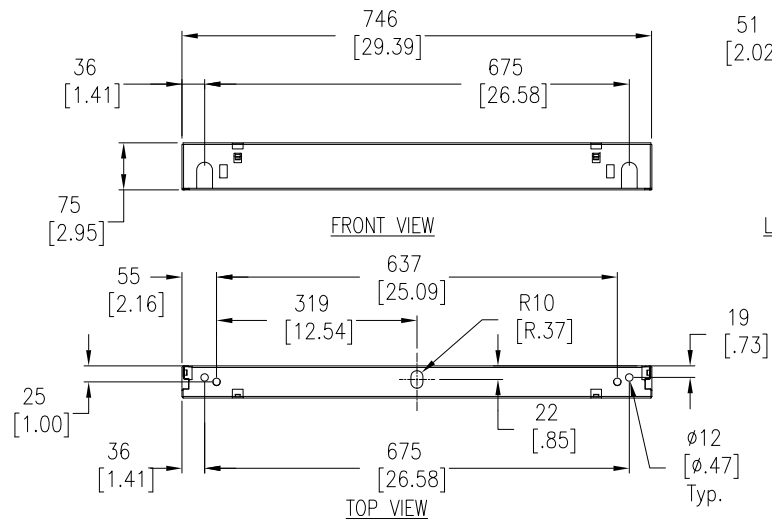
TITLE:
Eco-Aisle (TM) Aisle Containment System
ROOF HEIGHT ADAPTER (SX-VX)
REAR PANEL ACDC2504

PROJECT: SUBMITTAL DRAWINGS | SHEET 7 OF 8

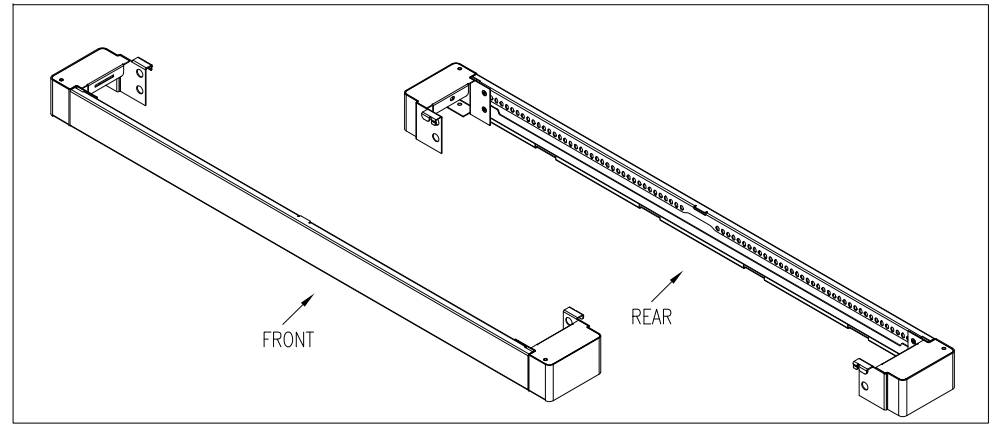
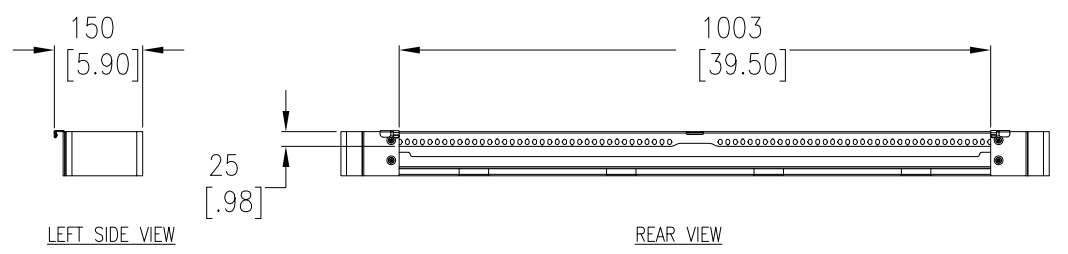
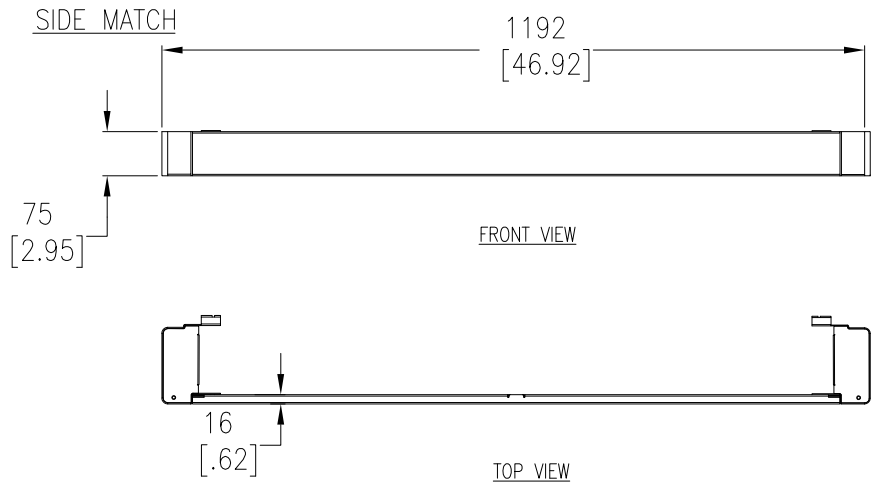
DWG NO:	ACDC2500-2504	REV:	0
DRAWN BY:	K.NAGENDRA	04-JUN-13	FIRST ANGLE
ENGINEER:	BUSTIN SHI/MARK MENG	04-JUN-13	PROJ
APPROVED BY:	AARON GRAFF	04-JUN-13	

CROSS BRACE

ACDC2504



SIDE MATCH



NOTES:

1. COMPLY WITH ALL APPLICABLE NATIONAL AND LOCAL ELECTRICAL REGULATIONS.
2. REFER TO PRODUCT DOCUMENTATION FOR ADDITIONAL DETAILS PRIOR TO INSTALLATION AND SITE PREPARATION WORK.
3. ALL DIMENSIONS ARE IN MILLIMETERS [INCHES].

THIS DRAWING AND SPECIFICATIONS HEREIN ARE THE PROPERTY OF SCHNEIDER ELECTRIC AND SHALL NOT BE COPIED, REPRODUCED OR USED IN WHOLE OR IN PART, AS THE BASIS FOR THE MANUFACTURE OR SALE OF ITEMS WITHOUT WRITTEN PERMISSION FROM SCHNEIDER ELECTRIC. THIS DRAWING IS BASED UPON LATEST AVAILABLE INFORMATION AND IS SUBJECT TO CHANGE WITHOUT NOTICE.



TITLE:
Eco-Aisle (TM) Aisle Containment System
ROOF HEIGHT ADAPTER (SX-VX)
CROSS BRACE & SIDE MATCH ACDC2504

PROJECT: SUBMITTAL DRAWINGS SHEET 8 OF 8

DWG NO: ACDC2500-2504

DRAWN BY: K.NAGENDRA 04-JUN-13
ENGINEER: RUSTIN SHI/MARK MENG 04-JUN-13
APPROVED BY: AARON GRAFF 04-JUN-13

REV. 0
FIRST ANGLE PROJ