

**NOTES:**

1. INSTALLATION SHALL COMPLY WITH ALL APPLICABLE NATIONAL, STATE AND LOCAL CODES.
2. REFER TO APC PRODUCT MANUALS FOR DETAILS.
3. ALL DIMENSIONS ARE IN INCHES [MILLIMETERS].
- △ 4. FRONT AND REAR ACCESS ARE REQUIRED FOR SERVICE.  
MINIMUM RECOMMENDED FRONT CLEARANCE IS 40 [1000]  
AND REAR CLEARANCE IS 36 [900], BUT INSTALLATION SHALL COMPLY WITH ALL APPLICABLE NATIONAL, STATE AND LOCAL ELECTRICAL CODES.
5. TWO OPTIONS ARE AVAILABLE FOR AC INPUT POWER CABLE ROUTING:  
I) TOP ENTRY. REFER TO SHEET-2 FOR ACCESS DETAILS.  
II) BOTTOM ENTRY USING A SIDE CAR, PDPM100SC.  
REFER TO SHEET-4 FOR ACCESS DETAILS.  
SIDE CAR IS A SEPARATE SKU NOT SHOWN IN THIS DRAWING.
6. WEIGHT OF THE UNIT IS 900 lbs [409 kg].
- △ 7. MAXIMUM HEIGHT OF THE UNIT INCLUDES TOP PROTRUSIONS AND

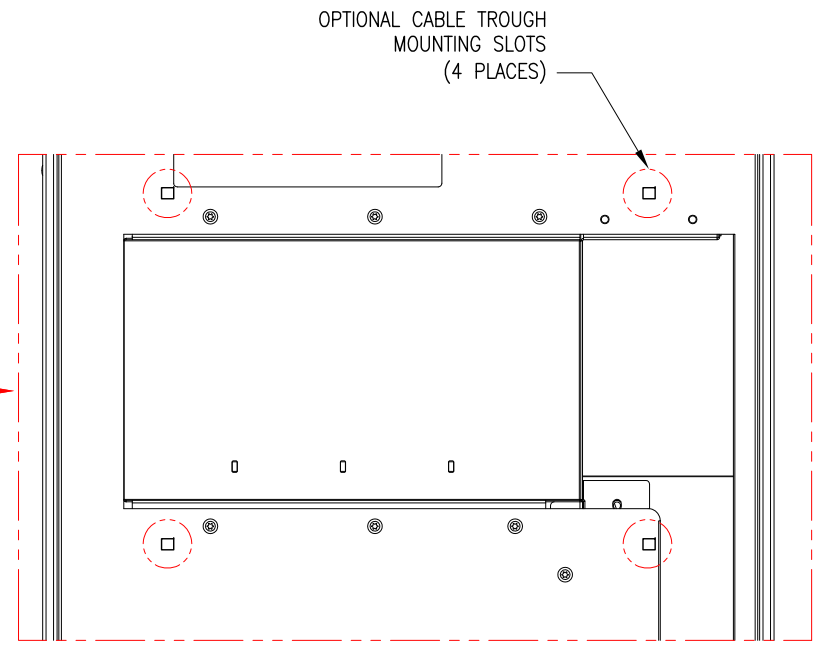
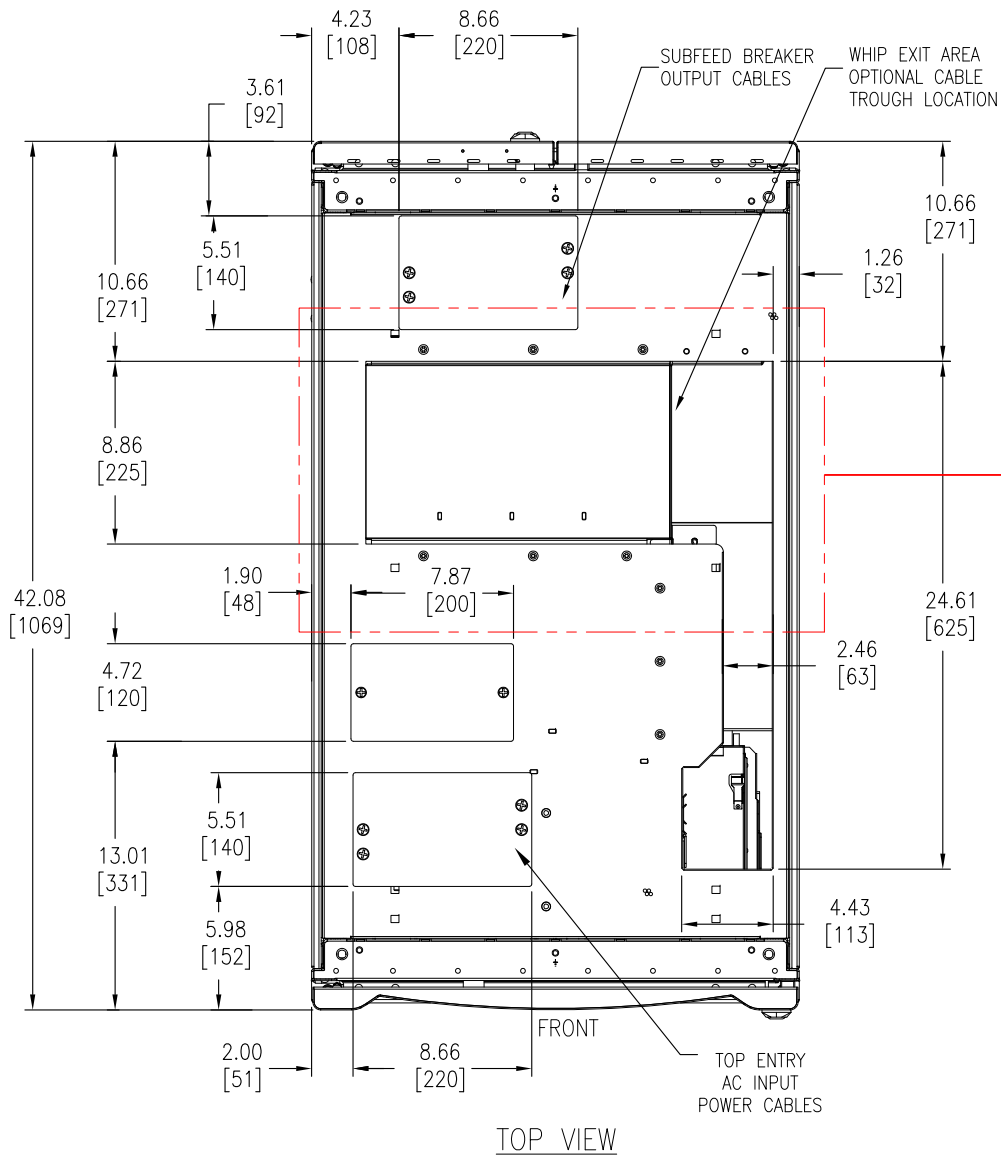
THIS DRAWING AND SPECIFICATIONS HEREIN ARE THE PROPERTY OF SCHNEIDER ELECTRIC AND SHALL NOT BE COPIED, REPRODUCED OR USED IN WHOLE OR IN PART, AS THE BASIS FOR THE MANUFACTURE OR SALE OF ITEMS WITHOUT WRITTEN PERMISSION FROM SCHNEIDER ELECTRIC. THIS DRAWING IS BASED UPON LATEST AVAILABLE INFORMATION. FASTENERS TO CHANGE WITHOUT NOTICE.

**Schneider Electric**

TITLE: InfraStruXure  
MODULAR PDU, Without XFMR  
INPUT: 208V, 3PH  
OUTPUT: 208V, 3PH, 72-POLES, 1-SUBFEED  
MAIN MECHANICAL

PROJECT: SUBMITTAL DRAWINGS SHEET 1 OF 6

DWG NO:	PDPM100F-M	REV.	0
DRAWN BY:	K.NAGENDRA	31-JAN-11	THIRD ANGLE PROJECTION
ENGINEER:	F.S/K.S/C.F.P/J.S	01-FEB-11	
APPROVED BY:	B.SHERIDAN/J.LAUFFER	01-FEB-11	



**NOTES:**

1. INSTALLATION SHALL COMPLY WITH ALL APPLICABLE NATIONAL, STATE AND LOCAL CODES.
2. REFER TO PRODUCT MANUALS FOR ADDITIONAL DETAILS.
3. ALL DIMENSIONS ARE IN INCHES [MILLIMETERS].

THIS DRAWING AND SPECIFICATIONS HEREIN ARE THE PROPERTY OF SCHNEIDER ELECTRIC AND SHALL NOT BE COPIED, REPRODUCED OR USED IN WHOLE OR IN PART, AS THE BASIS FOR THE MANUFACTURE OR SALE OF ITEMS WITHOUT WRITTEN PERMISSION FROM SCHNEIDER ELECTRIC. THIS DRAWING IS BASED UPON LATEST AVAILABLE INFORMATION AND IS SUBJECT TO CHANGE WITHOUT NOTICE.



TITLE: InfraStruXure  
MODULAR PDU, Without XFMR  
INPUT: 208V, 3PH  
OUTPUT: 208V, 3PH, 72-POLES, 1-SUBFEED  
TOP VIEW

DWG NO: PDPM100F-M

REV. 0

DRAWN BY: K.NAGENDRA 31-JAN-11

THIRD

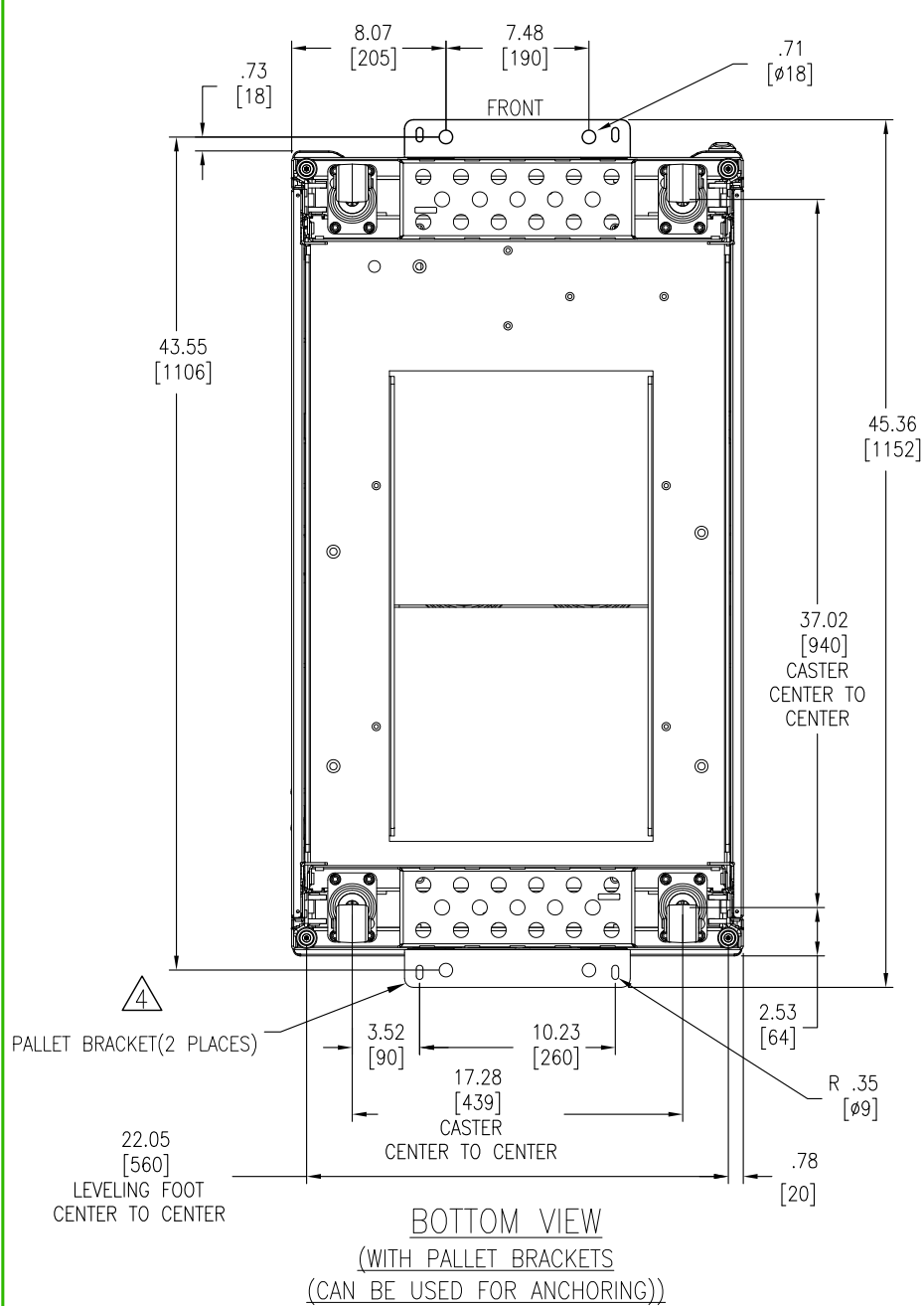
ENGINEER: F.S/K.S/C.F.P/J.S 01-FEB-11

ANGLE

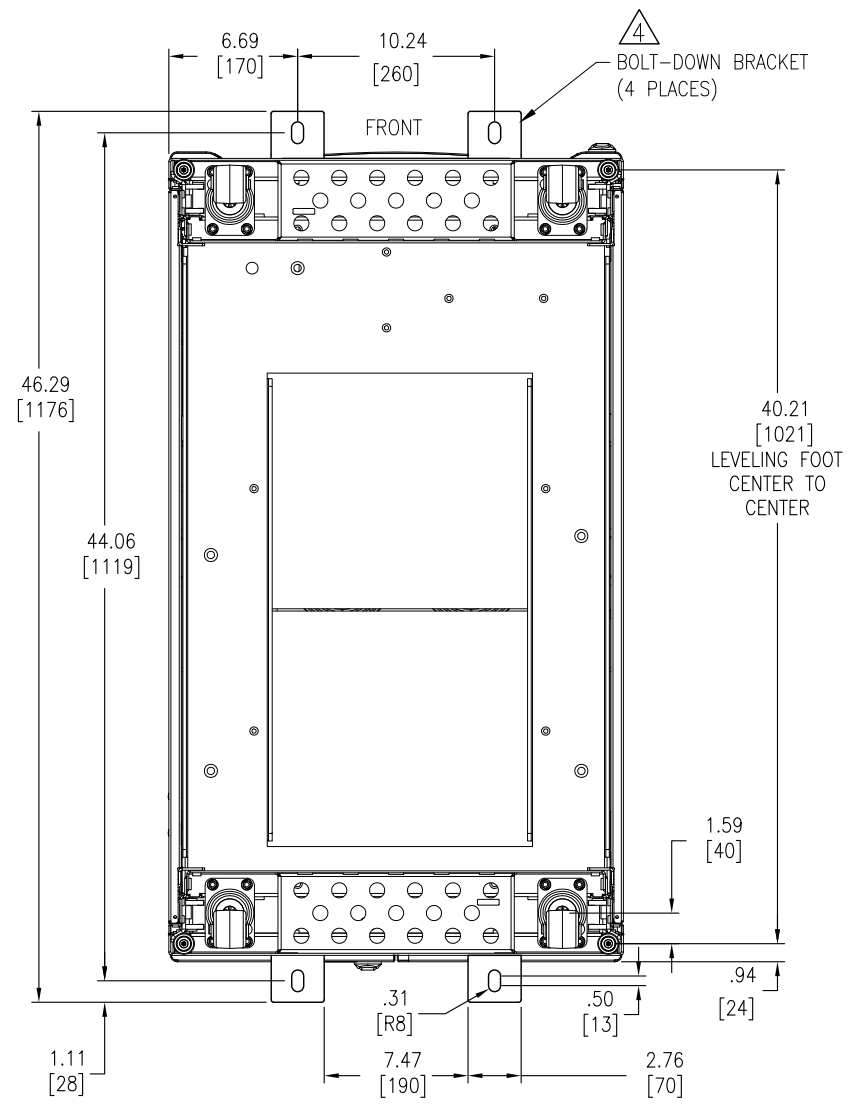
PROJECT: SUBMITTAL DRAWINGS SHEET 2 OF 6

APPROVED BY: B.SHERIDAN/J.LAUFFER 01-FEB-11

PROJECTION



**BOTTOM VIEW**  
 (WITH PALLET BRACKETS  
 (CAN BE USED FOR ANCHORING))



**BOTTOM VIEW**  
 (WITH OPTIONAL BOLT-DOWN KIT  
 FOR ANCHORING)

- NOTES:**
1. INSTALLATION SHALL COMPLY WITH ALL APPLICABLE NATIONAL, STATE AND LOCAL CODES.
  2. REFER TO PRODUCT MANUALS FOR ADDITIONAL DETAILS.
  3. ALL DIMENSIONS ARE IN INCHES [MILLIMETERS].
  4. ANCHORING BRACKETS CAN BE INSTALLED AT FRONT AND BACK OF UNIT.  
 ADEQUATE FRONT AND REAR CLEARANCE SHOULD BE PROVIDED IF THE UNIT IS TO BE ANCHORED. FOR RECOMMENDED CLEARANCE SEE NOTE 4 ON SHEET-1. USE CODE COMPLIANT FASTENERS TO SECURE UNIT TO THE FLOOR. BOLT DOWN KIT (SKU # AR7701) IS OPTIONAL AND HAS TO BE ORDERED SEPARATELY

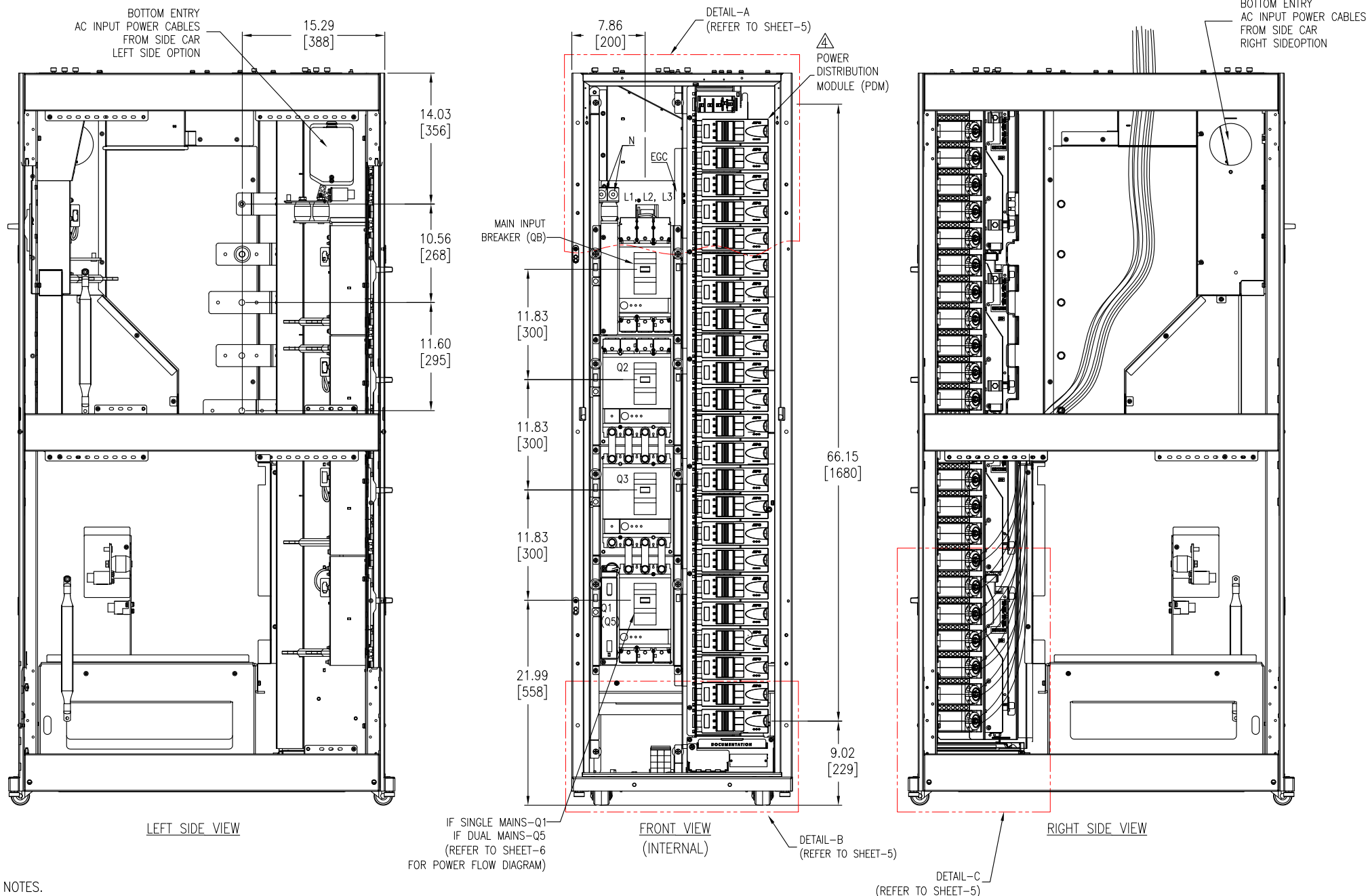
THIS DRAWING AND SPECIFICATIONS HEREIN ARE THE PROPERTY OF SCHNEIDER ELECTRIC AND SHALL NOT BE COPIED, REPRODUCED OR USED IN WHOLE OR IN PART, AS THE BASIS FOR THE MANUFACTURE OR SALE OF ITEMS WITHOUT WRITTEN PERMISSION FROM SCHNEIDER ELECTRIC. THIS DRAWING IS BASED UPON LATEST AVAILABLE INFORMATION AND IS SUBJECT TO CHANGE WITHOUT NOTICE.



TITLE: InfraStruXure  
 MODULAR PDU, Without XFMR  
 INPUT: 208V, 3PH  
 OUTPUT: 208V, 3PH, 72-POLES, 1-SUBFEED  
 BOTTOM VIEW  
 PROJECT: SUBMITTAL DRAWINGS SHEET 3 OF 6

DWG NO: PDPM100F-M  
 DRAWN BY: K.NAGENDRA 31-JAN-11  
 ENGINEER: F.S/K.S/C.F.P/J.S 01-FEB-11  
 APPROVED BY: B.SHERIDAN/J.LAUFFER 01-FEB-11

REV. 0  
 THIRD ANGLE PROJECTION



**NOTES.**

1. INSTALLATION SHALL COMPLY WITH ALL APPLICABLE NATIONAL, STATE AND LOCAL CODES.
2. REFER TO PRODUCT MANUALS FOR ADDITIONAL DETAILS.
3. ALL DIMENSIONS ARE IN INCHES [MILLIMETERS].
4. ALL POWER DISTRIBUTION MODULES AND EXTENDER CABLES ARE NOT PART OF THIS SKU AND ARE ORDERED SEPARATELY. PLEASE CONTACT APC.

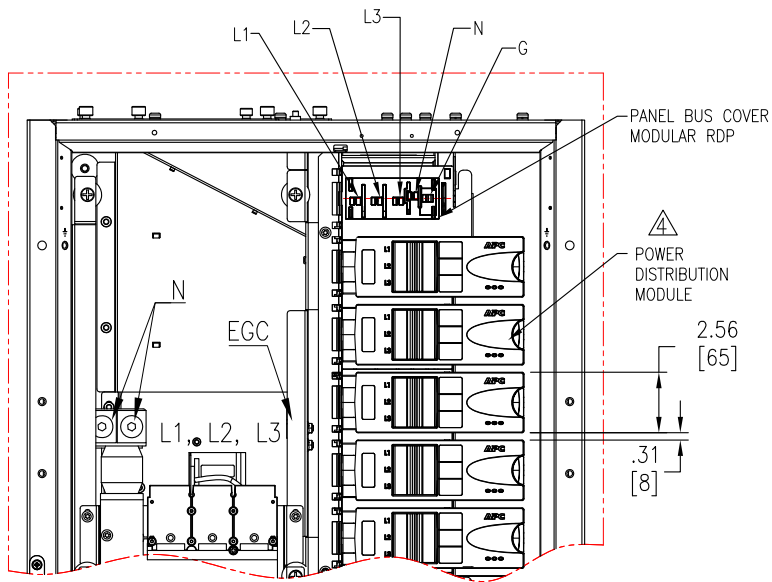
THIS DRAWING AND SPECIFICATIONS HEREIN ARE THE PROPERTY OF SCHNEIDER ELECTRIC AND SHALL NOT BE COPIED, REPRODUCED OR USED IN WHOLE OR IN PART, AS THE BASIS FOR THE MANUFACTURE OR SALE OF ITEMS WITHOUT WRITTEN PERMISSION FROM SCHNEIDER ELECTRIC. THIS DRAWING IS BASED UPON LATEST AVAILABLE INFORMATION AND IS SUBJECT TO CHANGE WITHOUT NOTICE.



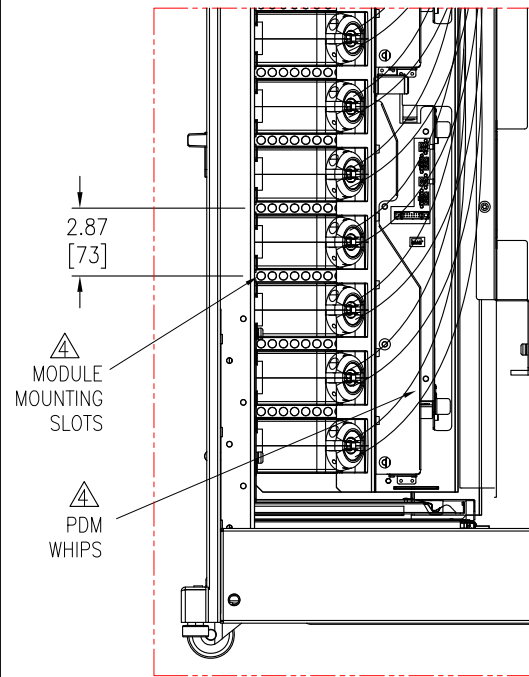
TITLE: InfraStruXure  
 MODULAR PDU, Without XFMR  
 INPUT: 208V, 3PH  
 OUTPUT: 208V, 3PH, 72-POLES, 1-SUBFEED  
 INTERNAL VIEW

PROJECT: SUBMITTAL DRAWINGS SHEET 4 OF 6

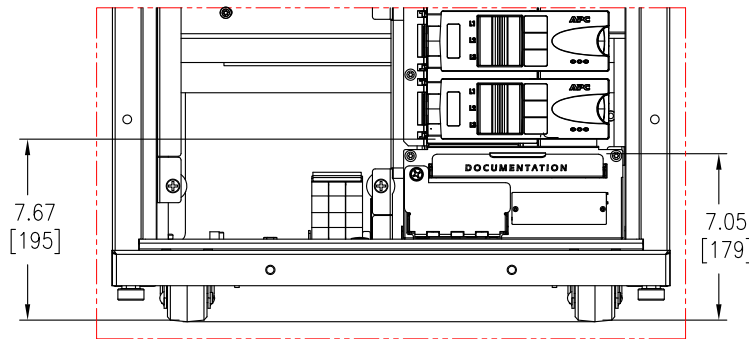
DWG NO:	PDPM100F-M		REV.	1
DRAWN BY:	K.NAGENDRA	05-MAY-15	THIRD	
ENGINEER:	FARRUKH SYED	05-MAY-15	ANGLE	
APPROVED BY:	B.SHERIDAN	05-MAY-15	PROJECTION	



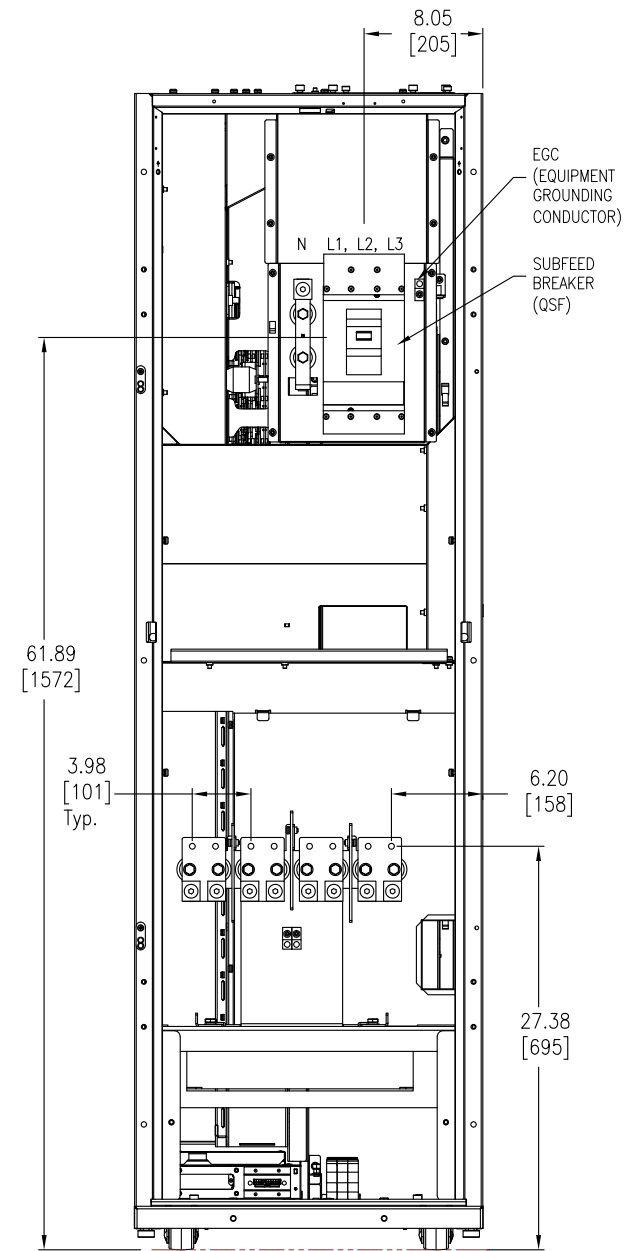
DETAIL-A



DETAIL-C



DETAIL-B



REAR VIEW

NOTES.

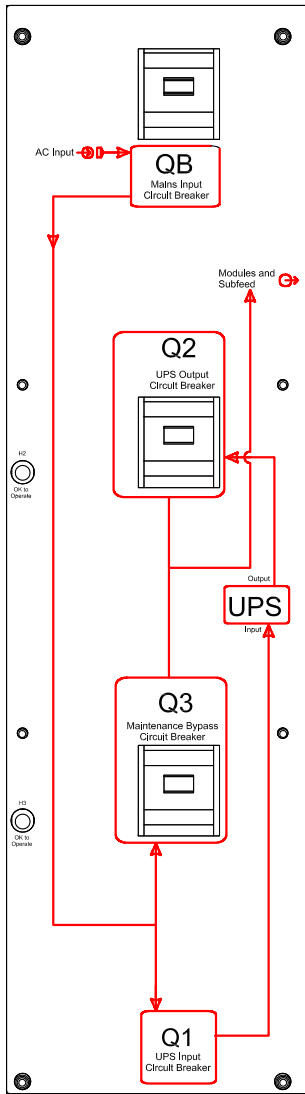
1. INSTALLATION SHALL COMPLY WITH ALL APPLICABLE NATIONAL, STATE AND LOCAL CODES.
2. REFER TO PRODUCT MANUALS FOR ADDITIONAL DETAILS.
3. ALL DIMENSIONS ARE IN INCHES [MILLIMETERS].
4. ALL POWER DISTRIBUTION MODULES AND EXTENDER CABLES ARE NOT PART OF THIS SKU AND ARE ORDERED SEPARATELY. PLEASE CONTACT APC.

THIS DRAWING AND SPECIFICATIONS HEREIN ARE THE PROPERTY OF SCHNEIDER ELECTRIC AND SHALL NOT BE COPIED, REPRODUCED OR USED IN WHOLE OR IN PART, AS THE BASIS FOR THE MANUFACTURE OR SALE OF ITEMS WITHOUT WRITTEN PERMISSION FROM SCHNEIDER ELECTRIC. THIS DRAWING IS BASED UPON LATEST AVAILABLE INFORMATION AND IS SUBJECT TO CHANGE WITHOUT NOTICE.

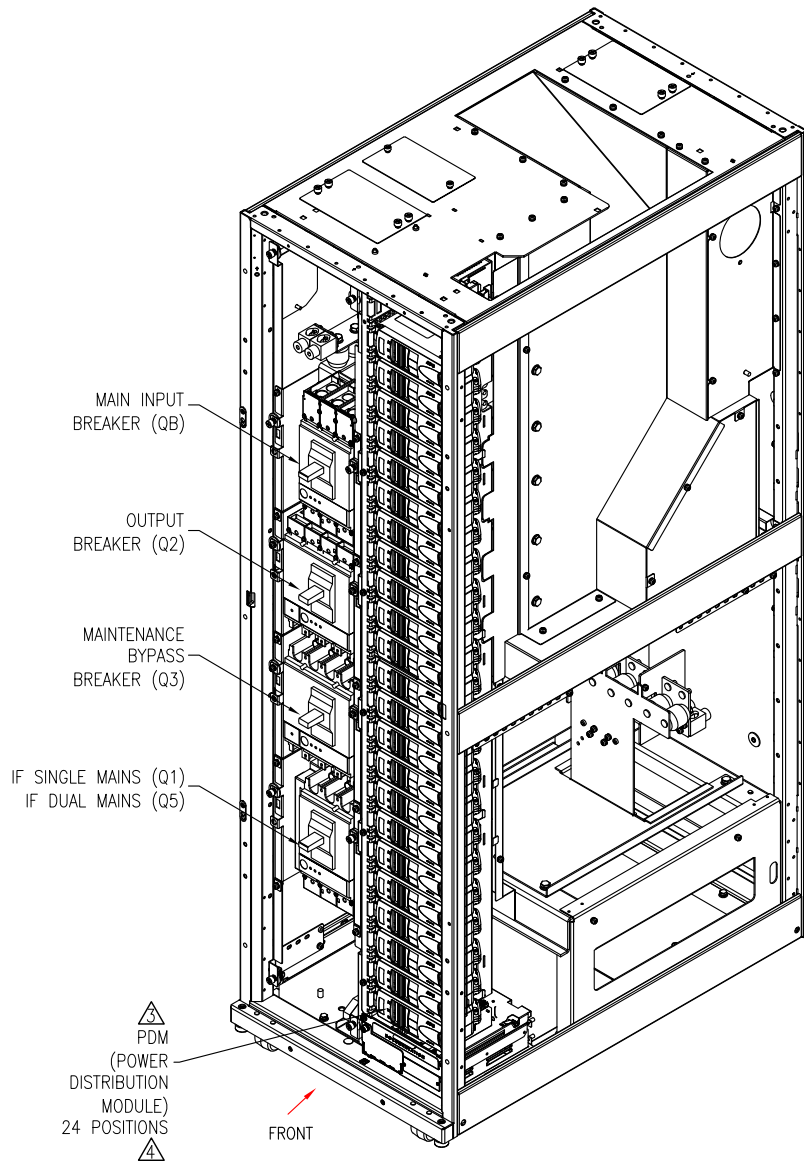


TITLE: InfraStruXure  
MODULAR PDU, Without XFMR  
INPUT: 208V, 3PH  
OUTPUT: 208V, 3PH, 72-POLES, 1-SUBFEED  
INTERNAL-DETAILS  
PROJECT: SUBMITTAL DRAWINGS SHEET 5 OF 6

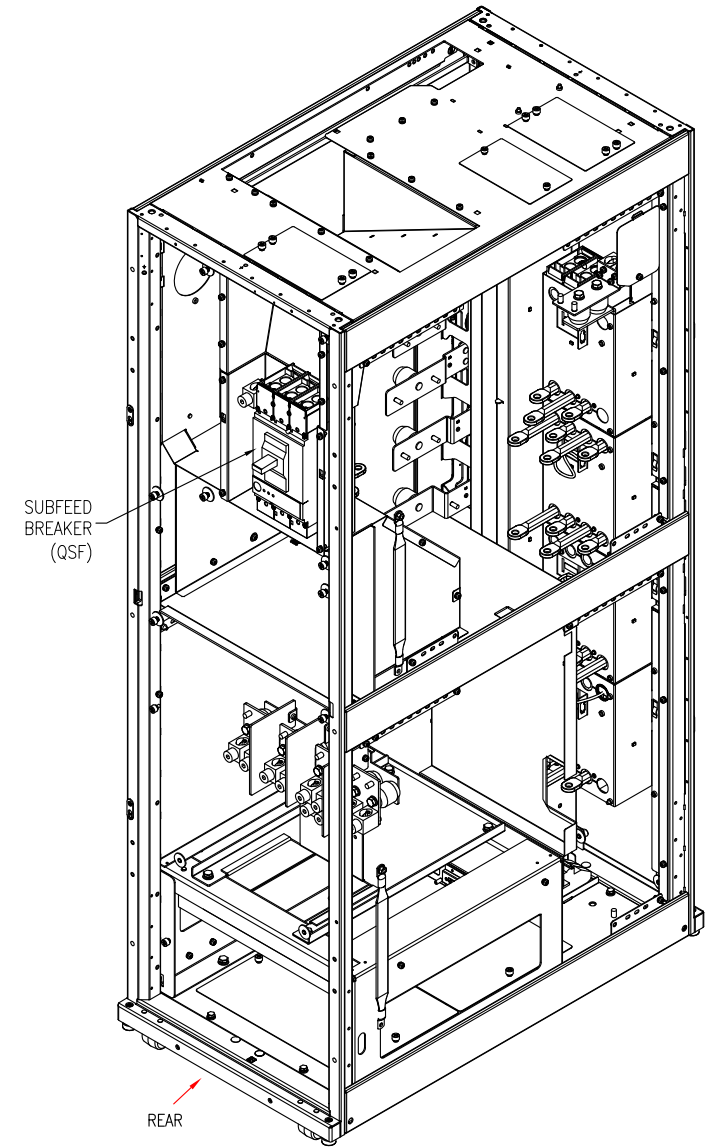
DWG NO:	PDPM100F-M		REV.	1
DRAWN BY:	K.NAGENDRA	05-MAY-15	THIRD	ANGLE
ENGINEER:	FARRUKH SYED	05-MAY-15	PROJECTION	
APPROVED BY:	B.SHERIDAN	05-MAY-15		



DETAIL-D  
(POWERFLOW DIAGRAM)



ISOMETRIC VIEW  
(INTERNAL ASSEMBLY)



NOTES:

1. INSTALLATION SHALL COMPLY WITH ALL APPLICABLE NATIONAL, STATE AND LOCAL CODES.
2. REFER TO PRODUCT MANUALS FOR ADDITIONAL DETAILS.
- △ 3. WARNING NOTE! DO NOT TRY TO INSTALL POWER DISTRIBUTION MODULES IN 208V PDU UNLESS MATING INSERT OF PDM IS BLACK AND MATCHES BLACK COLOR OF BACKPLANE BUS SAFETY INSERT.
- △ 4. ALL POWER DISTRIBUTION MODULES AND EXTENDER CABLES ARE NOT PART OF THIS SKU AND ARE ORDERED SEPARATELY. PLEASE CONTACT APC.

THIS DRAWING AND SPECIFICATIONS HEREIN ARE THE PROPERTY OF SCHNEIDER ELECTRIC AND SHALL NOT BE COPIED, REPRODUCED OR USED IN WHOLE OR IN PART, AS THE BASIS FOR THE MANUFACTURE OR SALE OF ITEMS WITHOUT WRITTEN PERMISSION FROM SCHNEIDER ELECTRIC. THIS DRAWING IS BASED UPON LATEST AVAILABLE INFORMATION AND IS SUBJECT TO CHANGE WITHOUT NOTICE.



TITLE: InfraStruXure  
MODULAR PDU, Without XFMR  
INPUT: 208V, 3PH  
OUTPUT: 208V, 3PH, 72-POLES, 1-SUBFEED  
ISOMETRIC VIEW-INTERNAL  
PROJECT: SUBMITTAL DRAWINGS SHEET 6 OF 6

DWG NO:	PDPM100F-M	REV.	2
DRAWN BY:	C KRISHNA/KN	05-MAY-15	THIRD
ENGINEER:	FARRUKH SYED	05-MAY-15	ANGLE
APPROVED BY:	B.SHERIDAN	05-MAY-15	PROJECTION