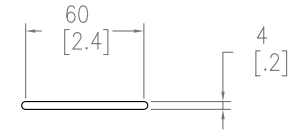
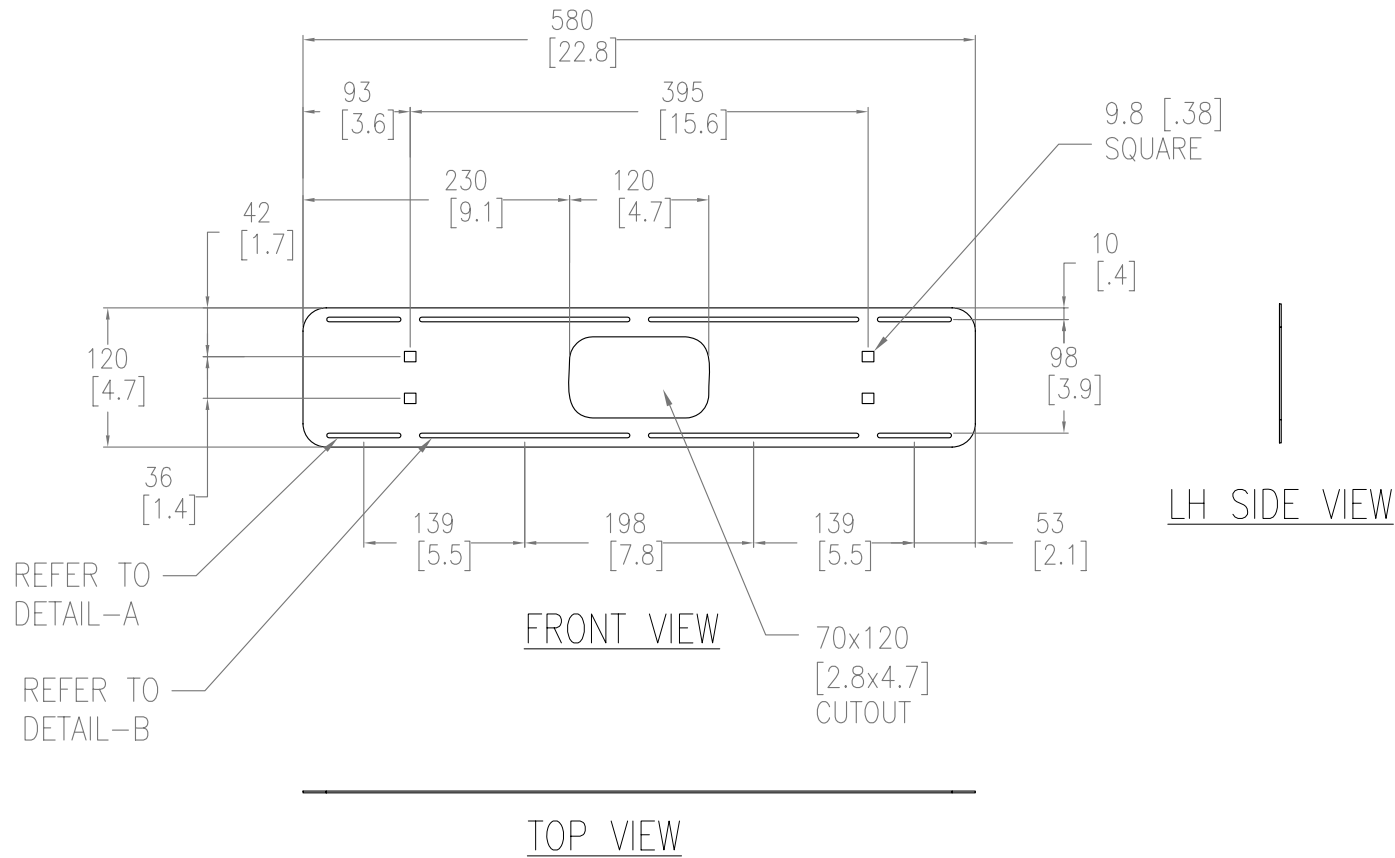
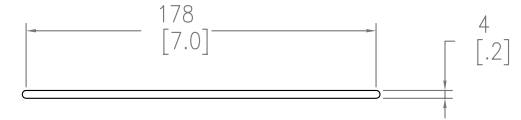


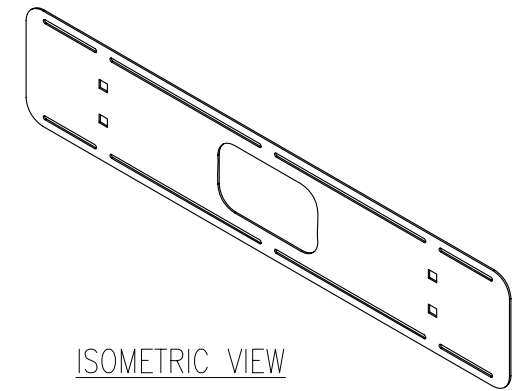
**PARTITION ADAPTER PLATE (QTY-2pcs)**



DETAIL-A



DETAIL-B



**NOTES:**

1. INSTALLATION MUST COMPLY WITH NATIONAL AND LOCAL ELECTRICAL REGULATIONS.
2. PLEASE REFER TO THE PRODUCT MANUALS FOR DETAILED INFORMATION.
3. ALL DIMENSIONS ARE IN MILLIMETERS [INCHES].
4. NET WEIGHT OF ASSEMBLED UNIT IS 4.09 Kg [9 LBS].

THIS DRAWING AND SPECIFICATIONS HEREIN ARE THE PROPERTY OF SCHNEIDER ELECTRIC AND SHALL NOT BE COPIED, REPRODUCED OR USED IN WHOLE OR IN PART, AS THE BASIS FOR THE MANUFACTURE OR SALE OF ITEMS WITHOUT WRITTEN PERMISSION FROM SCHNEIDER ELECTRIC. THIS DRAWING IS BASED UPON LATEST AVAILABLE INFORMATION AND IS SUBJECT TO CHANGE WITHOUT NOTICE.



TITLE: NetShelter Accessories  
THIRD PARTY RACK TROUGH  
AND PARTITION ADAPTER  
ROOF PARTITION ADAPTER PLATE

DWG NO: AR8190BLK

REV. 0

DRAWN BY: K.NAGENDRA 23-JUL-10

FIRST

ENGINEER: M.UHRHAN 28-JUL-10

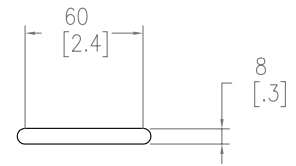
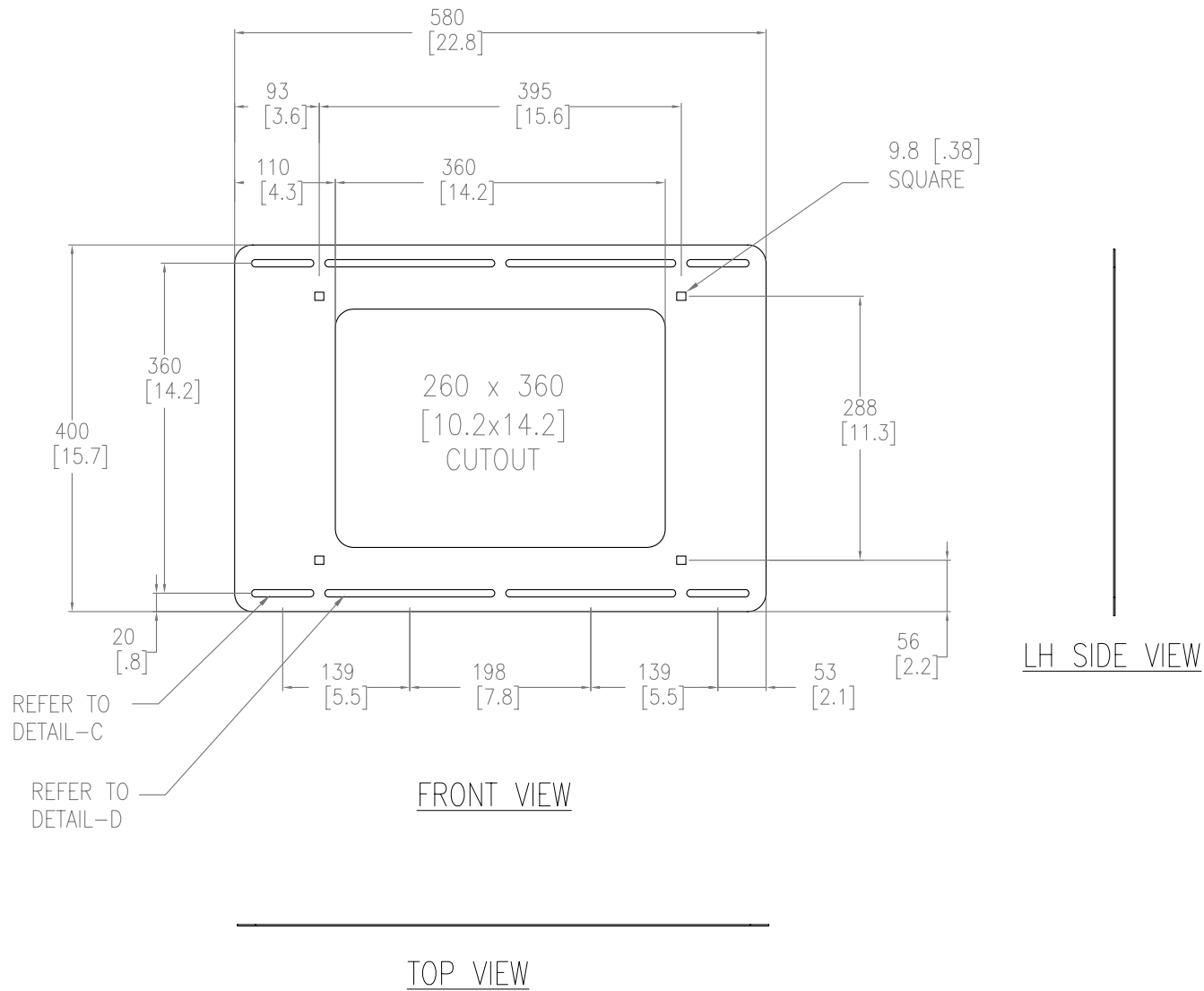
ANGLE

APPROVED BY: S.SHERIDAN/CLARSEN/SINGH 28-JUL-10

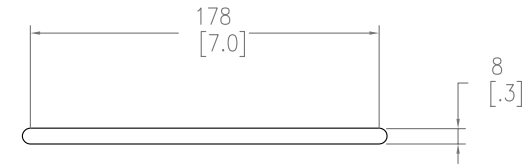
PROJECTION

PROJECT: SUBMITTAL DRAWINGS SHEET 1 OF 4

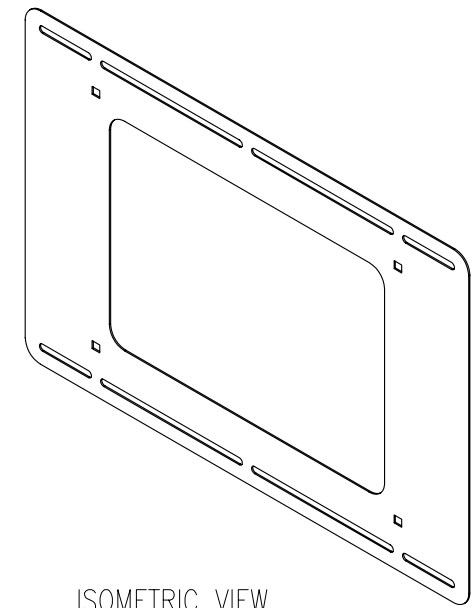
TROUGH ADAPTER PLATE (QTY-1pc)



DETAIL-C



DETAIL-D



ISOMETRIC VIEW

NOTES:

1. INSTALLATION MUST COMPLY WITH NATIONAL AND LOCAL ELECTRICAL REGULATIONS.
2. PLEASE REFER TO THE PRODUCT MANUALS FOR DETAILED INFORMATION.
3. ALL DIMENSIONS ARE IN MILLIMETERS [INCHES].

THIS DRAWING AND SPECIFICATIONS HEREIN ARE THE PROPERTY OF SCHNEIDER ELECTRIC AND SHALL NOT BE COPIED, REPRODUCED OR USED IN WHOLE OR IN PART, AS THE BASIS FOR THE MANUFACTURE OR SALE OF ITEMS WITHOUT WRITTEN PERMISSION FROM SCHNEIDER ELECTRIC. THIS DRAWING IS BASED UPON LATEST AVAILABLE INFORMATION AND IS SUBJECT TO CHANGE WITHOUT NOTICE.



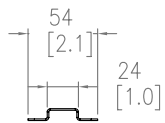
TITLE: NetShelter Accessories  
THIRD PARTY RACK TROUGH  
AND PARTITION ADAPTER  
ROOF TROUGH ADAPTER PLATE

PROJECT: SUBMITTAL DRAWINGS SHEET 2 OF 4

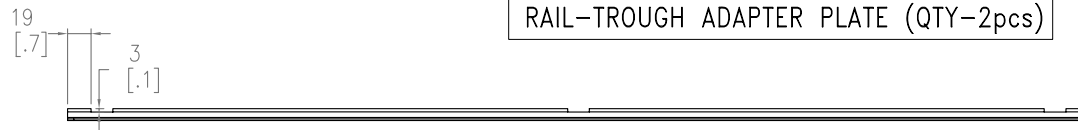
DWG NO: AR8190BLK REV. 0

DRAWN BY:	K.NAGENDRA	23-JUL-10	FIRST
ENGINEER:	M.UHRHAN	28-JUL-10	ANGLE
APPROVED BY:	B.SHERIDAN/CLARSEN/SINGH	28-JUL-10	PROJECTION

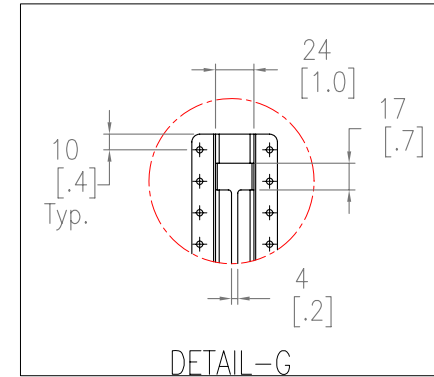
RAIL-TROUGH ADAPTER PLATE (QTY-2pcs)



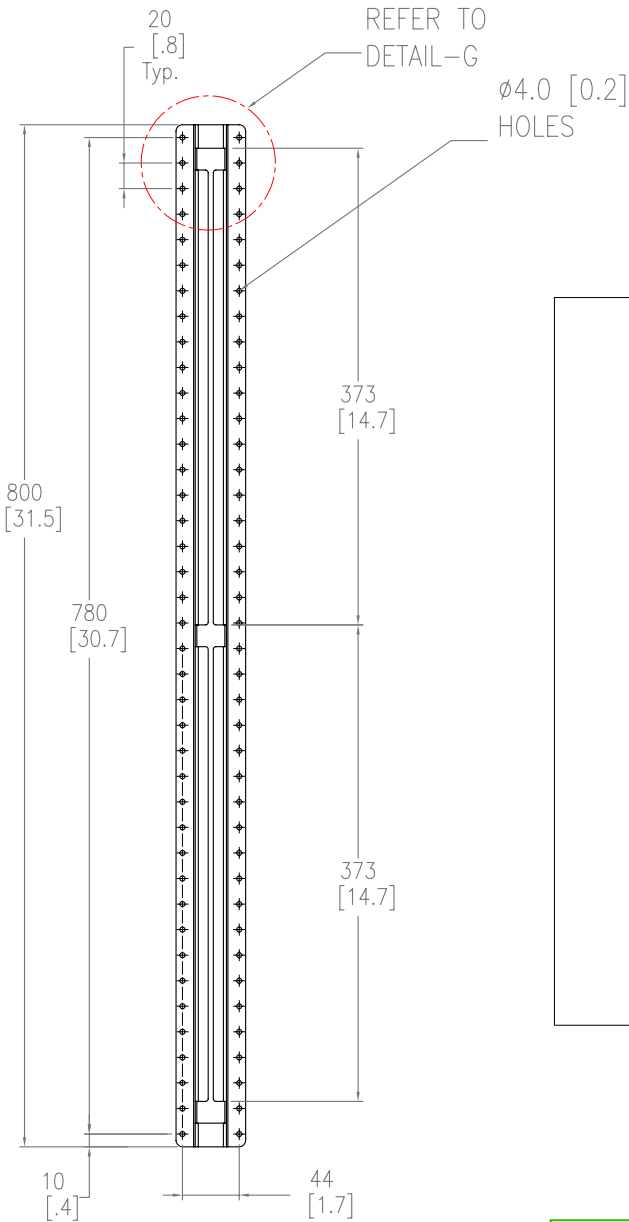
FRONT VIEW



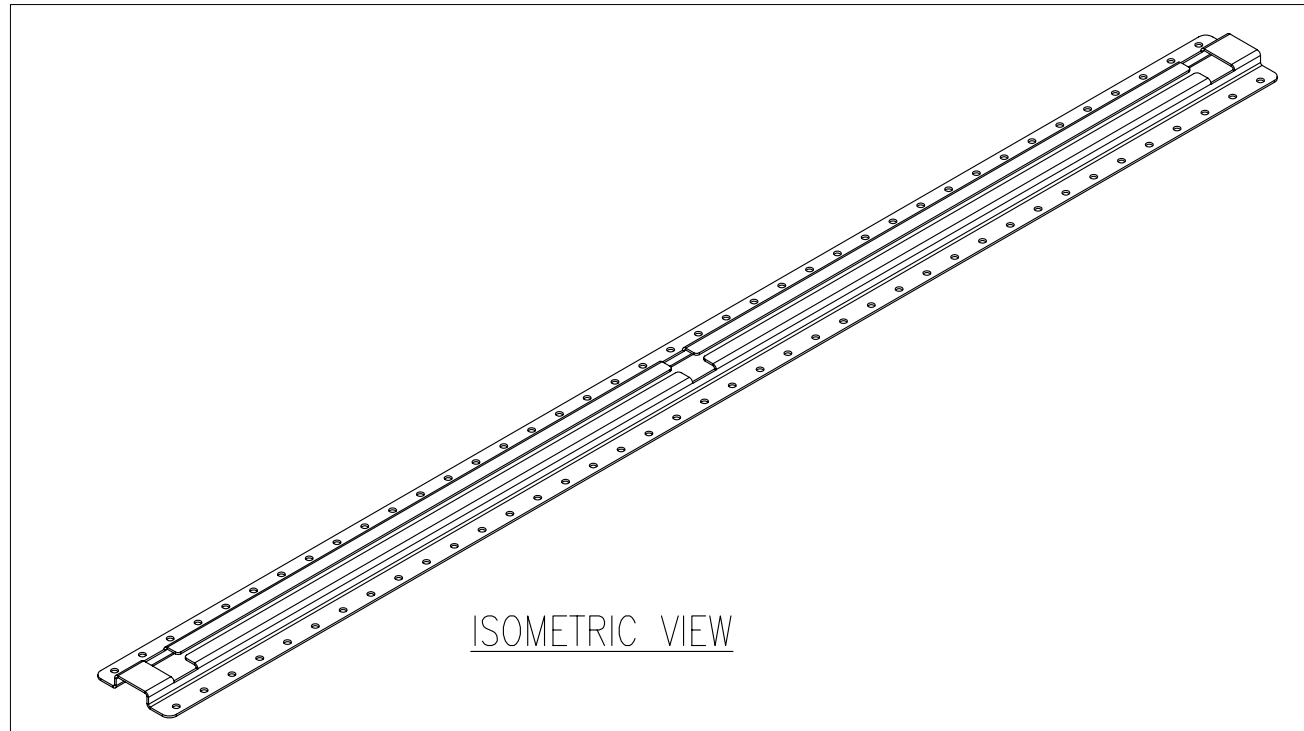
LH SIDE VIEW



DETAIL -G



TOP VIEW



ISOMETRIC VIEW

NOTES:

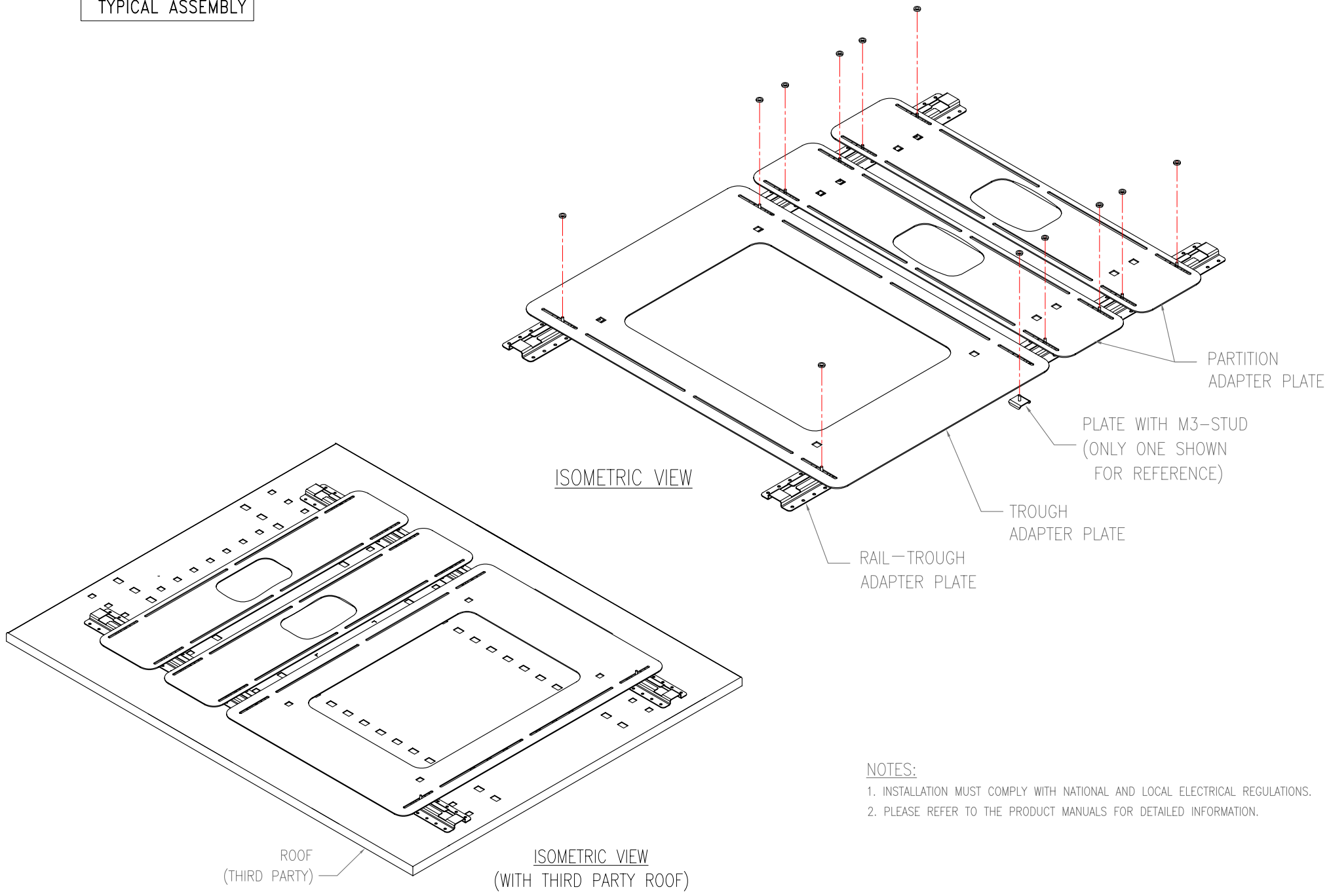
1. INSTALLATION MUST COMPLY WITH NATIONAL AND LOCAL ELECTRICAL REGULATIONS.
2. PLEASE REFER TO THE PRODUCT MANUALS FOR DETAILED INFORMATION.
3. ALL DIMENSIONS ARE IN MILLIMETERS [INCHES].

THIS DRAWING AND SPECIFICATIONS HEREIN ARE THE PROPERTY OF SCHNEIDER ELECTRIC AND SHALL NOT BE COPIED, REPRODUCED OR USED IN WHOLE OR IN PART, AS THE BASIS FOR THE MANUFACTURE OR SALE OF ITEMS WITHOUT WRITTEN PERMISSION FROM SCHNEIDER ELECTRIC. THIS DRAWING IS BASED UPON LATEST AVAILABLE INFORMATION AND IS SUBJECT TO CHANGE WITHOUT NOTICE.



TITLE: NetShelter Accessories THIRD PARTY RACK TROUGH AND PARTITION ADAPTER RAIL-ROOF TROUGH ADAPTER PLATE		DWG NO: AR8190BLK	REV. 0
DRAWN BY: K.NAGENDRA	23-JUL-10	FIRST	ANGLE
ENGINEER: M.UHRHAN	28-JUL-10	APPROVED BY: B.SHERIDAN/CLARSEN/S.WAGH	28-JUL-10
PROJECT: SUBMITTAL DRAWINGS	SHEET 3 OF 4		PROJECTION

TYPICAL ASSEMBLY



NOTES:

1. INSTALLATION MUST COMPLY WITH NATIONAL AND LOCAL ELECTRICAL REGULATIONS.
2. PLEASE REFER TO THE PRODUCT MANUALS FOR DETAILED INFORMATION.

THIS DRAWING AND SPECIFICATIONS HEREIN ARE THE PROPERTY OF SCHNEIDER ELECTRIC AND SHALL NOT BE COPIED, REPRODUCED OR USED IN WHOLE OR IN PART, AS THE BASIS FOR THE MANUFACTURE OR SALE OF ITEMS WITHOUT WRITTEN PERMISSION FROM SCHNEIDER ELECTRIC. THIS DRAWING IS BASED UPON LATEST AVAILABLE INFORMATION AND IS SUBJECT TO CHANGE WITHOUT NOTICE.



TITLE:		NetShelter Accessories THIRD PART RACK TROUGH AND PARTITION ADAPTER TYPICAL ASSEMBLY		DWG NO:	AR8190BLK	REV.	0
DRAWN BY:		K.NAGENDRA		23-JUL-10		FIRST	
ENGINEER:		M.UHRHAN		28-JUL-10		ANGLE	
PROJECT: SUBMITTAL DRAWINGS		SHEET 4 OF 4		APPROVED BY: B.SHERIDAN/CLARSEN/S.MAGH		28-JUL-10	
						PROJECTION	