

NOTES:

1. INSTALLATION SHALL COMPLY WITH ALL APPLICABLE NATIONAL, STATE AND LOCAL CODES.
2. REFER TO PRODUCT DOCUMENTATION FOR ADDITIONAL DETAILS PRIOR TO INSTALLATION AND SITE PREPARATION WORK.
3. ALL DIMENSIONS ARE IN INCHES [MILLIMETERS].
- △ 4. FRONT AND REAR ACCESS ARE REQUIRED FOR SERVICE.
MINIMUM RECOMMENDED FRONT CLEARANCE IS 39.4 [1000]
AND REAR CLEARANCE IS 36.0 [900], BUT INSTALLATION SHALL COMPLY WITH ALL APPLICABLE NATIONAL, STATE AND LOCAL ELECTRICAL CODES.
5. TWO OPTIONS ARE AVAILABLE FOR AC INPUT POWER CABLE ROUTING:
I) TOP ENTRY. REFER TO SHEET-2 FOR ACCESS DETAILS.
II) BOTTOM ENTRY USING A SIDE CAR, PDPM100SC.
REFER TO SHEET-4 FOR ACCESS DETAILS.
SIDE CAR IS A SEPARATE SKU NOT SHOWN IN THIS DRAWING.
6. WEIGHT OF THE UNIT IS 1800 lbs [818 kg].
- △ 7. MAXIMUM HEIGHT OF THE UNIT INCLUDES TOP PROTRUSIONS AND CAPTIVE FASTENERS.

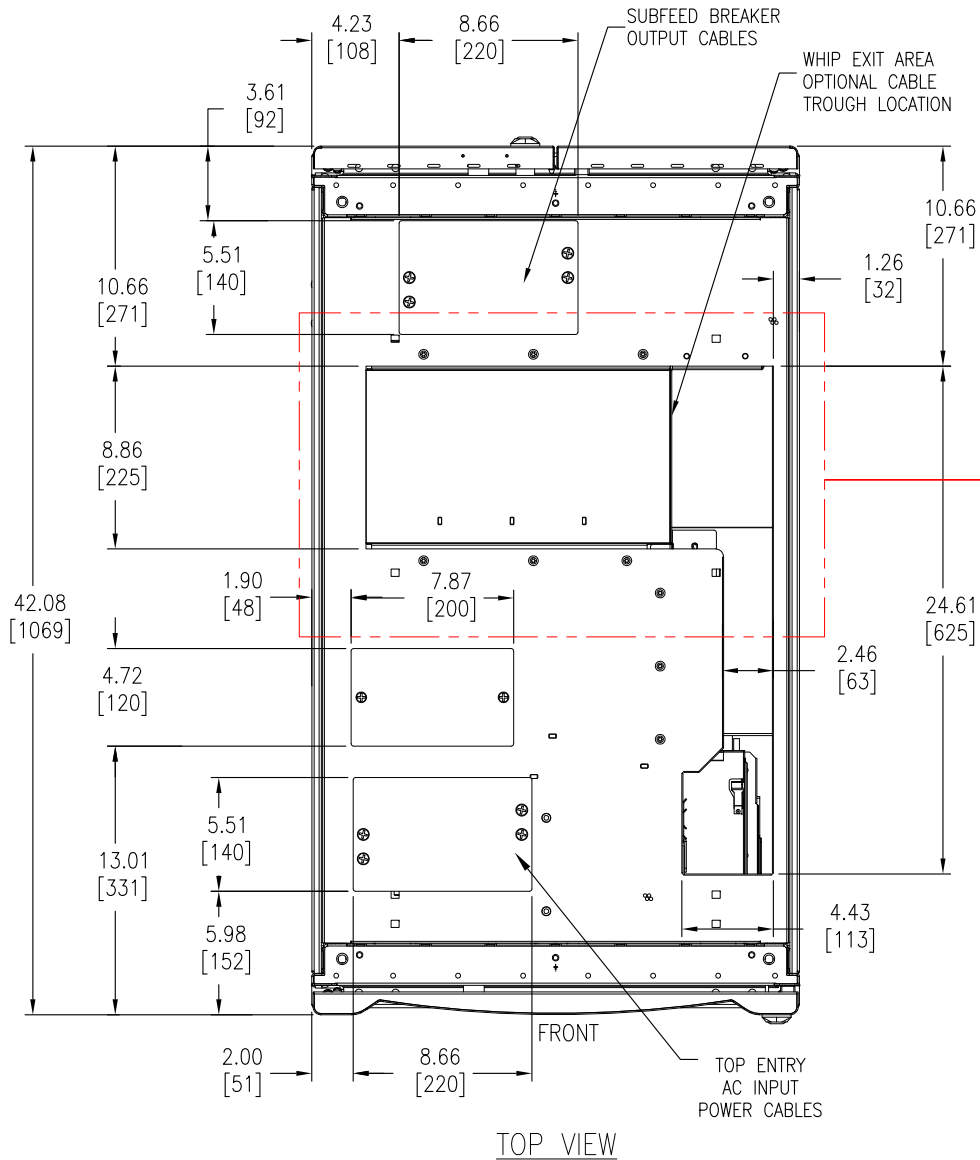
THIS DRAWING AND SPECIFICATIONS HEREIN ARE THE PROPERTY OF SCHNEIDER ELECTRIC AND SHALL NOT BE COPIED, REPRODUCED OR USED IN WHOLE OR IN PART, AS THE BASIS FOR THE MANUFACTURE OR SALE OF ITEMS WITHOUT WRITTEN PERMISSION FROM SCHNEIDER ELECTRIC. THIS DRAWING IS BASED UPON LATEST AVAILABLE INFORMATION AND IS SUBJECT TO CHANGE WITHOUT NOTICE.

Schneider Electric

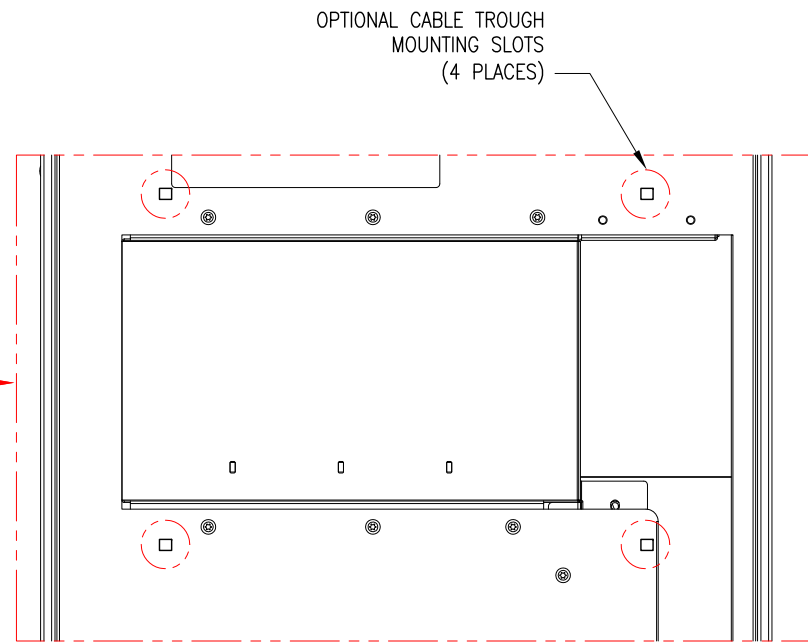
TITLE: InfraStruXure
MODULAR PDU, XFMR 480V:208V
INPUT: 480V, 3PH
OUTPUT: 208V, 3PH, 72-POLES, 1-SUBFEED
MAIN MECHANICAL

PROJECT: SUBMITTAL DRAWINGS SHEET 1 OF 6

DWG NO:	PDPM100G6F-M	REV.	1
DRAWN BY:	JAYAPRAKASH	08-SEP-10	THIRD ANGLE PROJECTION
ENGINEER:	F.S./K.S./C.F.P./J.S	09-SEP-10	
APPROVED BY:	B.SHERIDAN/J.LAUFFER	09-SEP-10	



TOP VIEW



ENLARGED VIEW

- NOTES:
1. INSTALLATION SHALL COMPLY WITH ALL APPLICABLE NATIONAL, STATE AND LOCAL CODES.
 2. REFER TO PRODUCT DOCUMENTATION FOR ADDITIONAL DETAILS PRIOR TO INSTALLATION AND SITE PREPARATION WORK.
 3. ALL DIMENSIONS ARE IN INCHES [MILLIMETERS].

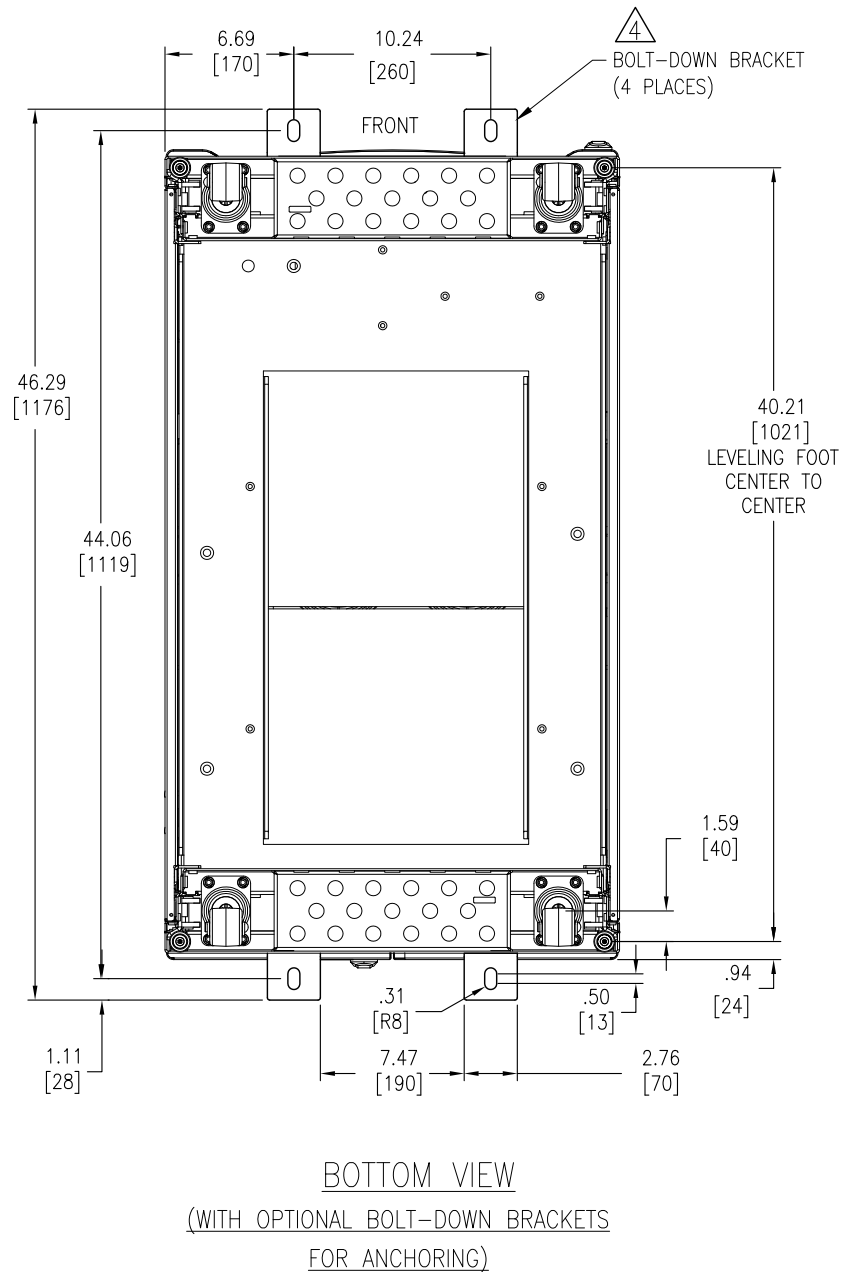
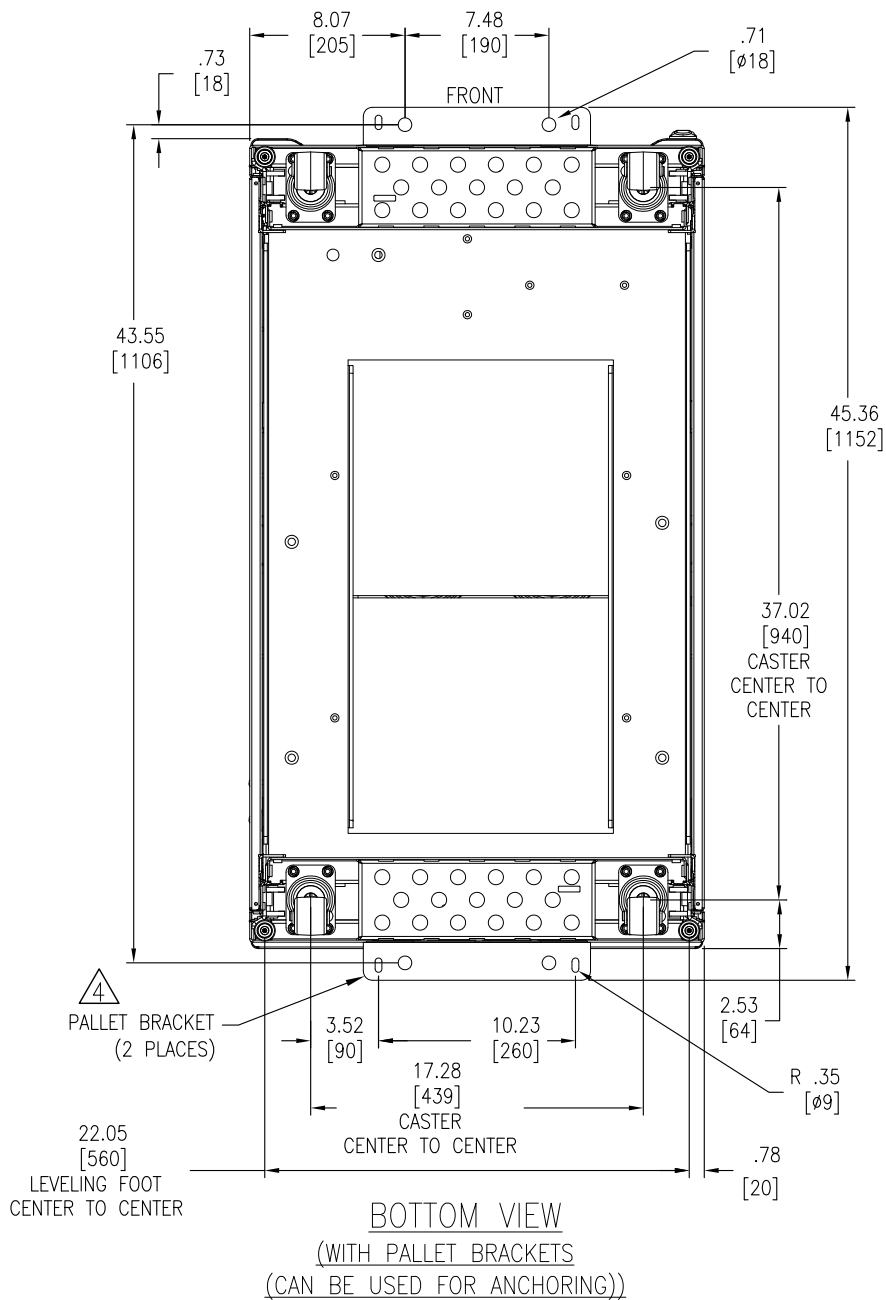
THIS DRAWING AND SPECIFICATIONS HEREIN ARE THE PROPERTY OF SCHNEIDER ELECTRIC AND SHALL NOT BE COPIED, REPRODUCED OR USED IN WHOLE OR IN PART, AS THE BASIS FOR THE MANUFACTURE OR SALE OF ITEMS WITHOUT WRITTEN PERMISSION FROM SCHNEIDER ELECTRIC. THIS DRAWING IS BASED UPON LATEST AVAILABLE INFORMATION AND IS SUBJECT TO CHANGE WITHOUT NOTICE.



TITLE: InfraStruXure
MODULAR PDU, XFMR 480V:208V
INPUT: 480V, 3PH
OUTPUT: 208V, 3PH, 72-POLES, 1-SUBFEED
TOP VIEW

PROJECT: SUBMITTAL DRAWINGS SHEET 2 OF 6

DWG NO:	PDPM100G6F-M	REV.	0
DRAWN BY:	JAYAPRAKASH	26-MAY-10	THIRD
ENGINEER:	F.S/K.S/C.F.P/J.S	26-MAY-10	ANGLE
APPROVED BY:	B.SHERIDAN/J.LAUFFER	26-MAY-10	PROJECTION



NOTES:

1. INSTALLATION SHALL COMPLY WITH ALL APPLICABLE NATIONAL, STATE AND LOCAL CODES.
 2. REFER TO PRODUCT DOCUMENTATION FOR ADDITIONAL DETAILS PRIOR TO INSTALLATION AND SITE PREPARATION WORK.
 3. ALL DIMENSIONS ARE IN INCHES [MILLIMETERS].
 4. ANCHORING BRACKETS CAN BE INSTALLED AT FRONT AND BACK OF UNIT. ADEQUATE FRONT AND REAR CLEARANCE SHOULD BE PROVIDED IF THE UNIT IS TO BE ANCHORED. FOR RECOMMENDED CLEARANCE SEE NOTE 4 ON SHEET-1. USE CODE COMPLIANT FASTENERS TO SECURE UNIT TO THE FLOOR.
- △4. BOLT DOWN KIT (SKU # AR7701) IS OPTIONAL AND HAS TO BE ORDERED SEPARATELY

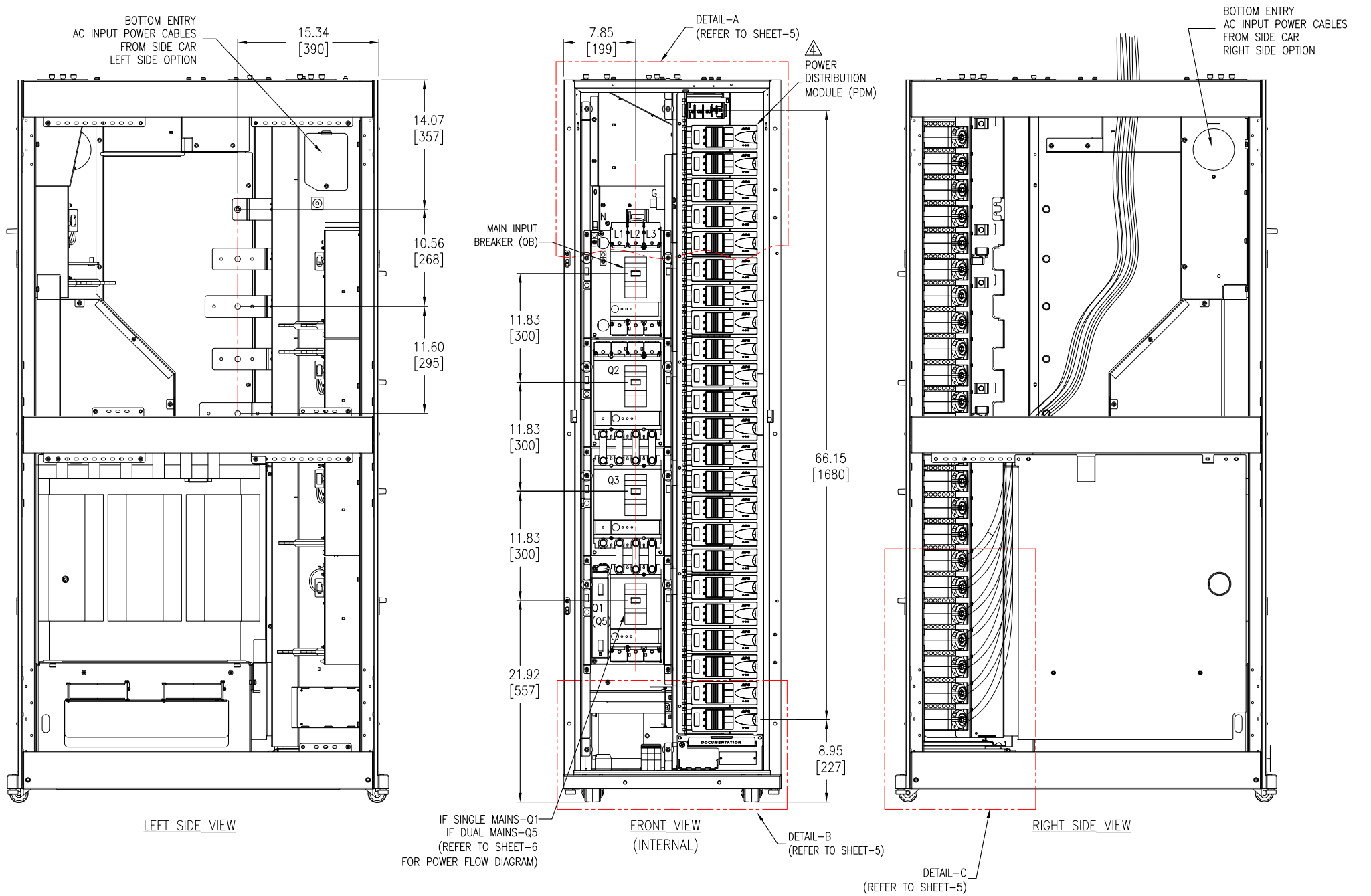
THIS DRAWING AND SPECIFICATIONS HEREIN ARE THE PROPERTY OF SCHNEIDER ELECTRIC AND SHALL NOT BE COPIED, REPRODUCED OR USED IN WHOLE OR IN PART, AS THE BASIS FOR THE MANUFACTURE OR SALE OF ITEMS WITHOUT WRITTEN PERMISSION FROM SCHNEIDER ELECTRIC. THIS DRAWING IS BASED UPON LATEST AVAILABLE INFORMATION AND IS SUBJECT TO CHANGE WITHOUT NOTICE.



TITLE: InfraStruXure
MODULAR PDU, XFMR 480V:208V
INPUT: 480V, 3PH
OUTPUT: 208V, 3PH, 72-POLES, 1-SUBFEED
BOTTOM VIEW

PROJECT: SUBMITTAL DRAWINGS SHEET 3 OF 6

DWG NO:	PDPM100G6F-M	REV.	1
DRAWN BY:	JAYAPRAKASH	08-SEP-10	THIRD
ENGINEER:	F.S./K.S./C.F.P./J.S	09-SEP-10	ANGLE
APPROVED BY:	B.SHERIDAN/J.LAUFFER	09-SEP-10	PROJECTION



NOTES.

1. INSTALLATION SHALL COMPLY WITH ALL APPLICABLE NATIONAL, STATE AND LOCAL CODES.
2. REFER TO PRODUCT DOCUMENTATION FOR ADDITIONAL DETAILS PRIOR TO INSTALLATION AND SITE PREPARATION WORK.
3. ALL DIMENSIONS ARE IN INCHES [MILLIMETERS].
4. ALL POWER DISTRIBUTION MODULES AND EXTENDER CABLES ARE NOT PART OF THIS SKU AND ARE ORDERED SEPARATELY. CONTACT SCHNEIDER ELECTRIC.

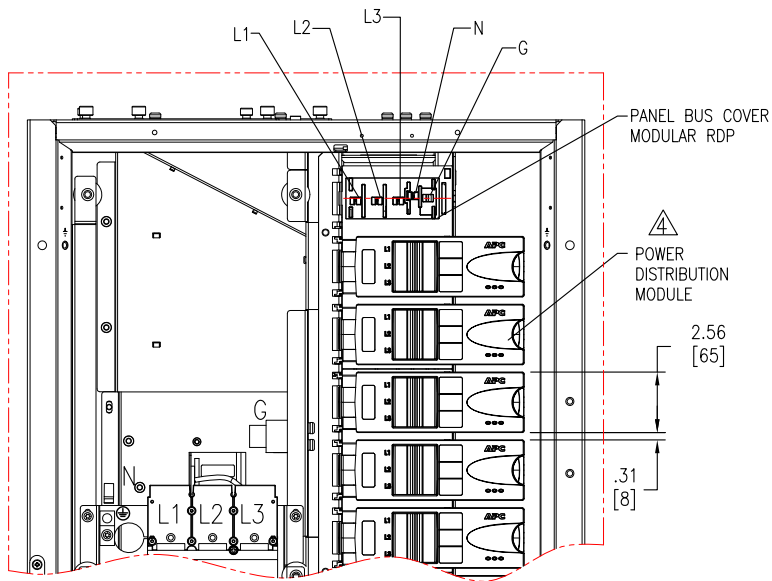
THIS DRAWING AND SPECIFICATIONS HEREIN ARE THE PROPERTY OF SCHNEIDER ELECTRIC AND SHALL NOT BE COPIED, REPRODUCED OR USED IN WHOLE OR IN PART, AS THE BASIS FOR THE MANUFACTURE OR SALE OF ITEMS WITHOUT WRITTEN PERMISSION FROM SCHNEIDER ELECTRIC. THIS DRAWING IS BASED UPON LATEST AVAILABLE INFORMATION AND IS SUBJECT TO CHANGE WITHOUT NOTICE.



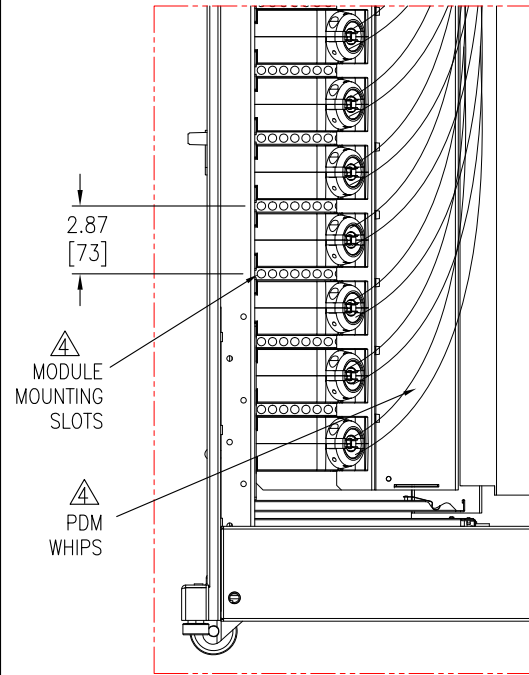
TITLE: InfraStruXure
 MODULAR PDU, XFMR 480V:208V
 INPUT: 480V, 3PH
 OUTPUT: 208V, 3PH, 72-POLES, 1-SUBFEED
 INTERNAL VIEW

PROJECT: SUBMITTAL DRAWINGS SHEET 4 OF 6

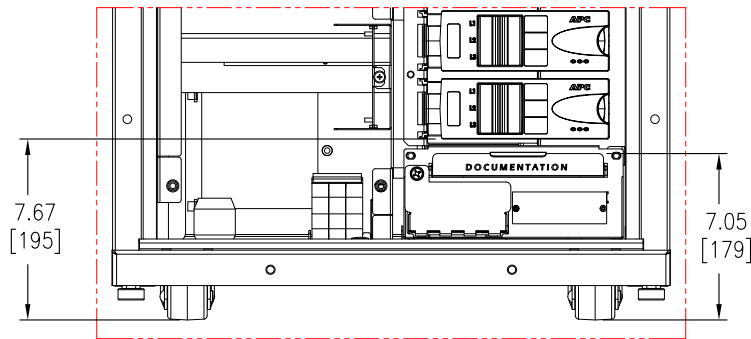
DWG NO:	PDP100G6F-M		REV.	1
DRAWN BY:	JAYAPRAKASH	08-APR-15	THIRD	ANGLE
ENGINEER:	FARRUKH SYED	08-APR-15	PROJECTION	
APPROVED BY:	B.SHERIDAN	08-APR-15		



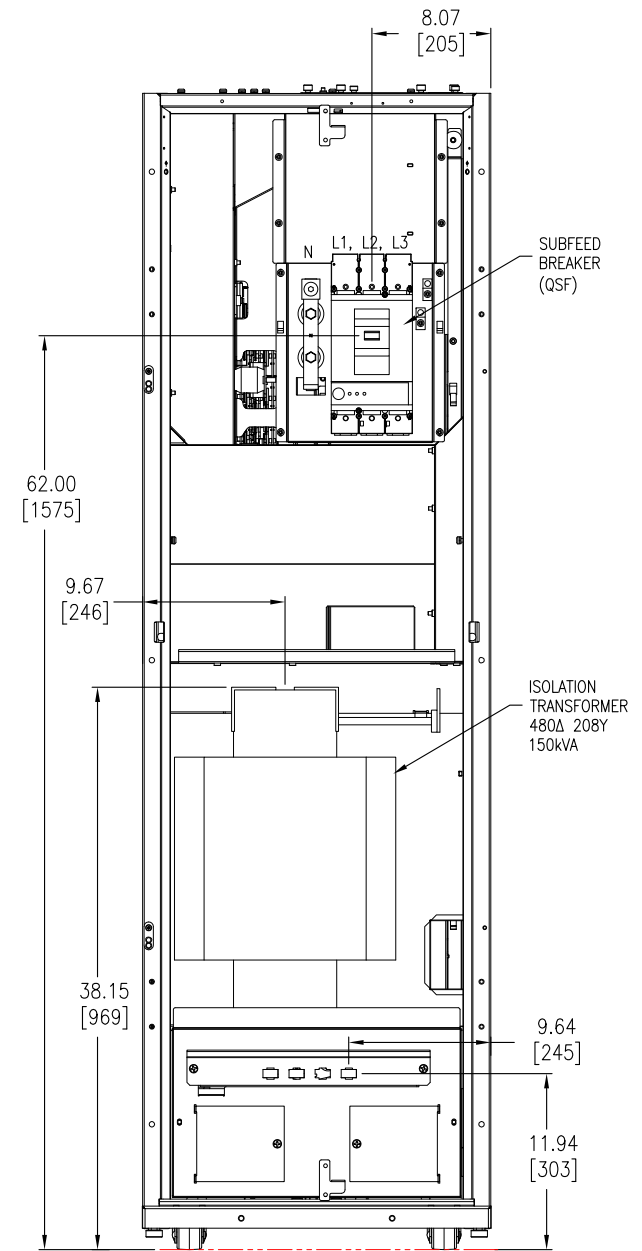
DETAIL-A



DETAIL-C



DETAIL-B



REAR VIEW

NOTES.

1. INSTALLATION SHALL COMPLY WITH ALL APPLICABLE NATIONAL, STATE AND LOCAL CODES.
2. REFER TO PRODUCT DOCUMENTATION FOR ADDITIONAL DETAILS PRIOR TO INSTALLATION AND SITE PREPARATION WORK.
3. ALL DIMENSIONS ARE IN INCHES [MILLIMETERS].
4. ALL POWER DISTRIBUTION MODULES AND EXTENDER CABLES ARE NOT PART OF THIS SKU AND ARE ORDERED SEPARATELY. CONTACT SCHNEIDER ELECTRIC.

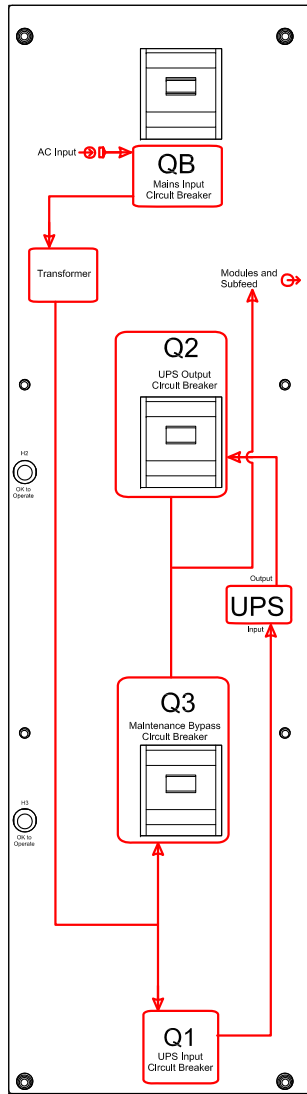
THIS DRAWING AND SPECIFICATIONS HEREIN ARE THE PROPERTY OF SCHNEIDER ELECTRIC AND SHALL NOT BE COPIED, REPRODUCED OR USED IN WHOLE OR IN PART, AS THE BASIS FOR THE MANUFACTURE OR SALE OF ITEMS WITHOUT WRITTEN PERMISSION FROM SCHNEIDER ELECTRIC. THIS DRAWING IS BASED UPON LATEST AVAILABLE INFORMATION AND IS SUBJECT TO CHANGE WITHOUT NOTICE.



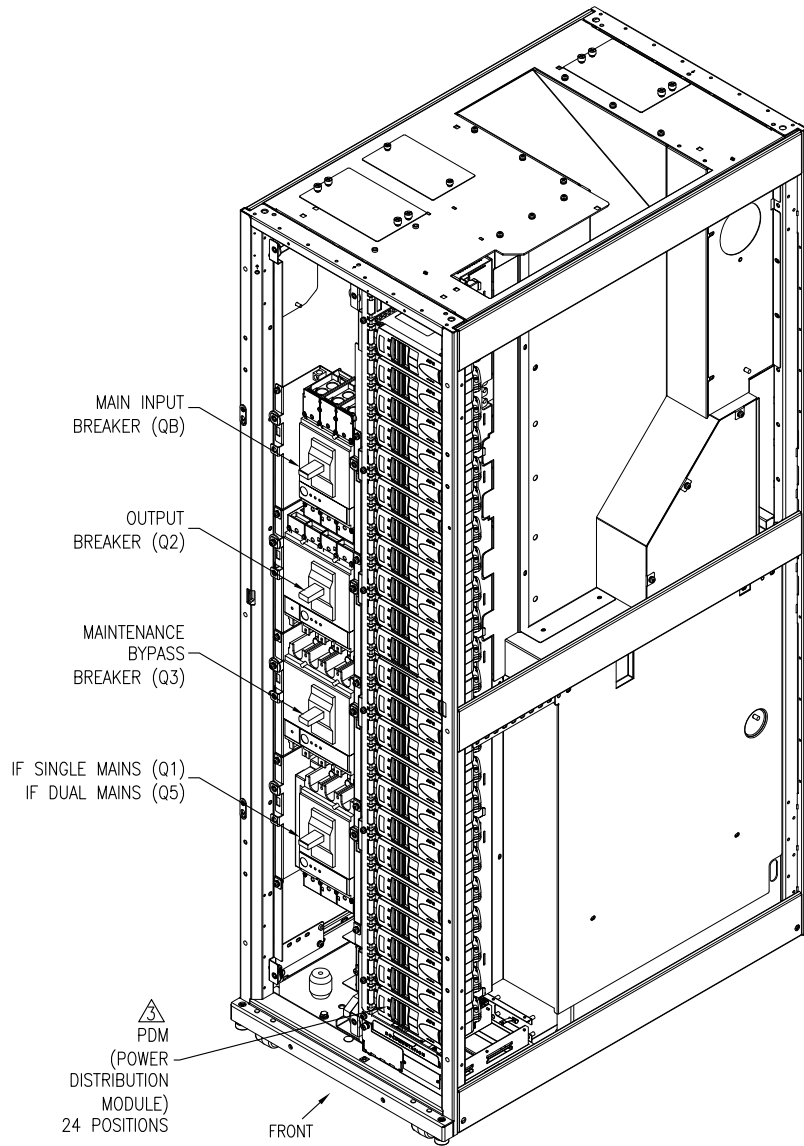
TITLE: InfraStruXure
MODULAR PDU, XFMR 480V:208V
INPUT: 480V, 3PH
OUTPUT: 208V, 3PH, 72-POLES, 1-SUBFEED
INTERNAL-DETAILS

PROJECT: SUBMITTAL DRAWINGS SHEET 5 OF 6

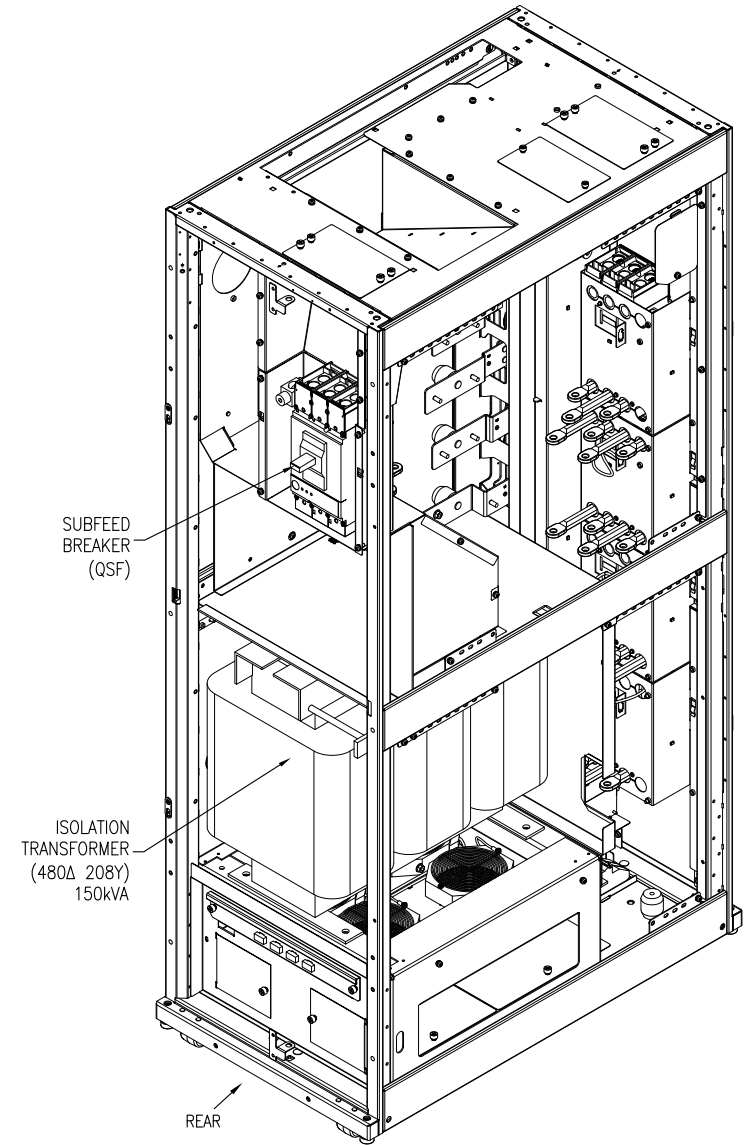
DWG NO:	PDPM100G6F-M	REV.	2
DRAWN BY:	JAYAPRAKASH	08-APR-15	THIRD
ENGINEER:	FARRUKH SYED	08-APR-15	ANGLE
APPROVED BY:	B.SHERIDAN	08-APR-15	PROJECTION



DETAIL-D
(POWERFLOW DIAGRAM)



ISOMETRIC VIEW
(INTERNAL ASSEMBLY)



REAR

NOTES:

1. INSTALLATION SHALL COMPLY WITH ALL APPLICABLE NATIONAL, STATE AND LOCAL CODES.
2. REFER TO PRODUCT DOCUMENTATION FOR ADDITIONAL DETAILS PRIOR TO INSTALLATION AND SITE PREPARATION WORK.

△ 3. WARNING NOTE! DO NOT TRY TO INSTALL POWER DISTRIBUTION MODULES IN 208V PDU UNLESS MATING INSERT OF PDM IS BLACK AND MATCHES BLACK COLOR OF BACKPLANE BUS SAFETY INSERT.

THIS DRAWING AND SPECIFICATIONS HEREIN ARE THE PROPERTY OF SCHNEIDER ELECTRIC AND SHALL NOT BE COPIED, REPRODUCED OR USED IN WHOLE OR IN PART, AS THE BASIS FOR THE MANUFACTURE OR SALE OF ITEMS WITHOUT WRITTEN PERMISSION FROM SCHNEIDER ELECTRIC. THIS DRAWING IS BASED UPON LATEST AVAILABLE INFORMATION AND IS SUBJECT TO CHANGE WITHOUT NOTICE.



TITLE: InfraStruXure
MODULAR PDU, XFMR 480V:208V
INPUT: 480V, 3PH
OUTPUT: 208V, 3PH, 72-POLES, 1-SUBFEED
ISOMETRIC VIEW-INTERNAL
PROJECT: SUBMITTAL DRAWINGS SHEET 6 OF 6

DWG NO:	PDPM100G6F-M	REV.	2
DRAWN BY:	JAYAPRAKASH	08-APR-15	THIRD
ENGINEER:	FARRUKH SYED	08-APR-15	ANGLE
APPROVED BY:	B.SHERIDAN	08-APR-15	PROJECTION