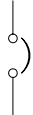


MODULAR REMOTE POWER PANEL, 144kW, 400A, 208V, 72 Pole, 300mm

Sheet No.	Component /Detail	Description
1	Draw ing Guide	Modular Remote Pow er Panel, 144kW, 400A, 208V, 72 Pole, 300mm
2-6	Mechanical Layouts	Modular Remote Pow er Panel, 144kW, 400A, 208V, 72 Pole, 300mm
7-8	Internal View s	Modular Remote Pow er Panel, 144kW, 400A, 208V, 72 Pole, 300mm - Internal view s & User Interface
9	System One Line Diagram	Modular Remote Pow er Panel, 144kW, 400A, 208V, 72 Pole, 300mm - System One Line Diagram

LEGEND	
SYMBOL	DESCRIPTION
	CIRCUIT BREAKER

THIS DRAWING AND SPECIFICATIONS HEREIN ARE THE PROPERTY OF SCHNEIDER ELECTRIC AND SHALL NOT BE COPIED, REPRODUCED OR USED IN WHOLE OR IN PART, AS THE BASIS FOR THE MANUFACTURE OR SALE OF ITEMS WITHOUT WRITTEN PERMISSION FROM SCHNEIDER ELECTRIC. THIS DRAWING IS BASED UPON LATEST AVAILABLE INFORMATION AND IS SUBJECT TO CHANGE WITHOUT NOTICE.



TITLE: MODULAR POWER DISTRIBUTION
MODULAR REMOTE POWER PANEL
Input: 208V, 3PH, 60Hz
Output: 208V, 3PH, 60Hz, 72 POLE
DRAWING GUIDE

DWG NO: PDPM144F REV. 0

DRAWN BY: SURAJ P 16-MAR-12 ANGLE

ENGINEER: M.UHRAN 19-MAR-12 PROJECTION

PROJECT: DRAWINGS SHEET 1 OF 9

APPROVED BY: B.SHERIDAN 19-MAR-12 N/A

MODULAR REMOTE POWER PANEL - SPECIFICATIONS

1. AC Input

- 1.1 Nominal voltage : 208V/120V, 3PH, 3W+N+G (provided by others)
- 1.2 Frequency : 60Hz
- 1.3 Input Circuit Breaker : 400A
- 1.4 Maximum continuous current : 400A
- 1.5 maximum Input conductor : 500 MCM

2. AC Output

- 2.1 Nominal voltage : 208V 3PH 3W+N+G
- 2.2 Maximum continuous current : 400A
- 2.3 Full Load rating : 144kW @ 208V 3PH
- 2.4 Power Distribution Module (PDM) : 3-pole breaker
- 2.5 Power Distribution poles available : 72
- 2.6 Maximum number of PDMs : 24

3. ENVIRONMENTS

- 3.1 The assembly is made for an ambient temperature for operation of : 0°C to 40°C.
- 3.2 The assembly is made for an ambient temperature for storage of : 0°C to 45°C.
- 3.3 Rated conditional short-circuit current (Icc) : 10kA

4. ENCLOSURE

- 4.1 The assembly material is steel with surface coating.
- 4.2 The assembly is made for Indoor floor Installation.

5. CONNECTIONS

- 5.1 Incoming and outgoing cables to be connected to terminals in component section.
- 5.2 Input cable entry is through top or bottom of the unit.
Double barrel lugs are provided to accommodate 4/0AWG to 500kcmil conductors

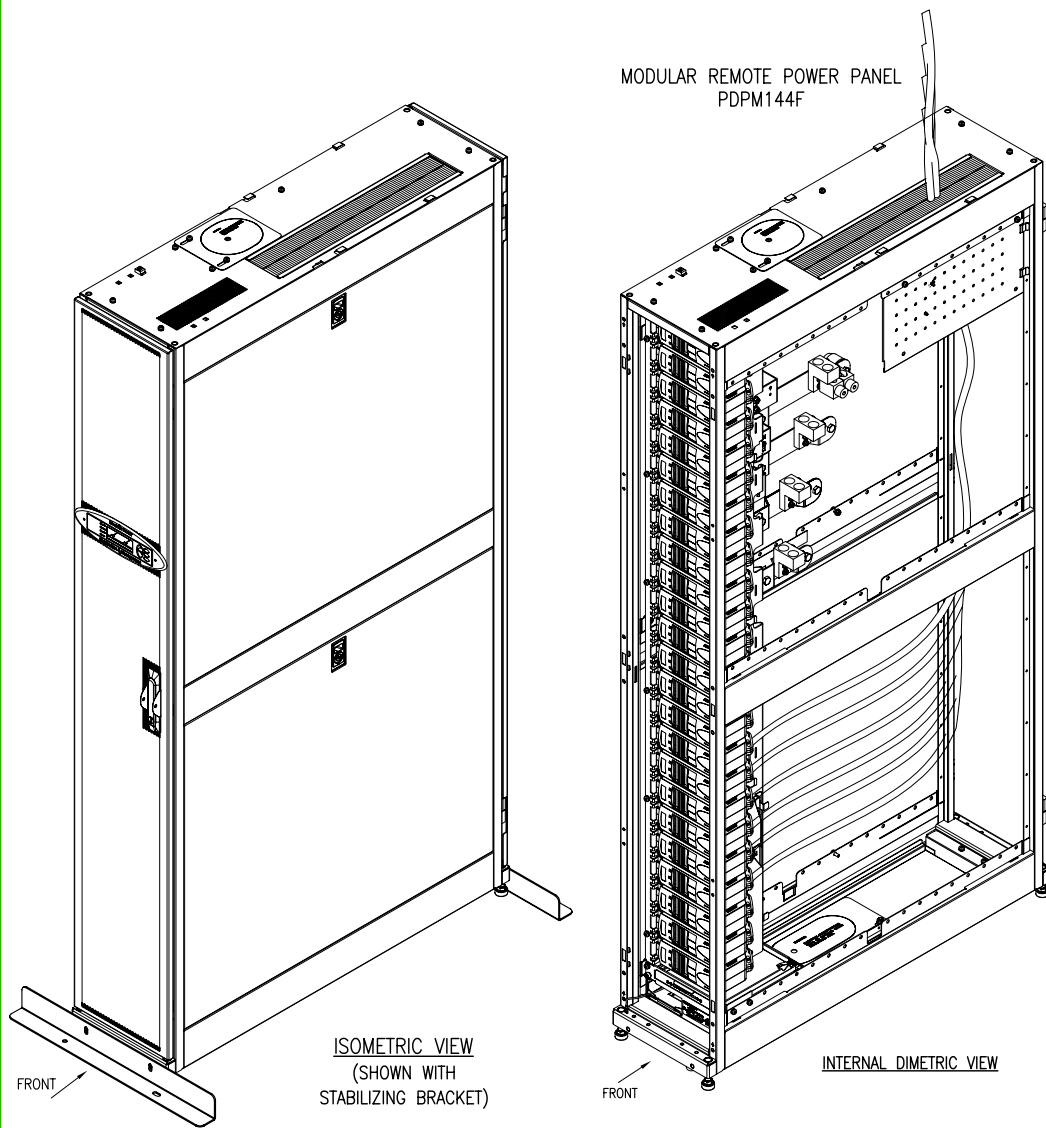
NOTES:

1. INSTALLATION SHALL COMPLY WITH ALL APPLICABLE NATIONAL, STATE AND LOCAL CODES.
2. PLEASE REFER TO PRODUCT MANUALS PRIOR TO INSTALLATION AND SITE PREPARATION WORK FOR FURTHER DETAILS.

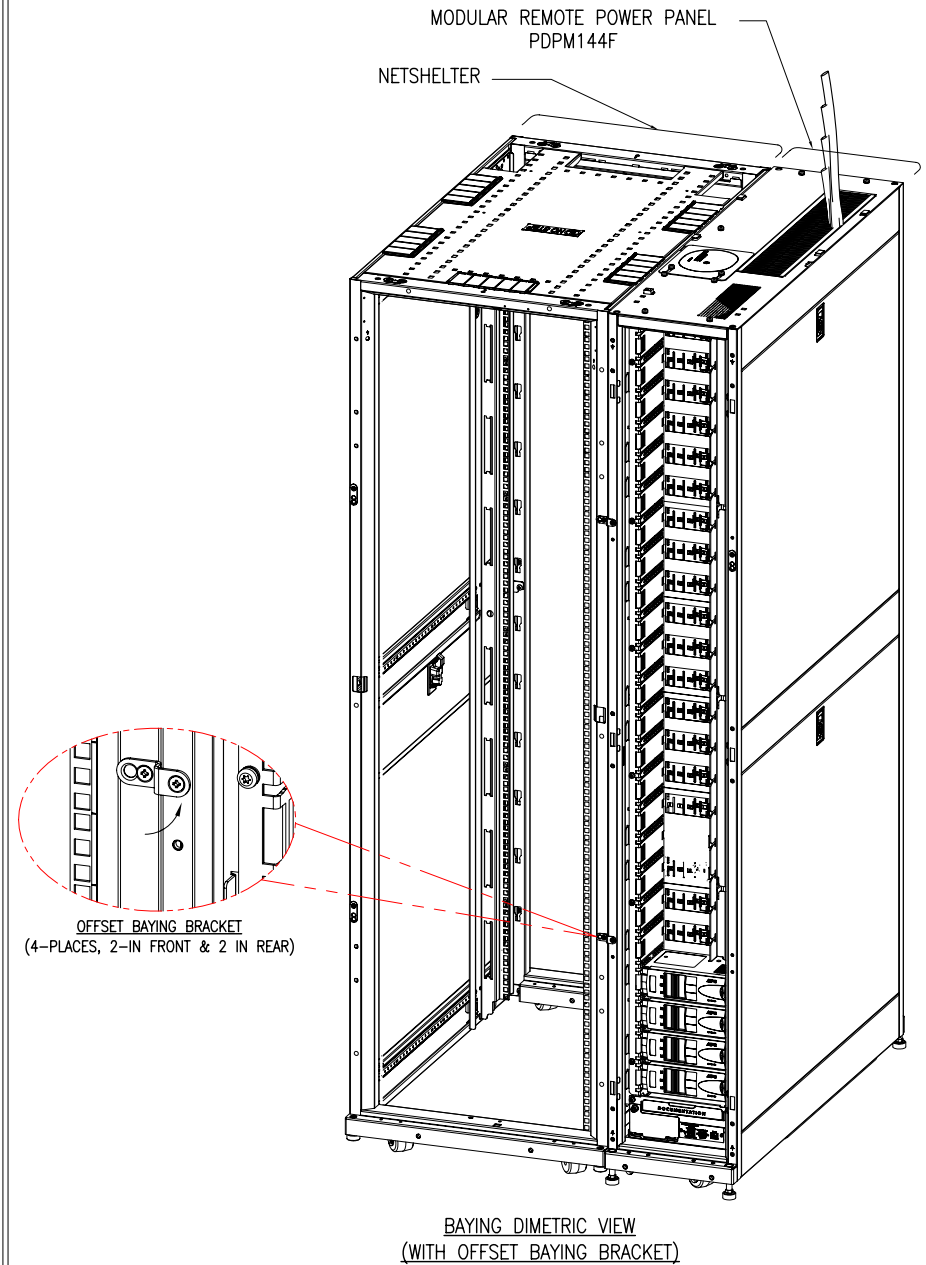
THIS DRAWING AND SPECIFICATIONS HEREIN ARE THE PROPERTY OF SCHNEIDER ELECTRIC AND SHALL NOT BE COPIED, REPRODUCED OR USED IN WHOLE OR IN PART, AS THE BASIS FOR THE MANUFACTURE OR SALE OF ITEMS WITHOUT WRITTEN PERMISSION FROM SCHNEIDER ELECTRIC. THIS DRAWING IS BASED UPON LATEST AVAILABLE INFORMATION AND IS SUBJECT TO CHANGE WITHOUT NOTICE.



TITLE:	MODULAR POWER DISTRIBUTION MODULAR REMOTE POWER PANEL Input: 208V, 3PH, 60Hz Output: 208V, 3PH, 60Hz, 72 POLE SPECIFICATIONS	DWG NO:	PDPM144F	REV.	1
PROJECT:	DRAWINGS	SHEET	2 OF 9	APPROVED BY:	B.SHERIDAN
ENGINEER:	M.UHRAN/A.WARNER	14-APR-15	ANGLE	PROJECTION	N/A



TYPICAL ARRANGEMENT



NOTES:

1. INSTALLATION SHALL COMPLY WITH ALL APPLICABLE NATIONAL, STATE AND LOCAL CODES.
2. PLEASE REFER TO PRODUCT MANUALS PRIOR TO INSTALLATION AND SITE PREPARATION WORK FOR FURTHER DETAILS.

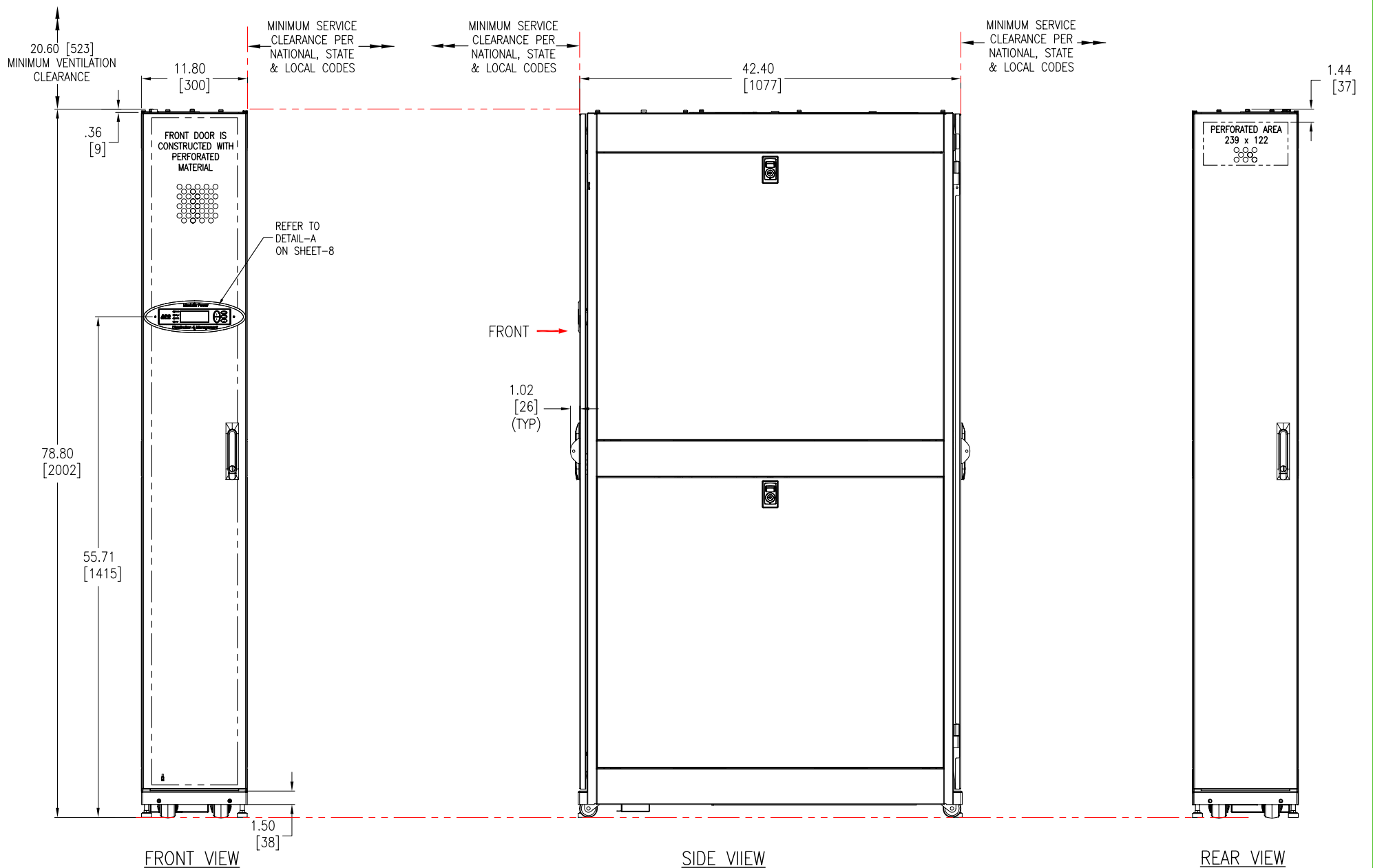
THIS DRAWING AND SPECIFICATIONS HEREIN ARE THE PROPERTY OF SCHNEIDER ELECTRIC AND SHALL NOT BE COPIED, REPRODUCED OR USED IN WHOLE OR IN PART, AS THE BASIS FOR THE MANUFACTURE OR SALE OF ITEMS WITHOUT WRITTEN PERMISSION FROM SCHNEIDER ELECTRIC. THIS DRAWING IS BASED UPON LATEST AVAILABLE INFORMATION AND IS SUBJECT TO CHANGE WITHOUT NOTICE.

**Schneider
Electric**

TITLE: MODULAR POWER DISTRIBUTION
MODULAR REMOTE POWER PANEL
Input: 208V, 3PH, 60Hz
Output: 208V, 3PH, 60Hz, 72 POLE
DIMETRIC VIEW

PROJECT: DRAWINGS SHEET 3 OF 9

DWG NO:	PDPM144F	REV:	0
DRAWN BY:	SURAJ P	16-MAR-12	ANGLE
ENGINEER:	M.UHRAN	19-MAR-12	PROJECTION
APPROVED BY:	B.SHERIDAN	19-MAR-12	N/A



NOTES:

1. INSTALLATION SHALL COMPLY WITH ALL APPLICABLE NATIONAL, STATE AND LOCAL CODES.
2. PLEASE REFER TO PRODUCT MANUALS PRIOR TO INSTALLATION AND SITE PREPARATION WORK FOR FURTHER DETAILS.
3. ALL DIMENSIONS ARE IN INCHES [MILLIMETERS], UNLESS OTHERWISE SPECIFIED.
4. CABLE ENTRY IS FROM TOP OR BOTTOM OF THE UNIT.
5. FRONT, REAR AND RIGHT SIDE SERVICE ACCESS IS REQUIRED.
6. WEIGHT OF THE UNIT IS 352 lb [160kg] WITHOUT POWER DISTRIBUTION MODULES.
7. FLOOR LOADING: 194.16 lb/ft² [948kg/meter²] FOR FULLY LOADED UNIT.
8. COLOR: BLACK.

THIS DRAWING AND SPECIFICATIONS HEREIN ARE THE PROPERTY OF SCHNEIDER ELECTRIC AND SHALL NOT BE COPIED, REPRODUCED OR USED IN WHOLE OR IN PART, AS THE BASIS FOR THE MANUFACTURE OR SALE OF ITEMS WITHOUT WRITTEN PERMISSION FROM SCHNEIDER ELECTRIC. THIS DRAWING IS BASED UPON LATEST AVAILABLE INFORMATION AND IS SUBJECT TO CHANGE WITHOUT NOTICE.



TITLE: MODULAR POWER DISTRIBUTION
MODULAR REMOTE POWER PANEL
Input: 208V, 3PH, 60Hz
Output: 208V, 3PH, 60Hz, 72 POLE
GENERAL ARRANGEMENT

PROJECT: DRAWINGS

DWG NO: PDPM144F

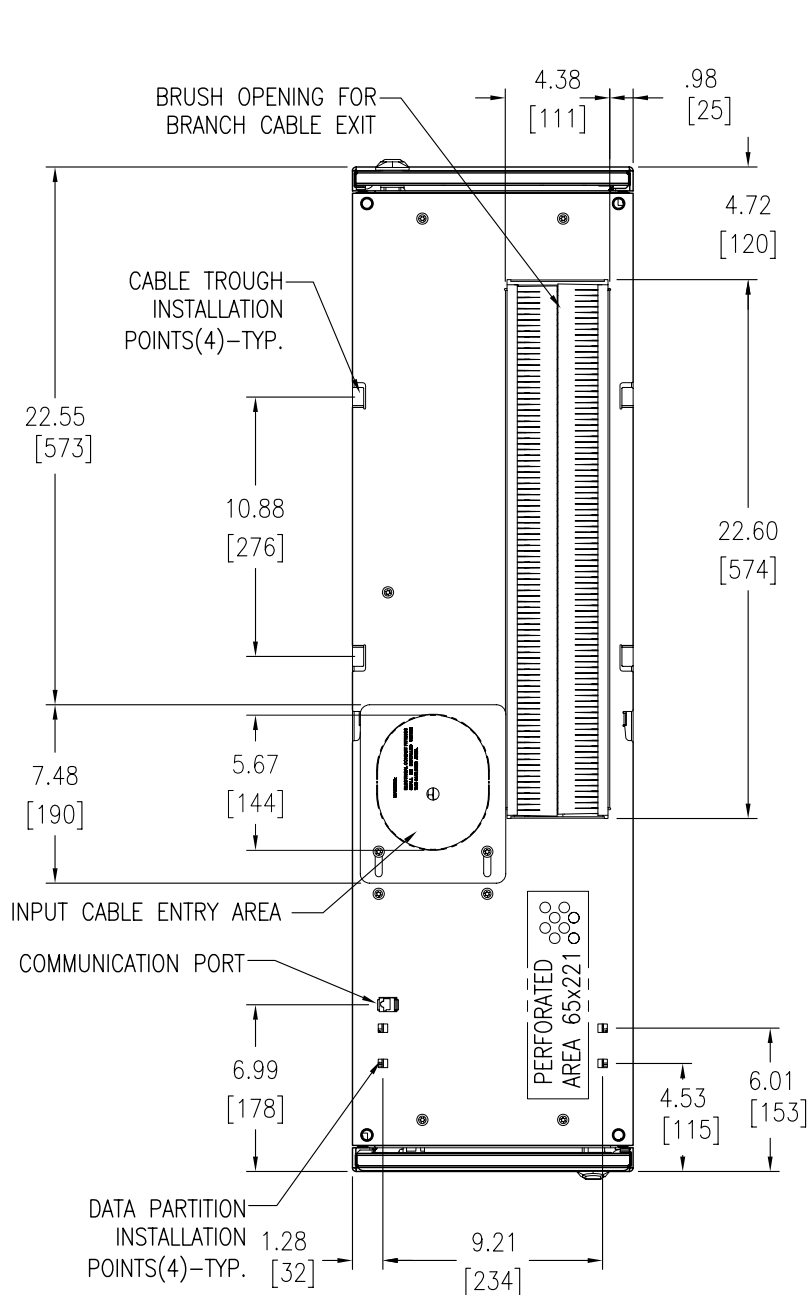
DRAWN BY: SURAJ P 16-MAR-12

ENGINEER: M.UHRAN 19-MAR-12

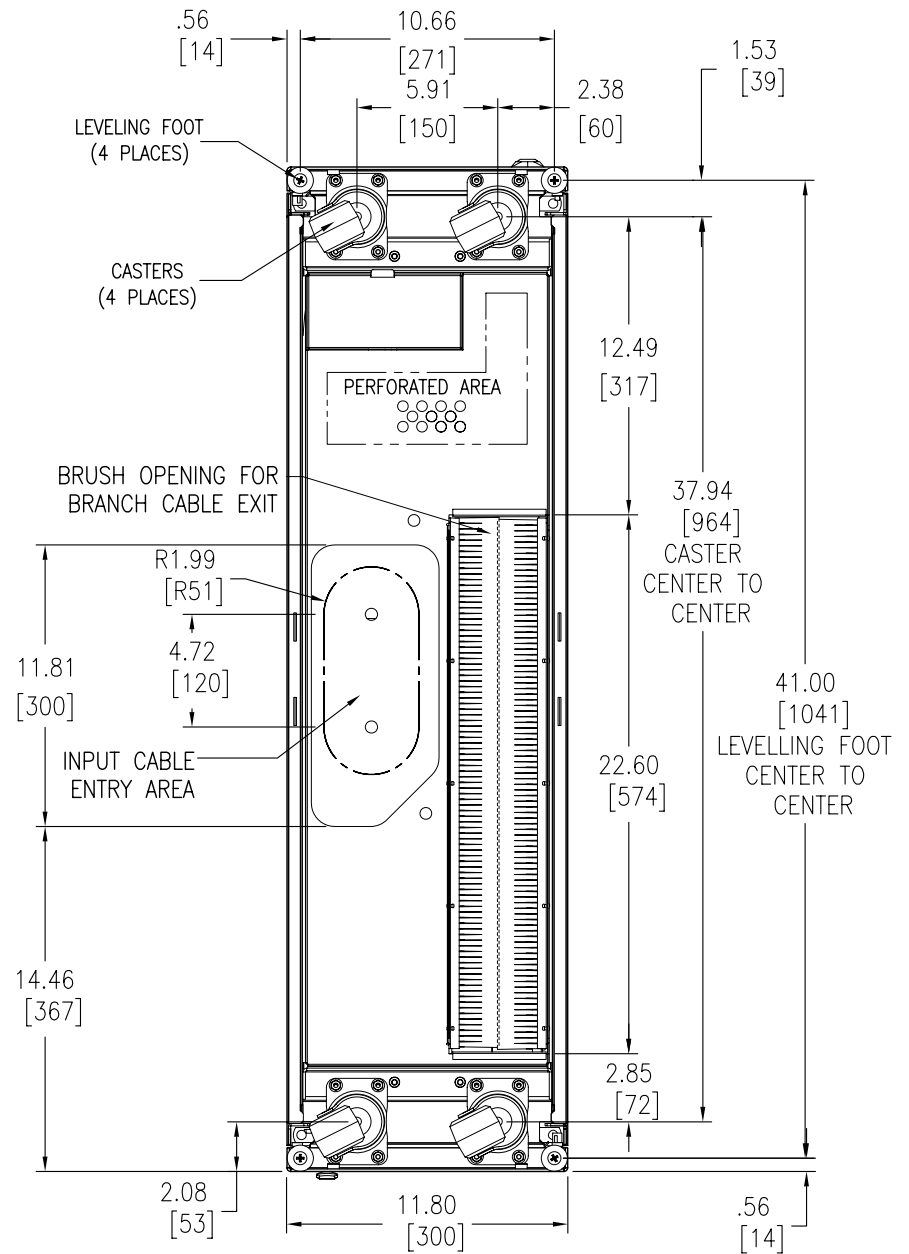
APPROVED BY: B.SHERIDAN 19-MAR-12

REV: 0

THIRD ANGLE PROJECTION



TOP VIEW



BOTTOM VIEW

NOTES:

- 1.INSTALLATION SHALL COMPLY WITH ALL APPLICABLE NATIONAL, STATE AND LOCAL CODES.
- 2.PLEASE REFER TO PRODUCT MANUALS PRIOR TO INSTALLATION AND SITE PREPARATION WORK FOR FURTHER DETAILS.
- 3.ALL DIMENSIONS ARE IN INCHES [MILLIMETERS], UNLESS OTHERWISE SPECIFIED.

THIS DRAWING AND SPECIFICATIONS HEREIN ARE THE PROPERTY OF SCHNEIDER ELECTRIC AND SHALL NOT BE COPIED, REPRODUCED OR USED IN WHOLE OR IN PART, AS THE BASIS FOR THE MANUFACTURE OR SALE OF ITEMS WITHOUT WRITTEN PERMISSION FROM SCHNEIDER ELECTRIC. THIS DRAWING IS BASED UPON LATEST AVAILABLE INFORMATION AND IS SUBJECT TO CHANGE WITHOUT NOTICE.



TITLE: MODULAR POWER DISTRIBUTION
MODULAR REMOTE POWER PANEL
Input: 208V, 3PH, 60Hz
Output: 208V, 3PH, 60Hz, 72 POLE
TOP & BOTTOM VIEW

DWG NO: PDPM144F

REV. 0

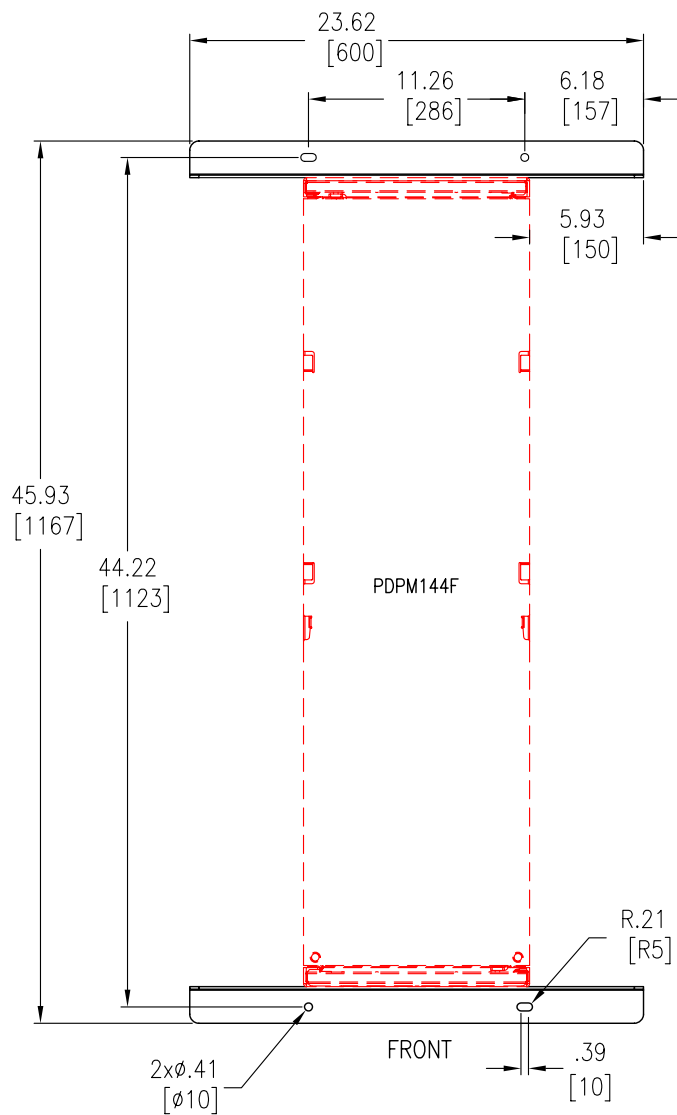
DRAWN BY: SURAJ P 16-MAR-12

ENGINEER: M.UHRAN 19-MAR-12

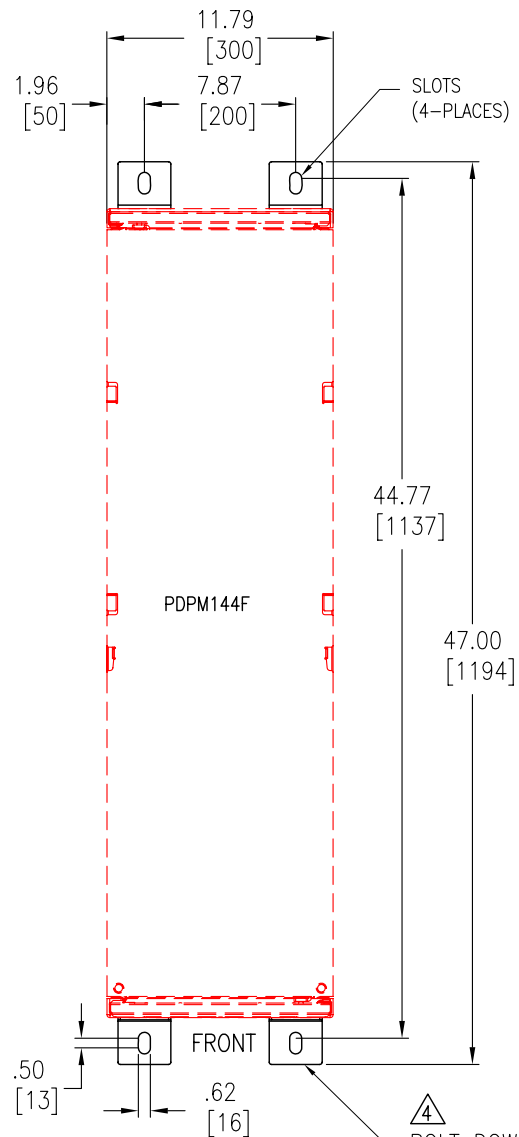
PROJECT: DRAWINGS SHEET 5 OF 9

APPROVED BY: B.SHERIDAN 19-MAR-12

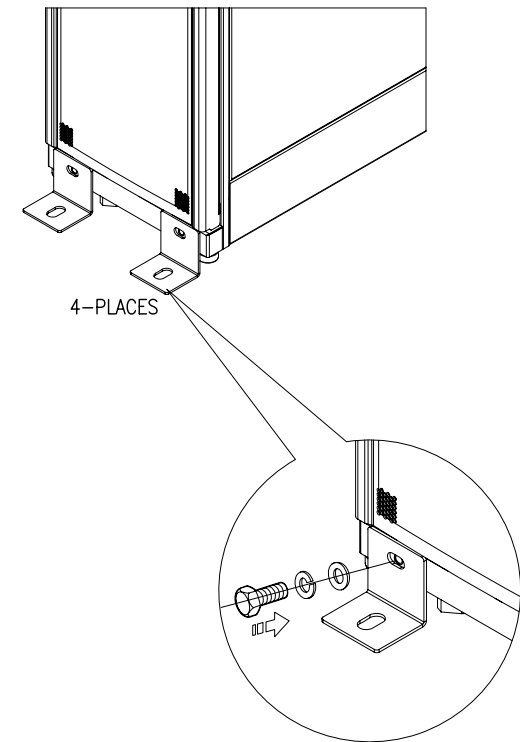
THIRD ANGLE PROJECTION



TOP VIEW
(ANCHORING DETAILS
WITH STABILIZING BRACKET)



TOP VIEW
(BOLT DOWN BRACKETS
MOUNTING HOLE LOCATIONS)



ISOMETRIC VIEW
(BOLT DOWN BRACKETS
MOUNTING DETAIL)

NOTES:

1. INSTALLATION SHALL COMPLY WITH ALL APPLICABLE NATIONAL, STATE AND LOCAL CODES.
2. PLEASE REFER TO PRODUCT MANUALS PRIOR TO INSTALLATION AND SITE PREPARATION WORK FOR FURTHER DETAILS.
3. ALL DIMENSIONS ARE IN INCHES [MILLIMETERS]. UNLESS OTHERWISE SPECIFIED.
- △ 4. TO STABILIZE THE ENCLOSURE (IF IT IS NOT JOINED WITH ANOTHER COMPONENT) USE THE INCLUDED AR7701 BOLT-DOWN KIT. ATTACH THE BRACKETS TO THE UNIT AS SHOWN. USE CODE COMPLIANT FASTENERS TO SECURE THE UNIT TO THE FLOOR.

THIS DRAWING AND SPECIFICATIONS HEREIN ARE THE PROPERTY OF SCHNEIDER ELECTRIC AND SHALL NOT BE COPIED, REPRODUCED OR USED IN WHOLE OR IN PART, AS THE BASIS FOR THE MANUFACTURE OR SALE OF ITEMS WITHOUT WRITTEN PERMISSION FROM SCHNEIDER ELECTRIC. THIS DRAWING IS BASED UPON LATEST AVAILABLE INFORMATION AND IS SUBJECT TO CHANGE WITHOUT NOTICE.

**Schneider
Electric**

TITLE: MODULAR POWER DISTRIBUTION
MODULAR REMOTE POWER PANEL
Input: 208V, 3PH, 60Hz
Output: 208V, 3PH, 60Hz, 72 POLE
ANCHORING DETAILS

DWG NO: PDPM144F

REV. 0

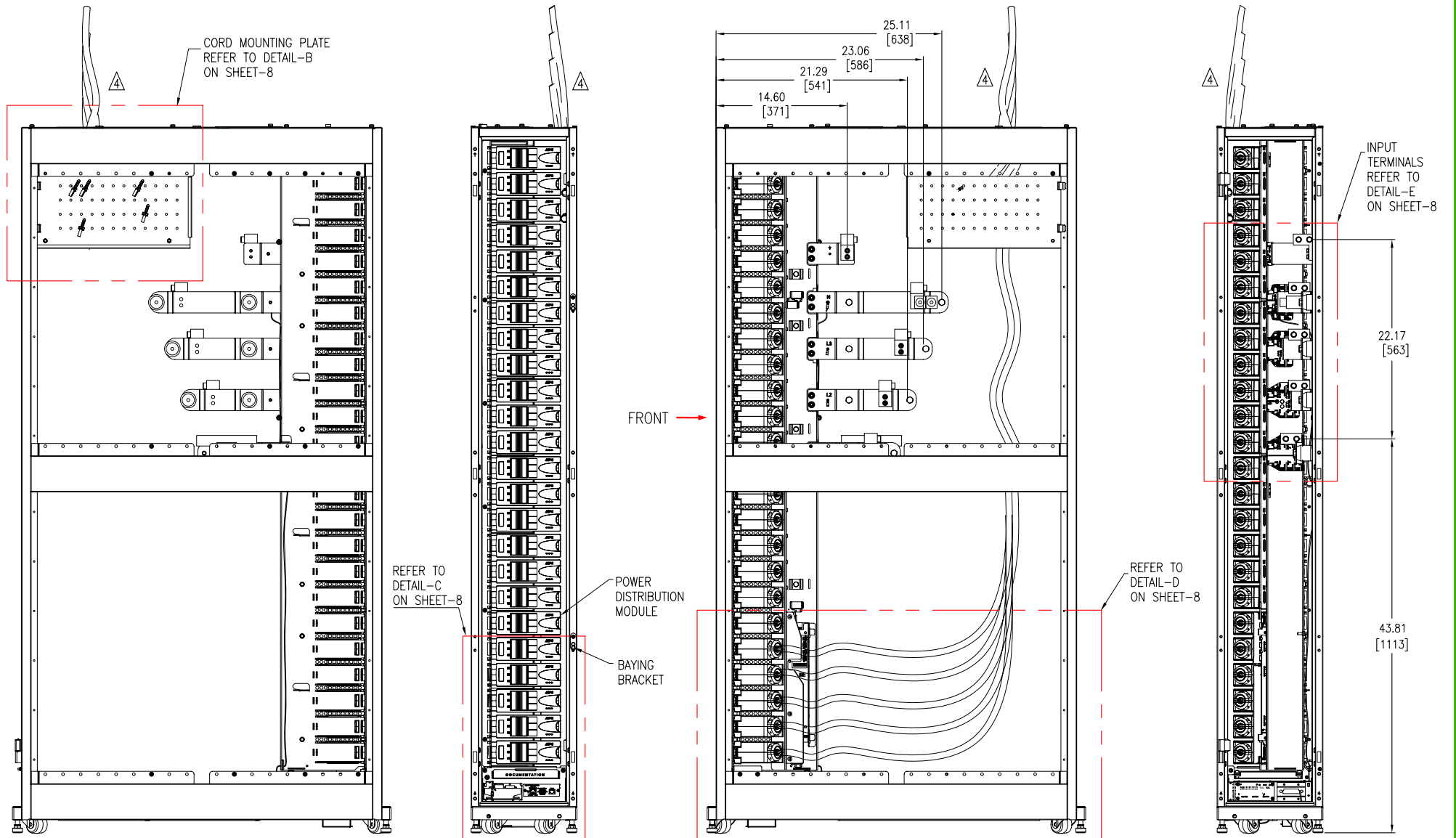
DRAWN BY: SURAJ P 16-MAR-12

ENGINEER: M.UHRAN 19-MAR-12

PROJECT: DRAWINGS SHEET 6 OF 9

APPROVED BY: B.SHERIDAN 19-MAR-12

THIRD
ANGLE
PROJECTION



LEFT SIDE VIEW
(CABLES NOT SHOWN)

FRONT VIEW

RIGHT SIDE VIEW
(CABLES SHOWN FOR
FEW MODULES ONLY)

REAR VIEW

NOTES:

1. INSTALLATION SHALL COMPLY WITH ALL APPLICABLE NATIONAL, STATE AND LOCAL CODES.
2. PLEASE REFER TO PRODUCT MANUALS PRIOR TO INSTALLATION AND SITE PREPARATION WORK FOR FURTHER DETAILS.
3. ALL DIMENSIONS ARE IN INCHES [MILLIMETERS]. UNLESS OTHERWISE SPECIFIED.

△4. ALL POWER DISTRIBUTION MODULES AND EXTENDER CABLES ARE NOT PART OF THIS SKU AND ARE ORDERED SEPARATELY.

5. SOME STRUCTURAL DETAILS HAVE BEEN OMITTED FOR THE PURPOSE OF CLARITY.

THIS DRAWING AND SPECIFICATIONS HEREIN ARE THE PROPERTY OF SCHNEIDER ELECTRIC AND SHALL NOT BE COPIED, REPRODUCED OR USED IN WHOLE OR IN PART, AS THE BASIS FOR THE MANUFACTURE OR SALE OF ITEMS WITHOUT WRITTEN PERMISSION FROM SCHNEIDER ELECTRIC. THIS DRAWING IS BASED UPON LATEST AVAILABLE INFORMATION AND IS SUBJECT TO CHANGE WITHOUT NOTICE.

**Schneider
Electric**

TITLE: MODULAR POWER DISTRIBUTION
MODULAR REMOTE POWER PANEL
Input: 208V, 3PH, 60Hz
Output: 208V, 3PH, 60Hz, 72 POLE
INTERNAL VIEW

DWG NO: PDPM144F REV. 0

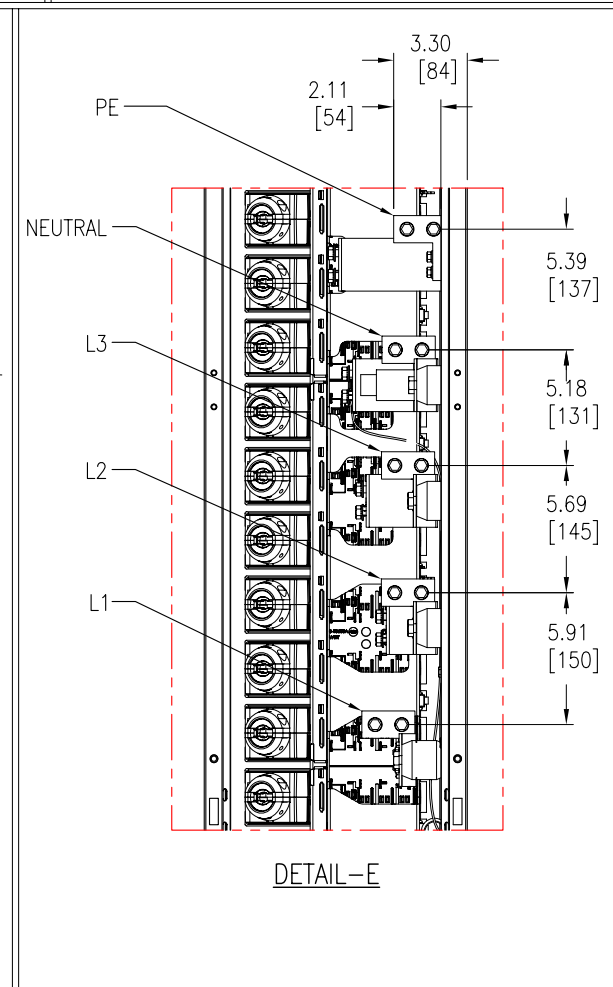
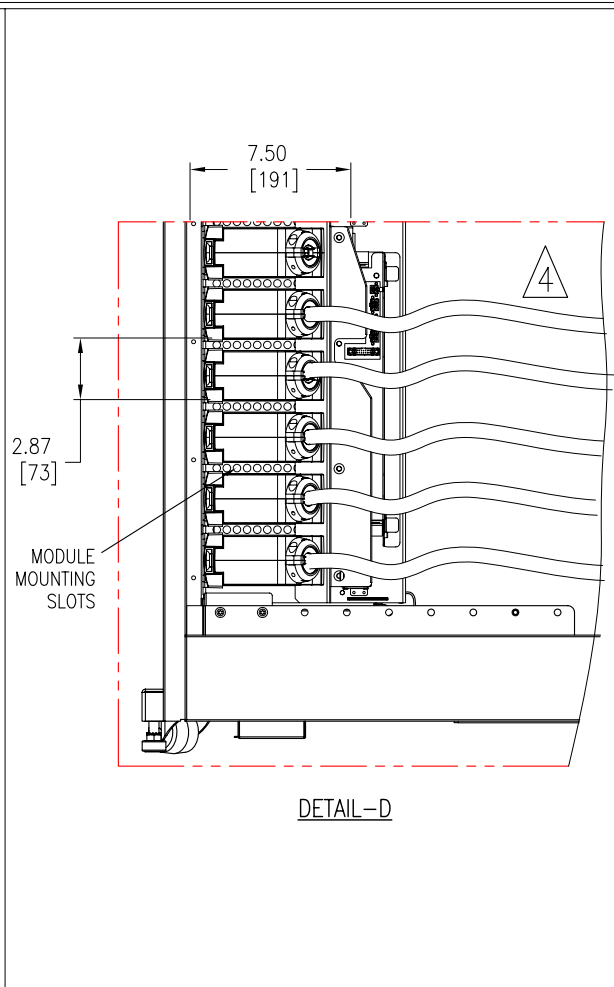
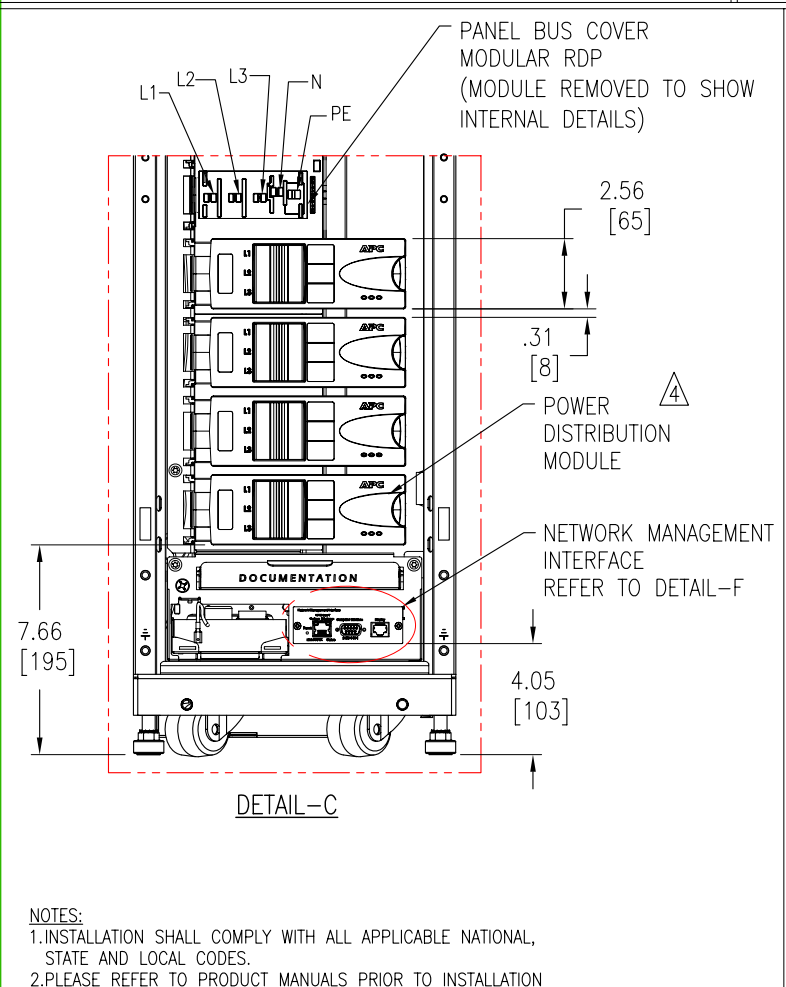
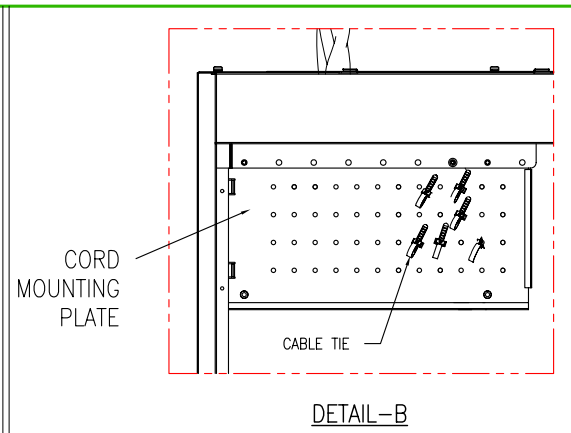
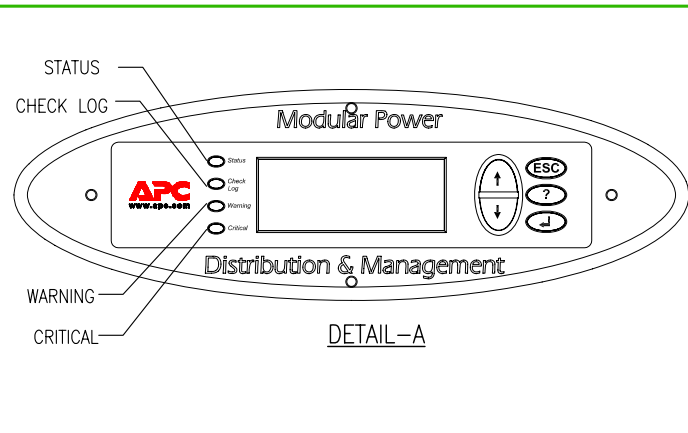
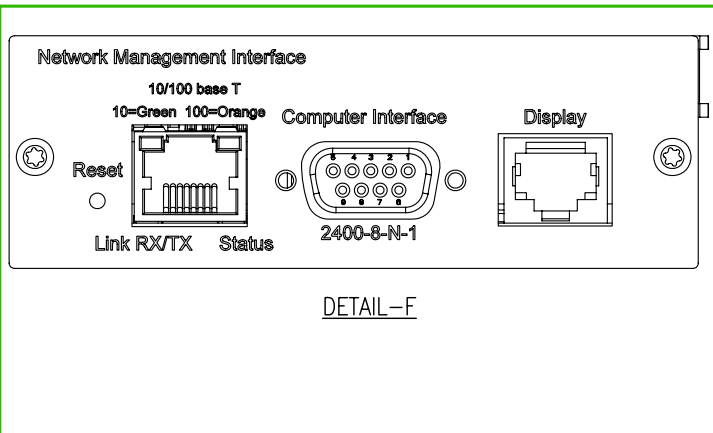
DRAWN BY: SURAJ P 16-MAR-12

ENGINEER: M.UHRAN 19-MAR-12

PROJECT: DRAWINGS SHEET 7 OF 9

APPROVED BY: B.SHERIDAN 19-MAR-12

THIRD
ANGLE
PROJECTION



NOTES:

1. INSTALLATION SHALL COMPLY WITH ALL APPLICABLE NATIONAL, STATE AND LOCAL CODES.
2. PLEASE REFER TO PRODUCT MANUALS PRIOR TO INSTALLATION AND SITE PREPARATION WORK FOR FURTHER DETAILS.
3. ALL DIMENSIONS ARE IN INCHES [MILLIMETERS], UNLESS OTHERWISE SPECIFIED.
- △ 4. ALL POWER DISTRIBUTION MODULES AND EXTENDER CABLES ARE NOT PART OF THIS SKU AND ARE ORDERED SEPARATELY.

THIS DRAWING AND SPECIFICATIONS HEREIN ARE THE PROPERTY OF SCHNEIDER ELECTRIC AND SHALL NOT BE COPIED, REPRODUCED OR USED IN WHOLE OR IN PART, AS THE BASIS FOR THE MANUFACTURE OR SALE OF ITEMS WITHOUT WRITTEN PERMISSION FROM SCHNEIDER ELECTRIC. THIS DRAWING IS BASED UPON LATEST AVAILABLE INFORMATION AND IS SUBJECT TO CHANGE WITHOUT NOTICE.



TITLE: MODULAR POWER DISTRIBUTION
MODULAR REMOTE POWER PANEL
Input: 208V, 3PH, 60Hz
Output: 208V, 3PH, 60Hz, 72 POLE
INTERNAL DETAILS, USER INTERFACE & NMC

PROJECT: DRAWINGS **SHEET** 8 OF 9

DWG NO: PDPM144F **REV:** 0

DRAWN BY: SURAJ P 16-MAR-12 **THIRD ANGLE PROJECTION**

ENGINEER: M.UHRAN 19-MAR-12

APPROVED BY: B.SHERIDAN 19-MAR-12

LEGEND:	----- AC CABLE - PROVIDED BY OTHERS.
	———— AC BUS

PRODUCT RATING		
DEVICE	NOMINAL CURRENT	RATED SHORT CIRCUIT CURRENT
PDPM INPUT	400A	10kA SYMMETRICAL
PDPM OUTPUT	400A	10kA SYMMETRICAL

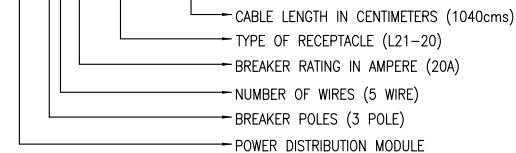
DISTRIBUTION DETAILS					
DEVICE ID	RATING	TYPE	MAKE	MODEL	RATED SHORT CIRCUIT CURRENT
CB-1	4A/5A	3 POLE BREAKER	SQUARE D by Schneider Electric	M9F53304/MGN61426	10kA SYMMETRICAL
MODULE-X	20A	POWER DISTRIBUTION MODULE 3POLE BREAKER, 3 ϕ 5WIRE CABLE WITH L21-20 RECEPTACLE	Schneider Electric	SEE NOTE 8	10kA SYMMETRICAL

NOTES:

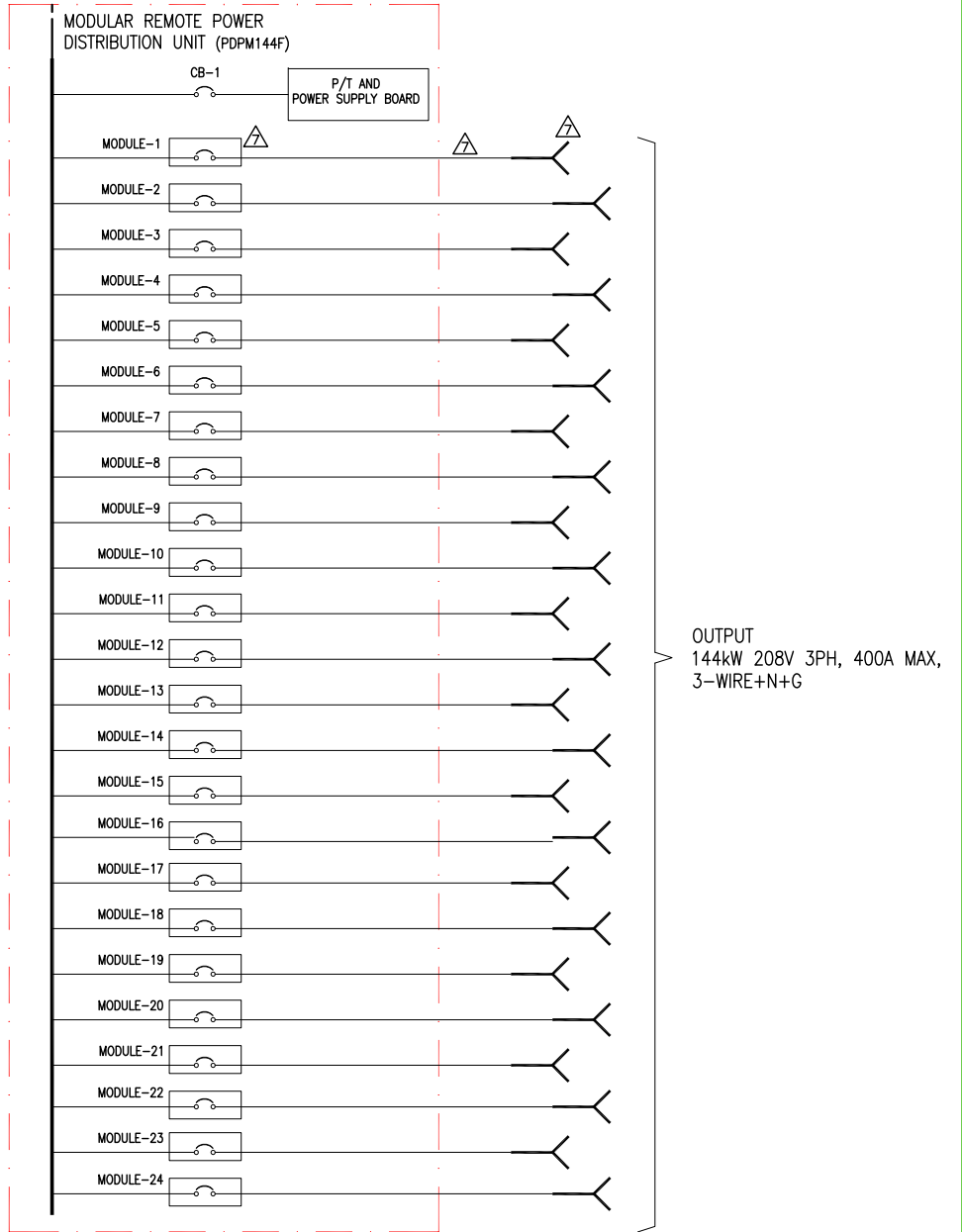
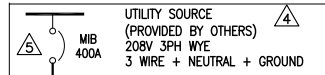
- INSTALLATION SHALL COMPLY WITH ALL APPLICABLE NATIONAL, STATE AND LOCAL CODES.
- PLEASE REFER TO PRODUCT MANUALS PRIOR TO INSTALLATION AND SITE PREPARATION WORK FOR FURTHER DETAILS.
- DRAWING DEPICTS POWER SYSTEM CONNECTIONS AND IS NOT REPRESENTATIVE OF PHYSICAL LAYOUT, PLEASE REFER TO MECHANICAL DRAWINGS FOR PHYSICAL LAYOUT.
- AC SOURCE TO BE 208VAC 3PH WYE 3 WIRE + NEUTRAL + GROUND (PROVIDED BY OTHERS).
- INPUT BREAKER IS 100% RATED
- ALL AC POWER CABLING TO BE 600V RATED, 3 WIRE + NEUTRAL + GROUND.
- ALL POWER DISTRIBUTION MODULES ARE NOT PART OF THIS SKU AND ARE ORDERED SEPARATELY. PLEASE CONTACT SCHNEIDER ELECTRIC.
- MAXIMUM 24 MODULES PER SKU. SEE CHART WITH MODULE OPTIONS. PLEASE CONTACT SCHNEIDER ELECTRIC FOR LATEST LIST OF MODULE OPTIONS.

SKU Number	
20A- BREAKER, L2120 CONNECTOR WITH #12 AWG CABLE	30A- BREAKER, L2130 CONNECTOR WITH #10 AWG CABLE
PDM3520L2120-80	PDM3520L2130-80
PDM3520L2120-140	PDM3520L2130-140
PDM3520L2120-200	PDM3520L2130-200
PDM3520L2120-260	PDM3520L2130-260
PDM3520L2120-320	PDM3520L2130-320
PDM3520L2120-380	PDM3520L2130-380
PDM3520L2120-440	PDM3520L2130-440
PDM3520L2120-500	PDM3520L2130-500
PDM3520L2120-560	PDM3520L2130-560
PDM3520L2120-620	PDM3520L2130-620
PDM3520L2120-680	PDM3520L2130-680
PDM3520L2120-740	PDM3520L2130-740
PDM3520L2120-800	PDM3520L2130-800
PDM3520L2120-860	PDM3520L2130-860
PDM3520L2120-920	PDM3520L2130-920
PDM3520L2120-980	PDM3520L2130-980
PDM3520L2120-1040	PDM3520L2130-1040
PDM3520L2120-1680	PDM3520L2130-1680

PDM3520L2120-1040



THIS DRAWING AND SPECIFICATIONS HEREIN ARE THE PROPERTY OF SCHNEIDER ELECTRIC AND SHALL NOT BE COPIED, REPRODUCED OR USED IN WHOLE OR IN PART, AS THE BASIS FOR THE MANUFACTURE OR SALE OF ITEMS WITHOUT WRITTEN PERMISSION FROM SCHNEIDER ELECTRIC. THIS DRAWING IS BASED UPON LATEST AVAILABLE INFORMATION AND IS SUBJECT TO CHANGE WITHOUT NOTICE.



TITLE: MODULAR POWER DISTRIBUTION MODULAR REMOTE POWER PANEL
 Input: 208V, 3PH, 60Hz
 Output: 208V, 3PH, 60Hz, 72 POLE
 SYSTEM ONLE LINE DIAGRAM

DWG NO: PDPM144F	REV: 1
DRAWN BY: SURAJ P	05-AUG-19
ENGINEER: M.WEISENBLOOM/J. KRAMER	05-AUG-19
APPROVED BY: B.SHERIDAN	05-AUG-19
PROJECT: DRAWINGS	SHEET: 9 OF 9
PROJECTION: ANGLE	NA