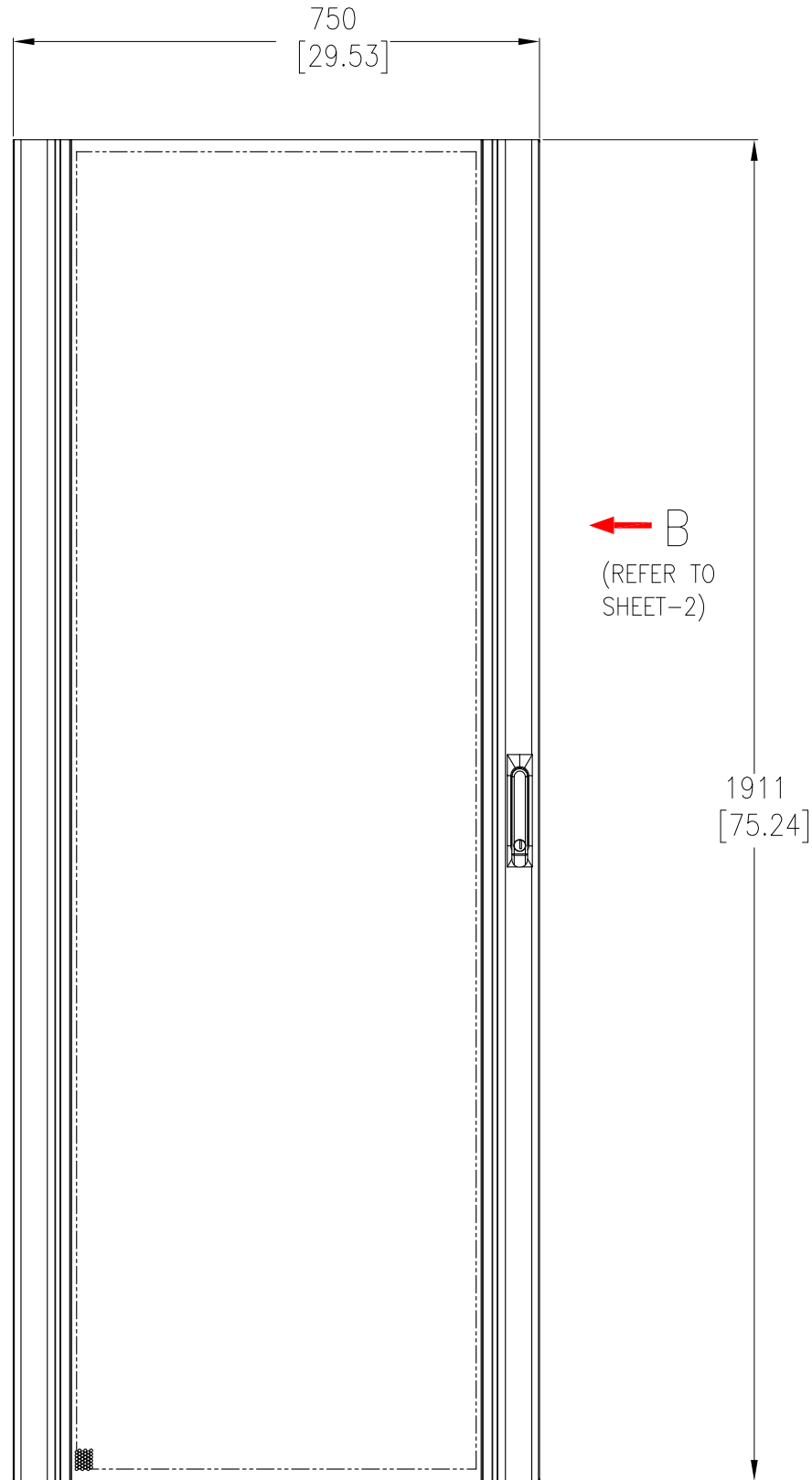


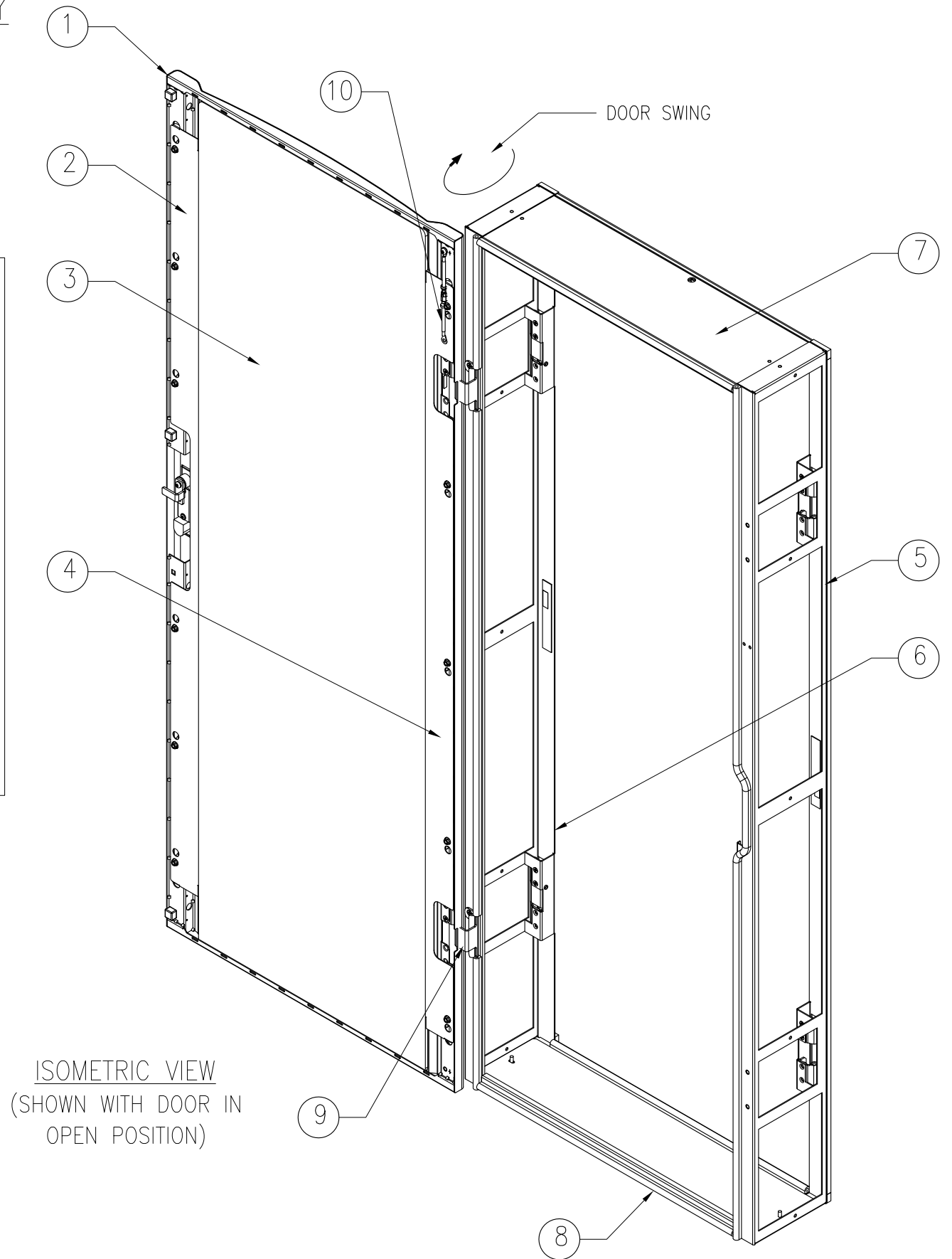
↓ A (REFER TO SHEET-2)



FRONT VIEW

ASSEMBLY

- ① DOOR-NETSHELTER SX (NOT SUPPLIED WITH THIS SKU)
- ② BRACKET INSERT, LATCH SIDE
- ③ LEXAN INSERT-FRONT DOOR
- ④ BRACKET INSERT, HINGE SIDE
- ⑤ RIGHT SIDE PLENUM
- ⑥ LEFT SIDE PLENUM
- ⑦ TOP PLENUM
- ⑧ BOTTOM PLENUM
- ⑨ HINGES
- ⑩ GROUND WIRE



ISOMETRIC VIEW
(SHOWN WITH DOOR IN OPEN POSITION)

NOTES:

1. INSTALLATION SHALL COMPLY WITH ALL APPLICABLE NATIONAL, STATE AND LOCAL CODES.
2. PLEASE REFER TO PRODUCT DOCUMENTATION FOR FURTHER INFORMATION.
3. UNLESS OTHERWISE SPECIFIED, ALL DIMENSIONS ARE IN MILLIMETERS [INCHES].
4. NET WEIGHT OF THE UNIT IS 28.33 kg [62.00 lbs].

THIS DRAWING AND SPECIFICATIONS HEREIN ARE THE PROPERTY OF SCHNEIDER ELECTRIC AND SHALL NOT BE COPIED, REPRODUCED OR USED IN WHOLE OR IN PART, AS THE BASIS FOR THE MANUFACTURE OR SALE OF ITEMS WITHOUT WRITTEN PERMISSION FROM SCHNEIDER ELECTRIC. THIS DRAWING IS BASED UPON LATEST AVAILABLE INFORMATION AND IS SUBJECT TO CHANGE WITHOUT NOTICE.

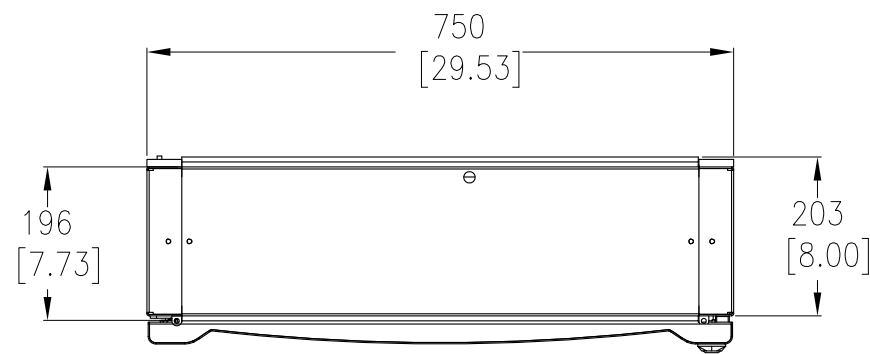


TITLE: RACK AIR CONTAINMENT SYSTEM
FRONT ASSEMBLY FOR
NETSHELTER SX, 42U, 750mm WIDE
ASSEMBLY

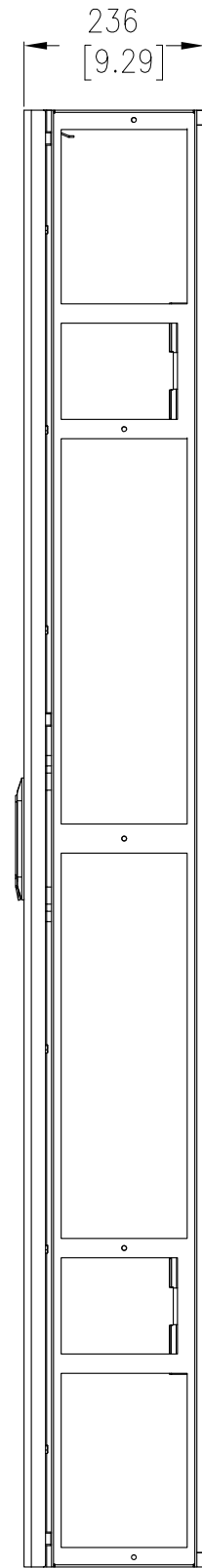
PROJECT: STD SUBMITTAL DRAWING SHEET: 1 OF 6

DWG NO: ACCS1007

DRAWN: K NAGENDRA/S CUNHA	26-SEP-14	REV. 1
ENGINEER: C IVEY/M BROWN	26-SEP-14	PROJ ANGLE N/A
APPROVED: C COMBES/C ZALDARAK/KULAS WASH	26-SEP-14	

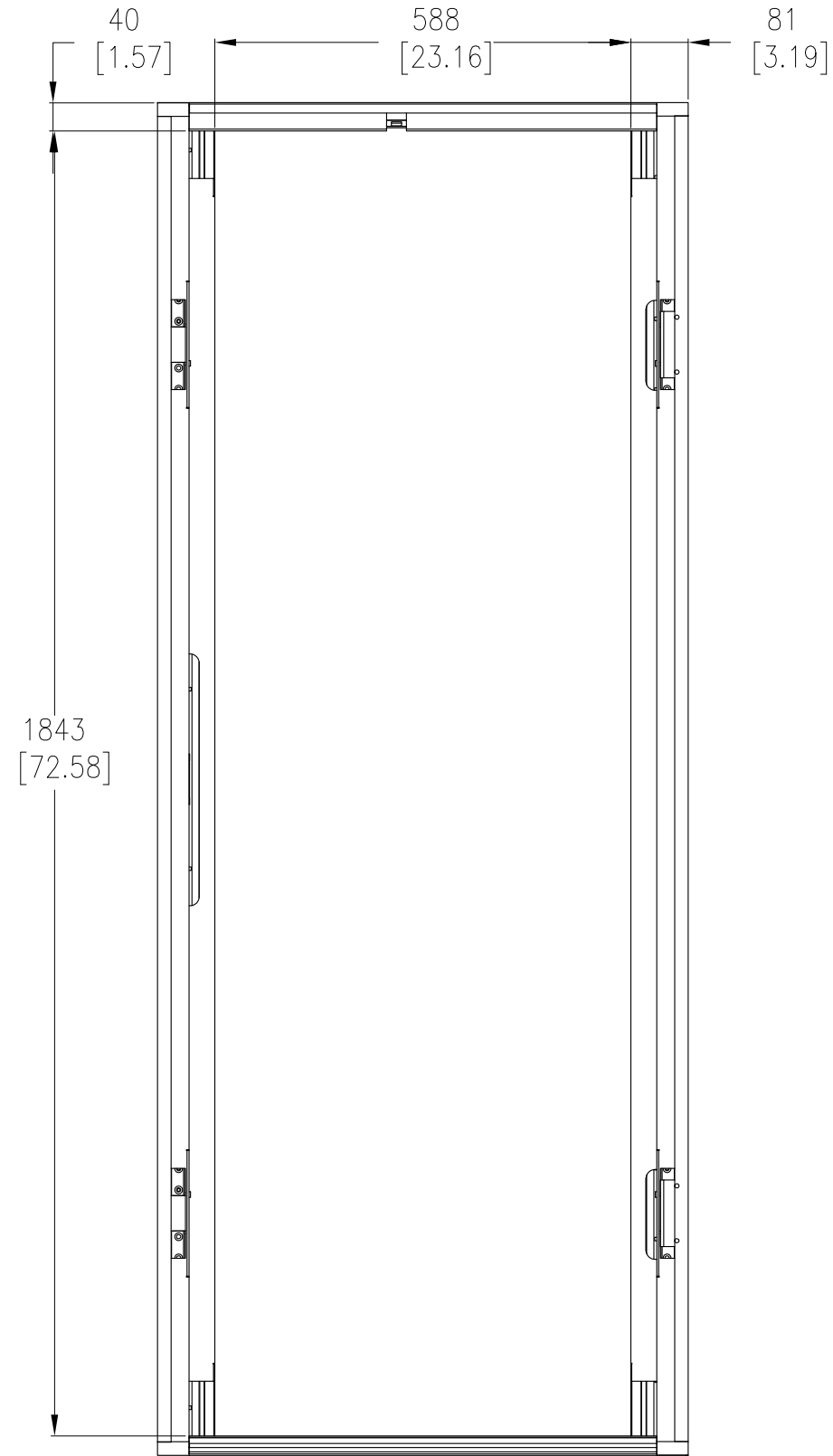


VIEW-A

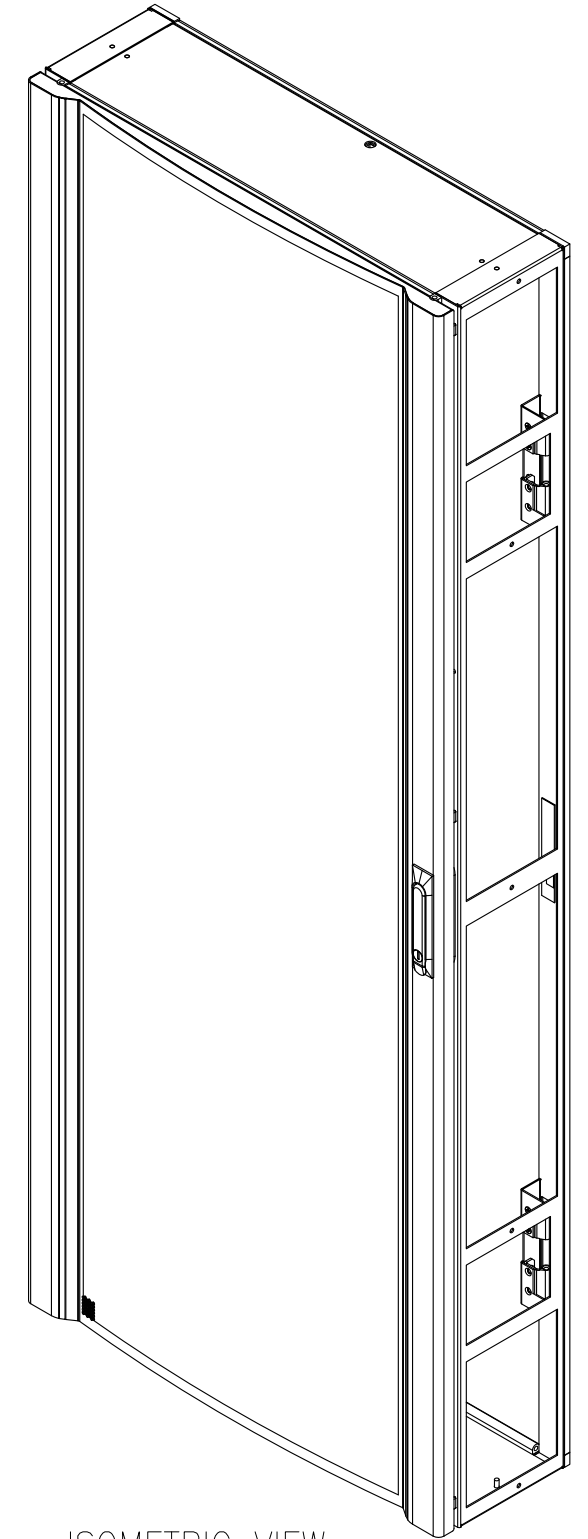


VIEW-B

ASSEMBLY



REAR VIEW



ISOMETRIC VIEW
(SHOWN WITH DOOR IN
CLOSED POSITION)

NOTES:

1. INSTALLATION SHALL COMPLY WITH ALL APPLICABLE NATIONAL, STATE AND LOCAL CODES.
2. PLEASE REFER TO PRODUCT DOCUMENTATION FOR FURTHER INFORMATION.
3. UNLESS OTHERWISE SPECIFIED, ALL DIMENSIONS ARE IN MILLIMETERS [INCHES].

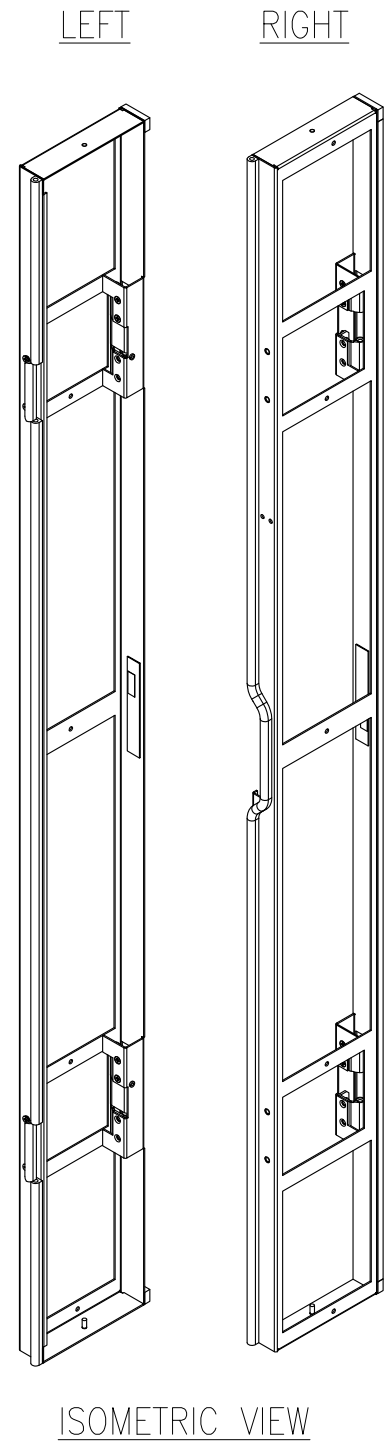
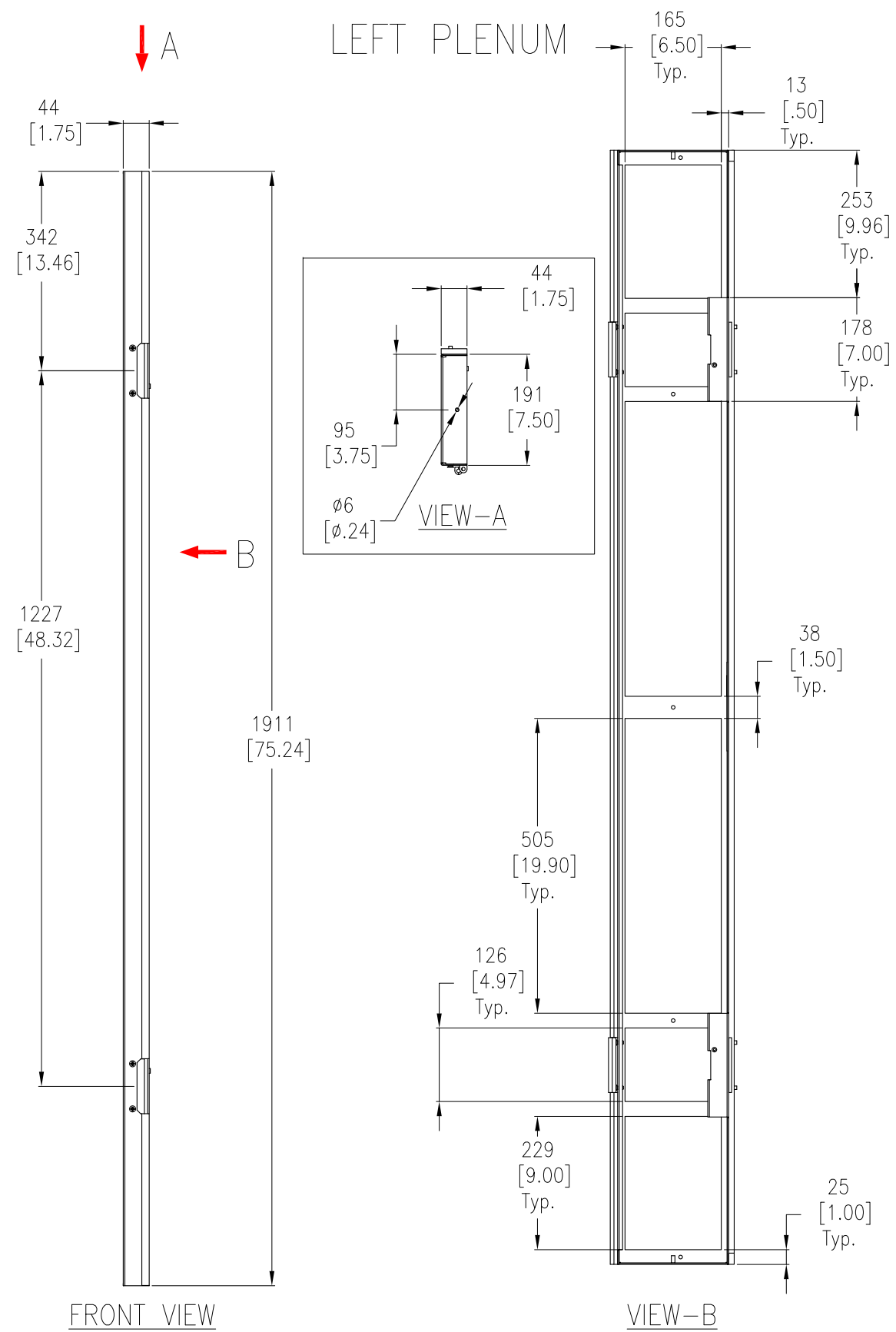
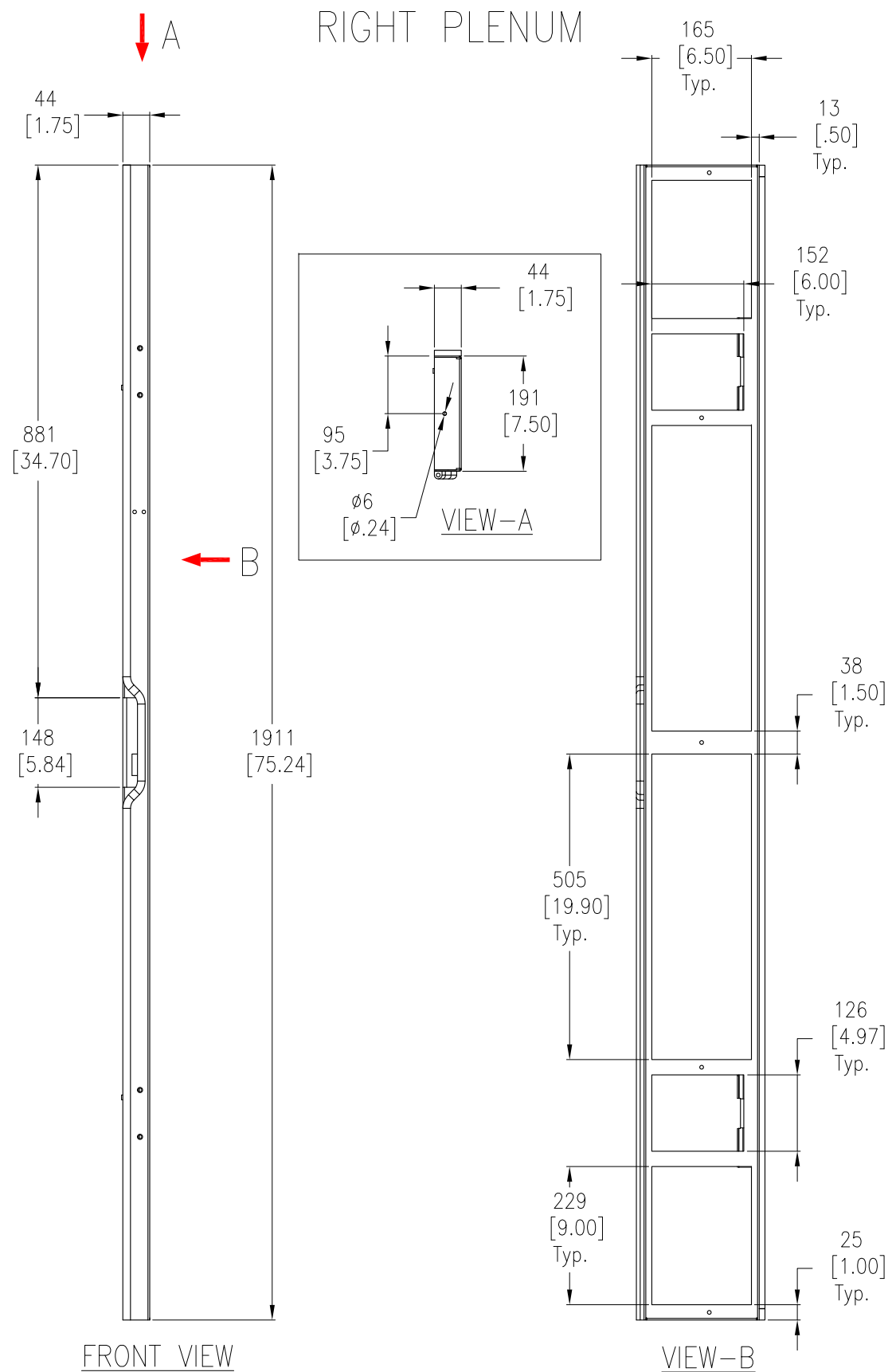
THIS DRAWING AND SPECIFICATIONS HEREIN ARE THE PROPERTY OF SCHNEIDER ELECTRIC AND SHALL NOT BE COPIED, REPRODUCED OR USED IN WHOLE OR IN PART, AS THE BASIS FOR THE MANUFACTURE OR SALE OF ITEMS WITHOUT WRITTEN PERMISSION FROM SCHNEIDER ELECTRIC. THIS DRAWING IS BASED UPON LATEST AVAILABLE INFORMATION AND IS SUBJECT TO CHANGE WITHOUT NOTICE.



TITLE: RACK AIR CONTAINMENT SYSTEM FRONT ASSEMBLY FOR NETSHELTER SX, 42U, 750mm WIDE ASSEMBLY DETAILS
PROJECT: STD SUBMITTAL DRAWING SHEET: 2 OF 6

DWG NO: ACCS1007
DRAWN: K NAGENDRA/S CUNHA 26-SEP-14
ENGINEER: C IVEY/M BROWN 26-SEP-14
APPROVED: C CUMMINS/C ZALDAR/A KULKAS WASH 26-SEP-14

REV. 1
PROJ ANGLE N/A



NOTES:

1. INSTALLATION SHALL COMPLY WITH ALL APPLICABLE NATIONAL, STATE AND LOCAL CODES.
2. PLEASE REFER TO PRODUCT DOCUMENTATION FOR FURTHER INFORMATION.
3. UNLESS OTHERWISE SPECIFIED, ALL DIMENSIONS ARE IN MILLIMETERS [INCHES].

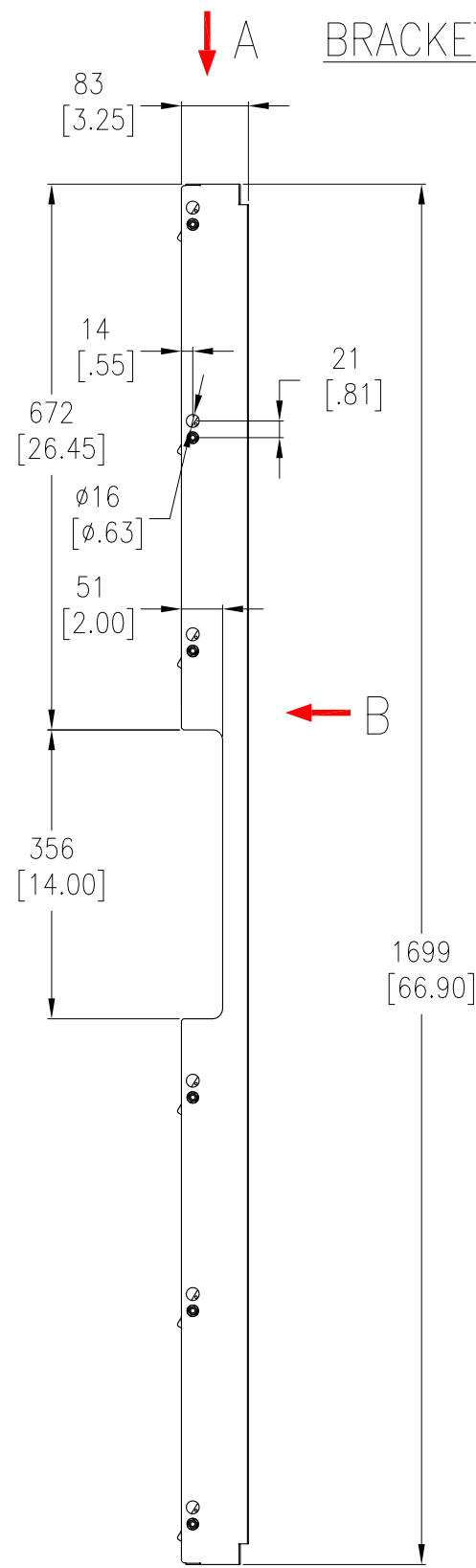
THIS DRAWING AND SPECIFICATIONS HEREIN ARE THE PROPERTY OF SCHNEIDER ELECTRIC AND SHALL NOT BE COPIED, REPRODUCED OR USED IN WHOLE OR IN PART, AS THE BASIS FOR THE MANUFACTURE OR SALE OF ITEMS WITHOUT WRITTEN PERMISSION FROM SCHNEIDER ELECTRIC. THIS DRAWING IS BASED UPON LATEST AVAILABLE INFORMATION AND IS SUBJECT TO CHANGE WITHOUT NOTICE.



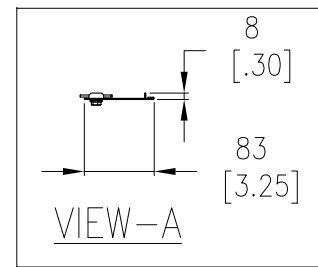
TITLE: RACK AIR CONTAINMENT SYSTEM FRONT ASSEMBLY FOR NETSHELTER SX, 42U, 750mm WIDE RIGHT & LEFT PLENUM
 PROJECT: STD SUBMITTAL DRAWING SHEET: 3 OF 6

DWG NO: **ACCS1007**
 DRAWN: K NAGENDRA/S CUNHA
 ENGINEER: C IVEY/M BROWN
 APPROVED: C GUMBIK/C ZALDAR/A KULAS WASH

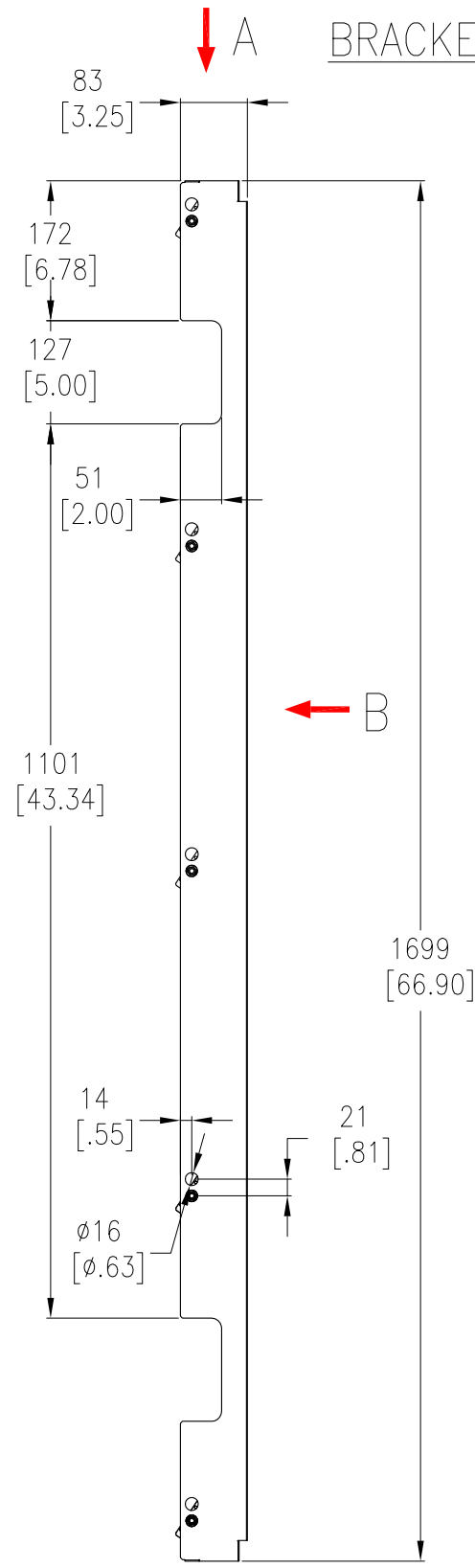
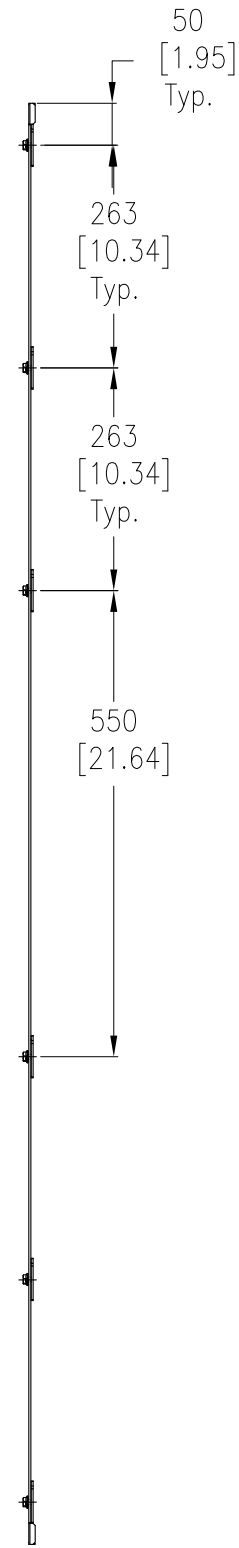
REV. 1
 PROJ ANGLE N/A



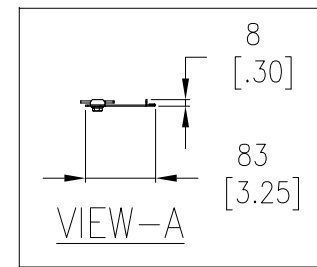
FRONT VIEW



VIEW-B



FRONT VIEW

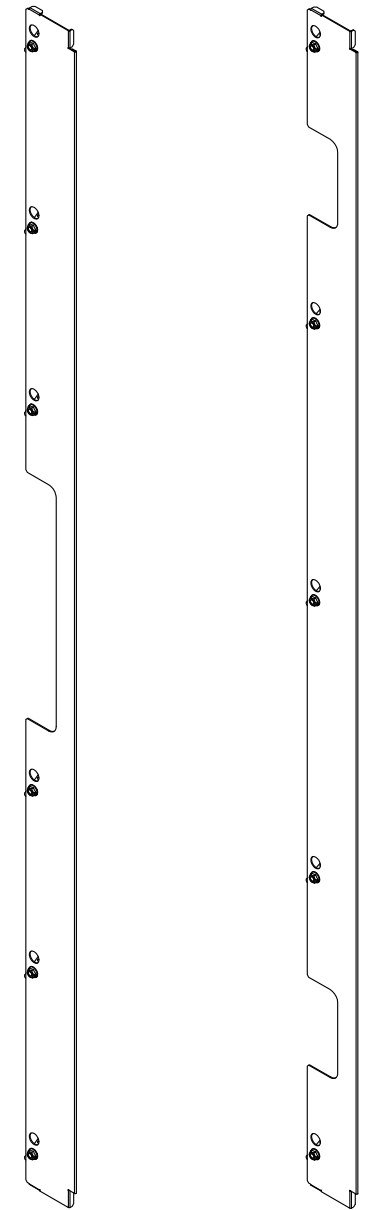


VIEW-B



Latch side

Hinge side



ISOMETRIC VIEW

NOTES:

1. INSTALLATION SHALL COMPLY WITH ALL APPLICABLE NATIONAL, STATE AND LOCAL CODES.
2. PLEASE REFER TO PRODUCT DOCUMENTATION FOR FURTHER INFORMATION.
3. UNLESS OTHERWISE SPECIFIED, ALL DIMENSIONS ARE IN MILLIMETERS [INCHES].

THIS DRAWING AND SPECIFICATIONS HEREIN ARE THE PROPERTY OF SCHNEIDER ELECTRIC AND SHALL NOT BE COPIED, REPRODUCED OR USED IN WHOLE OR IN PART, AS THE BASIS FOR THE MANUFACTURE OR SALE OF ITEMS WITHOUT WRITTEN PERMISSION FROM SCHNEIDER ELECTRIC. THIS DRAWING IS BASED UPON LATEST AVAILABLE INFORMATION AND IS SUBJECT TO CHANGE WITHOUT NOTICE.



TITLE: RACK AIR CONTAINMENT SYSTEM FRONT ASSEMBLY FOR NETSHELTER SX, 42U, 750mm WIDE BRACKET INSERT - LATCH & HINGE SIDE
 PROJECT: STD SUBMITTAL DRAWING SHEET: 4 OF 6

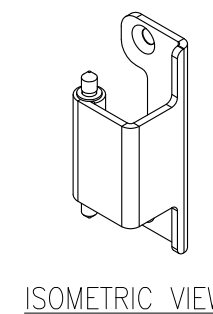
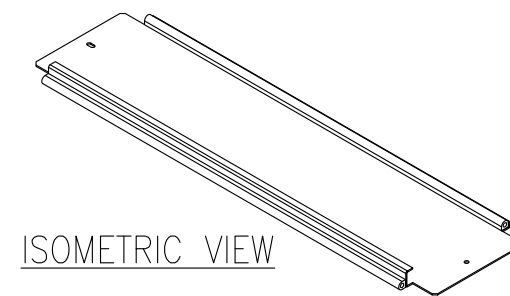
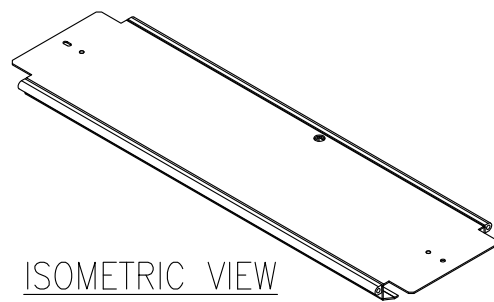
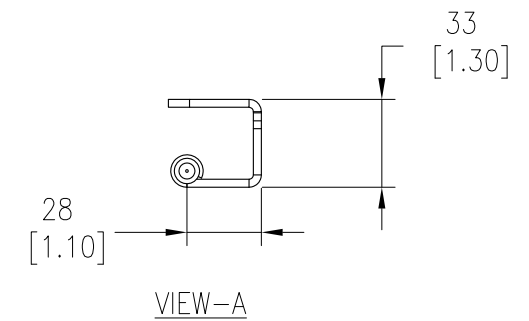
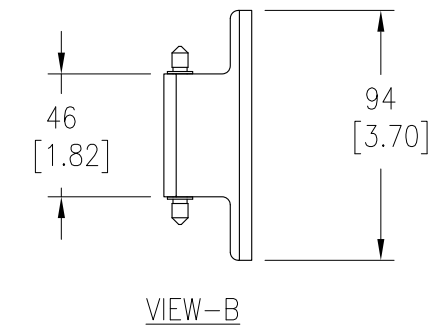
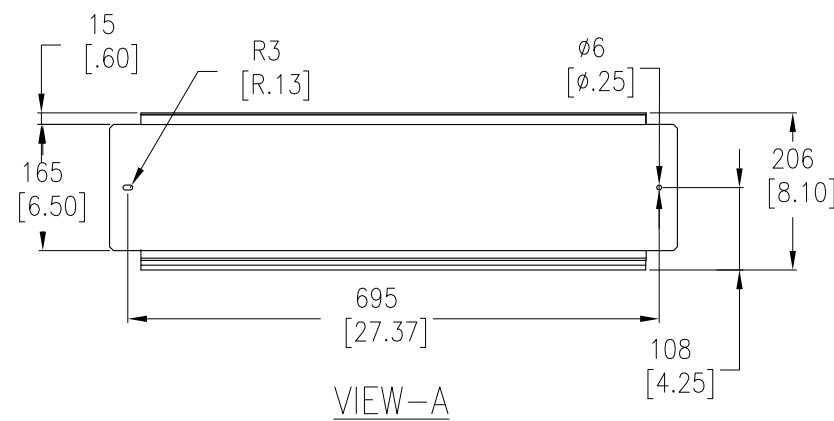
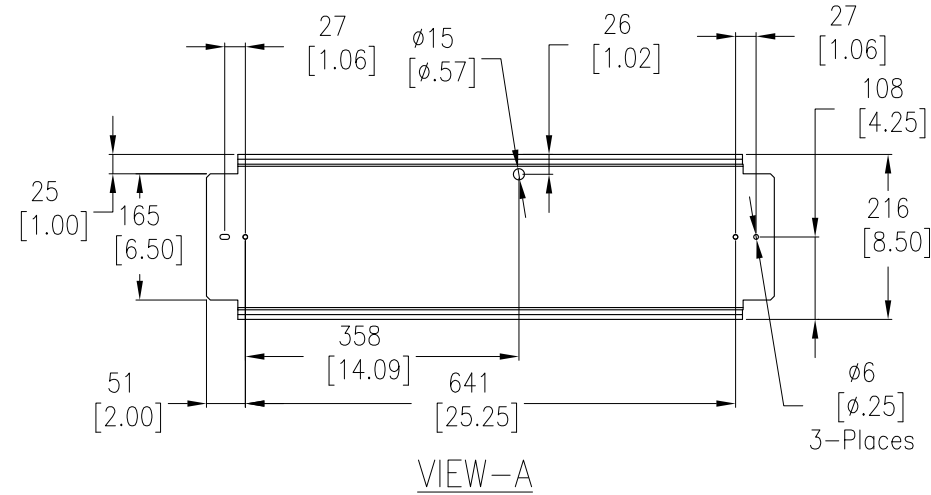
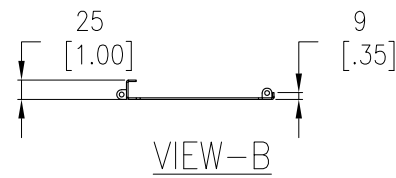
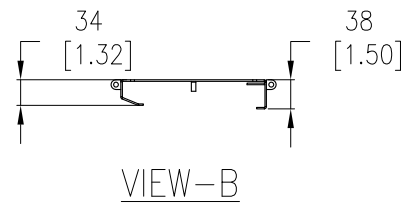
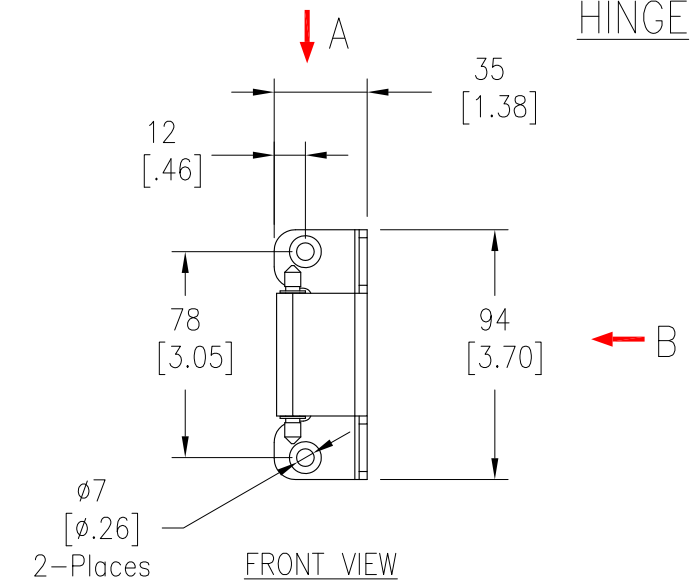
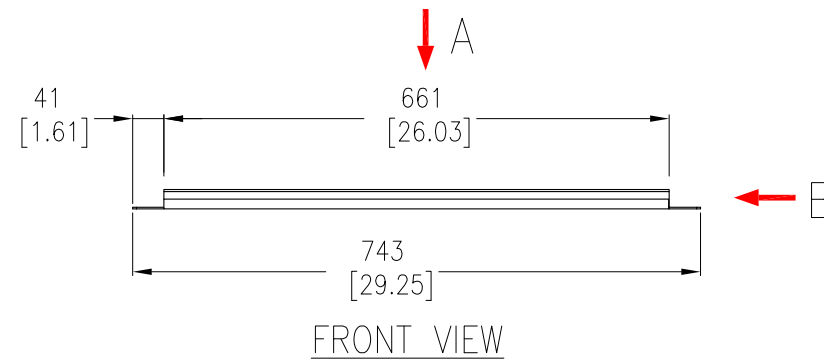
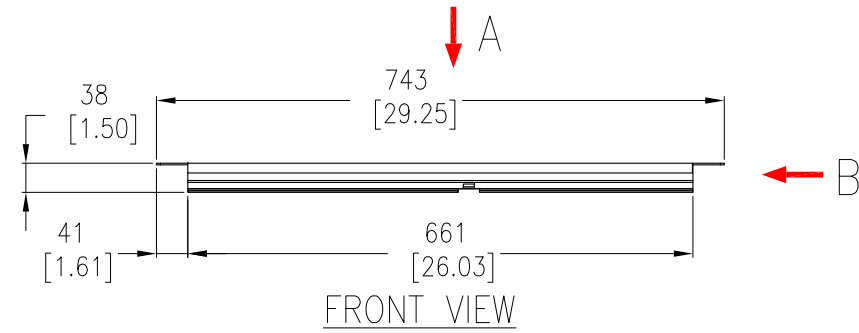
DWG NO: ACCS1007
 DRAWN: K NAGENDRA/S CUNHA 26-SEP-14
 ENGINEER: C IVEY/M BROWN 26-SEP-14
 APPROVED: C OUMBEY/C ZALDAR/A KUKLAS WASH 26-SEP-14

REV. 1
 PROJ ANGLE N/A

TOP PLENUM

BOTTOM PLENUM

HINGE



NOTES:

1. INSTALLATION SHALL COMPLY WITH ALL APPLICABLE NATIONAL, STATE AND LOCAL CODES.
2. PLEASE REFER TO PRODUCT DOCUMENTATION FOR FURTHER INFORMATION.
3. UNLESS OTHERWISE SPECIFIED, ALL DIMENSIONS ARE IN MILLIMETERS [INCHES].

THIS DRAWING AND SPECIFICATIONS HEREIN ARE THE PROPERTY OF SCHNEIDER ELECTRIC AND SHALL NOT BE COPIED, REPRODUCED OR USED IN WHOLE OR IN PART, AS THE BASIS FOR THE MANUFACTURE OR SALE OF ITEMS WITHOUT WRITTEN PERMISSION FROM SCHNEIDER ELECTRIC. THIS DRAWING IS BASED UPON LATEST AVAILABLE INFORMATION AND IS SUBJECT TO CHANGE WITHOUT NOTICE.



TITLE: RACK AIR CONTAINMENT SYSTEM FRONT ASSEMBLY FOR NETSHELTER SX, 42U, 750mm WIDE TOP & BOTTOM PLENUM & HINGE DETAILS
 PROJECT: STD SUBMITTAL DRAWING SHEET: 5 OF 6

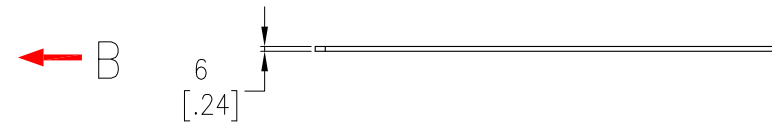
DWG NO: **ACCS1007** REV. 1
 DRAWN: K NAGENDRA/S CUNHA 26-SEP-14
 ENGINEER: C IVEY/M BROWN 26-SEP-14
 APPROVED: C CUMBS/EVC ZALDAR/A KUKLAS/WAGH 26-SEP-14

PROJ ANGLE N/A

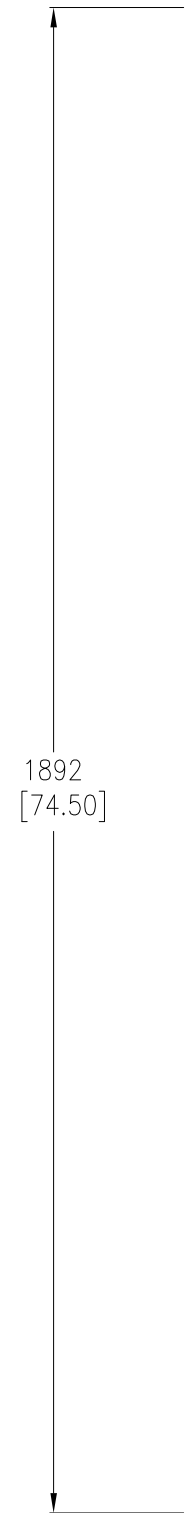
LEXAN INSERT-FRONT DOOR



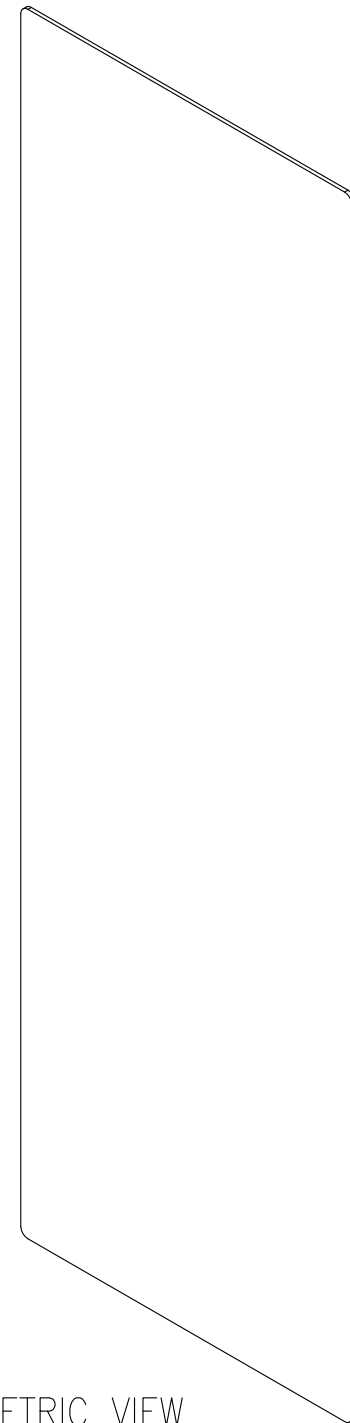
FRONT VIEW



VIEW-A



VIEW-B



ISOMETRIC VIEW

NOTES:

1. INSTALLATION SHALL COMPLY WITH ALL APPLICABLE NATIONAL, STATE AND LOCAL CODES.
2. PLEASE REFER TO PRODUCT DOCUMENTATION FOR FURTHER INFORMATION.
3. UNLESS OTHERWISE SPECIFIED, ALL DIMENSIONS ARE IN MILLIMETERS [INCHES].

THIS DRAWING AND SPECIFICATIONS HEREIN ARE THE PROPERTY OF SCHNEIDER ELECTRIC AND SHALL NOT BE COPIED, REPRODUCED OR USED IN WHOLE OR IN PART, AS THE BASIS FOR THE MANUFACTURE OR SALE OF ITEMS WITHOUT WRITTEN PERMISSION FROM SCHNEIDER ELECTRIC. THIS DRAWING IS BASED UPON LATEST AVAILABLE INFORMATION AND IS SUBJECT TO CHANGE WITHOUT NOTICE.



TITLE: RACK AIR CONTAINMENT SYSTEM
FRONT ASSEMBLY FOR
NETSHELTER SX, 42U, 750mm WIDE
LEXAN INSERT - FRONT DOOR

PROJECT: STD SUBMITTAL DRAWING SHEET: 6 OF 6

DWG NO: **ACCS1007**

DRAWN: K NAGENDRA/S CUNHA 26-SEP-14

ENGINEER: C IVEY/M BROWN 26-SEP-14

APPROVED: C OMMIB/E/C ZALDIPARA/KULAS WAGH 26-SEP-14

REV. 1

PROJ ANGLE N/A