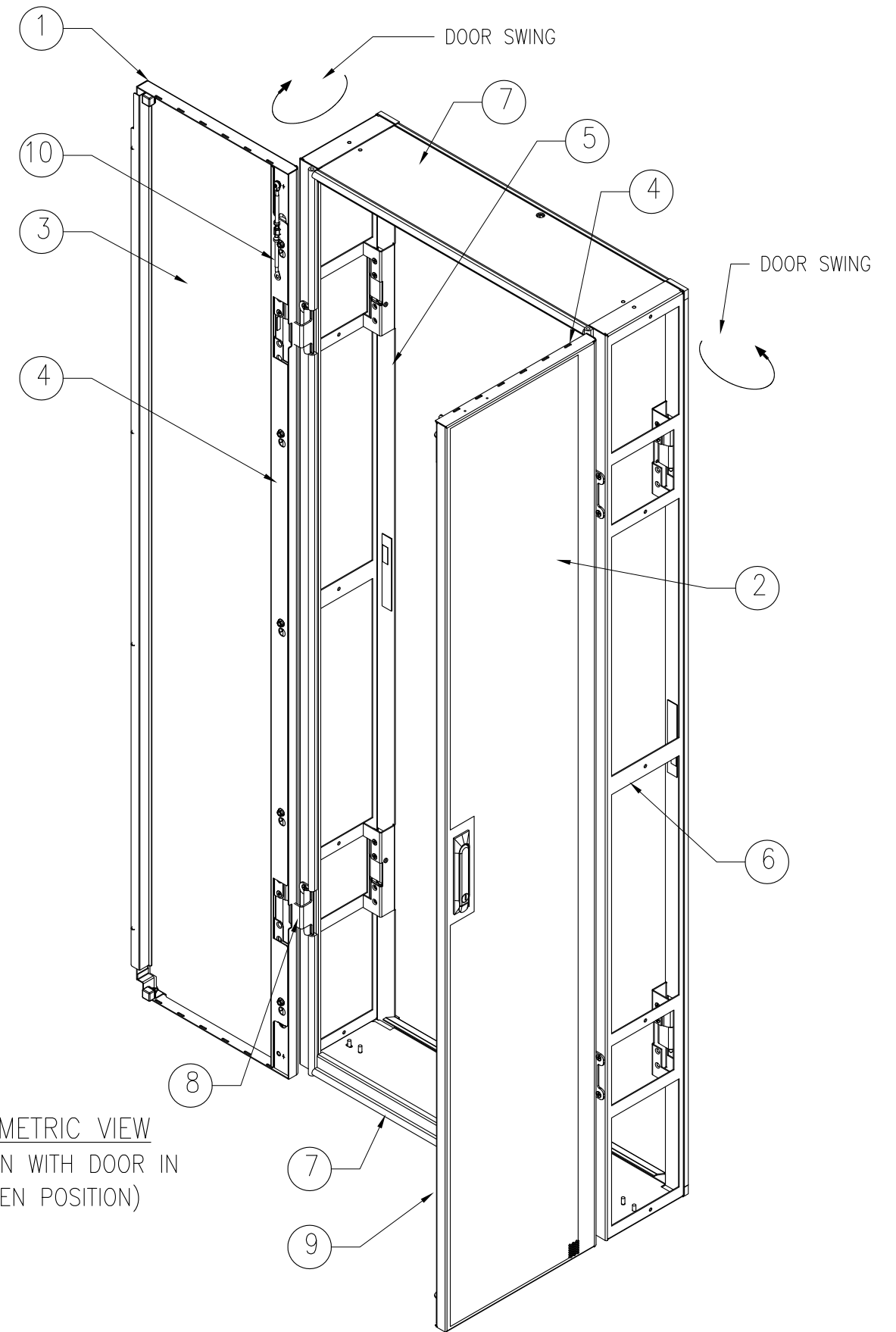


FRONT VIEW

## ASSEMBLY

- ① REAR DOOR (LEFT)-NETSHELTER SX (NOT SUPPLIED WITH THIS SKU)
- ② REAR DOOR (RIGHT)-NETSHELTER SX (NOT SUPPLIED WITH THIS SKU)
- ③ LEXAN INSERT-REAR DOOR (LEFT)
- ④ BRACKET INSERT, HINGE SIDE
- ⑤ LEFT SIDE PLENUM
- ⑥ RIGHT SIDE PLENUM
- ⑦ TOP/BOTTOM PLENUM
- ⑧ HINGES
- ⑨ LEXAN INSERT-REAR DOOR (RIGHT)
- ⑩ GROUND WIRE



**NOTES:**

1. INSTALLATION SHALL COMPLY WITH ALL APPLICABLE NATIONAL, STATE AND LOCAL CODES.
2. PLEASE REFER TO PRODUCT DOCUMENTATION FOR FURTHER INFORMATION.
3. UNLESS OTHERWISE SPECIFIED, ALL DIMENSIONS ARE IN MILLIMETERS [INCHES].
4. NET WEIGHT OF THE UNIT IS 25.60 kg [56.00 lbs].

THIS DRAWING AND SPECIFICATIONS HEREIN ARE THE PROPERTY OF SCHNEIDER ELECTRIC AND SHALL NOT BE COPIED, REPRODUCED OR USED IN WHOLE OR IN PART, AS THE BASIS FOR THE MANUFACTURE OR SALE OF ITEMS WITHOUT WRITTEN PERMISSION FROM SCHNEIDER ELECTRIC. THIS DRAWING IS BASED UPON LATEST AVAILABLE INFORMATION AND IS SUBJECT TO CHANGE WITHOUT NOTICE.



TITLE: RACK AIR CONTAINMENT SYSTEM  
REAR ASSEMBLY FOR  
NETSHELTER SX, 42U, 750mm WIDE  
ASSEMBLY

PROJECT: STD SUBMITTAL DRAWING SHEET: 1 OF 6

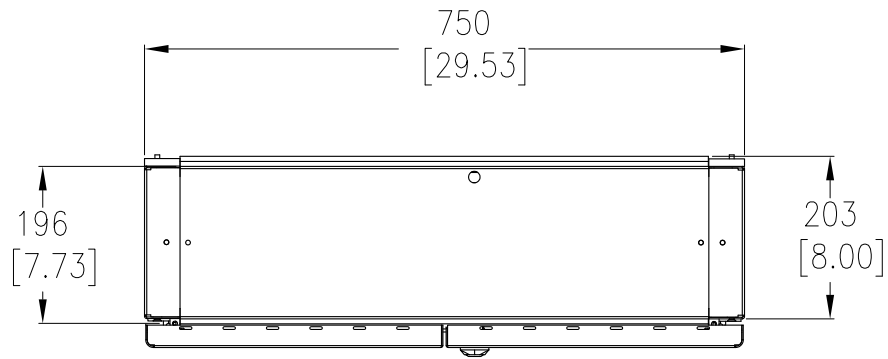
DWG NO: **ACCS1006** REV. 1

DRAWN: K NAGENDRA/S CUNHA 26-SEP-14

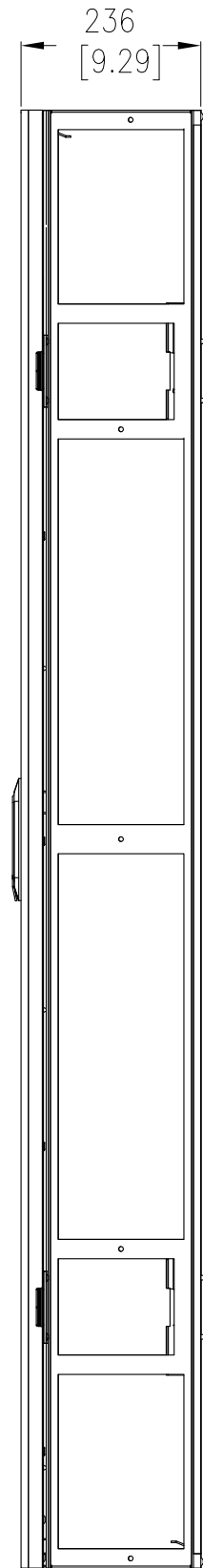
ENGINEER: C IVEY/M BROWN 26-SEP-14

APPROVED: C GUMMERY/C ZALDAR/A KULKARNI/S WAGH 26-SEP-14

PROJ  
ANGLE  
N/A

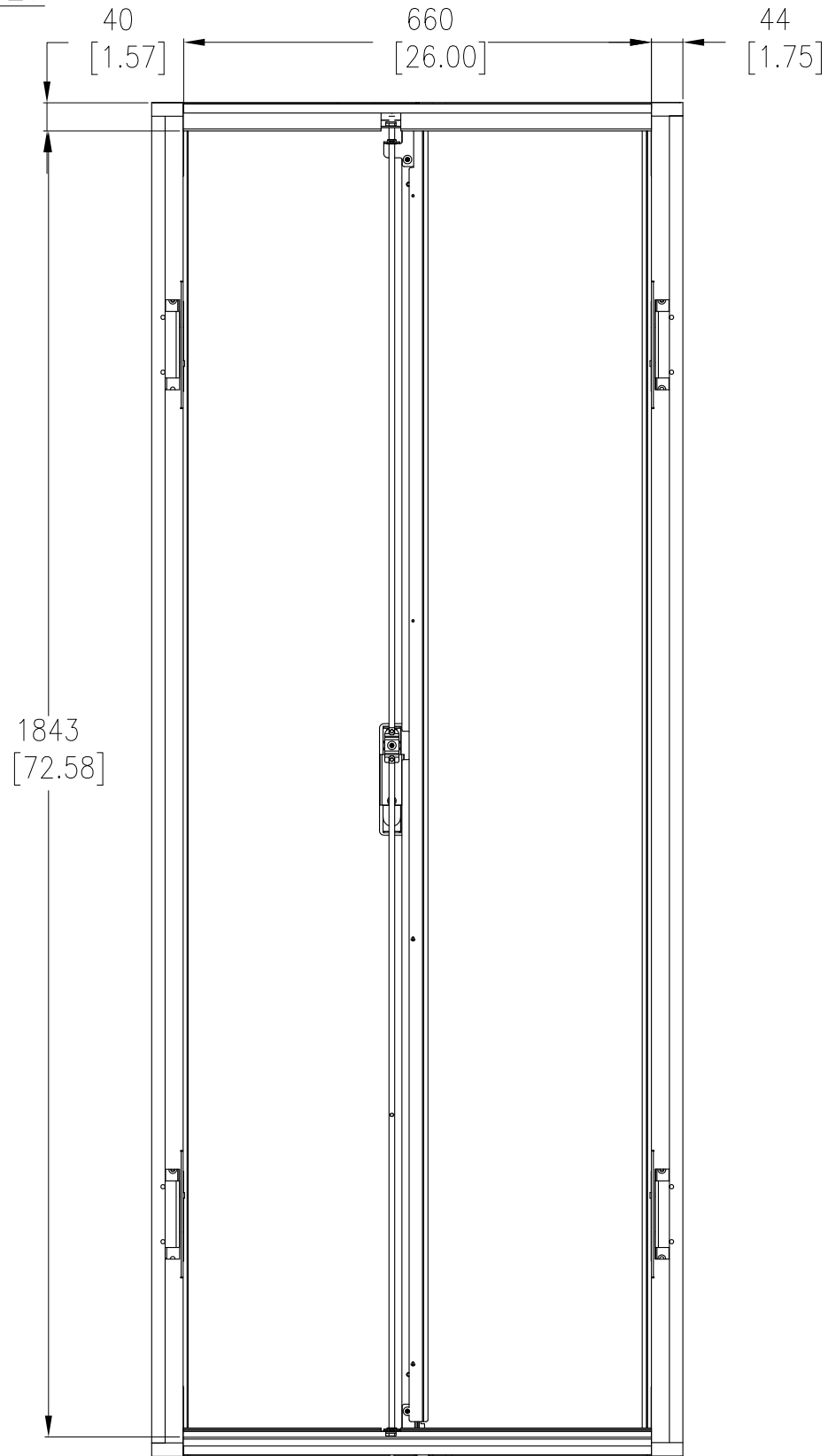


VIEW-A

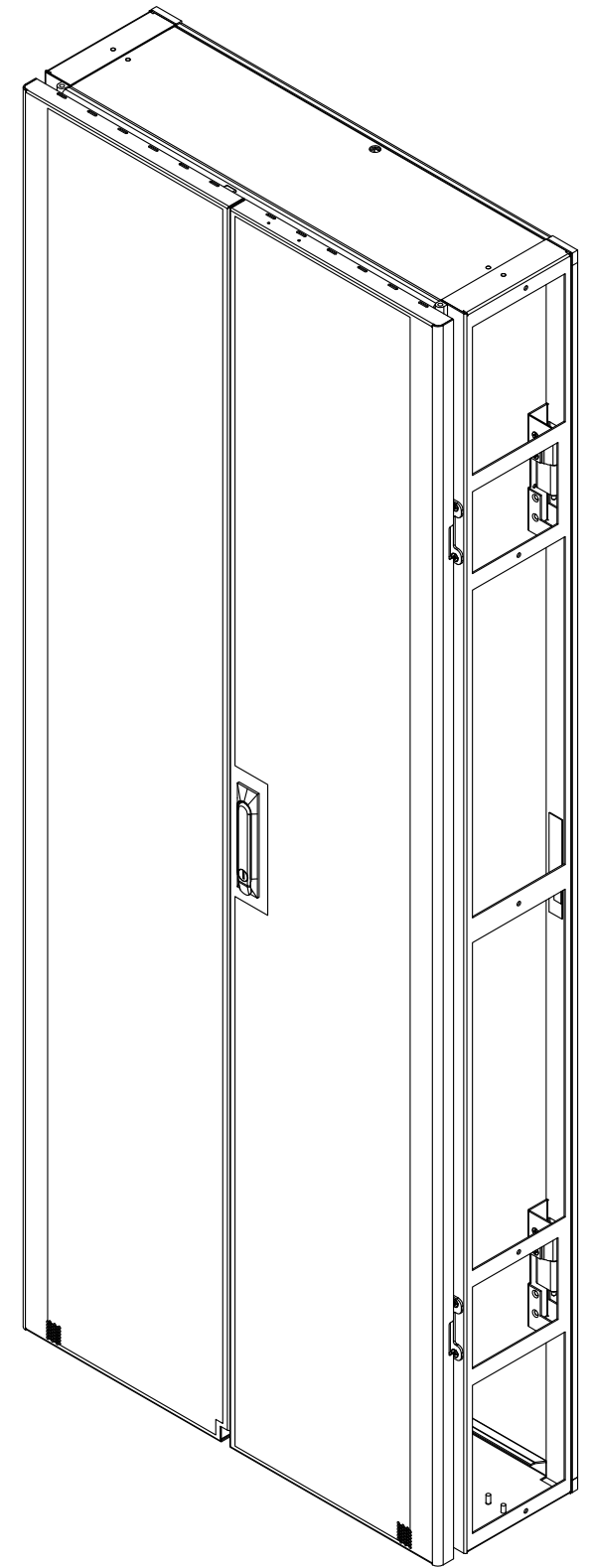


VIEW-B

ASSEMBLY



REAR VIEW



ISOMETRIC VIEW  
(SHOWN WITH DOOR IN  
CLOSED POSITION)

NOTES:

1. INSTALLATION SHALL COMPLY WITH ALL APPLICABLE NATIONAL, STATE AND LOCAL CODES.
2. PLEASE REFER TO PRODUCT DOCUMENTATION FOR FURTHER INFORMATION.
3. UNLESS OTHERWISE SPECIFIED, ALL DIMENSIONS ARE IN MILLIMETERS [INCHES].

THIS DRAWING AND SPECIFICATIONS HEREIN ARE THE PROPERTY OF SCHNEIDER ELECTRIC AND SHALL NOT BE COPIED, REPRODUCED OR USED IN WHOLE OR IN PART, AS THE BASIS FOR THE MANUFACTURE OR SALE OF ITEMS WITHOUT WRITTEN PERMISSION FROM SCHNEIDER ELECTRIC. THIS DRAWING IS BASED UPON LATEST AVAILABLE INFORMATION AND IS SUBJECT TO CHANGE WITHOUT NOTICE.

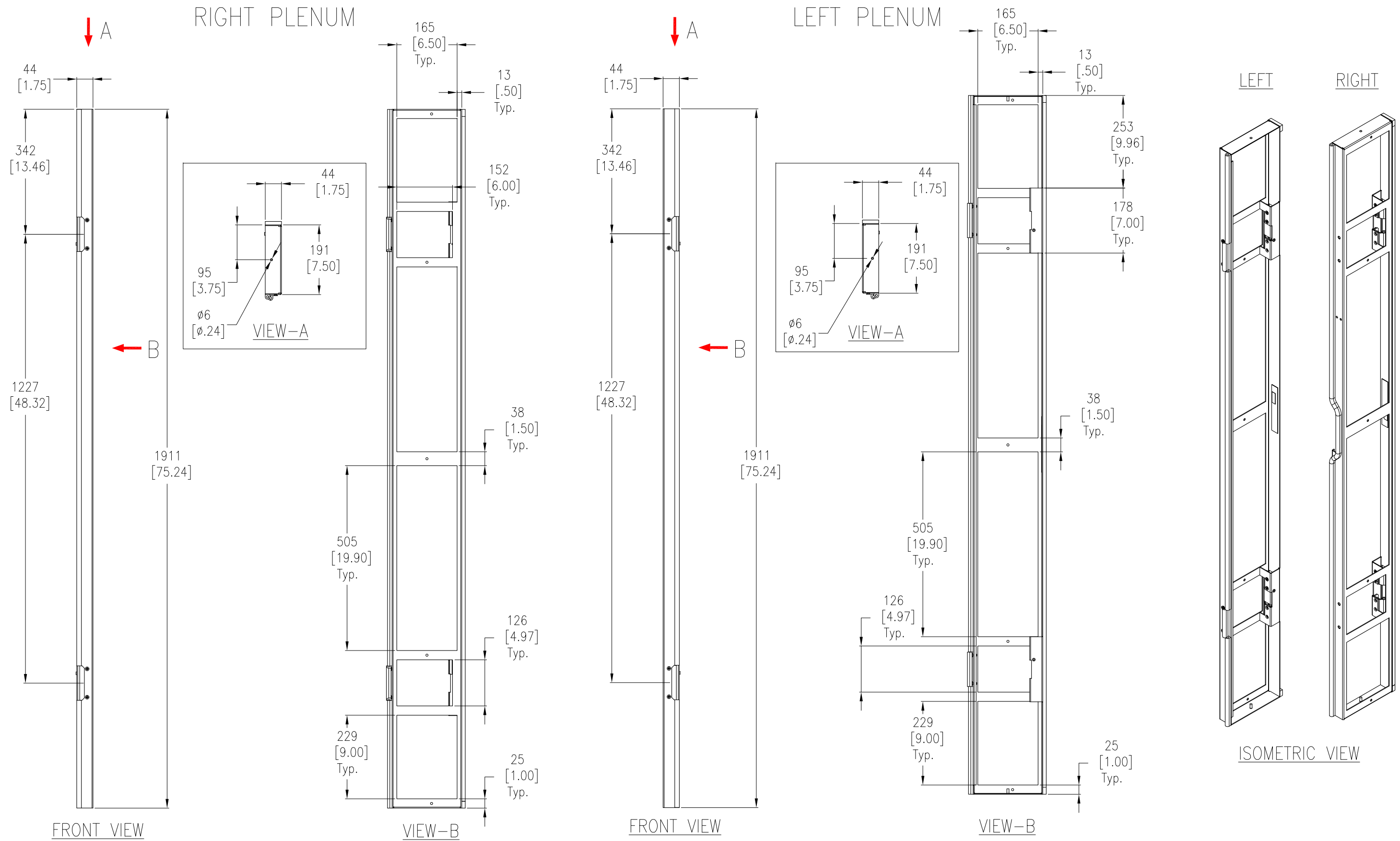


TITLE: RACK AIR CONTAINMENT SYSTEM  
REAR ASSEMBLY FOR  
NETSHELTER SX, 42U, 750mm WIDE  
ASSEMBLY DETAILS

PROJECT: STD SUBMITTAL DRAWING SHEET: 2 OF 6

DWG NO: **ACCS1006**  
DRAWN: K NAGENDRA/S CUNHA  
ENGINEER: C IVEY/M BROWN  
APPROVED: C GUMBIKEY/CALDIPRA/KUNJAS WASH

REV. 1  
PROJ ANGLE N/A



**NOTES:**

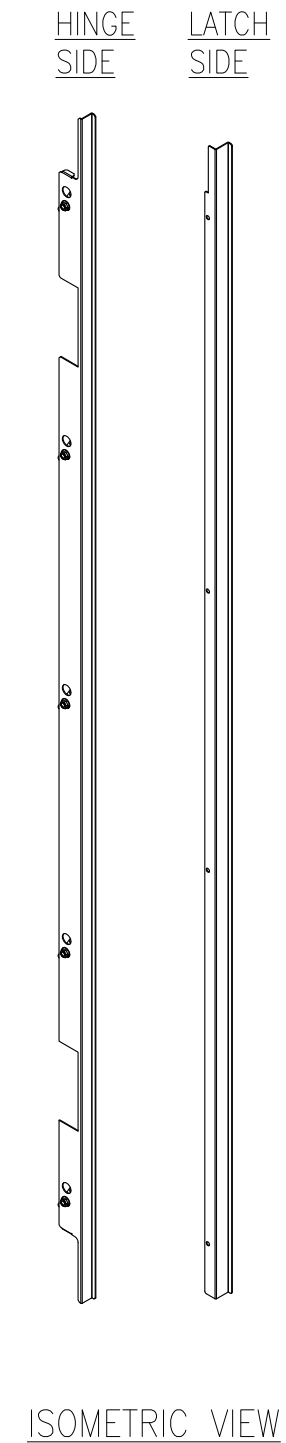
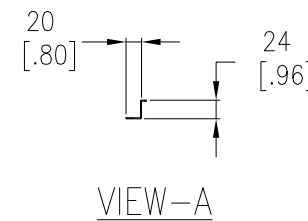
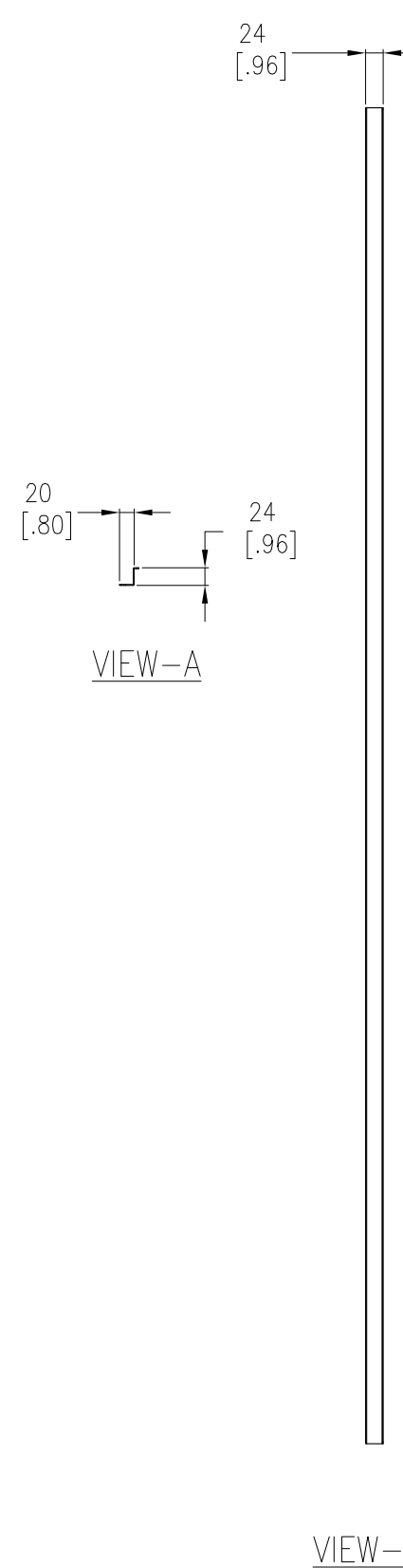
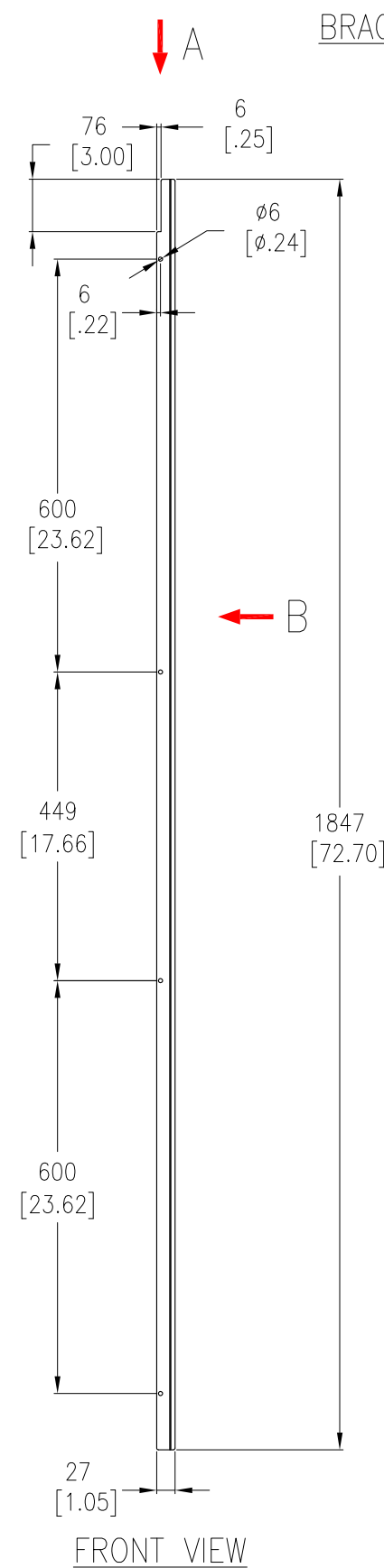
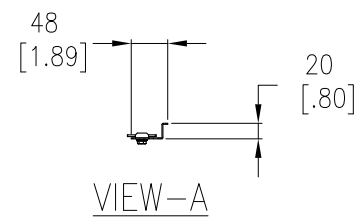
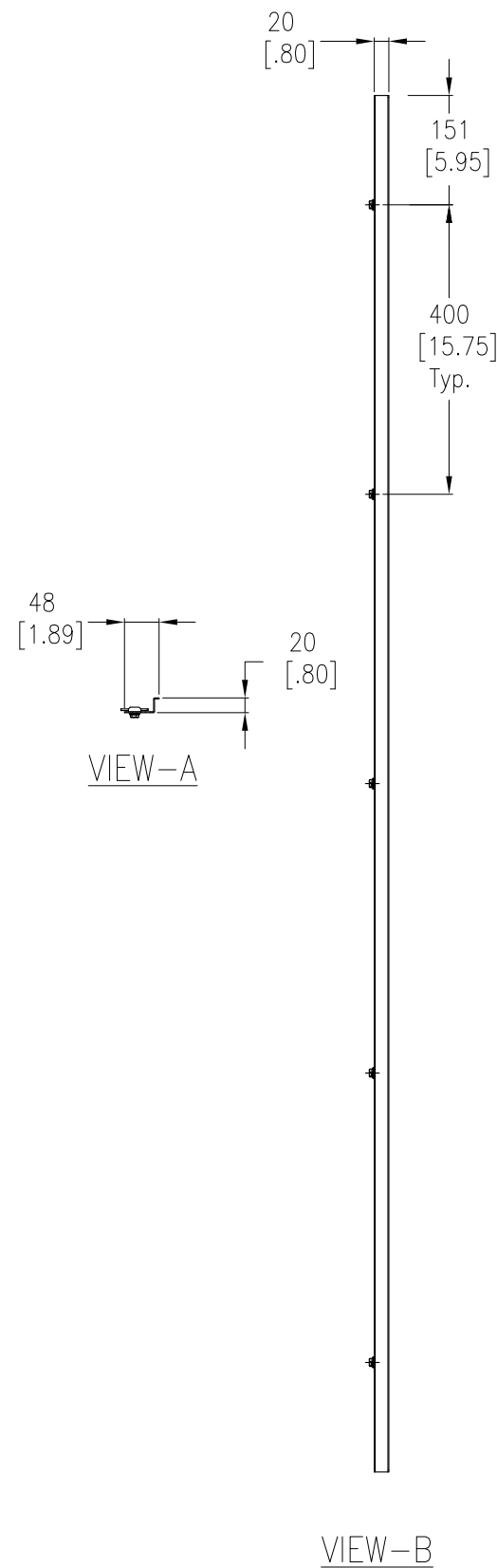
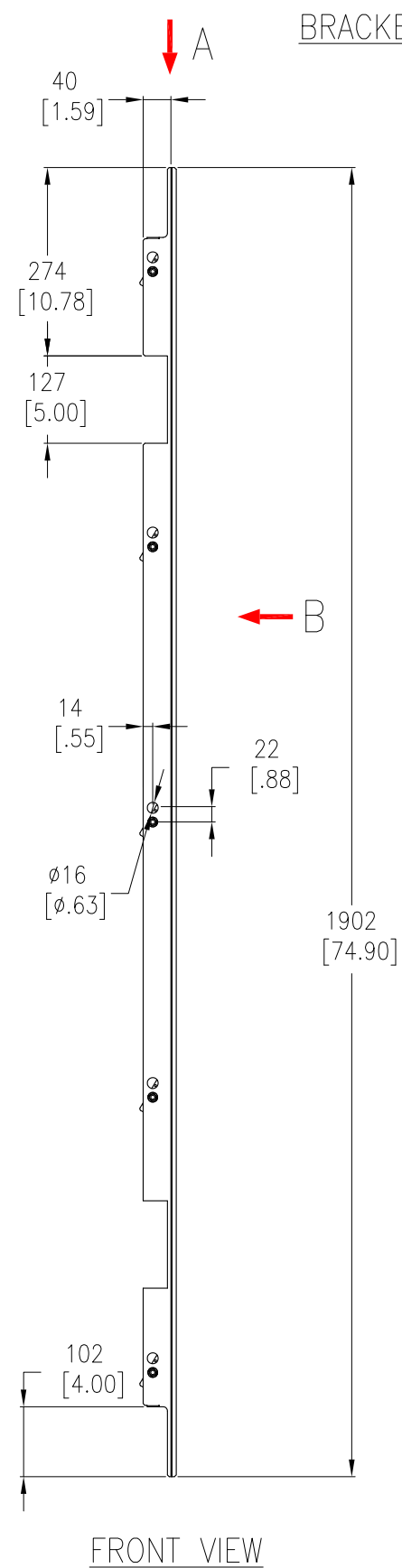
1. INSTALLATION SHALL COMPLY WITH ALL APPLICABLE NATIONAL, STATE AND LOCAL CODES.
2. PLEASE REFER TO PRODUCT DOCUMENTATION FOR FURTHER INFORMATION.
3. UNLESS OTHERWISE SPECIFIED, ALL DIMENSIONS ARE IN MILLIMETERS [INCHES].

THIS DRAWING AND SPECIFICATIONS HEREIN ARE THE PROPERTY OF SCHNEIDER ELECTRIC AND SHALL NOT BE COPIED, REPRODUCED OR USED IN WHOLE OR IN PART, AS THE BASIS FOR THE MANUFACTURE OR SALE OF ITEMS WITHOUT WRITTEN PERMISSION FROM SCHNEIDER ELECTRIC. THIS DRAWING IS BASED UPON LATEST AVAILABLE INFORMATION AND IS SUBJECT TO CHANGE WITHOUT NOTICE.



TITLE: RACK AIR CONTAINMENT SYSTEM REAR ASSEMBLY FOR NETSHELTER SX, 42U, 750mm WIDE RIGHT & LEFT PLENUM  
 PROJECT: STD SUBMITTAL DRAWING SHEET: 3 OF 6

DWG NO: **ACCS1006** REV. 1  
 DRAWN: K NAGENDRA/S CUNHA 26-SEP-14  
 ENGINEER: C IVEY/M BROWN 26-SEP-14  
 APPROVED: C GUMBIKEY/CALDIPIRA/KUNJAS WASH 26-SEP-14  
 PROJ ANGLE: N/A



**NOTES:**

1. INSTALLATION SHALL COMPLY WITH ALL APPLICABLE NATIONAL, STATE AND LOCAL CODES.
2. PLEASE REFER TO PRODUCT DOCUMENTATION FOR FURTHER INFORMATION.
3. UNLESS OTHERWISE SPECIFIED, ALL DIMENSIONS ARE IN MILLIMETERS [INCHES].

THIS DRAWING AND SPECIFICATIONS HEREIN ARE THE PROPERTY OF SCHNEIDER ELECTRIC AND SHALL NOT BE COPIED, REPRODUCED OR USED IN WHOLE OR IN PART, AS THE BASIS FOR THE MANUFACTURE OR SALE OF ITEMS WITHOUT WRITTEN PERMISSION FROM SCHNEIDER ELECTRIC. THIS DRAWING IS BASED UPON LATEST AVAILABLE INFORMATION AND IS SUBJECT TO CHANGE WITHOUT NOTICE.



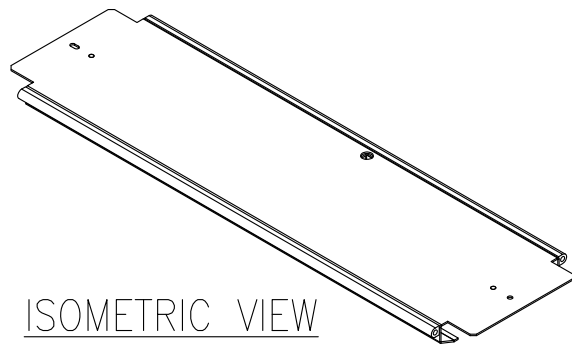
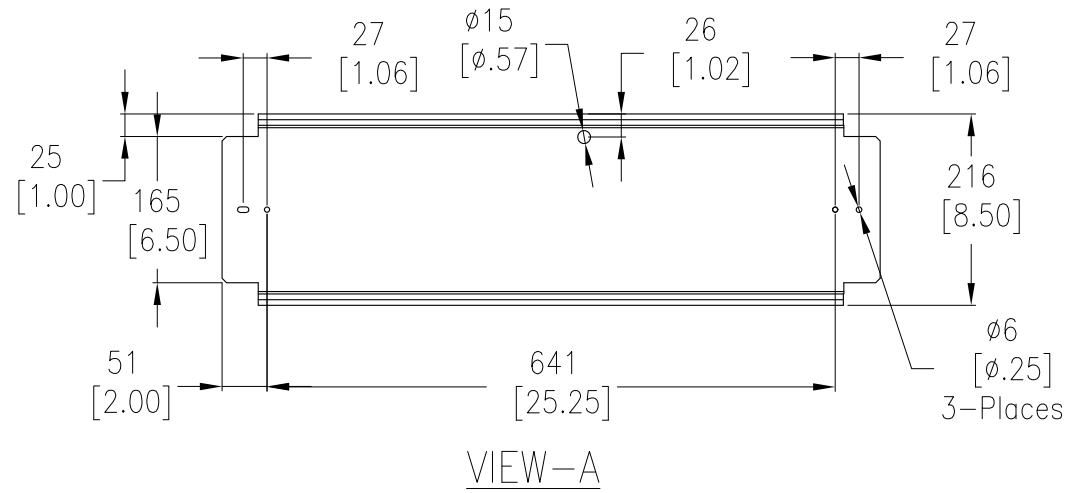
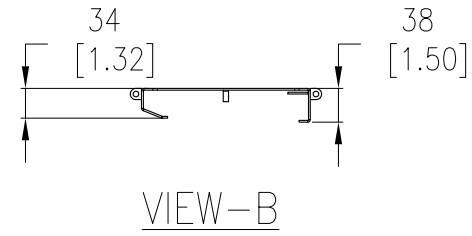
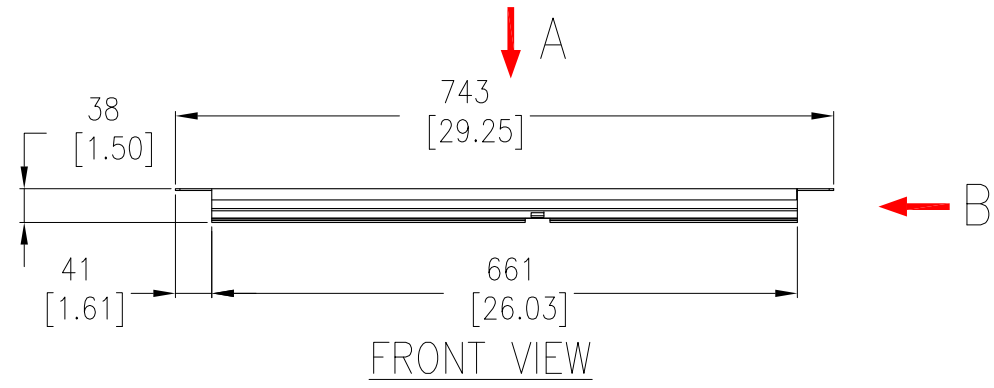
TITLE: RACK AIR CONTAINMENT SYSTEM REAR ASSEMBLY FOR NETSHELTER SX, 42U, 750mm WIDE BRACKET INSERT - LATCH & HINGE SIDE

PROJECT: STD SUBMITTAL DRAWING SHEET: 4 OF 6

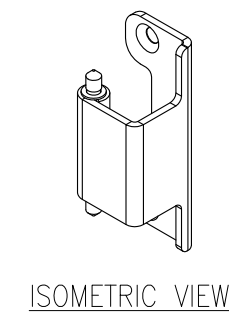
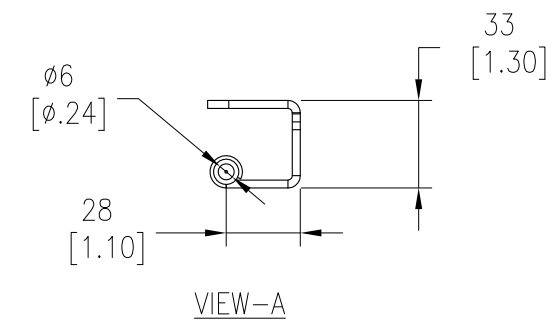
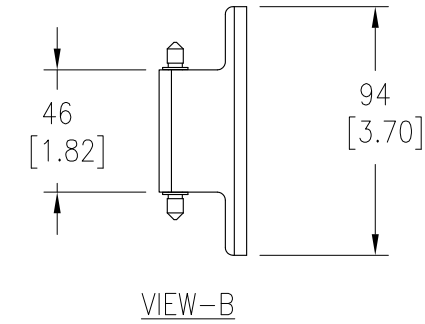
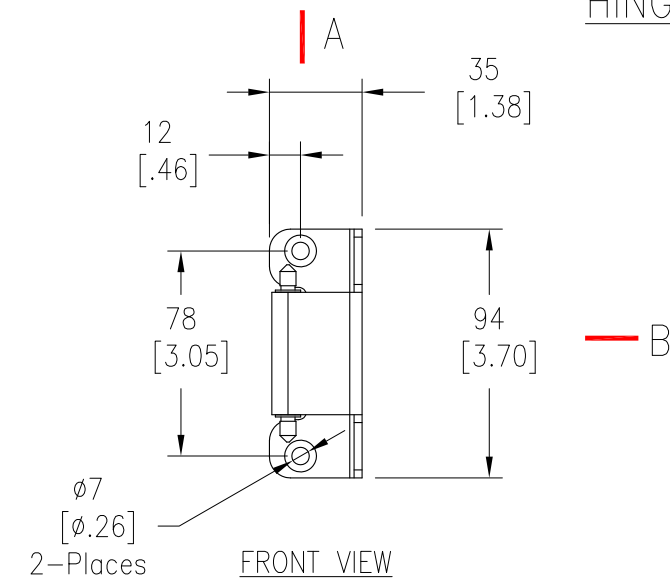
DWG NO: **ACCS1006**  
 DRAWN: K NAGENDRA/S CUNHA  
 ENGINEER: C IVEY/M BROWN  
 APPROVED: C GUMMERY/C ZALDAR/A KULAS WAGH

REV. 1  
 PROJ ANGLE N/A

# TOP AND BOTTOM PLENUM (QTY.-2)



# HINGE



## NOTES:

1. INSTALLATION SHALL COMPLY WITH ALL APPLICABLE NATIONAL, STATE AND LOCAL CODES.
2. PLEASE REFER TO PRODUCT DOCUMENTATION FOR FURTHER INFORMATION.
3. UNLESS OTHERWISE SPECIFIED, ALL DIMENSIONS ARE IN MILLIMETERS [INCHES].

THIS DRAWING AND SPECIFICATIONS HEREIN ARE THE PROPERTY OF SCHNEIDER ELECTRIC AND SHALL NOT BE COPIED, REPRODUCED OR USED IN WHOLE OR IN PART, AS THE BASIS FOR THE MANUFACTURE OR SALE OF ITEMS WITHOUT WRITTEN PERMISSION FROM SCHNEIDER ELECTRIC. THIS DRAWING IS BASED UPON LATEST AVAILABLE INFORMATION AND IS SUBJECT TO CHANGE WITHOUT NOTICE.



TITLE: RACK AIR CONTAINMENT SYSTEM REAR ASSEMBLY FOR NETSHELTER SX, 42U, 750mm WIDE TOP & BOTTOM PLENUM & HINGE DETAILS

PROJECT: STD SUBMITTAL DRAWING SHEET: 5 OF 6

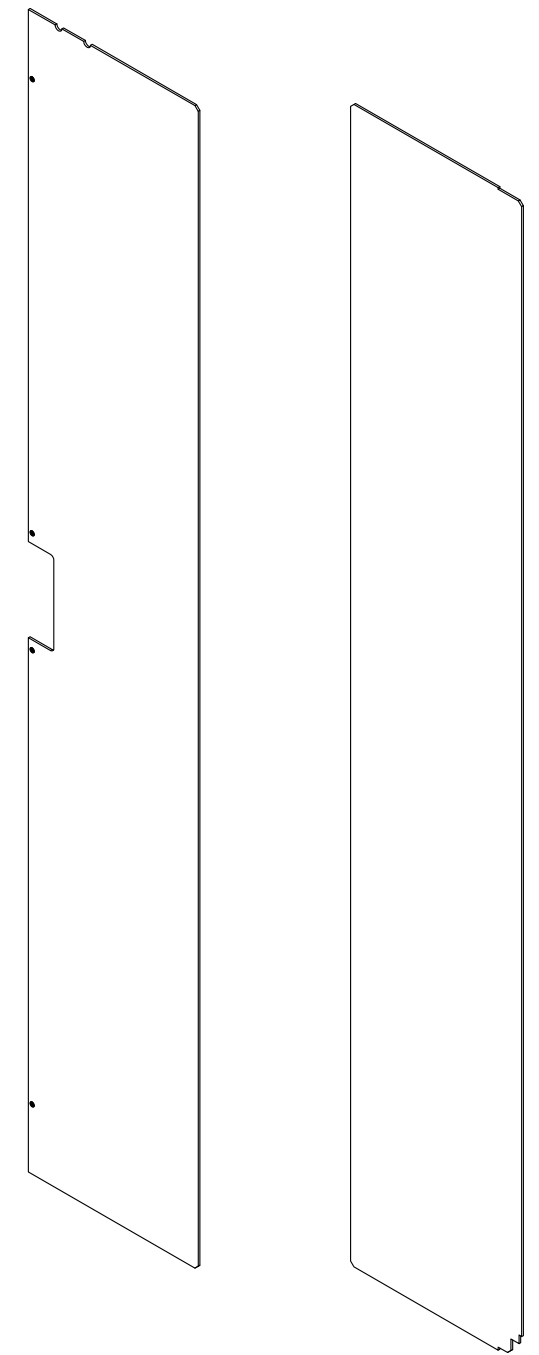
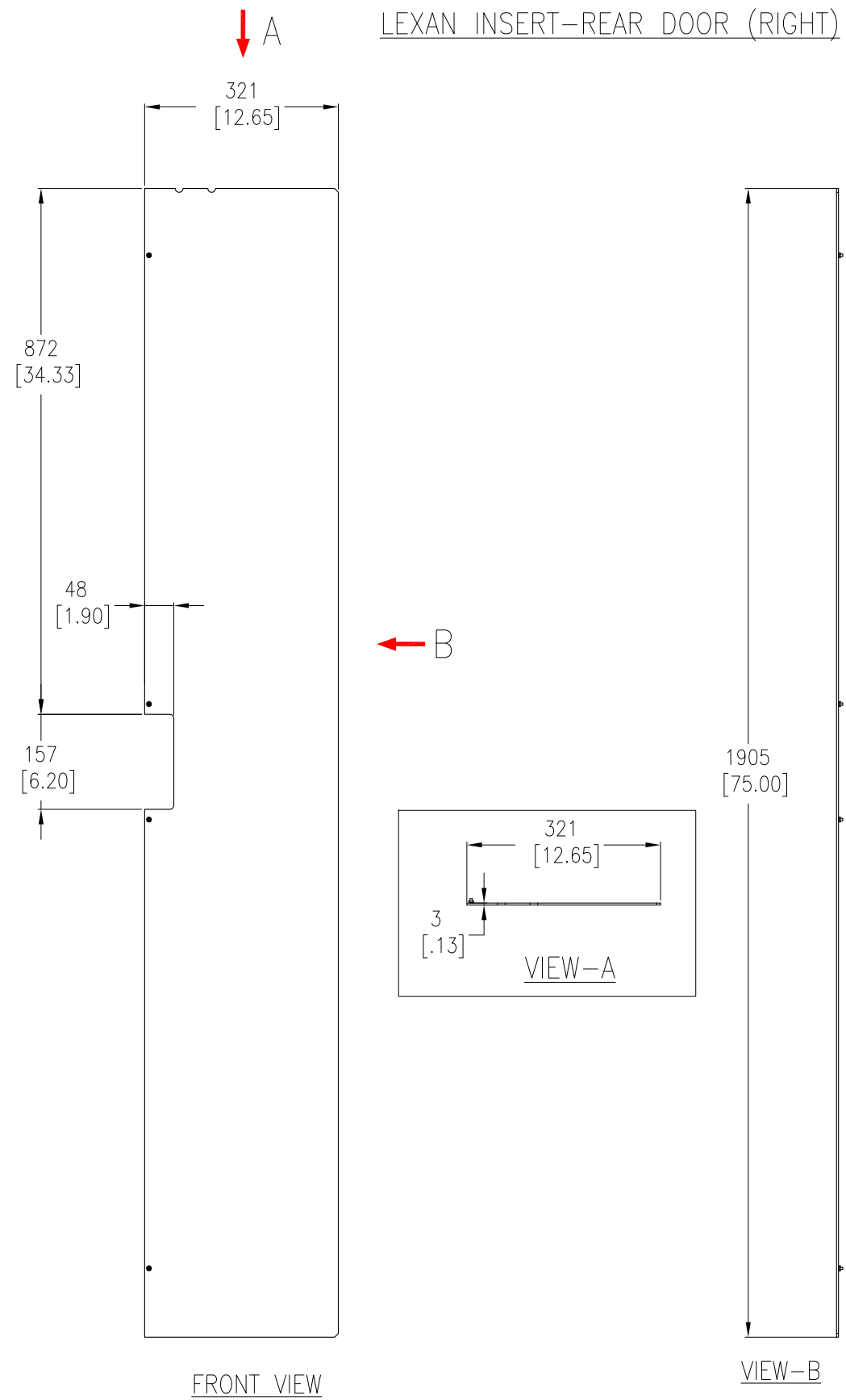
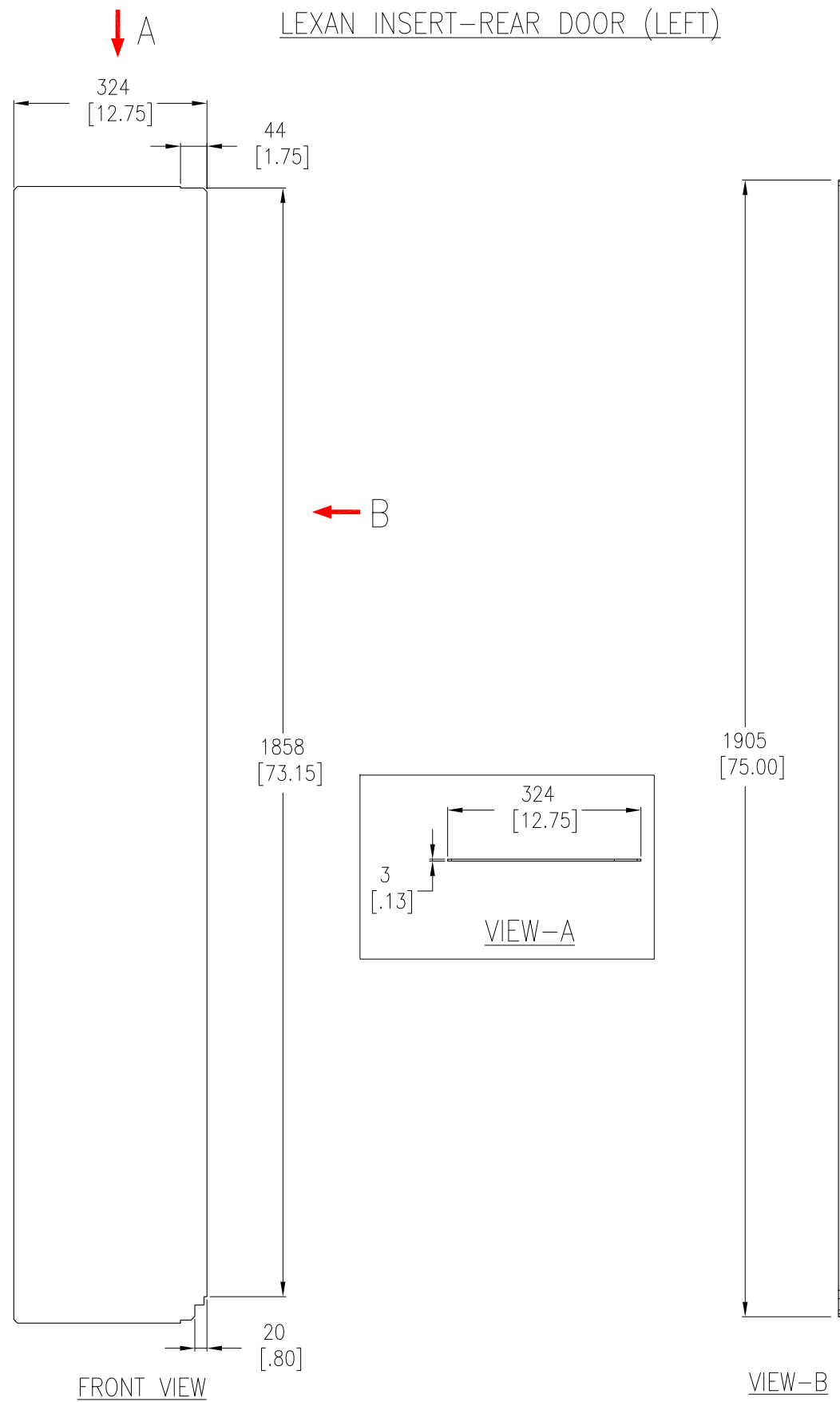
DWG NO: **ACCS1006** REV. 1

DRAWN: K NAGENDRA/S CUNHA 26-SEP-14

ENGINEER: C IVEY/M BROWN 26-SEP-14

APPROVED: C OUMBEY/C ZALDAR/A KULKAS WAGH 26-SEP-14

PROJ ANGLE N/A



**NOTES:**

1. INSTALLATION SHALL COMPLY WITH ALL APPLICABLE NATIONAL, STATE AND LOCAL CODES.
2. PLEASE REFER TO PRODUCT DOCUMENTATION FOR FURTHER INFORMATION.
3. UNLESS OTHERWISE SPECIFIED, ALL DIMENSIONS ARE IN MILLIMETERS [INCHES].

THIS DRAWING AND SPECIFICATIONS HEREIN ARE THE PROPERTY OF SCHNEIDER ELECTRIC AND SHALL NOT BE COPIED, REPRODUCED OR USED IN WHOLE OR IN PART, AS THE BASIS FOR THE MANUFACTURE OR SALE OF ITEMS WITHOUT WRITTEN PERMISSION FROM SCHNEIDER ELECTRIC. THIS DRAWING IS BASED UPON LATEST AVAILABLE INFORMATION AND IS SUBJECT TO CHANGE WITHOUT NOTICE.



TITLE: RACK AIR CONTAINMENT SYSTEM  
REAR ASSEMBLY FOR  
NETSHELTER SX, 42U, 750mm WIDE  
LEXAN INSERT - REAR DOOR

PROJECT: STD SUBMITTAL DRAWING SHEET: 6 OF 6

DWG NO: **ACCS1006**

DRAWN: K NAGENDRA/S CUNHA 26-SEP-14  
ENGINEER: C IVEY/M BROWN 26-SEP-14  
APPROVED: C OMBIBYE/CALDIPIRA/KUNJAS WAGH 26-SEP-14

REV. 1  
PROJ ANGLE N/A