

NOTES:

1. INSTALLATION SHALL COMPLY WITH ALL APPLICABLE NATIONAL, STATE AND LOCAL CODES.
2. PLEASE REFER TO THE PRODUCT MANUALS FOR ADDITIONAL DETAILS.
3. UNLESS OTHERWISE SPECIFIED, ALL DIMENSIONS ARE IN MILLIMETERS [INCHES].
4. FRONT SERVICE ACCESS IS REQUIRED.
5. THE UNIT IS SHIPPED WITHOUT SIDE PANELS. SHOWN FOR REFERENCE ONLY.
6. NET WEIGHT OF FULLY POPULATED BATTERY CABINET 1595.5 kg [3510 LBS]
 NET WEIGHT OF BATTERY FRAME (SKU SYBFXR8) 373.6 kg [822 LBS]
 NET WEIGHT OF BATTERY MODULE (SKU SYBT9-B6) 153 kg [336.6 LBS]

THIS DRAWING AND SPECIFICATIONS HEREIN ARE THE PROPERTY OF SCHNEIDER ELECTRIC AND SHALL NOT BE COPIED, REPRODUCED OR USED IN WHOLE OR IN PART, AS THE BASIS FOR THE MANUFACTURE OR SALE OF ITEMS WITHOUT WRITTEN PERMISSION FROM SCHNEIDER ELECTRIC. THIS DRAWING IS BASED UPON LATEST AVAILABLE INFORMATION AND IS SUBJECT TO CHANGE WITHOUT NOTICE.

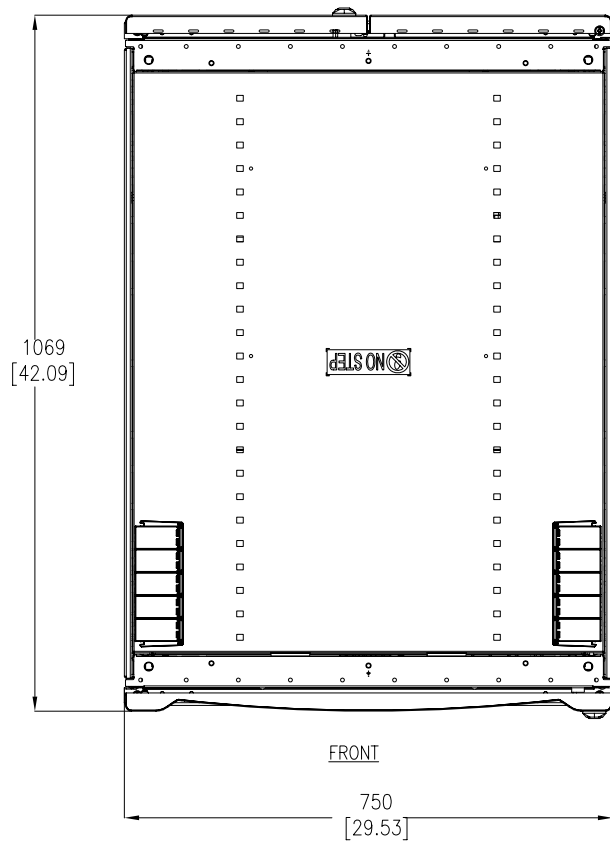


TITLE: InfraStruXure
 SYMMETRA PX 250/500
 BATTERY CABINET WITH 8 BATTERY MODULES
 480V, 3PH
 MAIN MECHANICAL

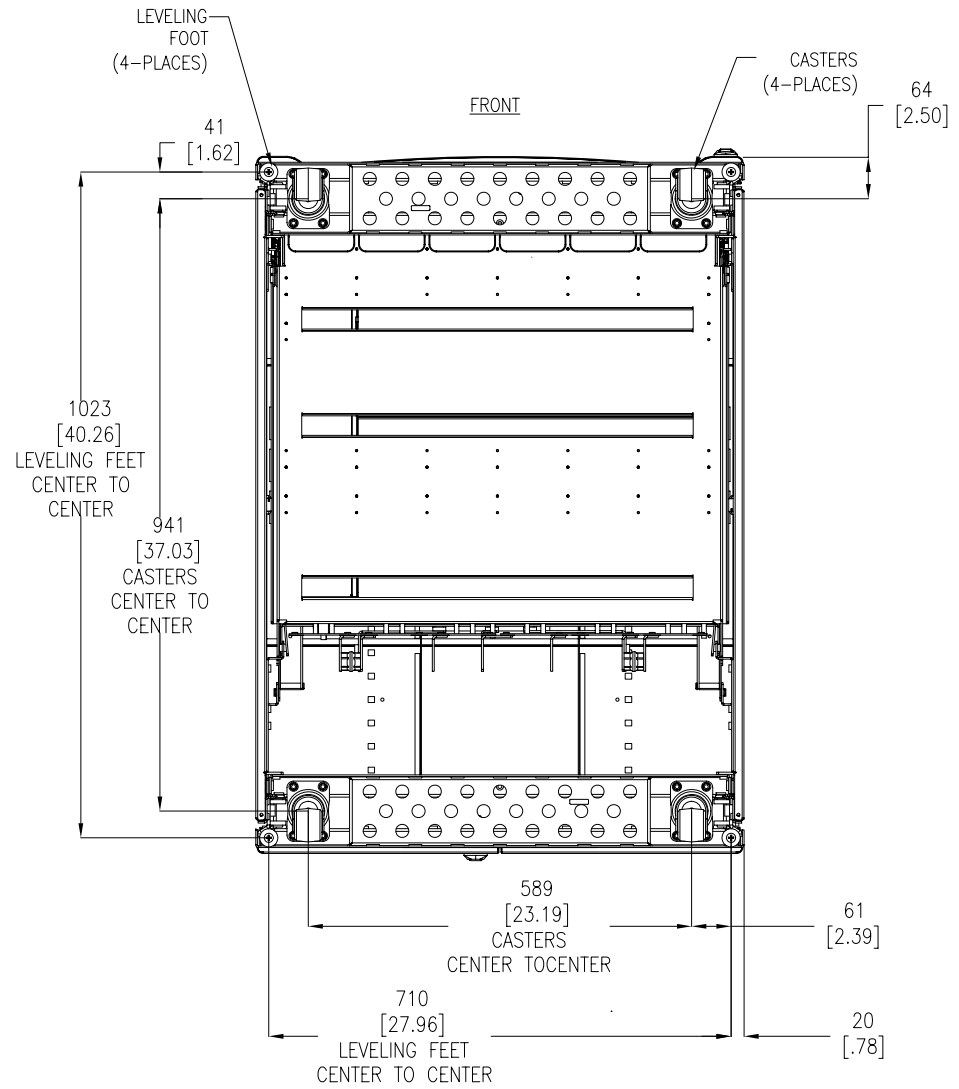
PROJECT: SUBMITTAL DRAWINGS SHEET 1 OF 5

DWG NO: SYBFXR8-8-MM1 REV. 4

DRAWN: JAYAPRAKASH	21-FEB-11	FIRST ANGLE
ENGINEER: T SURETTE	21-FEB-11	PROJ
APPROVE: SHERIDAN/E SILVA/C LARSEN/S WAGH	21-FEB-11	



TOP VIEW



BOTTOM VIEW

NOTES:

1. INSTALLATION SHALL COMPLY WITH ALL APPLICABLE NATIONAL, STATE AND LOCAL CODES.
2. PLEASE REFER TO THE PRODUCT MANUALS FOR ADDITIONAL DETAILS.
3. UNLESS OTHERWISE SPECIFIED, ALL DIMENSIONS ARE IN MILLIMETERS [INCHES].

THIS DRAWING AND SPECIFICATIONS HEREIN ARE THE PROPERTY OF SCHNEIDER ELECTRIC AND SHALL NOT BE COPIED, REPRODUCED OR USED IN WHOLE OR IN PART, AS THE BASIS FOR THE MANUFACTURE OR SALE OF ITEMS WITHOUT WRITTEN PERMISSION FROM SCHNEIDER ELECTRIC. THIS DRAWING IS BASED UPON LATEST AVAILABLE INFORMATION AND IS SUBJECT TO CHANGE WITHOUT NOTICE.



TITLE: InfrStruXure
SYMMETRA PX 250/500
BATTERY CABINET WITH 8 BATTERY MODULES
480V, 3PH
TOP AN BOTTOM VIEW

PROJECT: SUBMITTAL DRAWINGS SHEET 2 OF 5

DWG NO: SYBFXR8-8-MM2

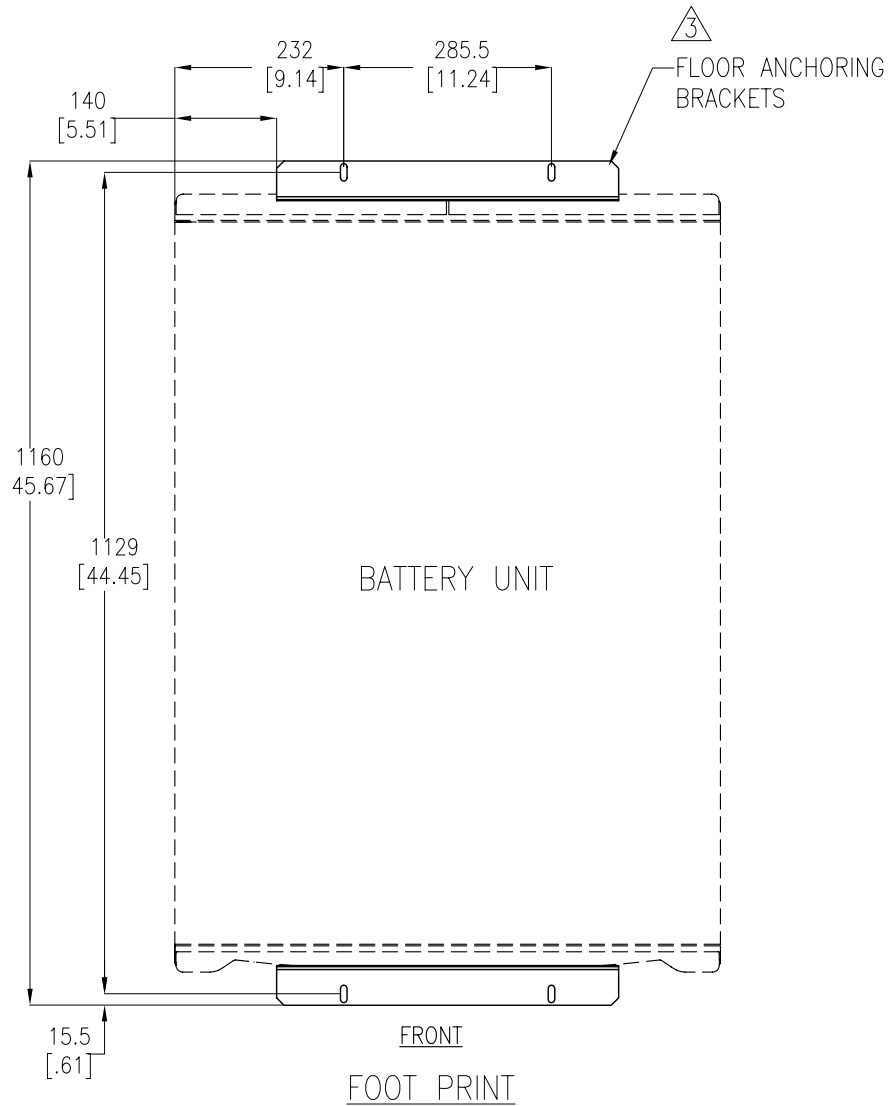
DRAWN: JAYAPRAKASH 21-FEB-11

ENGINEER: T SURETTE 21-FEB-11

APPROVE: SHERIDAN/E SILVA/C LARSEN/S WAGH 21-FEB-11

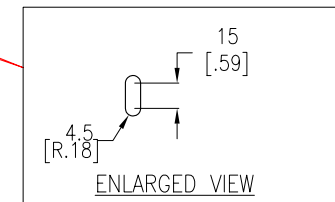
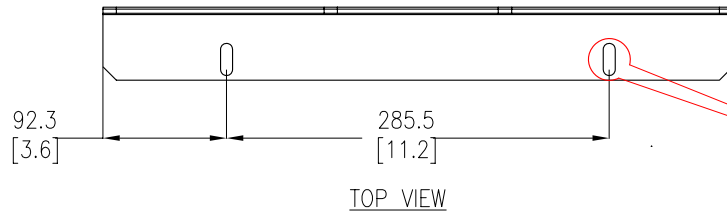
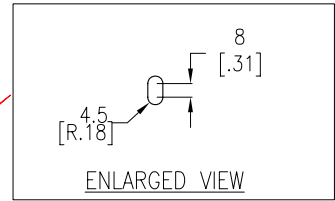
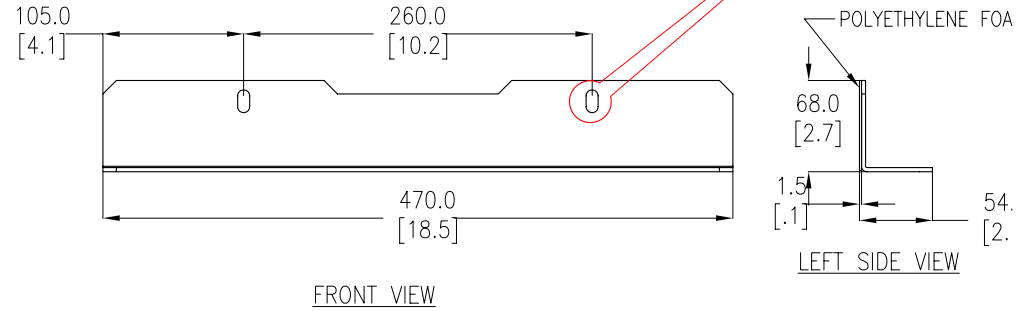
REV. 3

FIRST ANGLE PROJ



FLOOR ANCHORING BRACKET DETAILS

{Thickness=3.0mm [11Gauge]}



NOTES:

1. INSTALLATION MUST COMPLY WITH ALL APPLICABLE NATIONAL, STATE AND LOCAL CODES.
2. PLEASE REFER TO THE PRODUCT MANUALS FOR ADDITIONAL DETAILS.
- △ 3. FLOOR ANCHORING BRACKETS CAN BE USED TO ANCHOR ENCLOSURE. USE CODE COMPLIANT FASTENERS TO SECURE THE UNIT.
IF REAR BRACKET IS USED, 760mm [30"] REAR CLEARANCE IS REQUIRED FOR INSTALLATION.
4. UNLESS OTHERWISE SPECIFIED, ALL DIMENSIONS ARE IN MILLIMETERS [INCHES].

THIS DRAWING AND SPECIFICATIONS HEREIN ARE THE PROPERTY OF SCHNEIDER ELECTRIC AND SHALL NOT BE COPIED, REPRODUCED OR USED IN WHOLE OR IN PART, AS THE BASIS FOR THE MANUFACTURE OR SALE OF ITEMS WITHOUT WRITTEN PERMISSION FROM SCHNEIDER ELECTRIC. THIS DRAWING IS BASED UPON LATEST AVAILABLE INFORMATION AND IS SUBJECT TO CHANGE WITHOUT NOTICE.

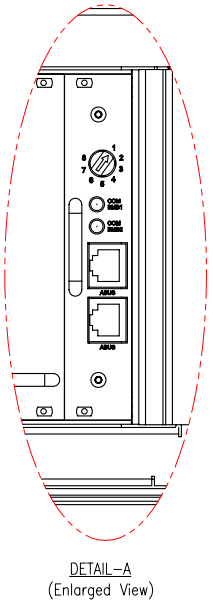
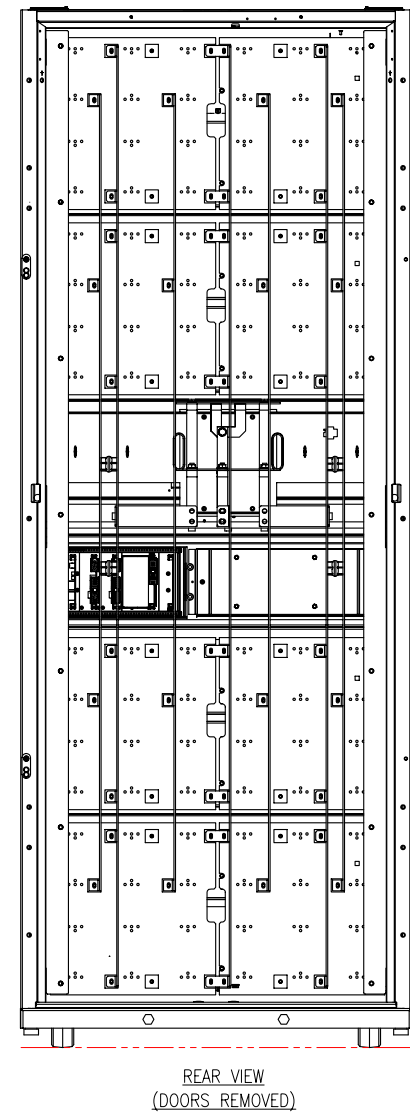
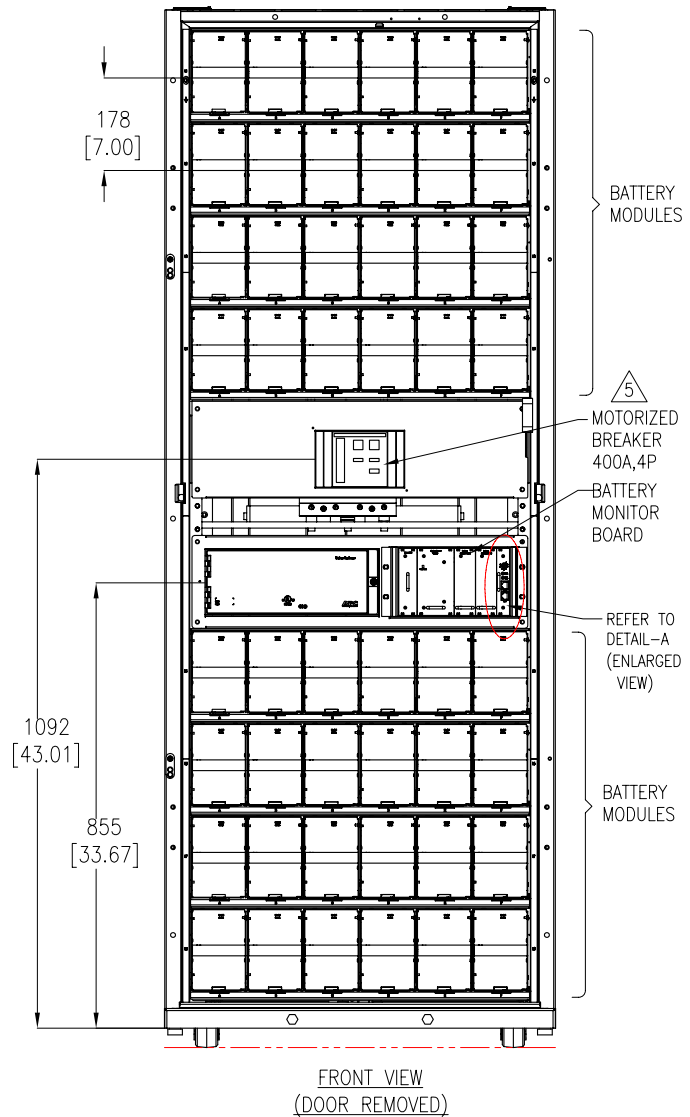
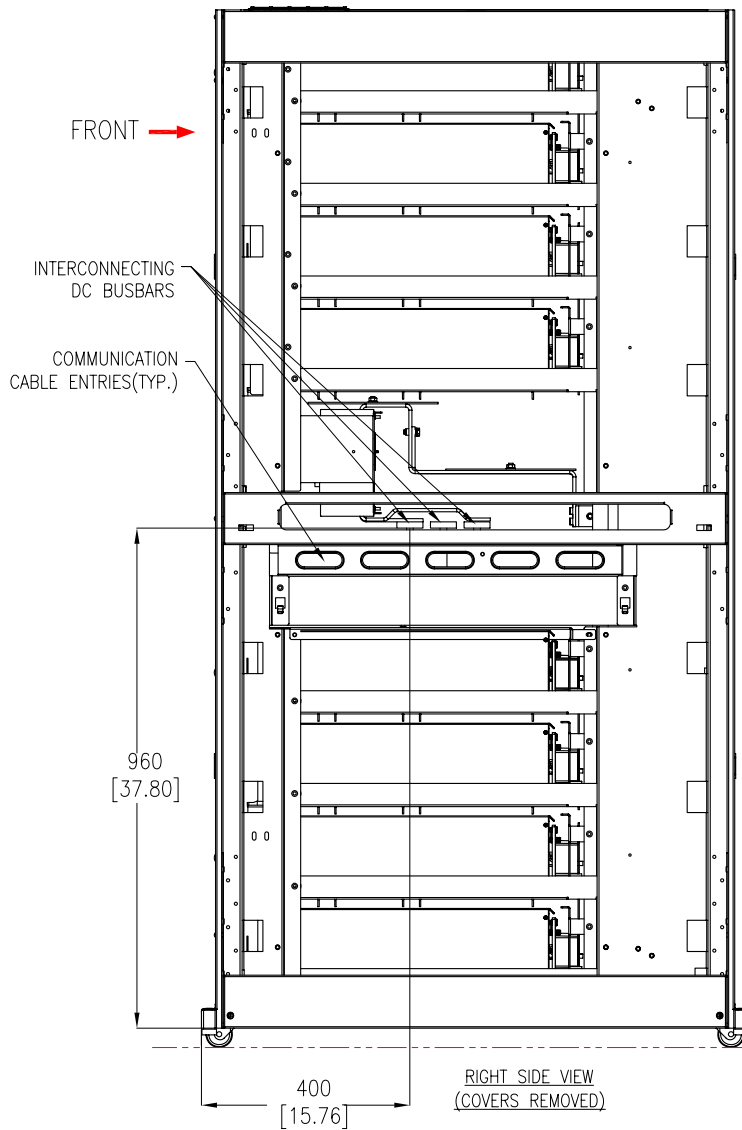


TITLE: InfruStruXure
SYMMETRA PX 250/500
BATTERY CABINET WITH 8 BATTERY MODULES
480V, 3PH
ANCHORING DETAILS

PROJECT: SUBMITTAL DRAWINGS SHEET 3 OF 5

DWG NO: SYBFXR8-8-MM3 REV. 4

DRAWN: JAYAPRAKASH	21-FEB-11	FIRST ANGLE
ENGINEER: M LEPARD	21-FEB-11	PROJ
APPROVE: SHERIDAN/E SILVA/C LARSEN/S WAGH	21-FEB-11	



NOTES:

1. INSTALLATION SHALL COMPLY WITH ALL APPLICABLE NATIONAL, STATE AND LOCAL CODES.
2. PLEASE REFER TO THE PRODUCT MANUALS FOR ADDITIONAL DETAILS.
3. UNLESS OTHERWISE SPECIFIED, ALL DIMENSIONS ARE IN MILLIMETERS [INCHES].
4. SOME MECHANICAL DETAILS NOT SHOWN FOR CLARITY PURPOSE.
- △ 5. CIRCUIT BREAKER (MOTORIZED), ABB, 400A 600V 4POLE T5, WITH 24V DC SHUNT TRIP AND AUX. CONTACT. MOTORIZED BREAKER TRIP UNIT ACTIVATED THROUGH EPO/UPS 24V DC SIGNAL.

THIS DRAWING AND SPECIFICATIONS HEREIN ARE THE PROPERTY OF SCHNEIDER ELECTRIC AND SHALL NOT BE COPIED, REPRODUCED OR USED IN WHOLE OR IN PART, AS THE BASIS FOR THE MANUFACTURE OR SALE OF ITEMS WITHOUT WRITTEN PERMISSION FROM SCHNEIDER ELECTRIC. THIS DRAWING IS BASED UPON LATEST AVAILABLE INFORMATION AND IS SUBJECT TO CHANGE WITHOUT NOTICE.



TITLE: InfruStruXure
SYMMETRA PX 250/500
BATTERY CABINET WITH 8 BATTERY MODULES
480V, 3PH
INTERNAL VIEW

PROJECT: SUBMITTAL DRAWINGS SHEET 4 OF 5

DWG NO: SYBFXR8-8-ME1

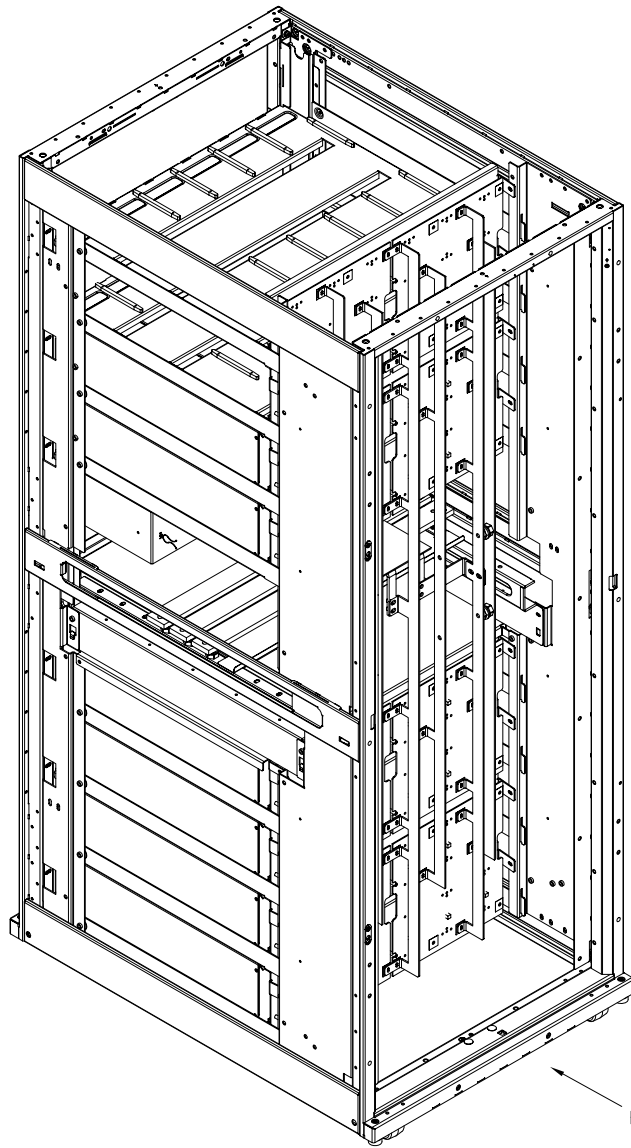
DRAWN: JAYAPRAKASH 21-FEB-11

ENGINEER: T SURETTE 21-FEB-11

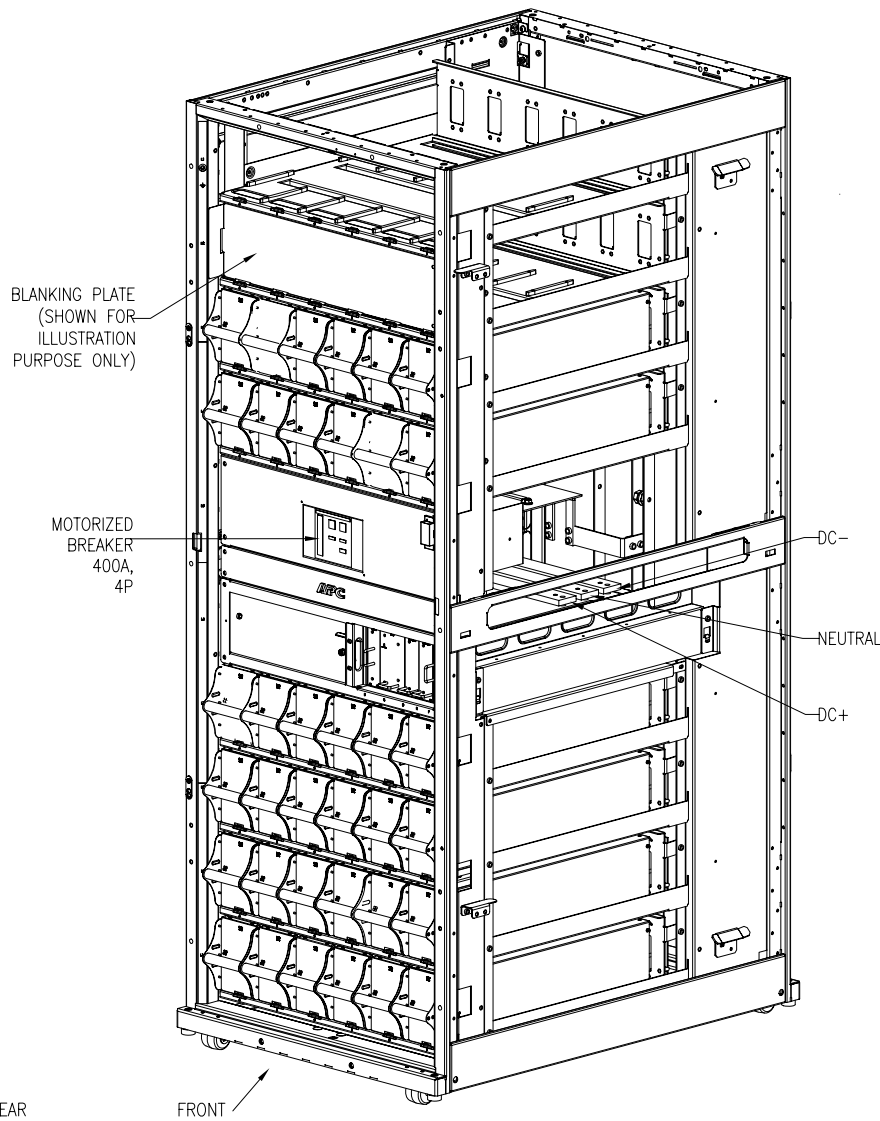
APPROVE: SHERIDAN/E SILVA/C LARSEN/S WAGH 21-FEB-11

REV. 3

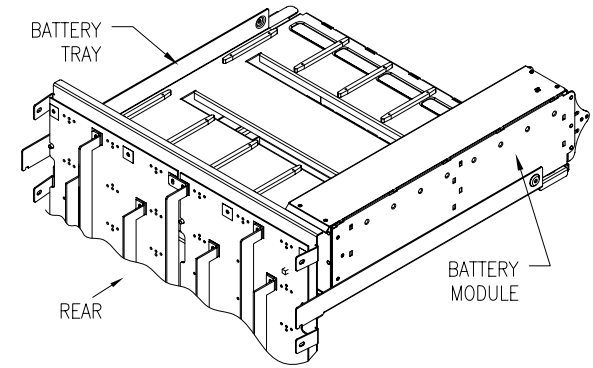
FIRST ANGLE PROJ



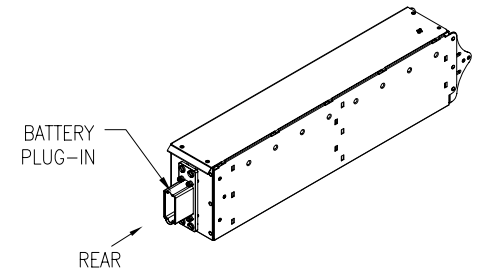
ISOMETRIC VIEW (INTERNAL)



DIMETRIC VIEW (INTERNAL)



BATTERY MODULE ASSEMBLY DETAILS



BATTERY MODULE

NOTES:

1. INSTALLATION SHALL COMPLY WITH ALL APPLICABLE NATIONAL, STATE AND LOCAL CODES.
2. PLEASE REFER TO THE PRODUCT MANUALS FOR ADDITIONAL DETAILS.
3. SOME MECHANICAL DETAILS NOT SHOWN FOR CLARITY PURPOSE.

THIS DRAWING AND SPECIFICATIONS HEREIN ARE THE PROPERTY OF SCHNEIDER ELECTRIC AND SHALL NOT BE COPIED, REPRODUCED OR USED IN WHOLE OR IN PART, AS THE BASIS FOR THE MANUFACTURE OR SALE OF ITEMS WITHOUT WRITTEN PERMISSION FROM SCHNEIDER ELECTRIC. THIS DRAWING IS BASED UPON LATEST AVAILABLE INFORMATION AND IS SUBJECT TO CHANGE WITHOUT NOTICE.



TITLE: InfracXure
 SYMMETRA PX 250/500
 BATTERY CABINET WITH 8 BATTERY MODULES
 480V, 3PH
 INTERNAL-ISOMETRIC VIEW
 PROJECT: SUBMITTAL DRAWINGS SHEET 5 OF 5

DWG NO: SYBFXR8-8-ME2
 DRAWN: K NAGENDRA
 ENGINEER: T SURETTE
 APPROVE: SHERIDAN/E SILVA/C LARSEN/S WAGH

REV. 2
 15-JUL-09
 15-JUL-09
 15-JUL-09
 FIRST ANGLE PROJ