

NOTES:

1. ALL DIMENSIONS ARE IN INCHES [MILLIMETERS].
2. NET WEIGHT IS 12.37 LBS [5.61kg]
3. UNIVERSAL MOUNTING BRACKET IS AN ALTERNATIVE MOUNTING METHOD TO THE TOOLLESS MOUNT FOR NON APC RACKS.
4. BRACKET KITS TO MOUNT TO SPECIFIC COMPETITORS RACKS ARE AVAILABLE AS OPTIONS.
5. INSTALLATION MUST COMPLY WITH ALL APPLICABLE NATIONAL AND LOCAL CODES.

THIS DRAWING AND SPECIFICATIONS HEREIN ARE THE PROPERTY OF AMERICAN POWER CONVERSION AND SHALL NOT BE COPIED, REPRODUCED OR USED IN WHOLE OR IN PART, AS THE BASIS FOR THE MANUFACTURE OR SALE OF ITEMS WITHOUT WRITTEN PERMISSION FROM APC. THIS DRAWING IS BASED UPON LATEST AVAILABLE INFORMATION AND IS SUBJECT TO CHANGE WITHOUT NOTICE.

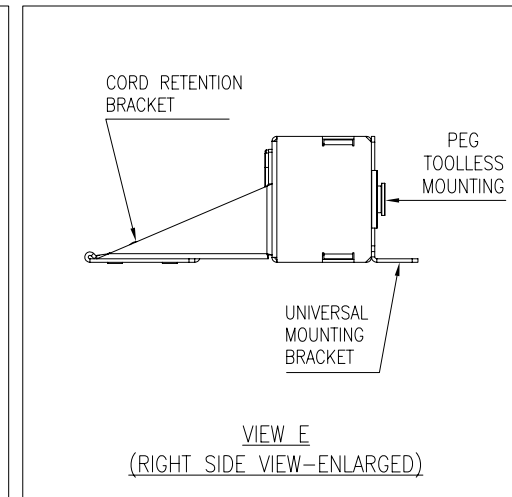
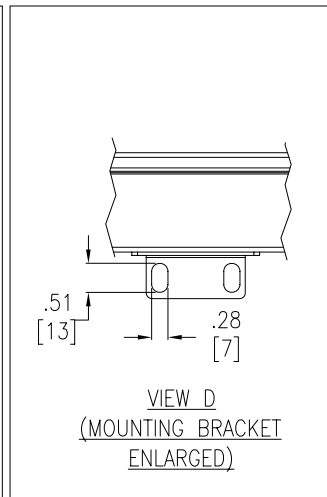
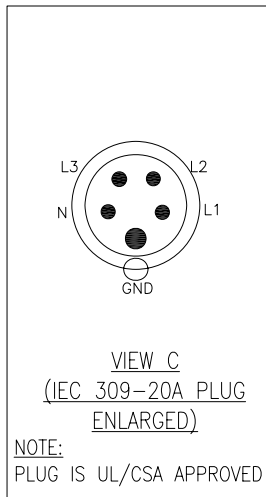
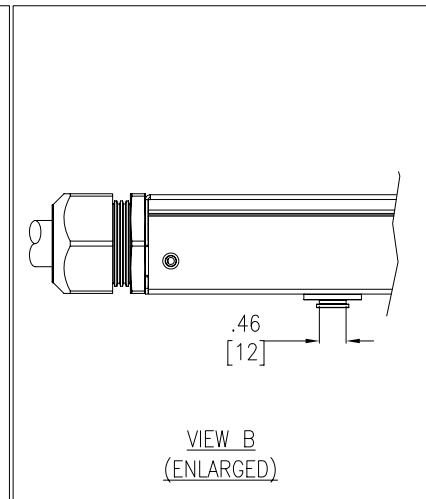
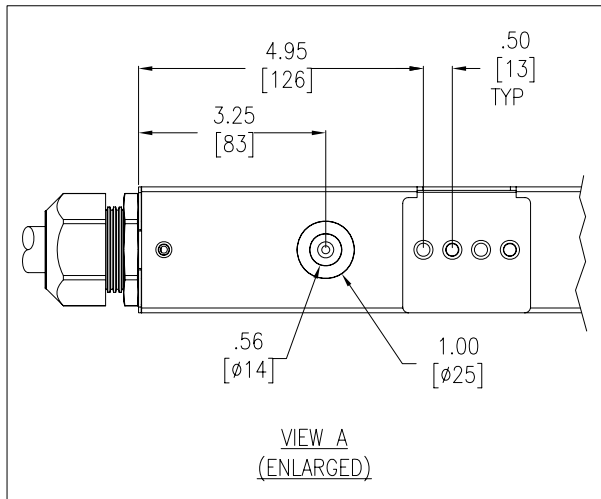


TITLE: RACK PDU, BASIC
 ZERO U, 11kW, 230V, INPUT: IEC 309-20A
 OUTPUT: (36) IEC 320 C13 AND
 (6) IEC 320 C19
 MAIN MECHANICAL

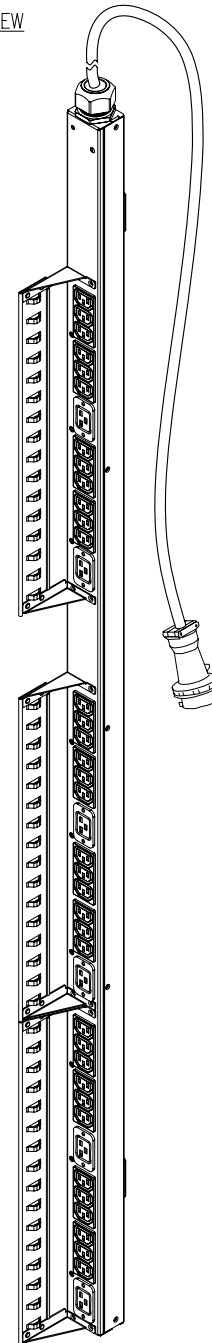
PROJECT: SUBMITTAL DRAWINGS | SHEET 1 OF 2

DWG NO: AP7557NA-MM1 REV: 0

DRAWN:	K.NAGENDRA	03-NOV-08	THIRD
ENGINEER:	HORSTMANN/Y.JIANG	06-NOV-08	ANGLE
APPROVED:	B.SHERIDAN	06-NOV-08	PROJECTION



ISOMETRIC VIEW



NOTES:

1. ALL DIMENSIONS ARE IN INCHES [MILLIMETERS].
2. INSTALLATION MUST COMPLY WITH ALL APPLICABLE NATIONAL AND LOCAL CODES.

THIS DRAWING AND SPECIFICATIONS HEREIN ARE THE PROPERTY OF AMERICAN POWER CONVERSION AND SHALL NOT BE COPIED, REPRODUCED OR USED IN WHOLE OR IN PART, AS THE BASIS FOR THE MANUFACTURE OR SALE OF ITEMS WITHOUT WRITTEN PERMISSION FROM APC. THIS DRAWING IS BASED UPON LATEST AVAILABLE INFORMATION AND IS SUBJECT TO CHANGE WITHOUT NOTICE.



TITLE: RACK PDU, BASIC
ZERO U, 11kW, 230V, INPUT: IEC 309-20A
OUTPUT: (36) IEC 320 C13 AND
(6) IEC 320 C19
DETAILS AND ISOMETRIC VIEW

DWG NO: AP7557NA-MM2 REV: 0

DRAWN:	K.NAGENDRA	03-NOV-08	THIRD
ENGINEER:	HORSTMANN/Y.JIANG	06-NOV-08	ANGLE
APPROVED:	B.SHERIDAN	06-NOV-08	PROJECTION

PROJECT: SUBMITTAL DRAWINGS SHEET 2 OF 2