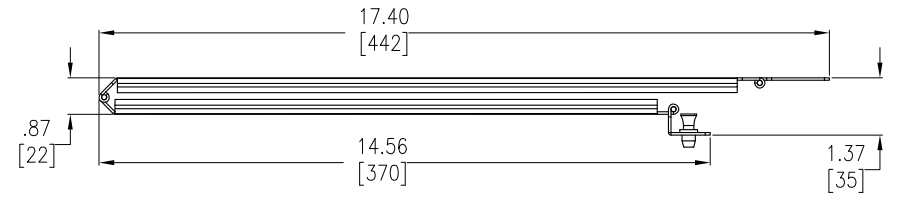
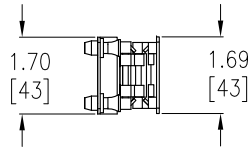


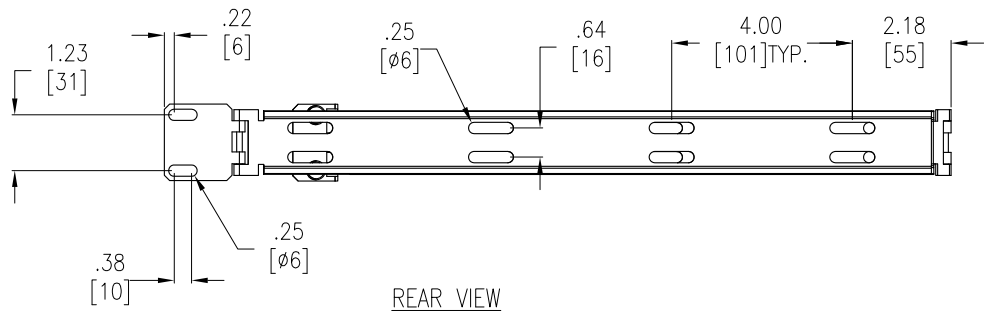
FRONT VIEW



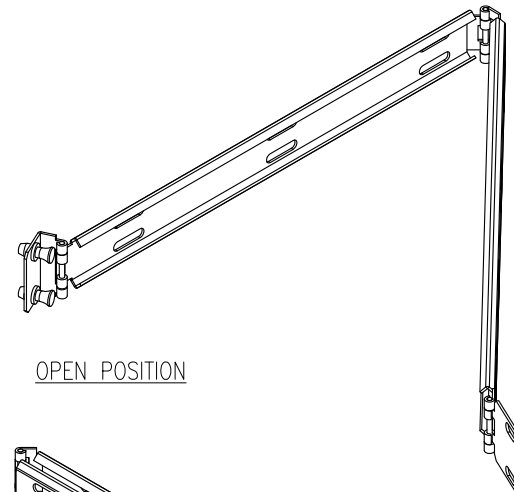
VIEW-A



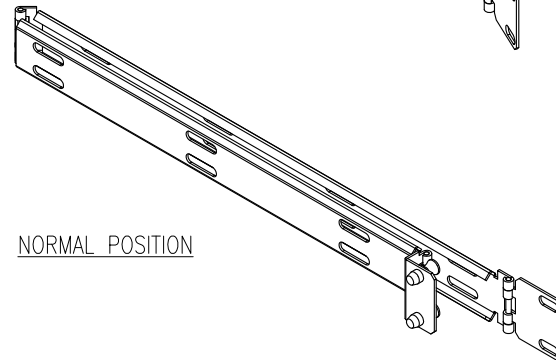
VIEW-B



REAR VIEW



OPEN POSITION



NORMAL POSITION

ISOMETRIC VIEWS

**NOTES:**

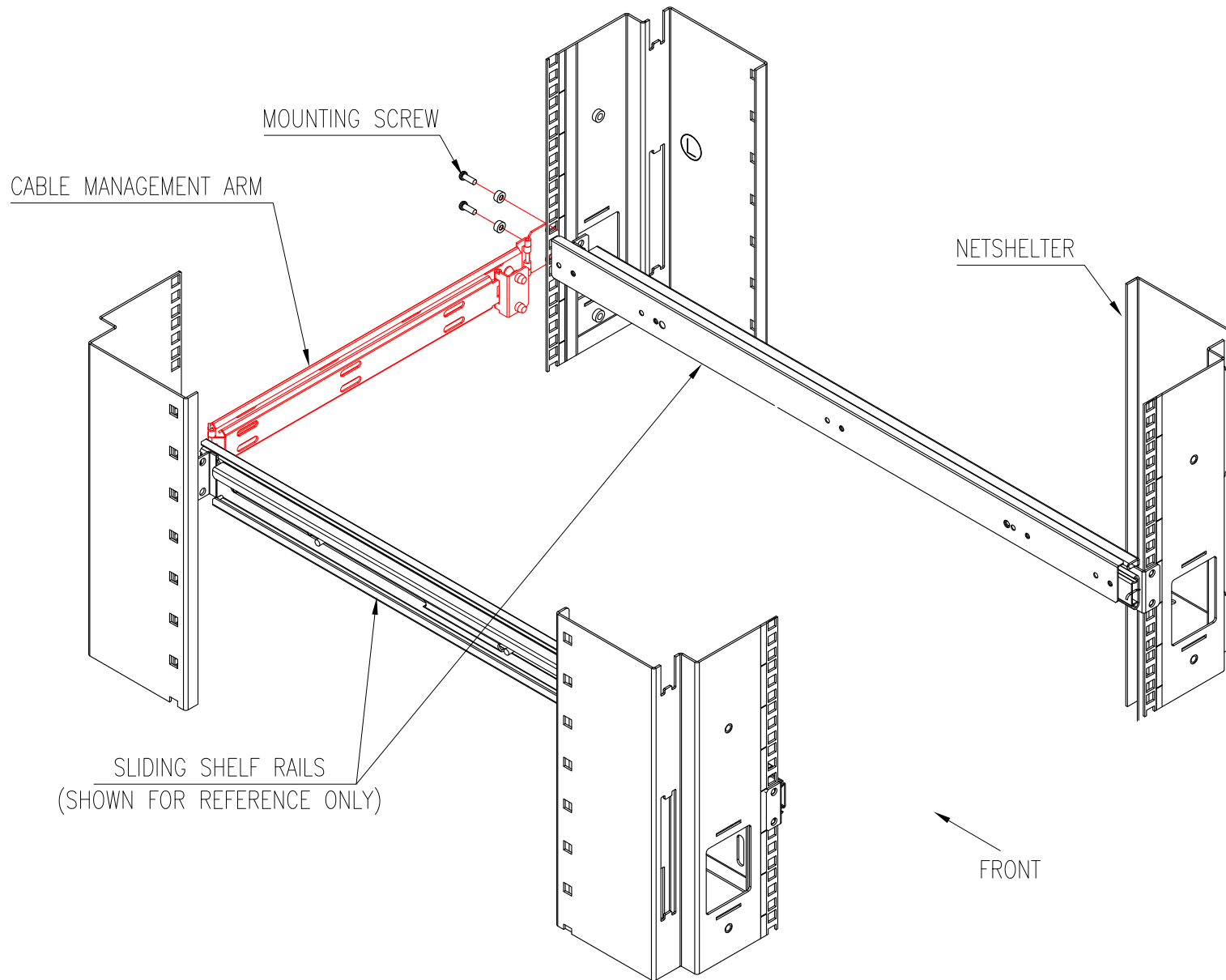
1. INSTALLATION SHALL COMPLY WITH ALL APPLICABLE NATIONAL AND LOCAL CODES.
2. SEE PRODUCT DOCUMENTATION FOR FURTHER INFORMATION.
3. UNLESS OTHERWISE SPECIFIED, ALL DIMENSIONS ARE IN INCHES [MILLIMETERS].
4. WEIGHT OF UNIT IS 1.0 LBS [0.45 kg].

THIS DRAWING AND SPECIFICATIONS HEREIN ARE THE PROPERTY OF SCHNEIDER ELECTRIC AND SHALL NOT BE COPIED, REPRODUCED OR USED IN WHOLE OR IN PART, AS THE BASIS FOR THE MANUFACTURE OR SALE OF ITEMS WITHOUT WRITTEN PERMISSION FROM SCHNEIDER ELECTRIC. THIS DRAWING IS BASED UPON LATEST AVAILABLE INFORMATION AND IS SUBJECT TO CHANGE WITHOUT NOTICE.



TITLE: CABLE MANAGEMENT ARM MAIN MECHANICAL	
PROJECT: STD SUBMITTAL DRAWINGS	SHEET 1 OF 2

DWG NO:	<b>AR8129</b>		REV	<b>0</b>
DRAWN BY:	K NAGENDRA	18-FEB-08	PROJ	ANGLE
ENGINEER:	M UHRHAN/B OLIVER	18-FEB-08		N/A
APPROVED BY:	USHERDANE SILVANO LARSENIS 0434	18-FEB-08		



ISOMETRIC VIEW  
TYPICAL INSTALLATION

NOTES:

1. INSTALLATION SHALL COMPLY WITH ALL APPLICABLE NATIONAL AND LOCAL CODES.
2. SEE PRODUCT DOCUMENTATION FOR FURTHER INFORMATION.

THIS DRAWING AND SPECIFICATIONS HEREIN ARE THE PROPERTY OF SCHNEIDER ELECTRIC AND SHALL NOT BE COPIED, REPRODUCED OR USED IN WHOLE OR IN PART, AS THE BASIS FOR THE MANUFACTURE OR SALE OF ITEMS WITHOUT WRITTEN PERMISSION FROM SCHNEIDER ELECTRIC. THIS DRAWING IS BASED UPON LATEST AVAILABLE INFORMATION AND IS SUBJECT TO CHANGE WITHOUT NOTICE.



TITLE:  
CABLE MANAGEMENT ARM  
ASSEMBLY

PROJECT: STD SUBMITTAL DRAWINGS SHEET 2 OF 2

DWG NO: **AR8129**

DRAWN BY: K NAGENDRA 18-FEB-08

ENGINEER: M UHRHAN/B OLIVER 18-FEB-08

APPROVED BY: USHERDANE SILVAC LARSEN/S NASH 18-FEB-08

REV **0**

PROJ  
ANGLE  
N/A