

NOTES:

1. ALL DIMENSIONS ARE IN INCHES [MILLIMETERS].
2. NET WEIGHT IS 4.50 LBS [2.05 kg]
3. LENGTH OF THE CORD IS 98.50 INCHES [2500 mm].
4. PACKAGED WITH TWO DIFFERENT SETS OF MOUNTING BRACKETS
(FOR HORIZONTAL AND VERTICAL MOUNTING)
5. INSTALLATION MUST COMPLY WITH ALL APPLICABLE NATIONAL AND LOCAL CODES.

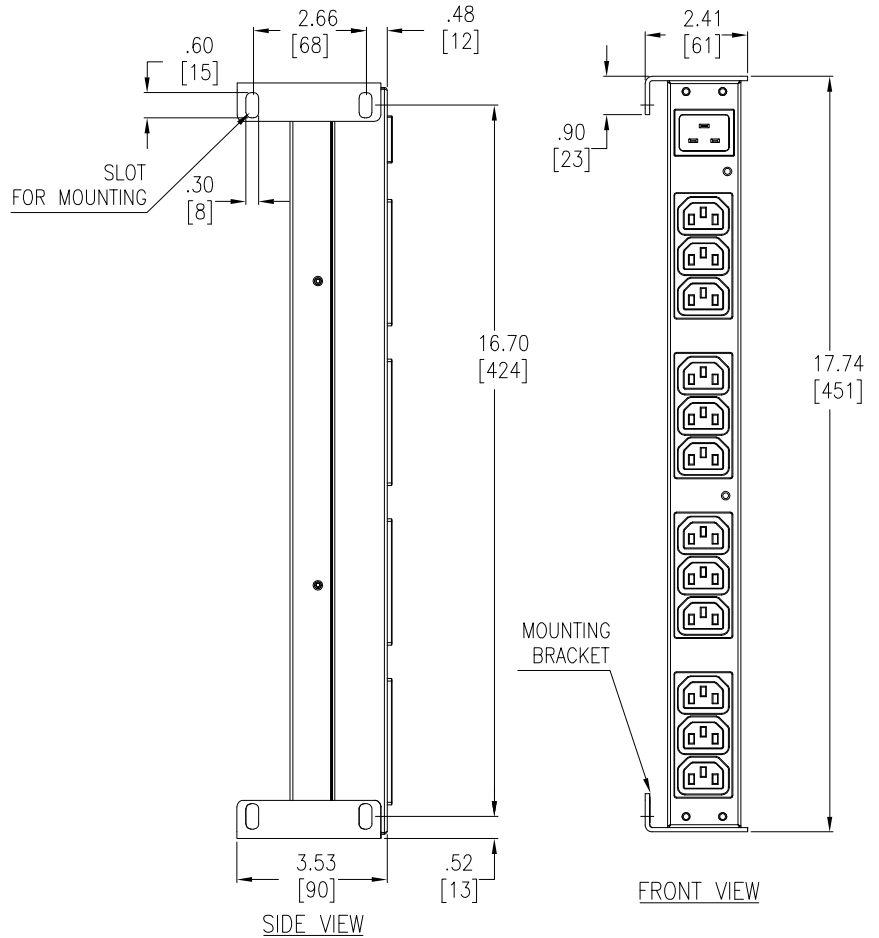
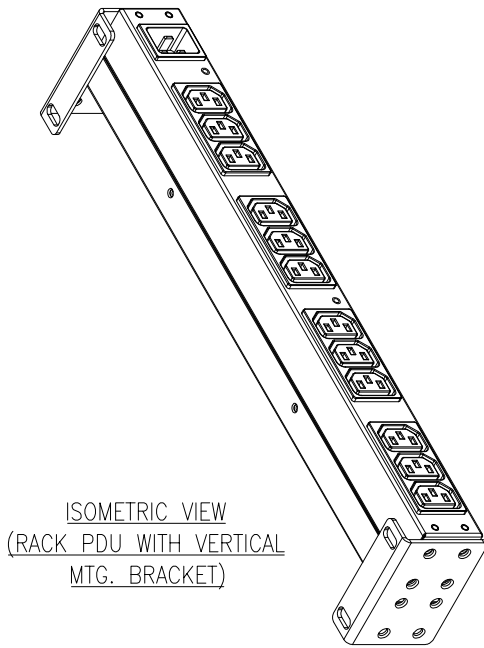
THIS DRAWING AND SPECIFICATIONS HEREIN ARE THE PROPERTY OF AMERICAN POWER CONVERSION AND SHALL NOT BE COPIED, REPRODUCED OR USED IN WHOLE OR IN PART, AS THE BASIS FOR THE MANUFACTURE OR SALE OF ITEMS WITHOUT WRITTEN PERMISSION FROM APC. THIS DRAWING IS BASED UPON LATEST AVAILABLE INFORMATION AND IS SUBJECT TO CHANGE WITHOUT NOTICE.

TITLE: RACK PDU, BASIC
 1U,16A, 208V/230V, INPUT: IEC-320 C20
 OUTPUT: (12)IEC 320 C13
 MAIN MECHANICAL
 PROJECT: SUBMITTAL DRAWING SHEET 1 OF 2

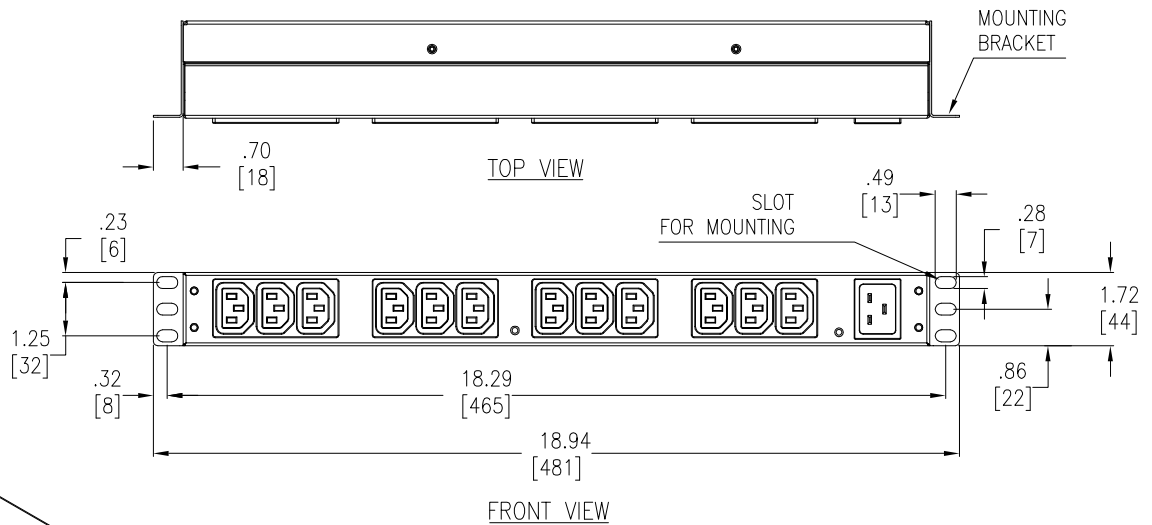
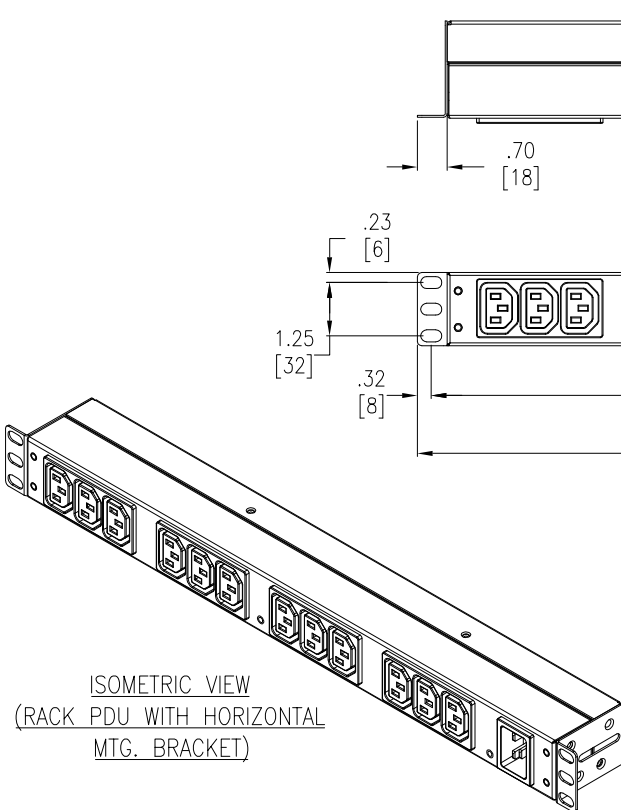
DWG NO: AP9565-MM1 REV. _
 DRAWN BY: NAGENDRA 02/10/06
 CHECKED BY: T.HORSTMANN 02/10/06
 ENGINEER: J.RING/ E.SILVA 02/10/06



OPTION-1: VERTICAL MOUNTING



OPTION-2: HORIZONTAL MOUNTING



NOTES:

1. ALL DIMENSIONS ARE IN INCHES [MILLIMETERS].
2. INSTALLATION MUST COMPLY WITH ALL APPLICABLE NATIONAL AND LOCAL CODES.

THIS DRAWING AND SPECIFICATIONS HEREIN ARE THE PROPERTY OF AMERICAN POWER CONVERSION AND SHALL NOT BE COPIED, REPRODUCED OR USED IN WHOLE OR IN PART, AS THE BASIS FOR THE MANUFACTURE OR SALE OF ITEMS WITHOUT WRITTEN PERMISSION FROM APC. THIS DRAWING IS BASED UPON LATEST AVAILABLE INFORMATION AND IS SUBJECT TO CHANGE WITHOUT NOTICE.

TITLE: RACK PDU, BASIC
1U,16A, 208V/230V, INPUT: IEC-320 C20
OUTPUT: (12)IEC 320 C13
MOUNTING DETAILS
PROJECT: SUBMITTAL DRAWING SHEET 2 OF 2

DWG NO: AP9565-MM2
REV: _
DRAWN BY: NAGENDRA 02/10/06
CHECKED BY: T.HORSTMANN 02/10/06
ENGINEER: J.RING/ E.SILVA 02/10/06

