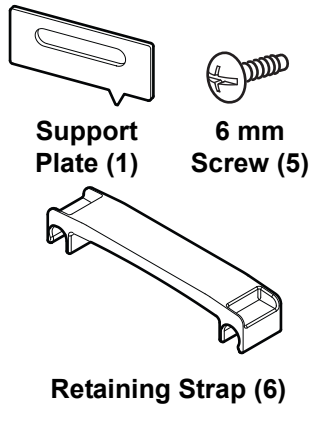
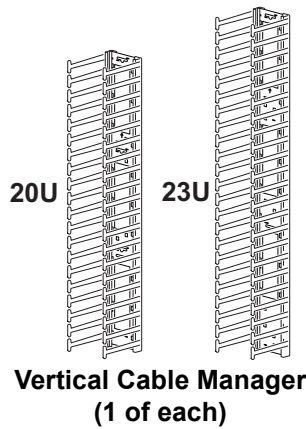


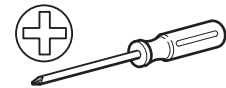
Vertical Cable Manager for NetShelter™ SX 750 mm 45U Cabinet

AR7585

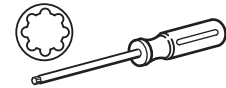
Inventory



Tools required
(not provided)



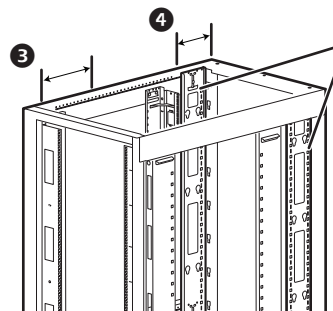
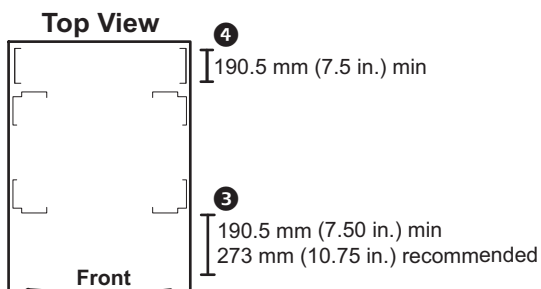
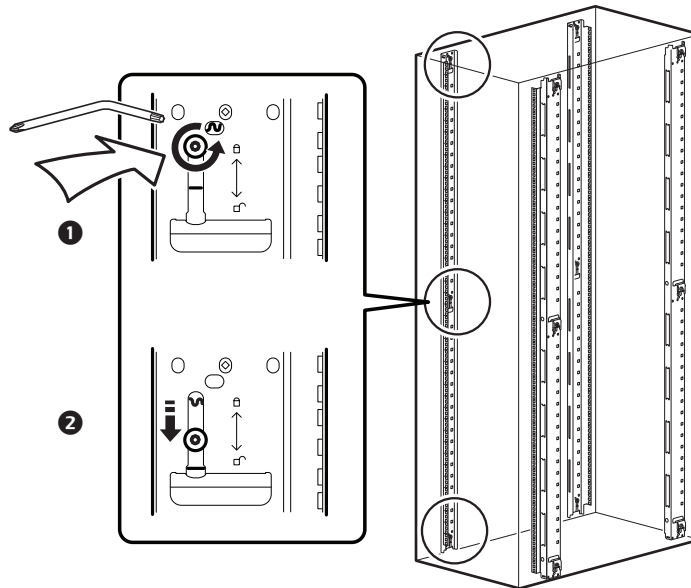
Phillips Screwdriver



TORX® T30/#2

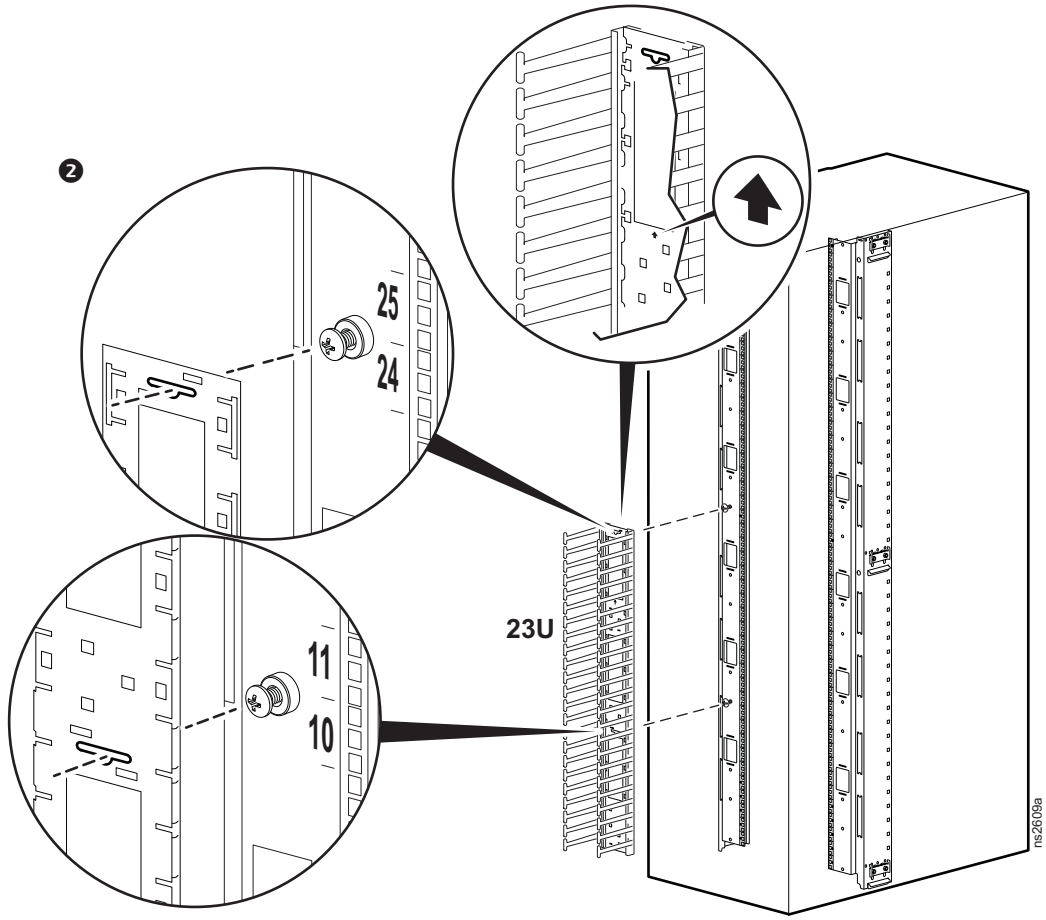
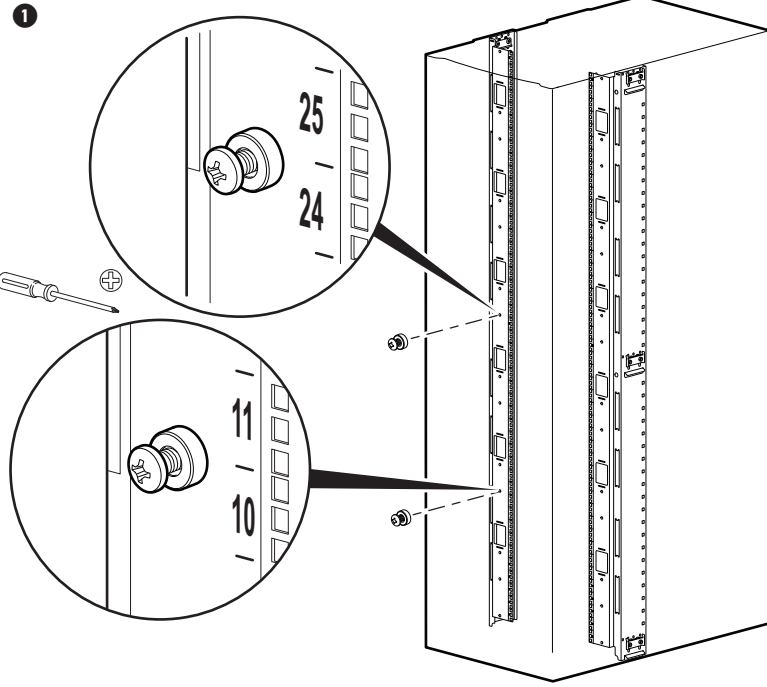
NOTE: For use with AR3155 and AR3355.

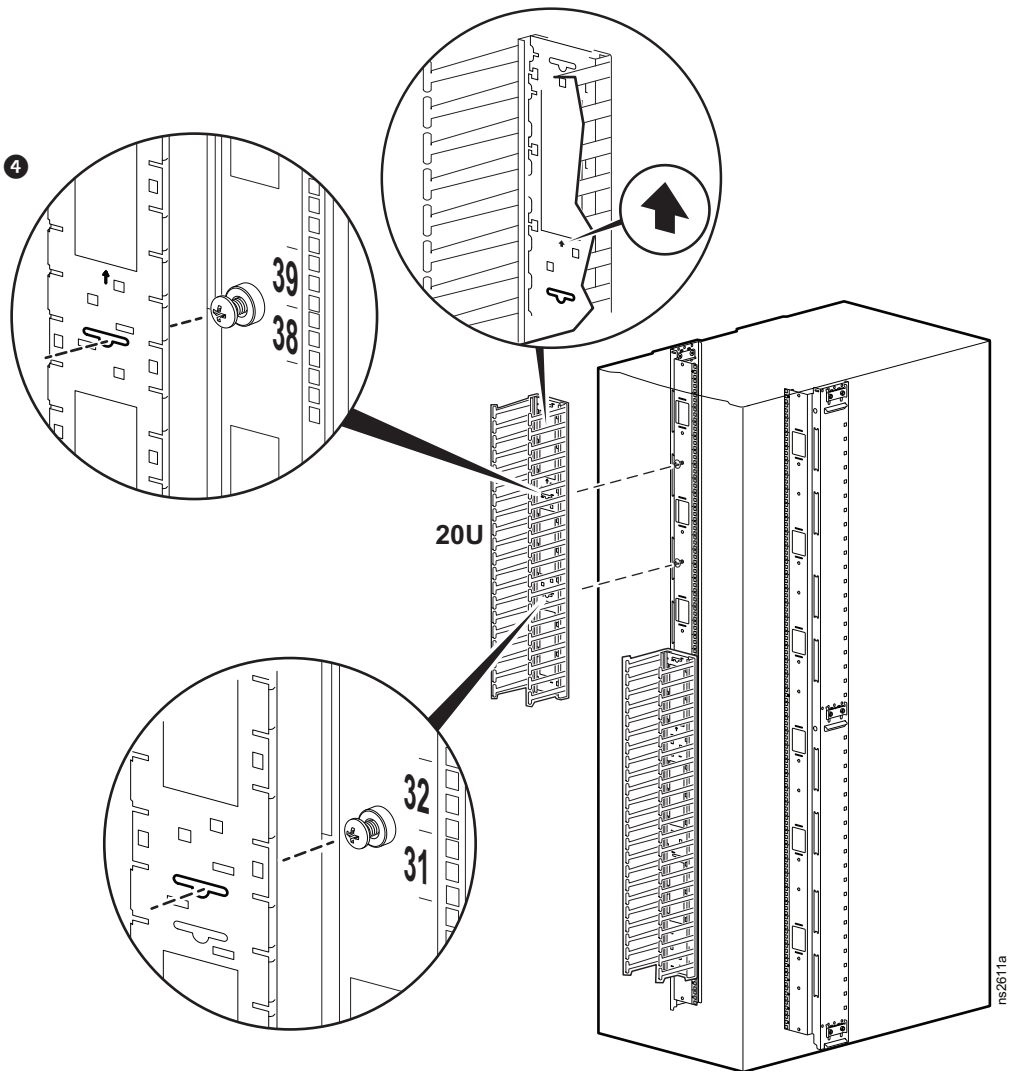
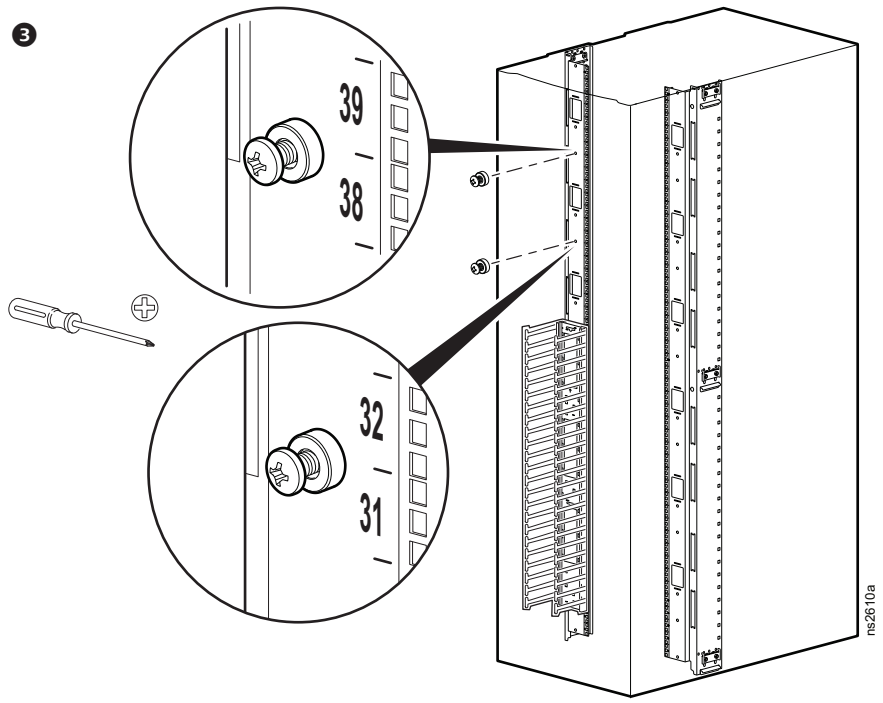
Preparation

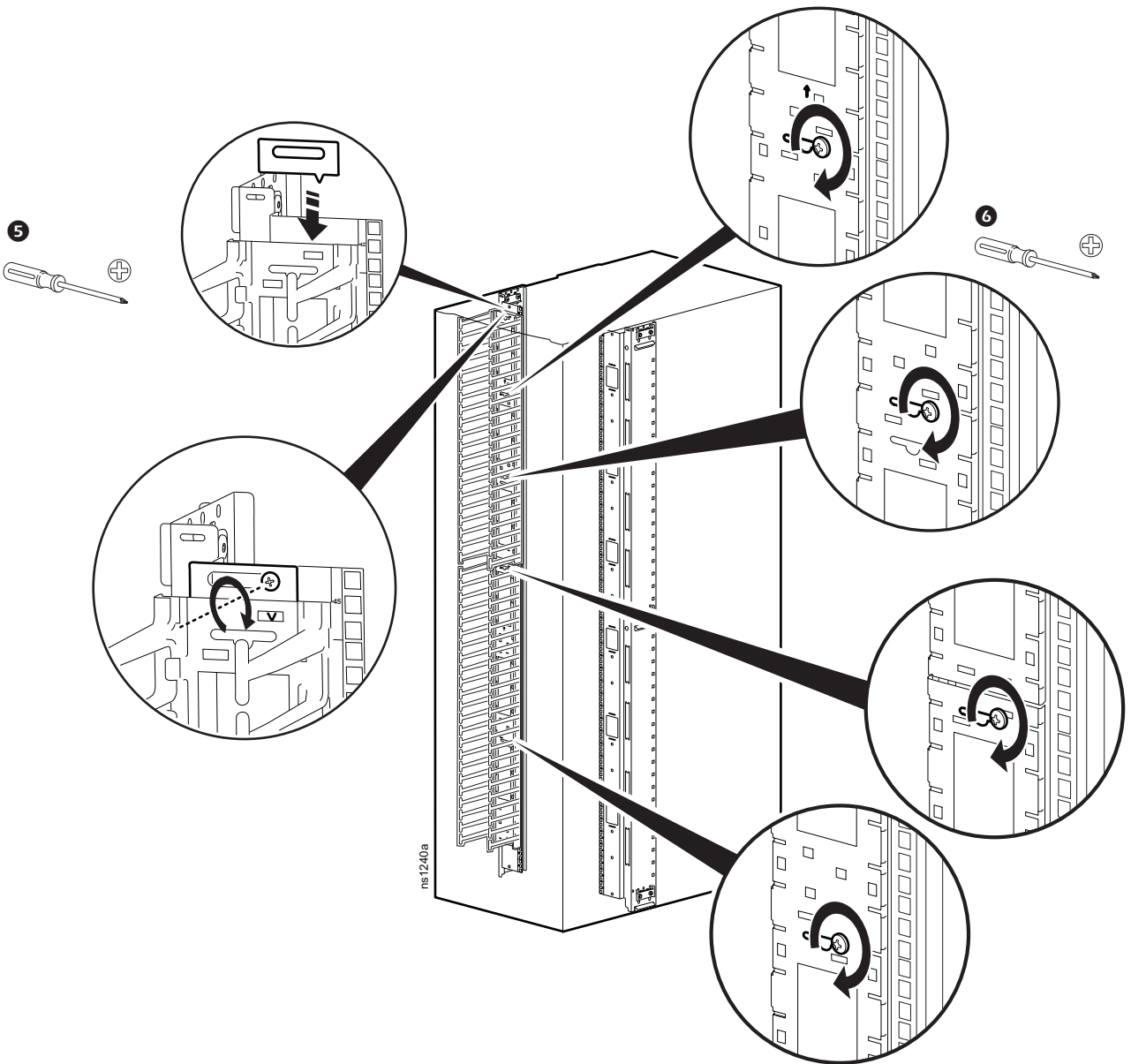


NOTE: Move or remove the vertical 0U Accessory Channel for rear of cabinet installation.

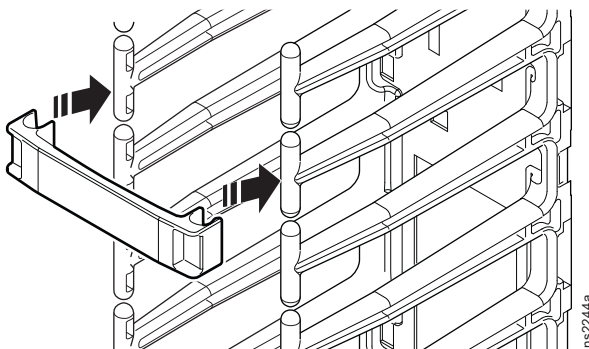
Installation







ns1240a



ns2244a