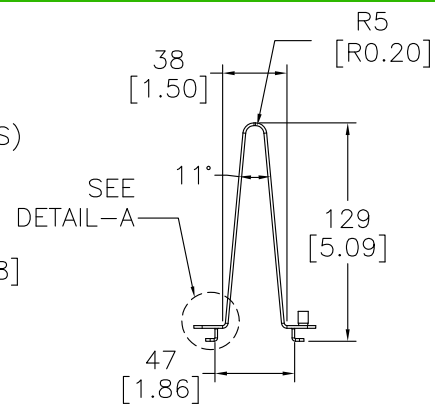
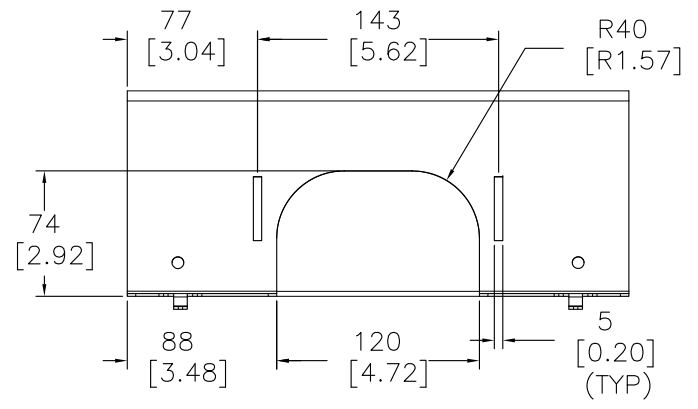


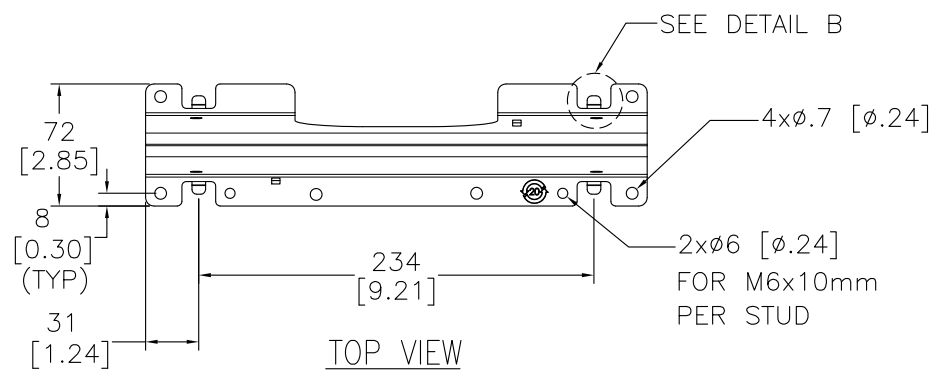
FRONT VIEW



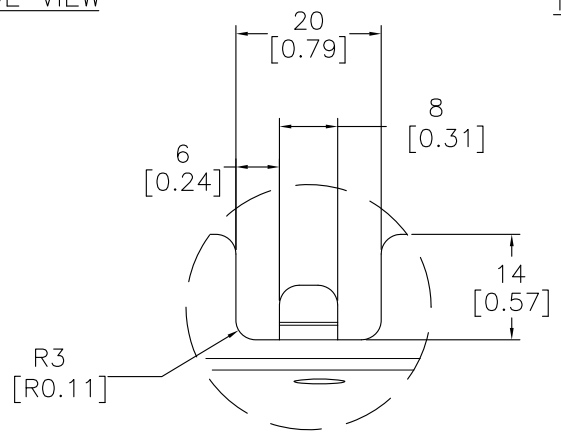
SIDE VIEW



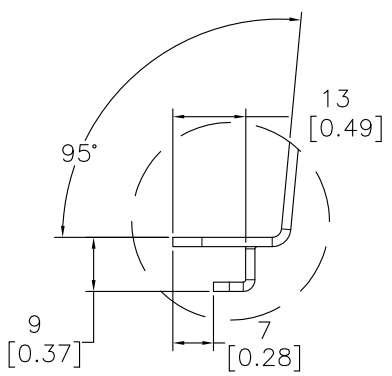
REAR VIEW



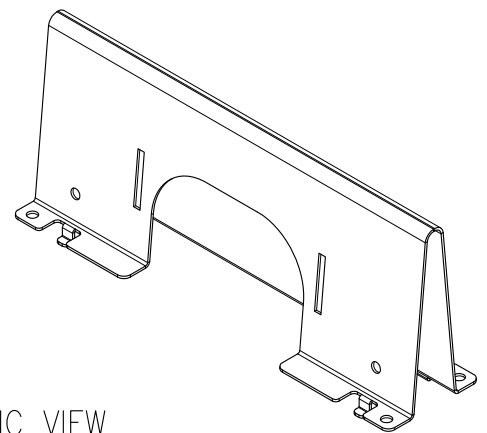
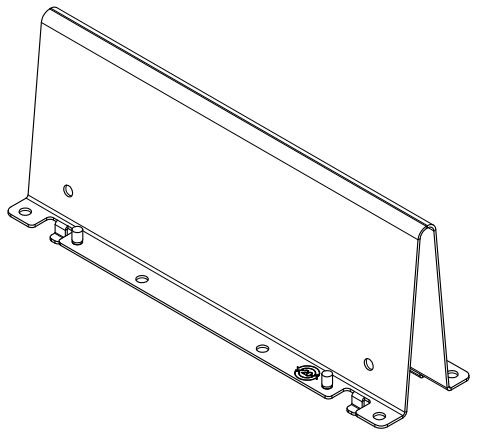
TOP VIEW



DETAIL-B
(ENLARGED)



DETAIL-A
(ENLARGED)



ISOMETRIC VIEW

- NOTES:**
1. INSTALLATION SHALL COMPLY WITH ALL APPLICABLE NATIONAL, STATE AND LOCAL CODES.
 2. SEE PRODUCT DOCUMENTATION FOR FURTHER INFORMATION
 3. UNLESS OTHERWISE SPECIFIED, ALL DIMENSIONS ARE IN MILLIMETERS[INCHES].
 4. NET WEIGHT OF UNIT IS 0.84kg [1.85LBS].

THIS DRAWING AND SPECIFICATIONS HEREIN ARE THE PROPERTY OF SCHNEIDER ELECTRIC AND SHALL NOT BE COPIED, REPRODUCED OR USED IN WHOLE OR IN PART, AS THE BASIS FOR THE MANUFACTURE OR SALE OF ITEMS WITHOUT WRITTEN PERMISSION FROM SCHNEIDER ELECTRIC. THIS DRAWING IS BASED UPON LATEST AVAILABLE INFORMATION AND IS SUBJECT TO CHANGE WITHOUT NOTICE.



TITLE:
DATA CABLE PARTITION
FOR NetShelter, 300mm

PROJECT: SUBMITTAL DRAWINGS SHEET 1 OF 1

DWG NO: AR8184

APPROVED BY: B. SHERMAN / S. MIAO / C. LARSEN / S. WONG

REV. 0

FIRST ANGLE PROJ