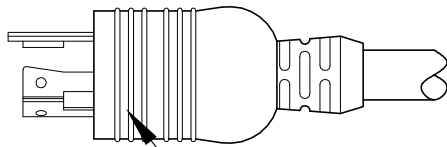
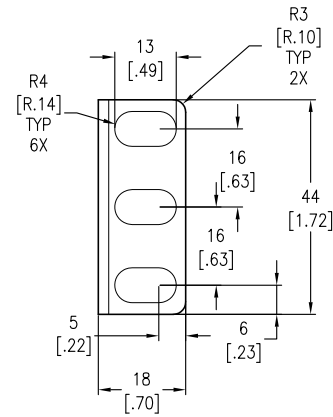


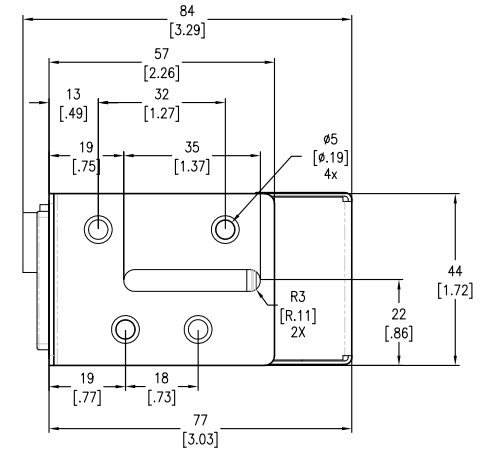
VIEW B
INPUT PLUG



DETAIL A
INPUT PLUG



DETAIL B
MOUNTING BRACKET



VIEW A
INPUT PLUG

NOTES:

1. INSTALLATION SHALL COMPLY WITH ALL APPLICABLE NATIONAL, STATE AND LOCAL CODES.
2. SEE PRODUCT DOCUMENTATION FOR FURTHER INFORMATION
3. UNLESS OTHERWISE SPECIFIED, ALL DIMENSIONS ARE IN MILLIMETERS [INCHES].
4. NET WEIGHT IS 2.55KG [5.60 LBS]
5. CORD LENGTH IS 3.66 METERS [12 FT]
6. BRACKET KITS TO MOUNT IN SPECIFIC COMPETITORS RACKS ARE AVAILABLE AS OPTIONS.

THIS DRAWING AND SPECIFICATIONS HEREIN ARE THE PROPERTY OF SCHNEIDER ELECTRIC AND SHALL NOT BE COPIED, REPRODUCED OR USED IN WHOLE OR IN PART, AS THE BASIS FOR THE MANUFACTURE OR SALE OF ITEMS WITHOUT WRITTEN PERMISSION FROM SCHNEIDER ELECTRIC. THIS DRAWING IS BASED UPON LATEST AVAILABLE INFORMATION AND IS SUBJECT TO CHANGE WITHOUT NOTICE.

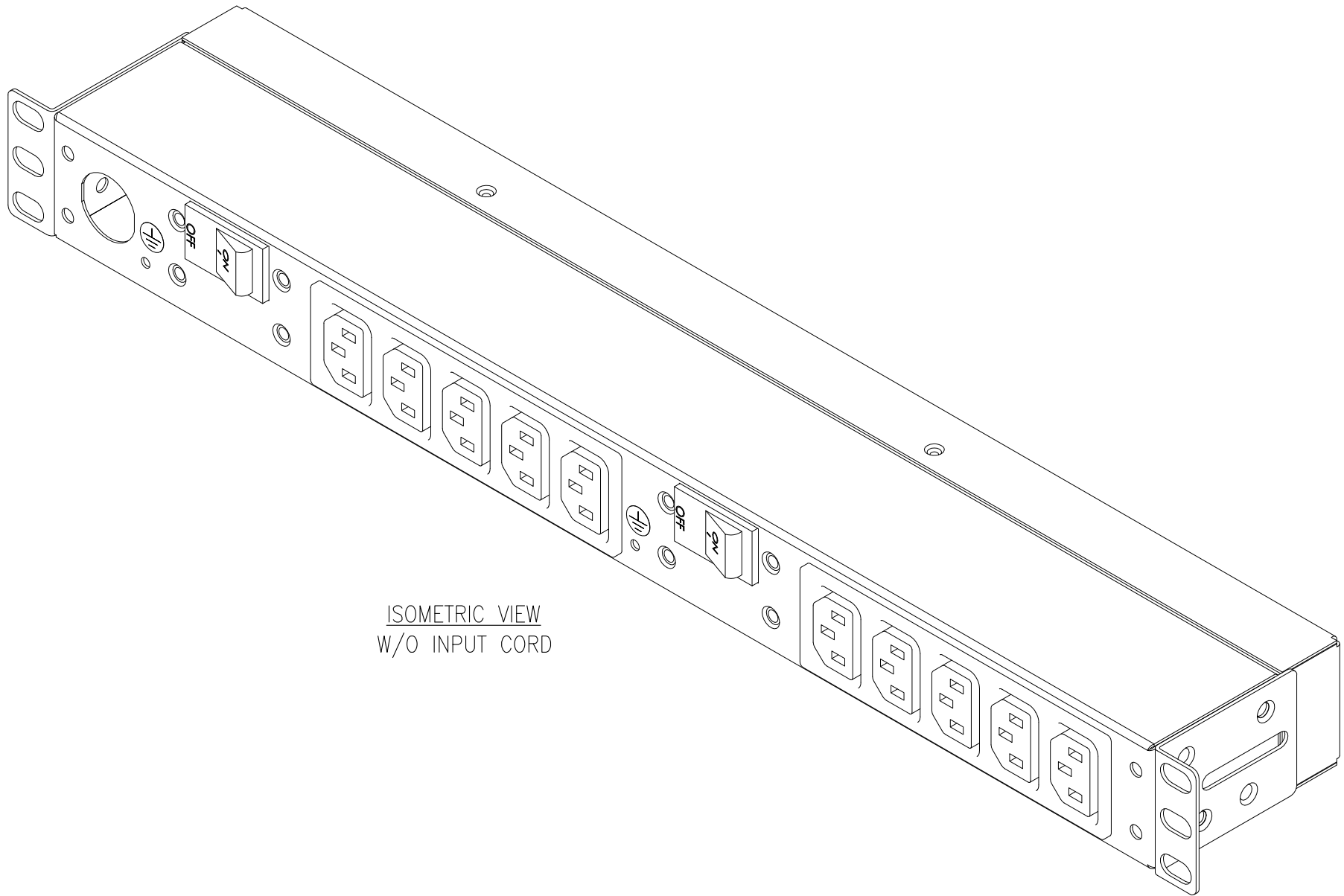


TITLE: RACK PDU, BASIC, 1U
DOUBLE POLE CBs
INPUT: 208VAC, 30A, NEMA L6-30P
OUTPUT: 208VAC, (10) IEC320-C13
MECHANICAL LAYOUT

PROJECT: STD SUBMITTAL DRAWINGS SHEET 1 OF 2

DWG NO: AP9571A REV. 3

DRAWN BY: M CRAVEN/S CUNHA	02-JUL-14	THIRD
ENGINEER: T HORSTMANN/Y JIANG	02-JUL-14	ANGLE
APPROVED BY: B SHERIDAN/F DOSA/S WACH	02-JUL-14	PROJ



ISOMETRIC VIEW
W/O INPUT CORD

NOTES:
1. SEE SHEET 1

THIS DRAWING AND SPECIFICATIONS HEREIN ARE THE PROPERTY OF SCHNEIDER ELECTRIC AND SHALL NOT BE COPIED, REPRODUCED OR USED IN WHOLE OR IN PART, AS THE BASIS FOR THE MANUFACTURE OR SALE OF ITEMS WITHOUT WRITTEN PERMISSION FROM SCHNEIDER ELECTRIC. THIS DRAWING IS BASED UPON LATEST AVAILABLE INFORMATION AND IS SUBJECT TO CHANGE WITHOUT NOTICE.



TITLE: RACK PDU, BASIC, 1U
DOUBLE POLE CBs
INPUT: 208VAC, 30A, NEMA L6-30P
OUTPUT: 208VAC, (10) IEC320-C13
ISOMETRIC VIEW

PROJECT: STD SUBMITTAL DRAWINGS SHEET 2 OF 2

DWG NO: AP9571A

DRAWN BY: M CRAVEN/S CUNHA 02-JUL-14

ENGINEER: T HORSTMANN/Y JIANG 02-JUL-14

APPROVED BY: B SHERIDAN/F DIOSA/S WACH 02-JUL-14

REV. 3

THIRD

ANGLE

PROJ