

ALL VIEWS ARE OF THE RECEIVER IN INSULATION  
 ACTUAL RECEIVER VESSEL IS 6.00 O.D. X .125 WALL  
 OVERALL HEIGHT OF 18.00  
 WP 675 psig  
 WITHOUT INSULATION  
 SEE SHEET 2

NOTES:

1. INSTALLATION SHALL COMPLY WITH ALL APPLICABLE NATIONAL, STATE, AND LOCAL CODES.
2. SEE PRODUCT DOCUMENTATION FOR FURTHER INFORMATION.
3. NET WEIGHT IS 7.74KG [17.00 LBS]
4. UNLESS OTHERWISE SPECIFIED, ALL DIMENSIONS ARE MILLIMETERS [INCHES]

THIS DRAWING AND SPECIFICATIONS HEREIN ARE THE PROPERTY OF SCHNEIDER ELECTRIC AND SHALL NOT BE COPIED, REPRODUCED OR USED IN WHOLE OR IN PART, AS THE BASIS FOR THE MANUFACTURE OR SALE OF ITEMS WITHOUT WRITTEN PERMISSION FROM SCHNEIDER ELECTRIC. THIS DRAWING IS BASED UPON LATEST AVAILABLE INFORMATION AND IS SUBJECT TO CHANGE WITHOUT NOTICE.



TITLE:

FLOODED RECEIVER  
 R410A, 0.6" O.D. x 18"  
 RECEIVER ASSEMBLY

DWG NO:

ACAC75009

REV. 0

DRAWN:

M CRAVEN

20-MAR-09

FIRST

ENGINEER:

M FIACCO/M BROWN

20-MAR-09

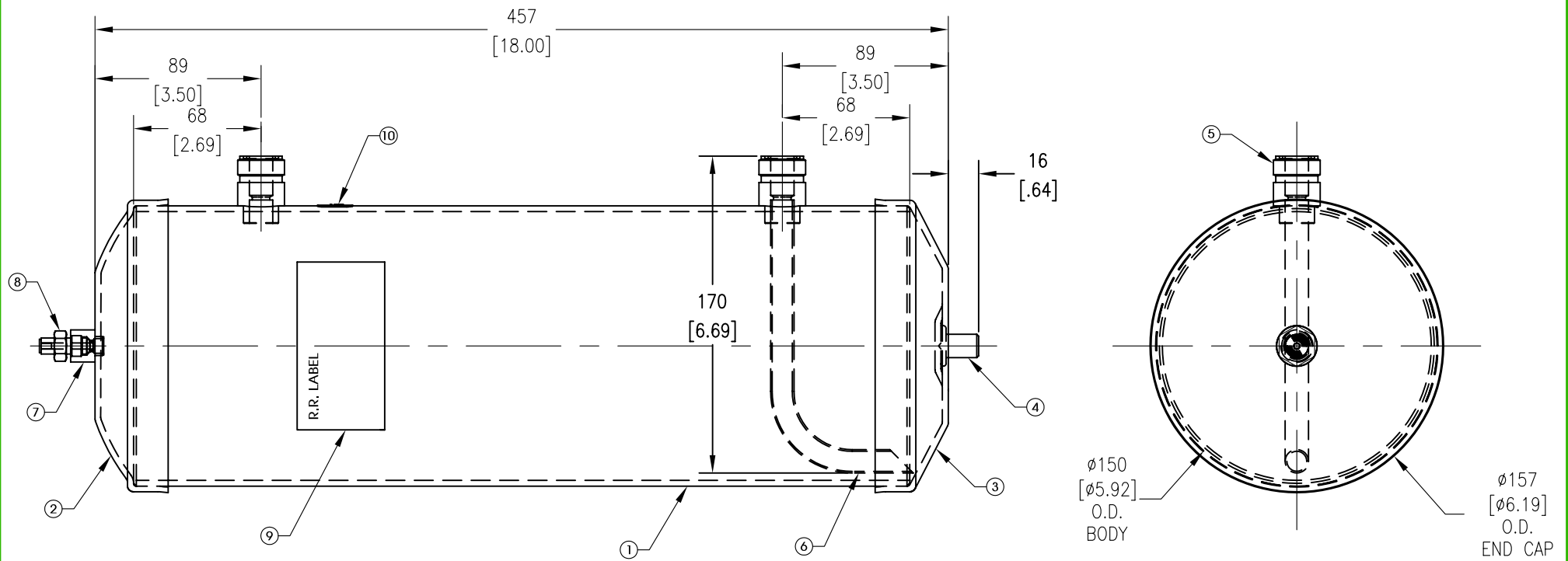
ANGLE

PROJECT: SUBMITTAL DRAWINGS | SHEET 1 OF 2

APPROVED: C CUMMISKY/C ZALDVAR

23-MAR-09

PROJ



ITEM NO	QTY	DESCRIPTION
1	1	6.000 O.D. X .125 WALL HR GR. 65
2	1	END CAP
3	1	END CAP
4	1	1/2-13 UNC-2A STUD
5	2	1.00-14 UNS-2A ROTALOCK SPUD
6	1	.500 O.D. QUILL
7	1	.25 FEMALE FLARE FITT.
8	1	REMOVABLE FUSIBLE FITT. (430°F)
9	1	U.L./C.U.L. LISTED PART LABEL
10	1	IN TAG

**NOTES:**

1. INSTALLATION SHALL COMPLY WITH ALL APPLICABLE NATIONAL, STATE, AND LOCAL CODES.
2. SEE PRODUCT DOCUMENTATION FOR FURTHER INFORMATION.
3. NET WEIGHT IS 7.74KG [17.00 LBS]
4. UNLESS OTHERWISE SPECIFIED, ALL DIMENSIONS ARE MILLIMETERS [INCHES]

THIS DRAWING AND SPECIFICATIONS HEREIN ARE THE PROPERTY OF SCHNEIDER ELECTRIC AND SHALL NOT BE COPIED, REPRODUCED OR USED IN WHOLE OR IN PART, AS THE BASIS FOR THE MANUFACTURE OR SALE OF ITEMS WITHOUT WRITTEN PERMISSION FROM SCHNEIDER ELECTRIC. THIS DRAWING IS BASED UPON LATEST AVAILABLE INFORMATION AND IS SUBJECT TO CHANGE WITHOUT NOTICE.



TITLE:  
FLOODED RECEIVER  
R410A, ø6" O.D. x 18"  
RECEIVER MECHANICAL DETAILS

DWG NO: ACAC75009 REV. 0

DRAWN: M CRAVEN	20-MAR-09	FIRST ANGLE
ENGINEER: M FIACCO/M BROWN	20-MAR-09	PROJ
APPROVED: C CUMMISKY/C ZALDIWAR	23-MAR-09	

PROJECT: SUBMITTAL DRAWINGS SHEET 2 OF 2