

Parallel Maintenance Bypass Panel

For Easy UPS 3S, Easy UPS 3S Pro

Installation

E3SOPT006

Latest updates are available on the Schneider Electric website

07/2025



Legal Information

The information provided in this document contains general descriptions, technical characteristics and/or recommendations related to products/solutions.

This document is not intended as a substitute for a detailed study or operational and site-specific development or schematic plan. It is not to be used for determining suitability or reliability of the products/solutions for specific user applications. It is the duty of any such user to perform or have any professional expert of its choice (integrator, specifier or the like) perform the appropriate and comprehensive risk analysis, evaluation and testing of the products/solutions with respect to the relevant specific application or use thereof.

The Schneider Electric brand and any trademarks of Schneider Electric SE and its subsidiaries referred to in this document are the property of Schneider Electric SE or its subsidiaries. All other brands may be trademarks of their respective owner.

This document and its content are protected under applicable copyright laws and provided for informative use only. No part of this document may be reproduced or transmitted in any form or by any means (electronic, mechanical, photocopying, recording, or otherwise), for any purpose, without the prior written permission of Schneider Electric.

Schneider Electric does not grant any right or license for commercial use of the document or its content, except for a non-exclusive and personal license to consult it on an "as is" basis.

Schneider Electric reserves the right to make changes or updates with respect to or in the content of this document or the format thereof, at any time without notice.

To the extent permitted by applicable law, no responsibility or liability is assumed by Schneider Electric and its subsidiaries for any errors or omissions in the informational content of this document, as well as any non-intended use or misuse of the content thereof.

Table of Contents

Important Safety Instructions — SAVE THESE	
INSTRUCTIONS	5
Electromagnetic Compatibility	6
Safety Precautions	6
Electrical Safety.....	8
Overview of UPS System with Parallel Maintenance Bypass	
Panel.....	9
Specifications for 400 V Systems	11
Specifications for 208 V Systems	12
Specifications	13
Recommended Bolts and Cable Lugs	13
Torque Specifications.....	13
Parallel Maintenance Bypass Panel Weights and Dimensions.....	13
Clearance	13
Environment.....	14
Installation Procedure	15
Mount the Maintenance Bypass Panel to the Wall	16
Prepare the Maintenance Bypass Panel for Cables.....	18
Connect the Power Cables.....	19
Connect the Signal Cables for Easy UPS 3S	20
Connect the Signal Cables for Easy UPS 3S Pro	22
Decommission or Move the Parallel Maintenance Bypass Panel	
to a New Location	24

Important Safety Instructions — SAVE THESE INSTRUCTIONS

Read these instructions carefully and look at the equipment to become familiar with it before trying to install, operate, service or maintain it. The following safety messages may appear throughout this manual or on the equipment to warn of potential hazards or to call attention to information that clarifies or simplifies a procedure.



The addition of this symbol to a “Danger” or “Warning” safety message indicates that an electrical hazard exists which will result in personal injury if the instructions are not followed.



This is the safety alert symbol. It is used to alert you to potential personal injury hazards. Obey all safety messages with this symbol to avoid possible injury or death.

DANGER

DANGER indicates a hazardous situation which, if not avoided, **will result in death or serious injury.**

Failure to follow these instructions will result in death or serious injury.

WARNING

WARNING indicates a hazardous situation which, if not avoided, **could result in death or serious injury.**

Failure to follow these instructions can result in death, serious injury, or equipment damage.

CAUTION

CAUTION indicates a hazardous situation which, if not avoided, **could result in minor or moderate injury.**

Failure to follow these instructions can result in injury or equipment damage.

NOTICE

NOTICE is used to address practices not related to physical injury. The safety alert symbol shall not be used with this type of safety message.

Failure to follow these instructions can result in equipment damage.

Please Note

Electrical equipment should only be installed, operated, serviced, and maintained by qualified personnel. No responsibility is assumed by Schneider Electric for any consequences arising out of the use of this material.

A qualified person is one who has skills and knowledge related to the construction, installation, and operation of electrical equipment and has received safety training to recognize and avoid the hazards involved.

Per IEC 62040-1: "Uninterruptible power systems (UPS) -- Part 1: Safety Requirements," this equipment, including battery access, must be inspected, installed and maintained by a skilled person.

The skilled person is a person with relevant education and experience to enable him or her to perceive risks and to avoid hazards which the equipment can create (reference IEC 62040-1, section 3.102).

Electromagnetic Compatibility

NOTICE

RISK OF ELECTROMAGNETIC DISTURBANCE

This is a product Category C3 according to IEC 62040-2. This is a product for commercial and industrial applications in the second environment - installation restrictions or additional measures may be needed to prevent disturbances. The second environment includes all commercial, light industry, and industrial locations other than residential, commercial, and light industrial premises directly connected without intermediate transformer to a public low-voltage mains supply. The installation and cabling must follow the electromagnetic compatibility rules, e.g.:

- the segregation of cables,
- the use of shielded or special cables when relevant,
- the use of grounded metallic cable tray and supports.

Failure to follow these instructions can result in equipment damage.

Safety Precautions

DANGER

HAZARD OF ELECTRIC SHOCK, EXPLOSION, OR ARC FLASH

Read all instructions in the installation manual before installing or working on this product.

Failure to follow these instructions will result in death or serious injury.

DANGER

HAZARD OF ELECTRIC SHOCK, EXPLOSION, OR ARC FLASH

Do not install the product until all construction work has been completed and the installation room has been cleaned.

Failure to follow these instructions will result in death or serious injury.

DANGER

HAZARD OF ELECTRIC SHOCK, EXPLOSION, OR ARC FLASH

The product must be installed according to the specifications and requirements as defined by Schneider Electric. It concerns in particular the external and internal protections (upstream disconnect devices, battery disconnect devices, cabling, etc.) and environmental requirements. No responsibility is assumed by Schneider Electric if these requirements are not respected.

Failure to follow these instructions will result in death or serious injury.

⚠️⚠️ DANGER

HAZARD OF ELECTRIC SHOCK, EXPLOSION, OR ARC FLASH

The UPS system must be installed according to local and national regulations. Install the UPS system according to:

- IEC 60364 (including 60364-4-41 – protection against electric shock, 60364-4-42 – protection against thermal effect, and 60364-4-43 – protection against overcurrent), **or**
- NEC NFPA 70, **or**
- Canadian Electrical Code (C22.1, Part 1)

depending on which one of the standards apply in your local area.

Failure to follow these instructions will result in death or serious injury.

⚠️⚠️ DANGER

HAZARD OF ELECTRIC SHOCK, EXPLOSION, OR ARC FLASH

- Install the product in a temperature controlled indoor environment free of conductive contaminants and humidity.
- Install the product on a non-flammable, level and solid surface (e.g. concrete) that can support the weight of the system.

Failure to follow these instructions will result in death or serious injury.

⚠️⚠️ DANGER

HAZARD OF ELECTRIC SHOCK, EXPLOSION, OR ARC FLASH

The product is not designed for and must therefore not be installed in the following unusual operating environments:

- Damaging fumes
- Explosive mixtures of dust or gases, corrosive gases, or conductive or radiant heat from other sources
- Moisture, abrasive dust, steam or in an excessively damp environment
- Fungus, insects, vermin
- Salt-laden air or contaminated cooling refrigerant
- Pollution degree higher than 2 according to IEC 60664-1
- Exposure to abnormal vibrations, shocks, and tilting
- Exposure to direct sunlight, heat sources, or strong electromagnetic fields

Failure to follow these instructions will result in death or serious injury.

⚠️⚠️ DANGER

HAZARD OF ELECTRIC SHOCK, EXPLOSION, OR ARC FLASH

Do not drill or cut holes for cables or conduits with the gland plates installed and do not drill or cut holes in close proximity to the UPS system.

Failure to follow these instructions will result in death or serious injury.

⚠️⚠️ DANGER

HAZARD OF ELECTRIC SHOCK, EXPLOSION, OR ARC FLASH

Do not make mechanical changes to the product (including removal of cabinet parts or drilling/cutting of holes) that are not described in the installation manual.

Failure to follow these instructions will result in death or serious injury.

NOTICE**RISK OF OVERHEATING**

Respect the space requirements around the product and do not cover the ventilation openings when the product is in operation.

Failure to follow these instructions can result in equipment damage.

Electrical Safety

This manual contains important safety instructions that should be followed during the installation and maintenance of the UPS system.

 DANGER**HAZARD OF ELECTRIC SHOCK, EXPLOSION, OR ARC FLASH**

- Electrical equipment must be installed, operated, serviced, and maintained only by qualified personnel.
- Apply appropriate personal protective equipment (PPE) and follow safe electrical work practices.
- Disconnection devices for AC and DC must be provided by others, be readily accessible, and the function of the disconnect device marked for its function.
- Turn off all power supplying the UPS system before working on or inside the equipment.
- Before working on the UPS system, check for hazardous voltage between all terminals including the protective earth.
- The UPS contains an internal energy source. Hazardous voltage can be present even when disconnected from the mains supply. Before installing or servicing the UPS system, ensure that the units are OFF and that mains and batteries are disconnected. Wait five minutes before opening the UPS to allow the capacitors to discharge.
- The UPS must be properly earthed/grounded and due to a high leakage current, the earthing/grounding conductor must be connected first.

Failure to follow these instructions will result in death or serious injury.

When the UPS input is connected through external isolators that, when opened, isolate the neutral or when the automatic backfeed isolation is provided external to the equipment or is connected to an IT power distribution system, a label must be fitted at the UPS input terminals, and on all primary power isolators installed remotely from the UPS area and on external access points between such isolators and the UPS, by the user, displaying the following text (or equivalent in a language which is acceptable in the country in which the UPS system is installed):

 DANGER**HAZARD OF ELECTRIC SHOCK, EXPLOSION, OR ARC FLASH**

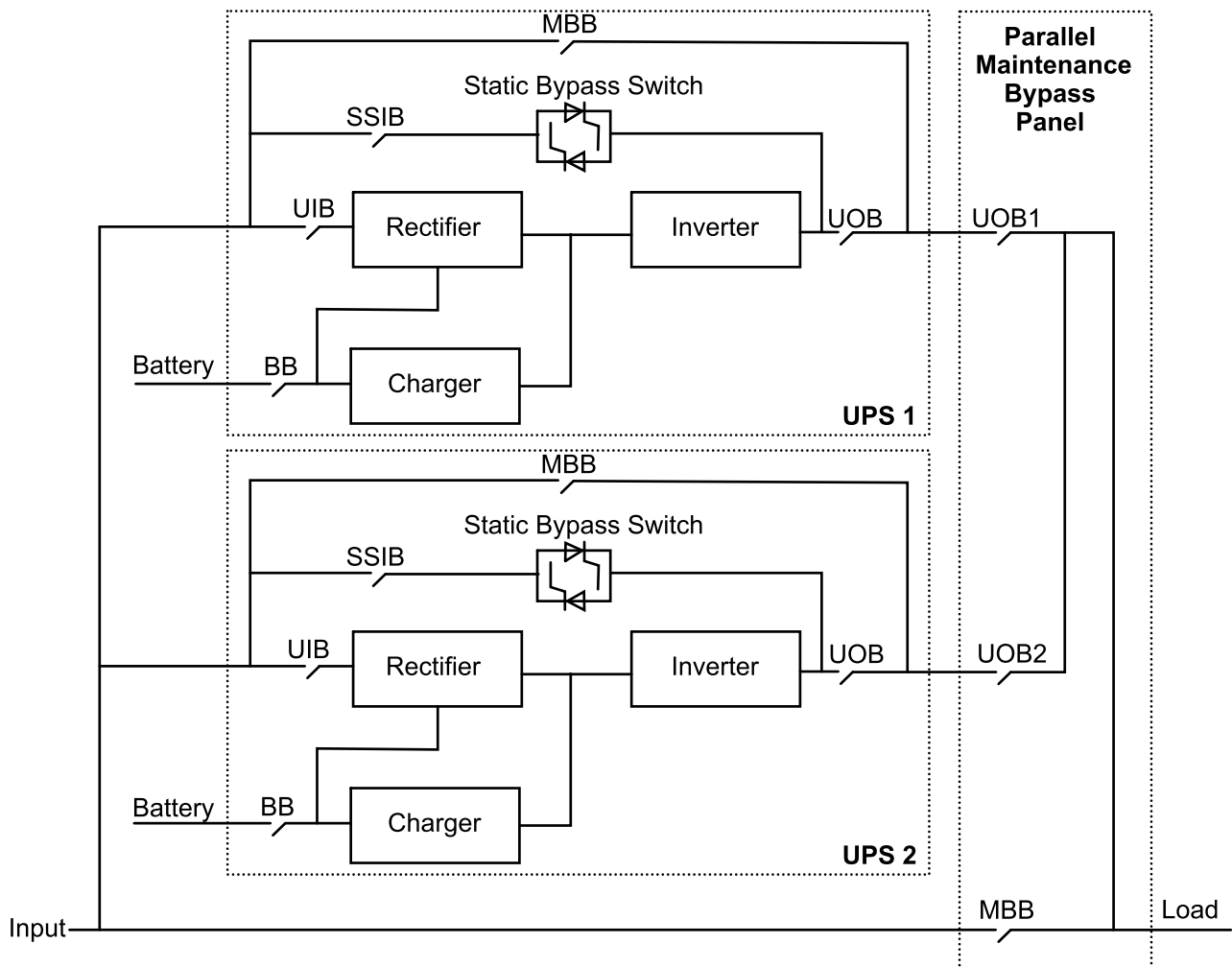
Risk of voltage backfeed. Before working on this circuit: Isolate the UPS and check for hazardous voltage between all terminals including the protective earth.

Failure to follow these instructions will result in death or serious injury.

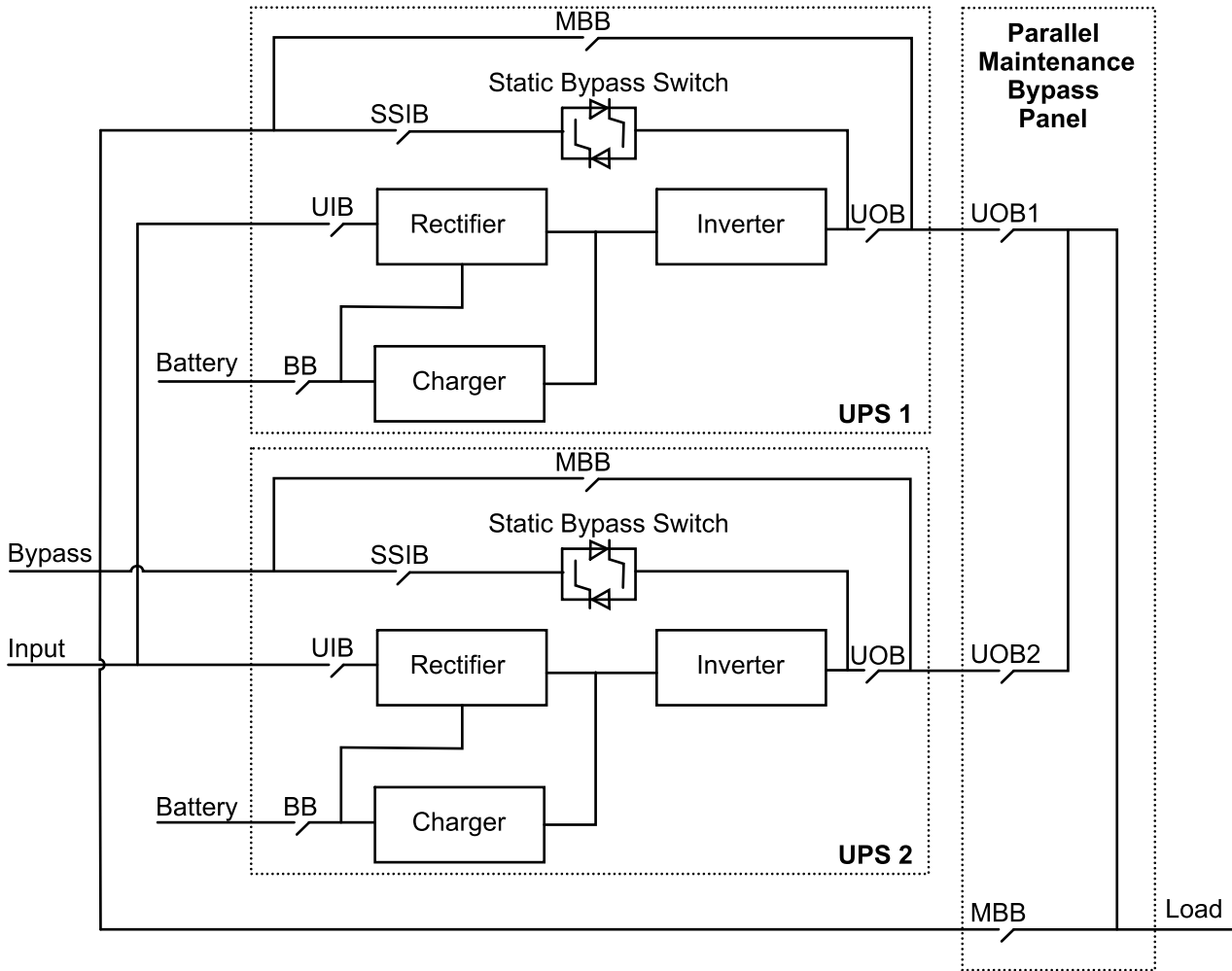
Overview of UPS System with Parallel Maintenance Bypass Panel

UIB	Unit input disconnect device
SSIB	Static switch input disconnect device
UOB	Unit output disconnect device
MBB	Maintenance bypass disconnect device
BB	Battery disconnect device

Single Mains System



Dual Mains System



Specifications for 400 V Systems

Maximum Input Short-Circuit Withstand

The maximum input short-circuit withstand for the parallel maintenance bypass panel is ICC=10 kA.

Recommended Cable Sizes

Cable sizes in this manual are based on the minimum requirements in table B.52.3 and table B.52.5 of IEC 60364-5-52 with the following assertions:

- 90 °C conductors
- An ambient temperature of 30 °C
- Use of copper conductors
- PE cable size is based on table 54.2 of IEC 60364-5-54
- Installation method C
- Specific to AC cables: Maximum length 70 m with a line voltage drop <3% installed on perforated cable trays, XLPE-type insulation, single layer trefoil formation, THDI between 15% and 33%.

NOTE: If the ambient temperature is greater than 30 °C, larger conductors are to be selected in accordance with the correction factors of the IEC.

UPS	Cable	Cable Size per Phase (mm²)
10 kVA	UPS 1 Output/UPS 2 output	Refer to the UPS installation manual.
	System input	16
	System output	16
	PE	10
15 kVA	UPS 1 Output/UPS 2 output	Refer to the UPS installation manual.
	System input	16
	System output	16
	PE	10
20 kVA	UPS 1 Output/UPS 2 output	Refer to the UPS installation manual.
	System input	25
	System output	25
	PE	10
30 kVA	UPS 1 Output/UPS 2 output	Refer to the UPS installation manual.
	System input	35
	System output	35
	PE	16
40 kVA	UPS 1 Output/UPS 2 output	Refer to the UPS installation manual.
	System input	50
	System output	50
	PE	16

Specifications for 208 V Systems

Maximum Input Short-Circuit Withstand

The maximum input short-circuit withstand for the parallel maintenance bypass panel is ICC=10 kA.

Recommended Cable Sizes

Cable sizes in this manual are based on:

- Single core cables type U1000 R02V
- Specific to AC cables: Maximum length 70 m with a line voltage drop <3% installed on perforated cable trays, XLPE-type insulation, single layer trefoil formation, THDI between 15% and 33%, 35 °C at 208 V grouped in four touching cables

UPS	Cable	Cable Size per Phase (mm ²)
10 kVA	UPS 1 Output/UPS 2 output	10
	System input	25
	System output	25
	PE	10
15 kVA	UPS 1 Output/UPS 2 output	16
	System input	35
	System output	35
	PE	16
20 kVA	UPS 1 Output/UPS 2 output	25
	System input	50
	System output	50
	PE	16

Specifications

Recommended Bolts and Cable Lugs

Cable Size (mm ²)	Bolt Size	Cable Lug Type
6	M6	KST TLK6-6
10	M6	KST TLK10-6
16	M6	KST TLK16-6
25	M6	KST DRNB6-25
35	M6	KST TLK35-6
50	M8	KST TLK50-8

Torque Specifications

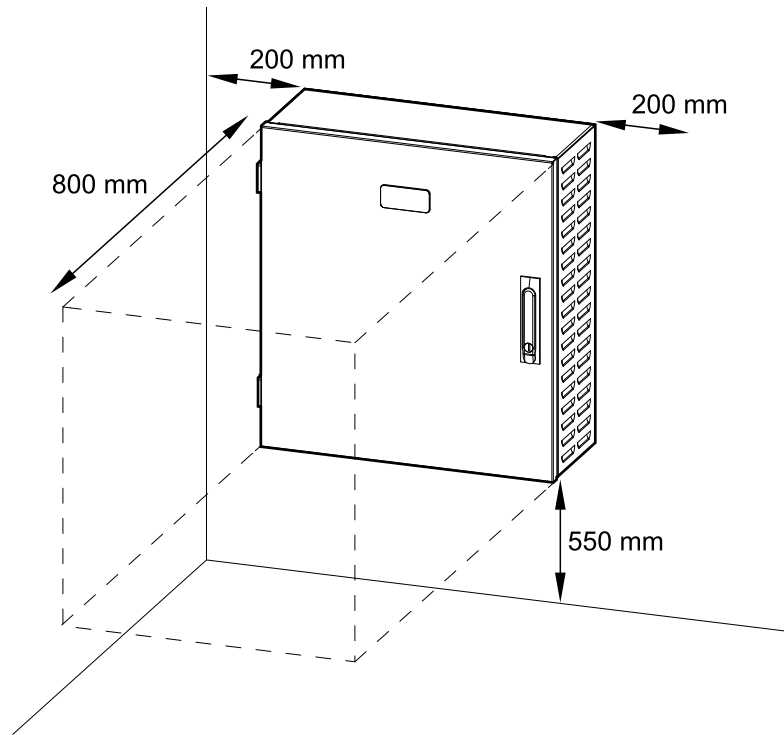
Bolt size	Torque
M6	5 Nm
M8	12 Nm

Parallel Maintenance Bypass Panel Weights and Dimensions

	Weight kg	Height mm	Width mm	Depth mm
10–40 kVA Parallel Maintenance Bypass Panel	30	600	550	220

Clearance

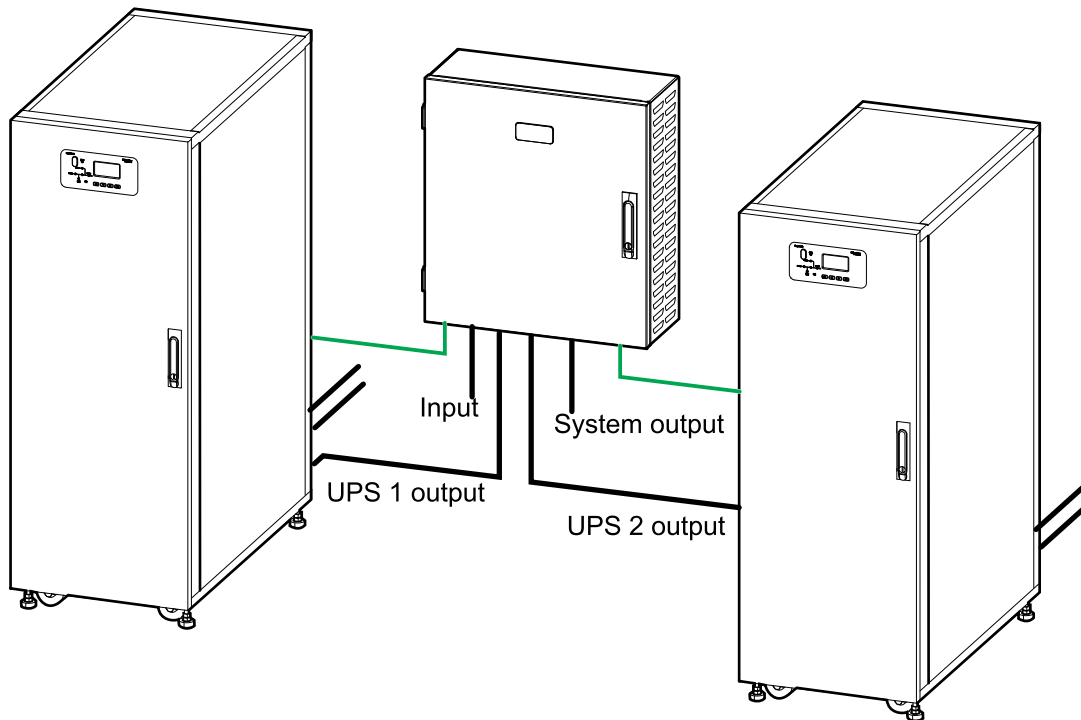
NOTE: Clearance dimensions are published for airflow and service access only. Consult with the local safety codes and standards for additional requirements in your local area.



Environment

	Operating	Storage
Temperature	0 °C to 40 °C (32 °F to 104 °F)	-25 °C to 55 °C (-13 °F to 131 °F)
Relative humidity	5-95% non-condensing	10-80% non-condensing
Elevation	0-3000 m (0-10000 feet)	
Protection class	IP20	
Color	RAL 9003, gloss level 85%	

Installation Procedure



— Signal cable
— Power cable

1. Mount the Maintenance Bypass Panel to the Wall, page 16.
2. Prepare the Maintenance Bypass Panel for Cables, page 18.
3. Connect the Power Cables, page 19.
4. Connect the Signal Cables for Easy UPS 3S, page 20 or Connect the Signal Cables for Easy UPS 3S Pro, page 22.

For moving or decommissioning the maintenance bypass panel after installation has been completed, see [Decommission or Move the Parallel Maintenance Bypass Panel to a New Location](#), page 24.

Mount the Maintenance Bypass Panel to the Wall

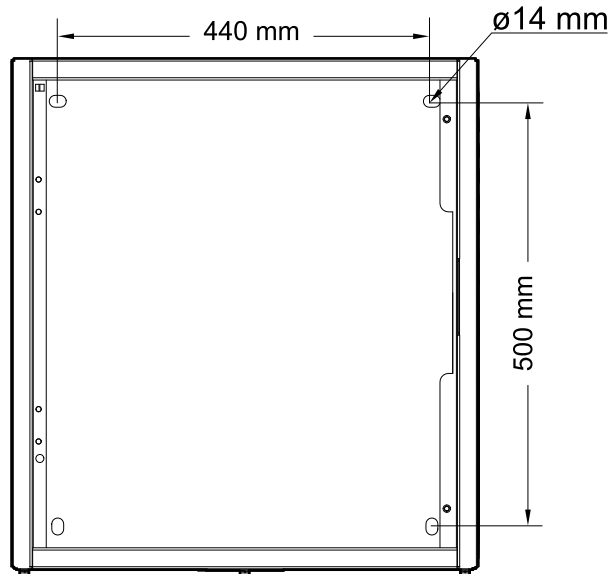
⚠ CAUTION

RISK OF INJURY OR EQUIPMENT DAMAGE

- Mount the maintenance bypass panel to a wall or a rack that is structurally sound and able to support the weight of the unit.
- Use appropriate hardware for the wall/rack type.

Failure to follow these instructions can result in injury or equipment damage.

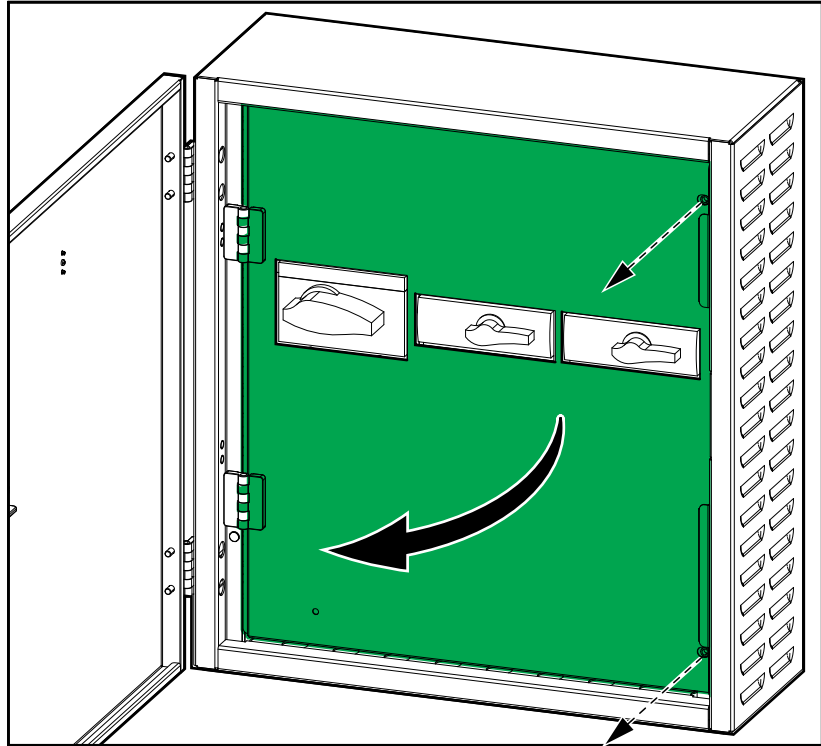
1. Measure and mark the four mounting hole locations on the wall.



2. Drill holes in each of the four marked locations and mount the anchor bolts.

3. Remove the screws and open the inner door in the maintenance bypass panel.

Front View of the Maintenance Bypass Panel



4. Lift the maintenance bypass panel, position it against the wall and line it up with the four anchor bolts. Mount the maintenance bypass panel to the wall.

Prepare the Maintenance Bypass Panel for Cables

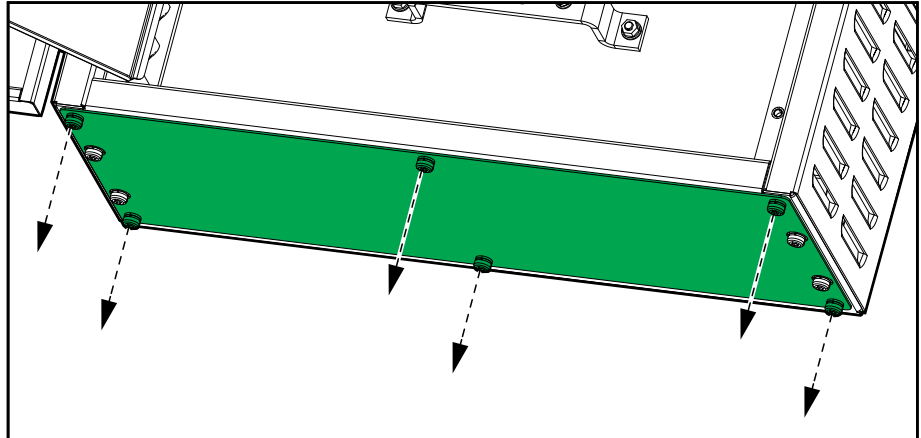
⚠ DANGER

HAZARD OF ELECTRIC SHOCK, EXPLOSION, OR ARC FLASH

Do not drill or punch holes with the gland plates installed and do not drill or punch holes in close proximity to the maintenance bypass panel.

Failure to follow these instructions will result in death or serious injury.

1. Remove the gland plate.



2. Drill or punch holes for cables or grommets in the gland plate.

⚠ DANGER

HAZARD OF ELECTRIC SHOCK, EXPLOSION, OR ARC FLASH

Ensure that there are no sharp edges that can damage the cables.

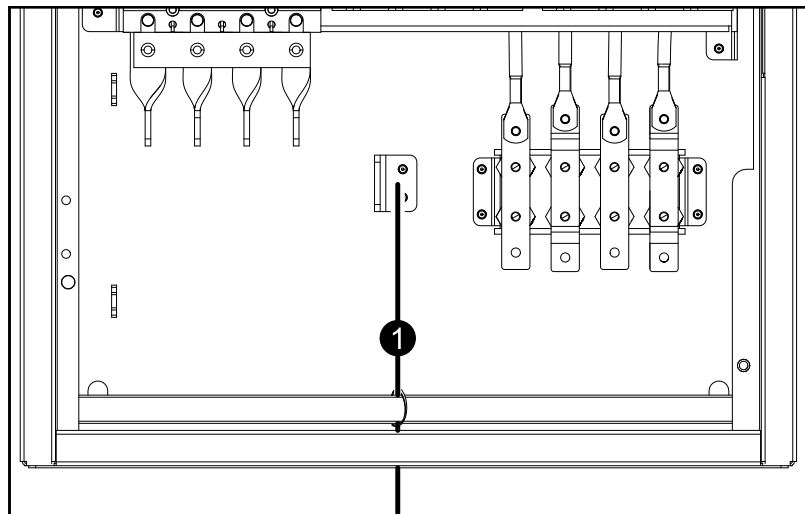
Failure to follow these instructions will result in death or serious injury.

3. Install grommets (if applicable) and reinstall the gland plate.

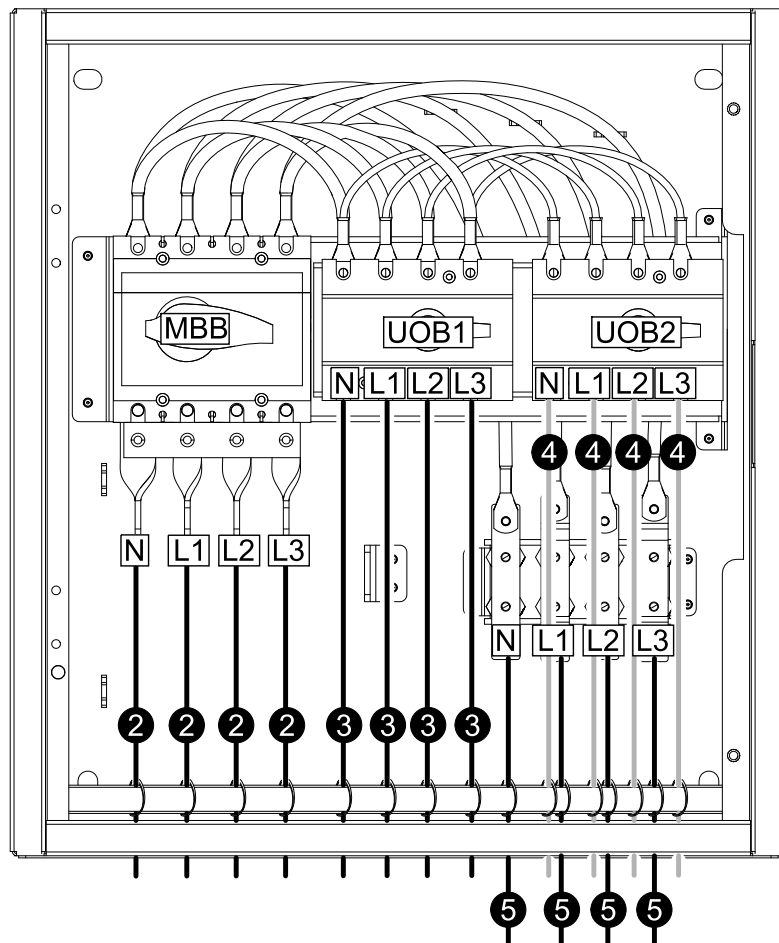
Connect the Power Cables

1. Connect the PE cables to the PE busbar.

Front View of the Maintenance Bypass Panel



2. Connect the input cables to the maintenance bypass switch MBB.

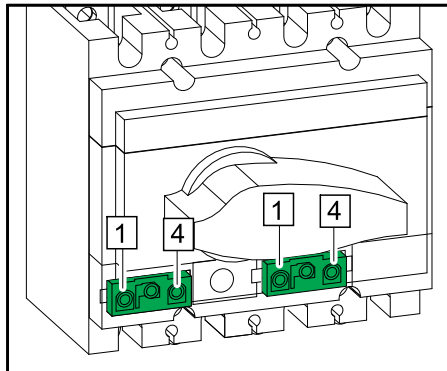


3. Connect the UPS 1 output cables to the unit output switch 1 UOB1.
4. Connect the UPS 2 output cables to the unit output switch 2 UOB2.
5. Connect the system output cables to the system output cables landings.
6. Fasten the cables with cable ties (provided) to the cable reliefs.

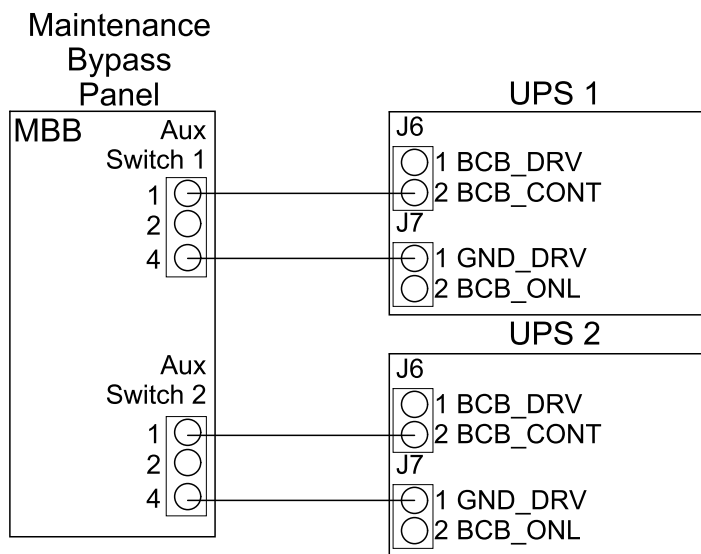
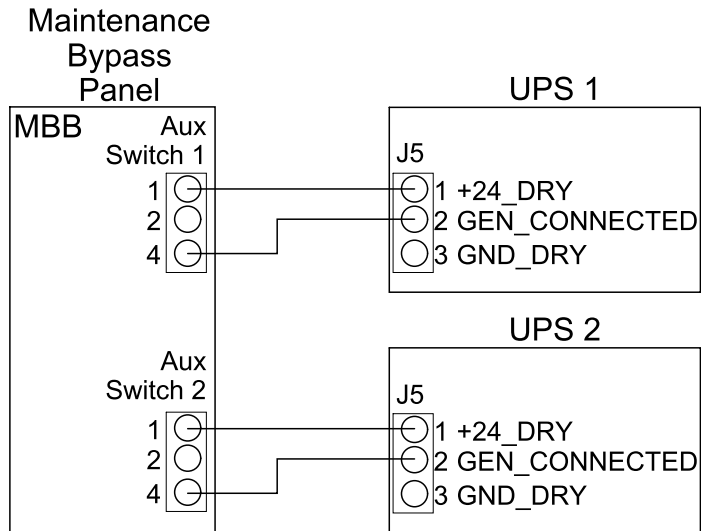
Connect the Signal Cables for Easy UPS 3S

NOTE: Route the signal cables separately from the power cables.

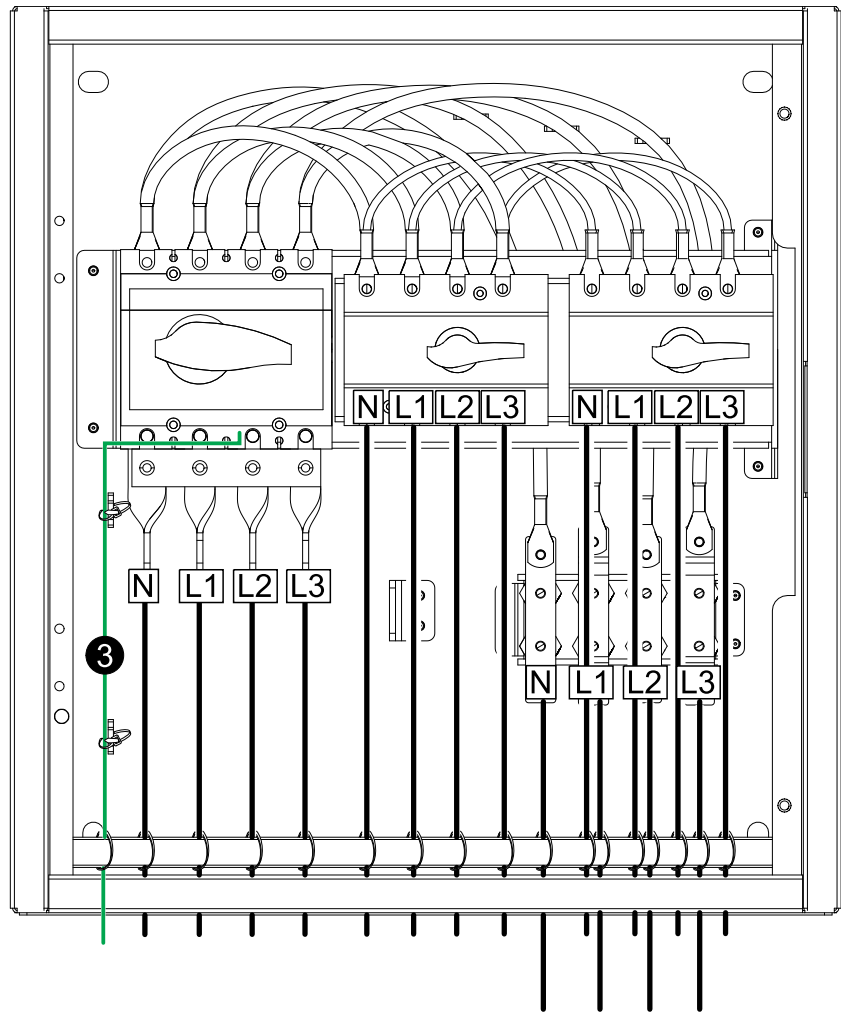
1. Remove the plastic cover of the maintenance bypass switch MBB to get access to the auxiliary switches.



2. Connect signal cables 18 AWG (not supplied) between the maintenance bypass switch MBB and UPS 1 and UPS 2. Use one of the two methods shown below.



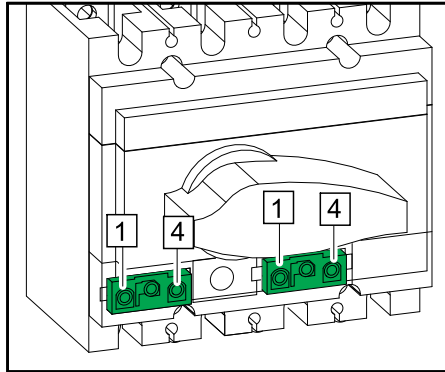
3. Fasten the signal cables to the cable reliefs.



Connect the Signal Cables for Easy UPS 3S Pro

NOTE: Route the signal cables separately from the power cables.

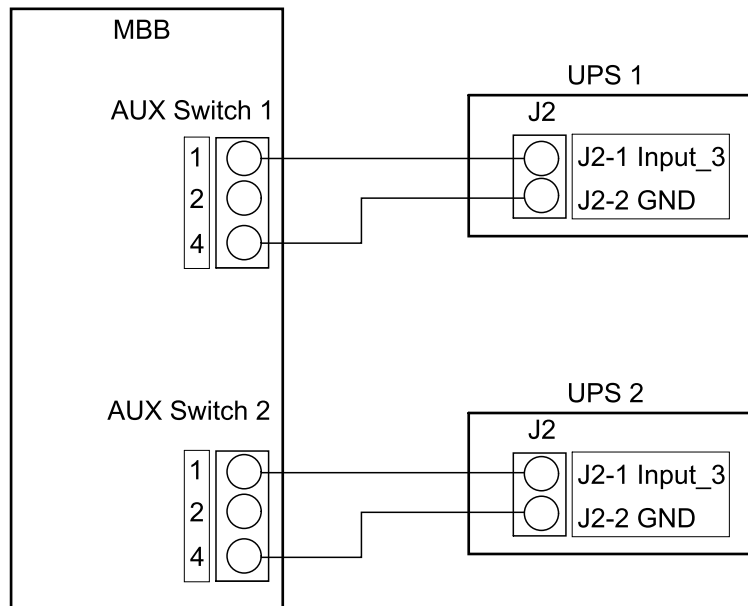
1. Remove the plastic cover of the maintenance bypass switch MBB to get access to the auxiliary switches.



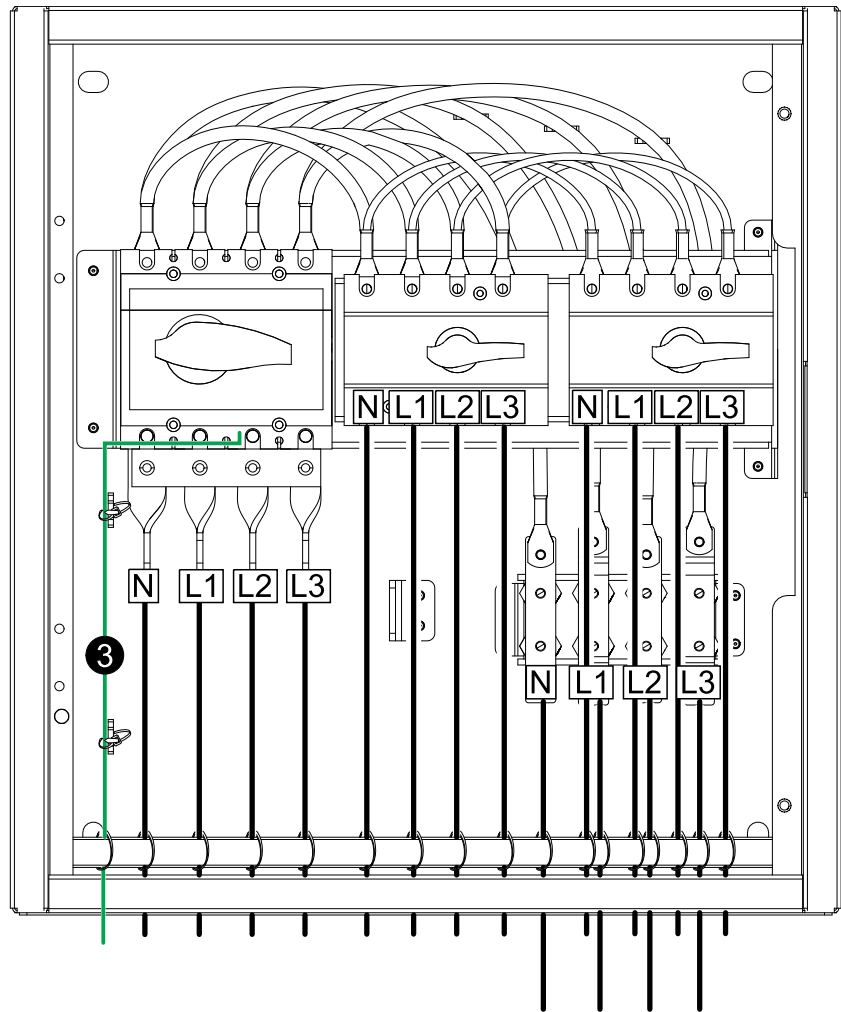
2. Connect signal cables 18 AWG (not supplied) between the maintenance bypass switch MBB and UPS 1 and UPS 2.

NOTE: When configuring J2 as **MBB contact NO**: The maintenance bypass disconnect device MBB is open (normally open).

Maintenance
Bypass Panel



3. Fasten the signal cables to the cable reliefs.



Decommission or Move the Parallel Maintenance Bypass Panel to a New Location

1. Shut down the UPS completely – follow the instructions in the UPS operation manual.
2. Lockout/Tagout all disconnect devices in the switchgear in the OFF (open) position.
3. Lockout/Tagout all battery disconnect devices in the switchgear/battery solution in the OFF (open) position.
4. Verify that all upstream circuit breakers are in the OFF (open) position.

⚠️⚠️ DANGER

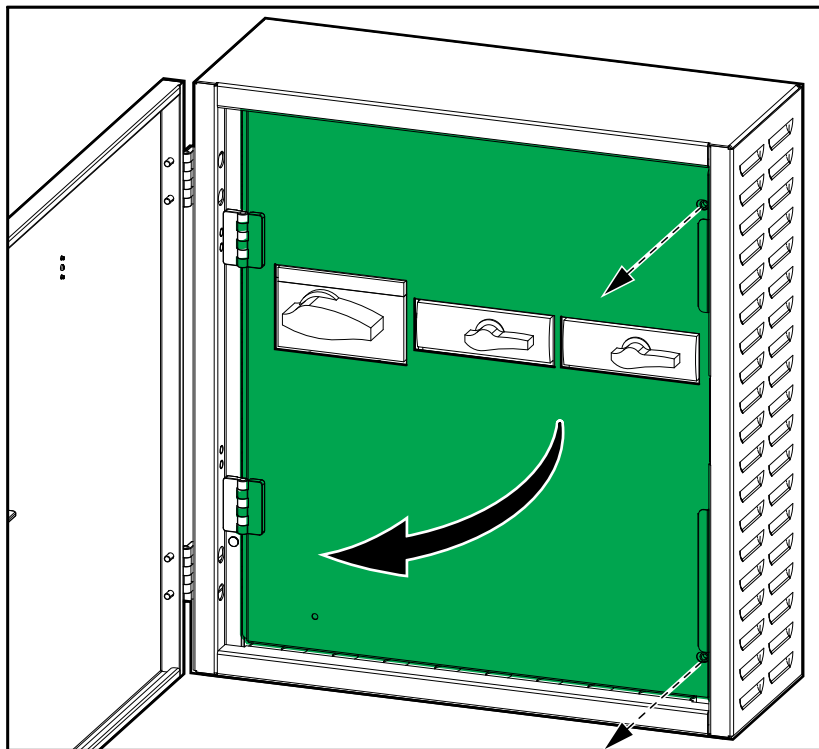
HAZARD OF ELECTRIC SHOCK, EXPLOSION, OR ARC FLASH

Verify that all upstream circuit breakers are in the OFF (open) position.

Failure to follow these instructions will result in death or serious injury.

5. Open the front door of the parallel maintenance bypass panel.
6. Lockout/Tagout UOB1, UOB2, and MBB in the parallel maintenance bypass panel in the OFF (open) position.
7. Remove the screws and open the inner door in the parallel maintenance bypass panel.

Front View of the Maintenance Bypass Panel



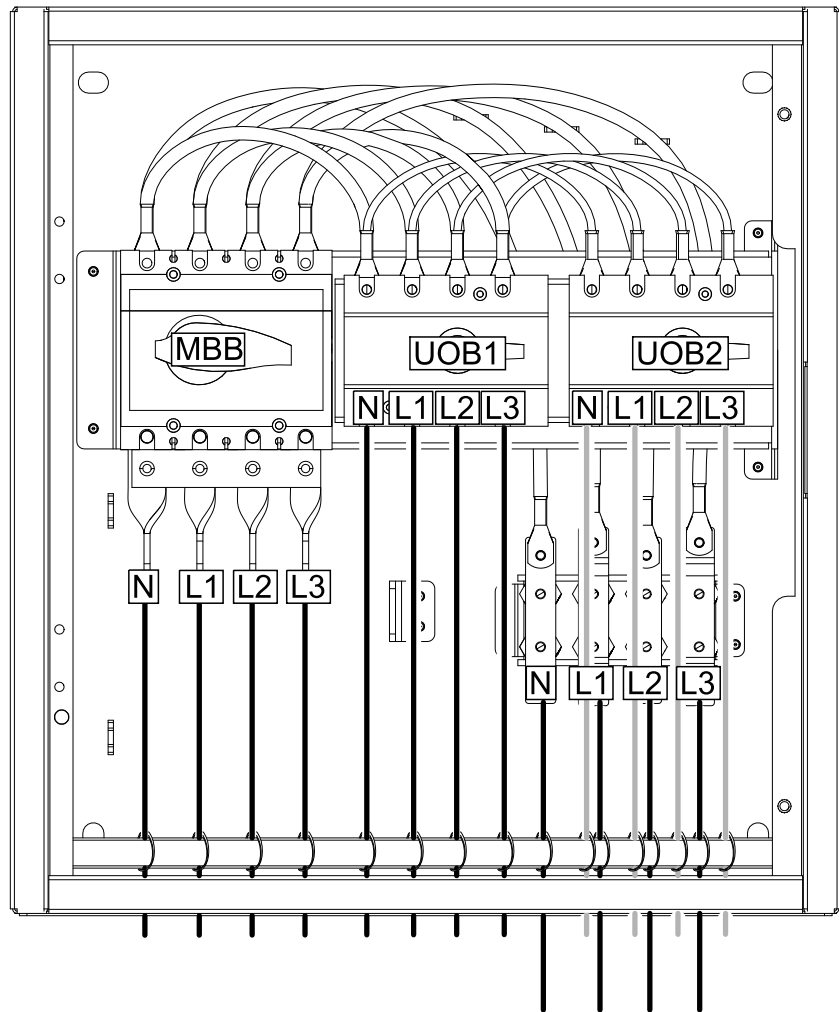
8. Measure for and verify ABSENCE of voltage on each input/bypass busbar, UPS input/UPS bypass busbar, UPS output busbar, and load busbar before continuing.

⚡ ⚠ DANGER

HAZARD OF ELECTRIC SHOCK, EXPLOSION, OR ARC FLASH

Measure for and verify ABSENCE of voltage on each input/bypass busbar, UPS input/UPS bypass busbar, UPS output busbar, and load busbar before continuing.

Failure to follow these instructions will result in death or serious injury.



9. Disconnect and remove all power cables from the parallel maintenance bypass panel. See [Connect the Power Cables](#), page 19 for details.
10. Disconnect and remove all signal cables from the parallel maintenance bypass panel. See [Connect the Signal Cables for Easy UPS 3S](#), page 20 for details.

11. Remove the four screws from the wall and remove the parallel maintenance bypass panel from the wall.

⚠ CAUTION

HEAVY LOAD

The parallel maintenance bypass panel weighs 30 kg. Use appropriate tools to safely lift the parallel maintenance bypass panel.

Failure to follow these instructions can result in injury or equipment damage.

12. Close the inner door and fasten it with the screws.
13. Close and lock the front door of the parallel maintenance bypass panel.
14. **For transport:**

⚠ WARNING

TIPPING HAZARD

For transport of the parallel maintenance bypass panel ensure:

- that personnel performing the transport have necessary skills and have received adequate training;
- to use appropriate tools to safely lift and transport the product;
- to protect the product against damage by using appropriate protection (like wrapping or packaging).

Failure to follow these instructions can result in death, serious injury, or equipment damage.

Transportation requirements:

- Mount the parallel maintenance bypass panel in a horizontal position in the center of a suitable pallet with minimum pallet dimensions: 550 mm x 600 mm. The pallet must be suitable for the weight of the parallel maintenance bypass panel (30 kg).
- Mount the parallel maintenance bypass panel to the pallet with appropriate means of fixation that can withstand vibrations and shocks during loading, transport, and unloading.
- The original shipping pallet in combination with the original transportation brackets can be reused, if in undamaged condition.

⚠ WARNING

UNEXPECTED EQUIPMENT BEHAVIOR

Do not lift the parallel maintenance bypass panel with a forklift/pallet truck directly as it may bend or damage the parallel maintenance bypass panel.

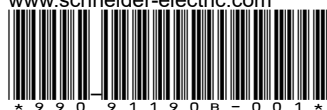
Failure to follow these instructions can result in death, serious injury, or equipment damage.

15. Perform one of the following:
- Decommission the parallel maintenance bypass panel, OR
 - Move the parallel maintenance bypass panel to a new location to install it.
16. **Only for installing the parallel maintenance bypass panel in a new location:** Follow the installation manual to install the parallel maintenance bypass panel in the new location. See *Installation Procedure*, page 15 or *Connect the Signal Cables for Easy UPS 3S Pro*, page 22 for installation overview. Reinstallation and startup must only be performed by qualified personnel.

Schneider Electric
35 rue Joseph Monier
92500 Rueil Malmaison
France

+ 33 (0) 1 41 29 70 00

www.schneider-electric.com



As standards, specifications, and design change from time to time, please ask for confirmation of the information given in this publication.

© 2018 – 2025 Schneider Electric. All rights reserved.

990-91190B-001