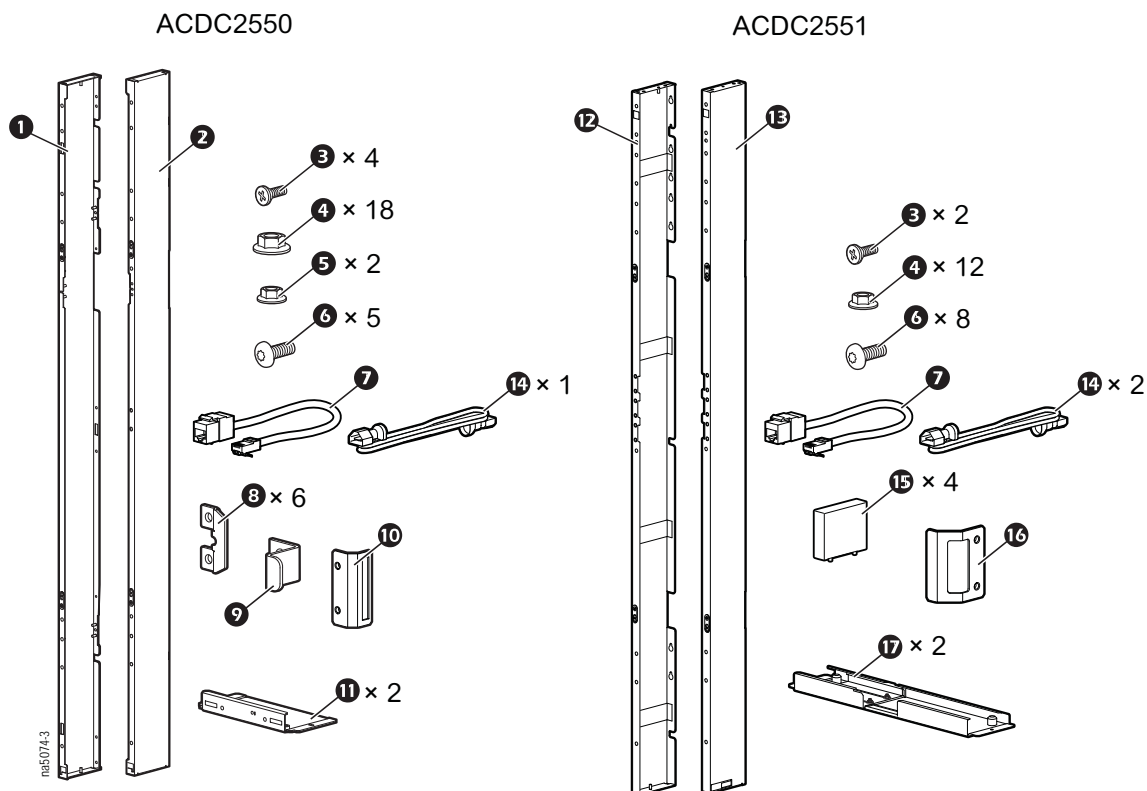


Depth Extender Installation

ACDC2550, ACDC2551

Inventory



Safety

⚠️ DANGER

HAZARD OF ELECTRIC SHOCK, EXPLOSION, OR ARC FLASH

Turn off all electrical power before working on or near this equipment.

Failure to follow these instructions will result in death or serious injury.

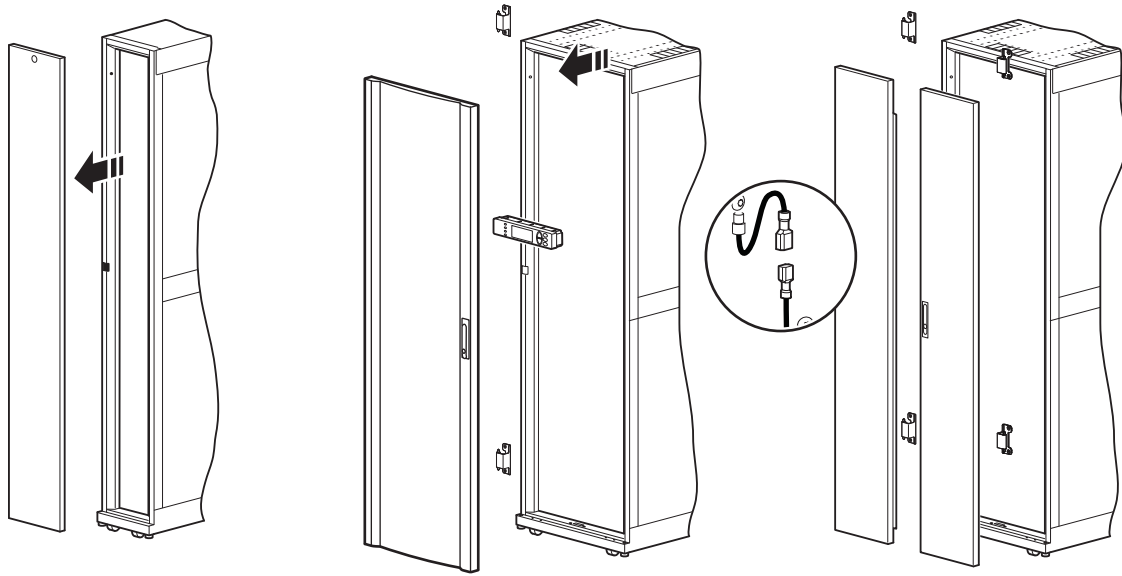
met4536a

Prepare the enclosure

Remove the door(s) and door hardware, ground wires and display interface (if applicable) from the side of the enclosure the depth extender will be installed. Save for reinstallation later in these instructions.



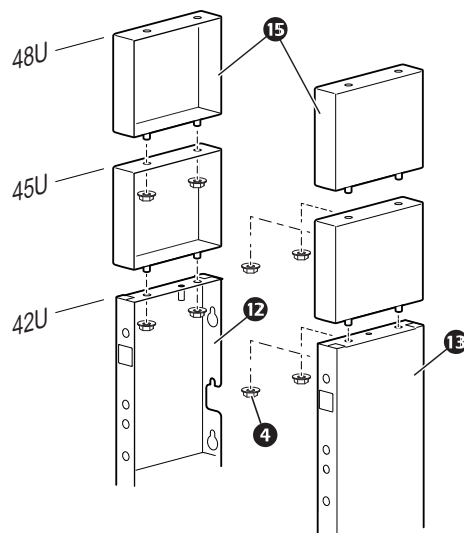
Refer to the instructions that come with your enclosure, cooling or power unit, for more information about removing doors and hardware.



Installation

1

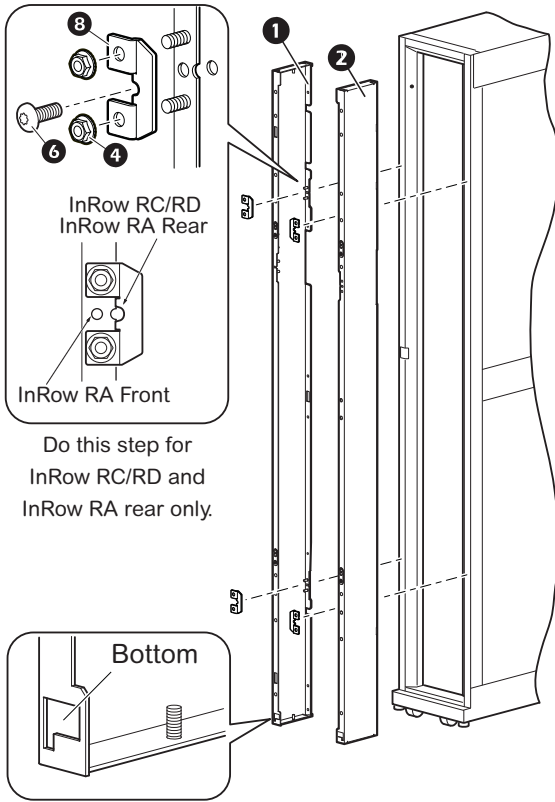
If necessary install height adapters for 45U and 48U enclosures.



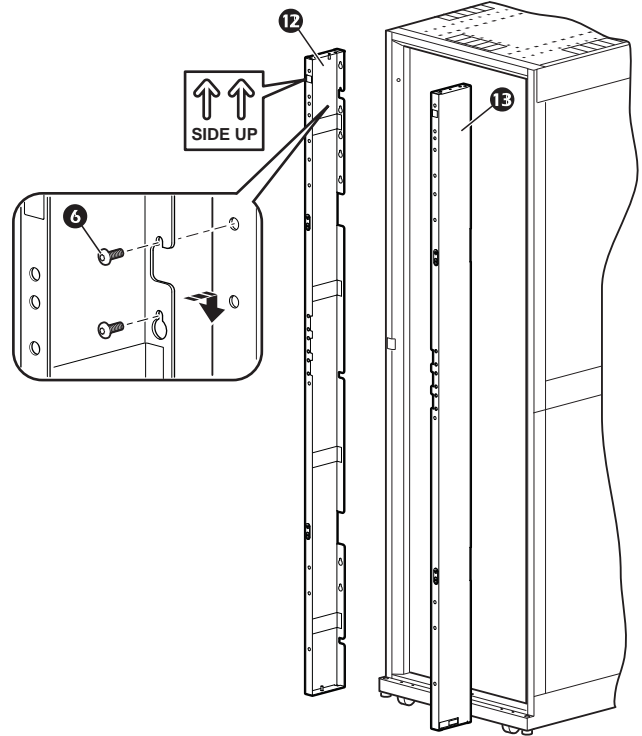
2

Install the side panels.

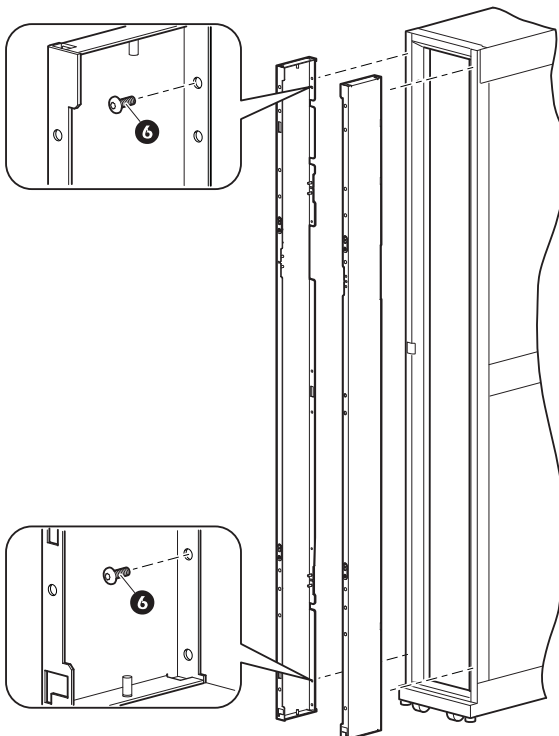
300 mm wide Cooling products



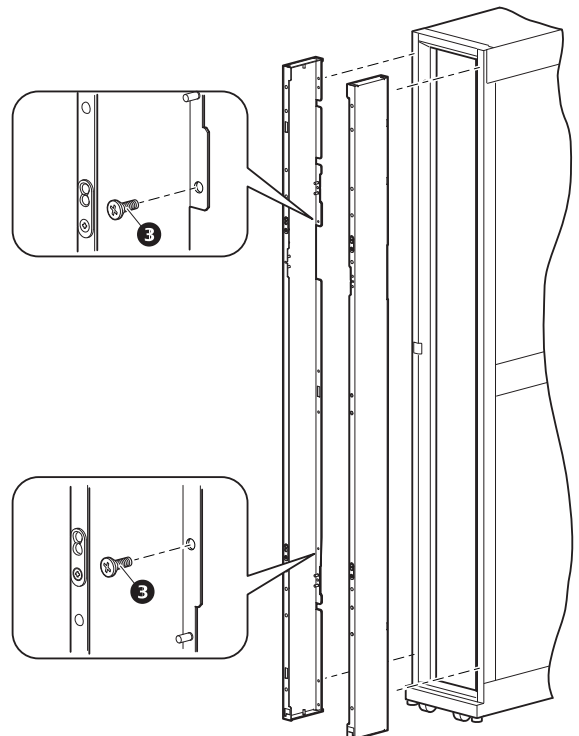
600 mm, 700 mm and 750 mm wide products.



300 mm wide PDU



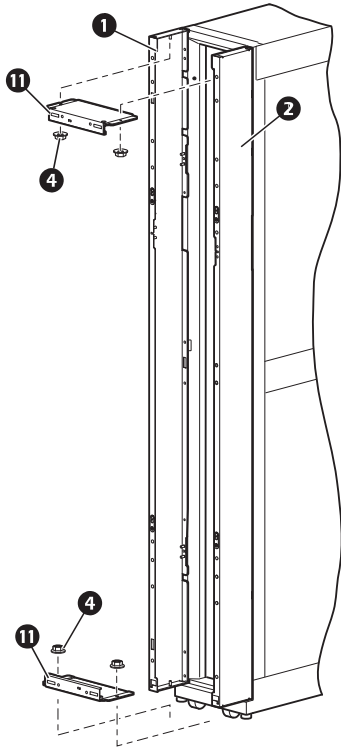
300 mm wide PDU, PDPM100SC



3

Install the top and bottom

300 mm wide products.

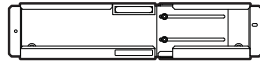


600 mm, 700 mm and 750 mm wide products.

a

Adjust width of top and bottom.

600 mm wide



700 mm wide

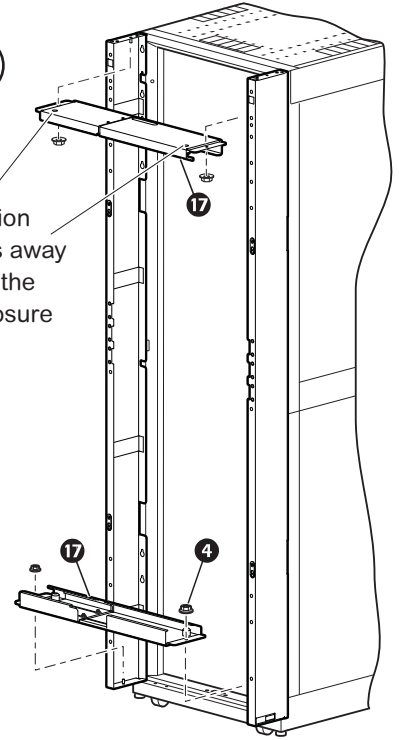


750 mm wide



b

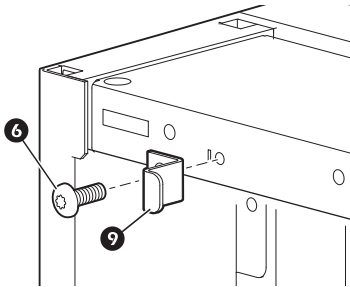
Position holes away from the enclosure



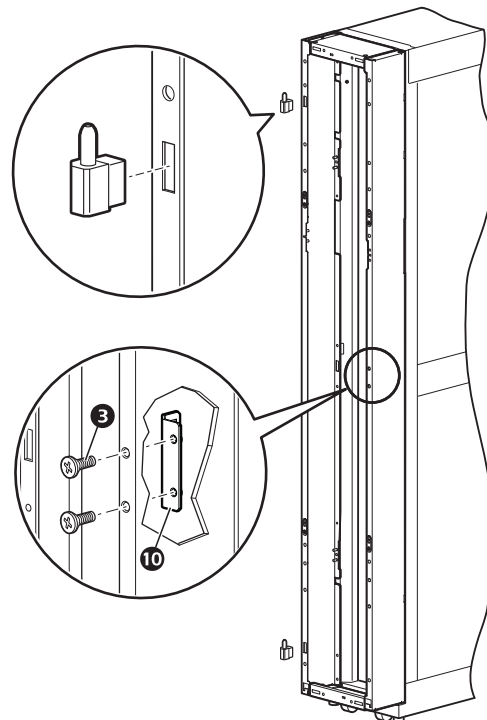
4

Install door hardware.

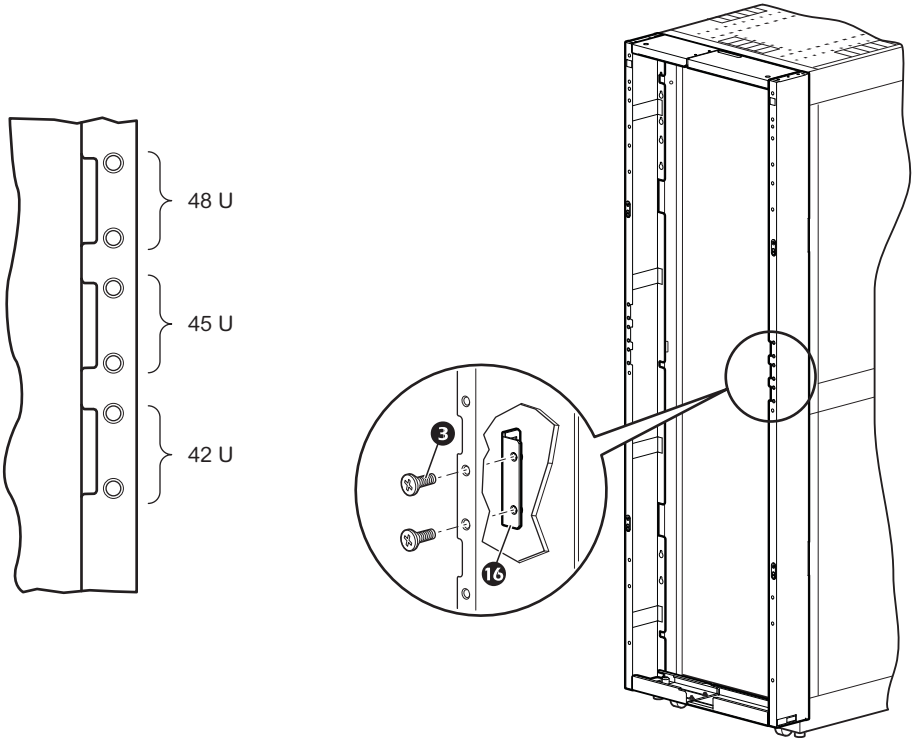
300 mm Cooling products—top



300 mm PDU

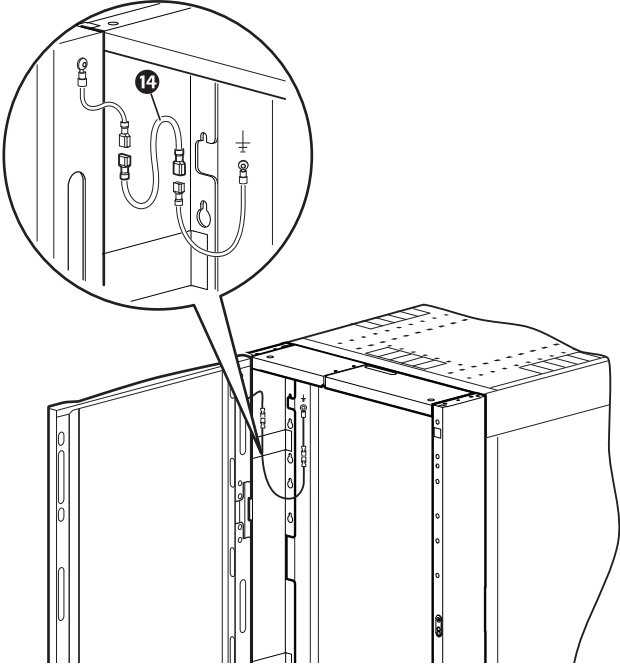


600 mm PDU



5

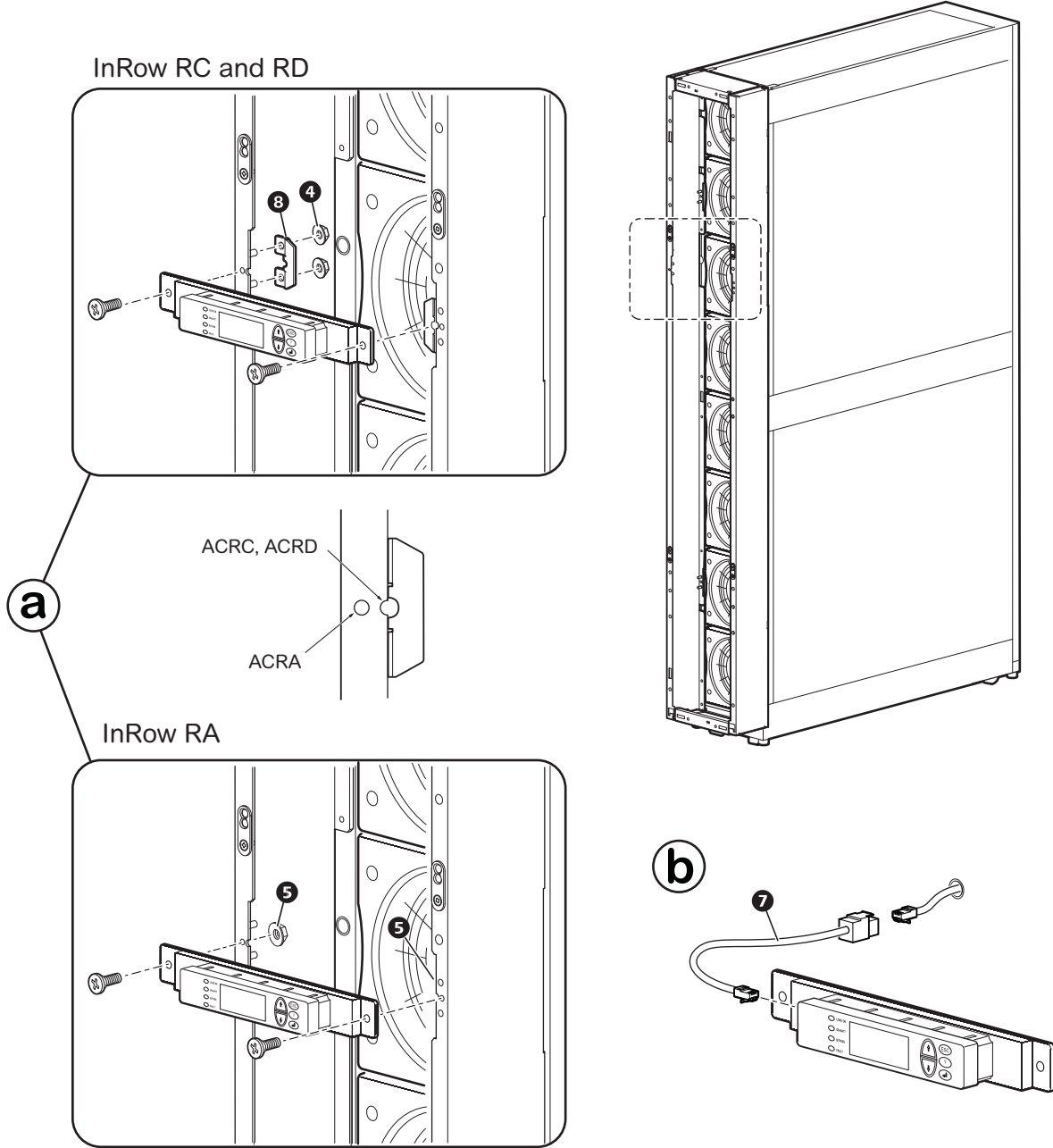
Attach ground wire extension and relocate display interface



6

Relocate display interface, where applicable.

NOTE: Reuse the existing display interface fasteners.



7

Reinstall door hardware and doors

Customer support and warranty information is available at the APC Web site, www.apc.com.

© Schneider Electric, APC and the APC logo are owned by Schneider Electric Industries S.A.S., or its affiliated companies. All other trademarks are property of their respective owners.

990-5074
5/2013