

Height Adapter/Depth Extender for VX—Installation

ACDC2510, ACDC2511 ACDC2517, ACDC2518, ACDC2552, ACDC2553

⚠ ⚠ DANGER

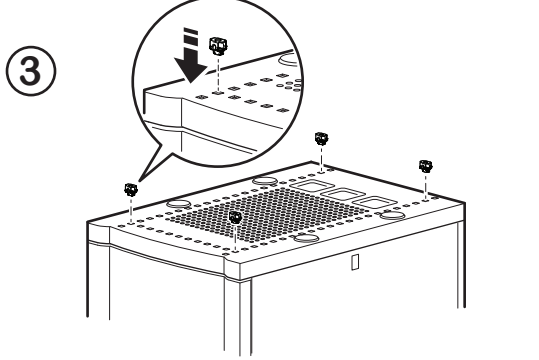
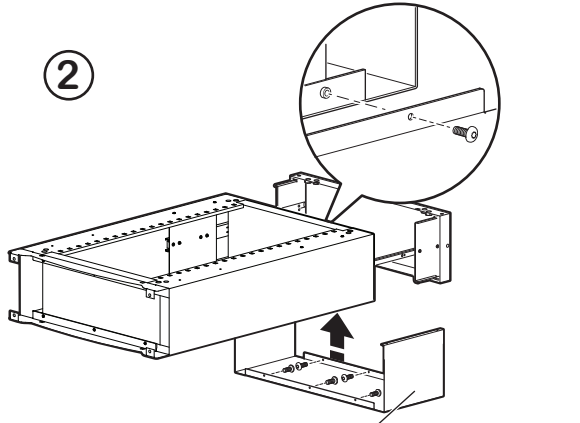
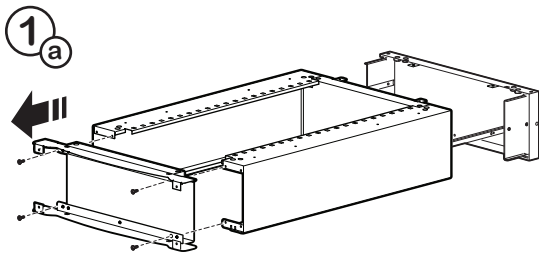
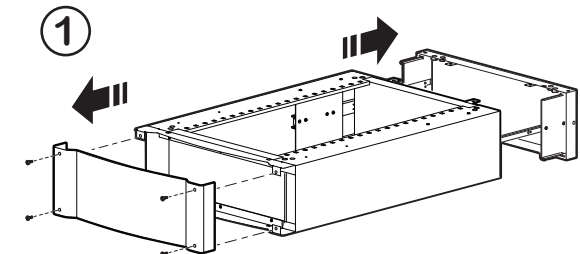
HAZARD OF ELECTRIC SHOCK, EXPLOSION, OR ARC FLASH

Turn off all electrical power before working on or near this equipment.

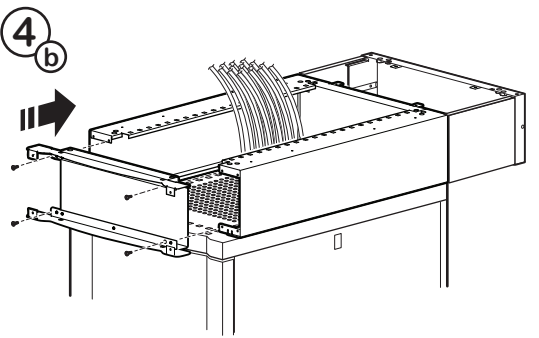
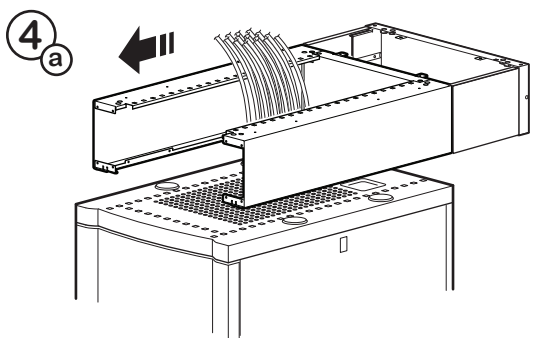
Failure to follow these instructions will result in death or serious injury.

na445368

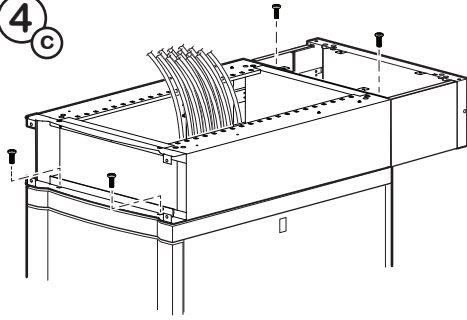
ACDC2510, ACDC2511 ACDC2517, ACDC2518,



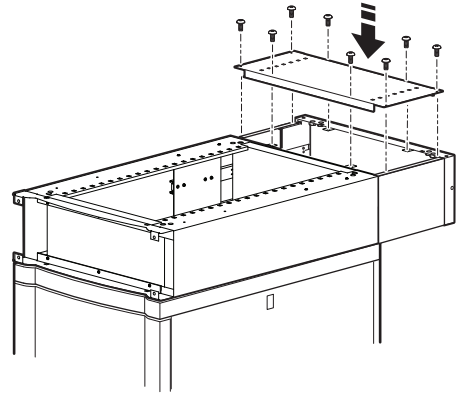
*1070-mm-/1200-mm-deep racks only



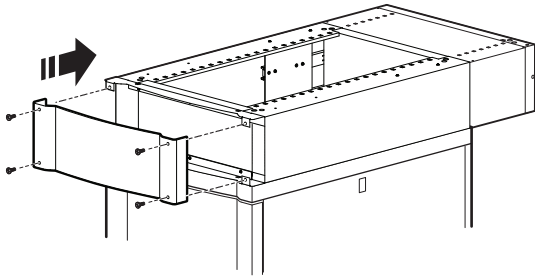
4
c



5

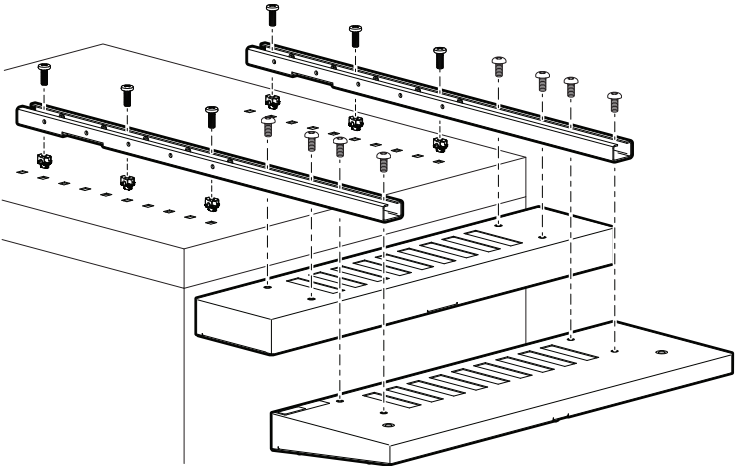


6

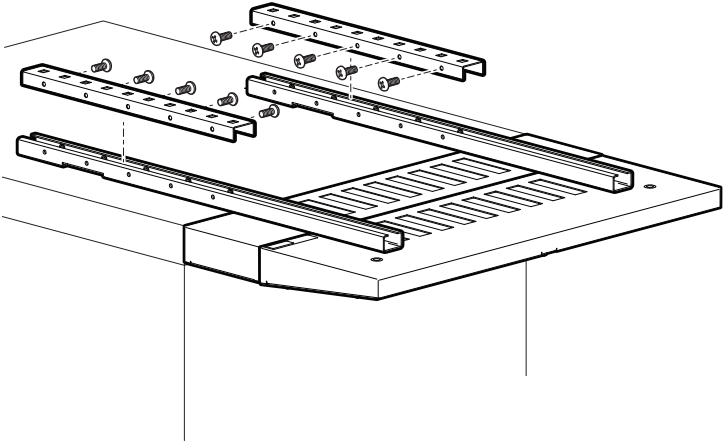


ACDC2552, ACDC2553

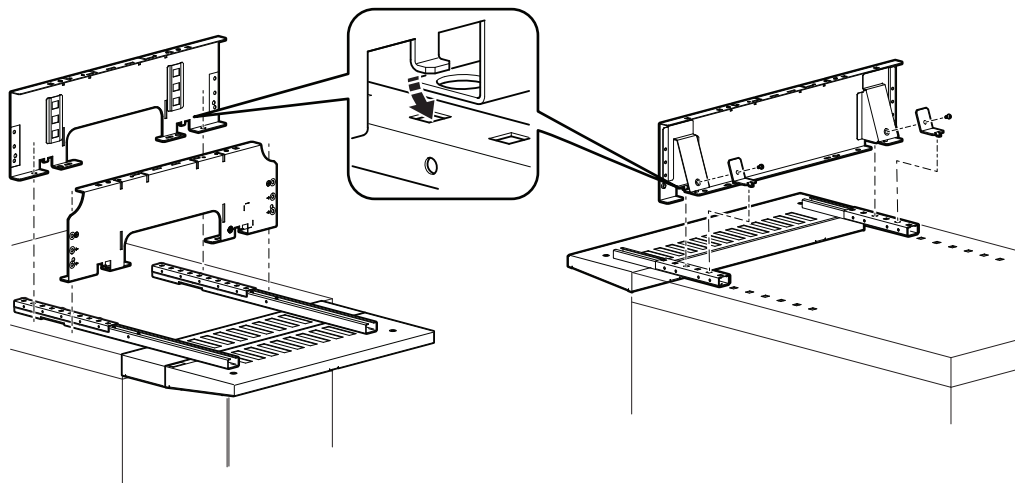
1



2



3



Customer support and warranty information is available at the APC Web site, www.apc.com.

© Schneider Electric is owned by Schneider Electric Industries S.A.S., or its affiliated companies. All other trademarks are property of their respective owners.

990-5070A
9/2015