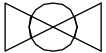

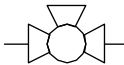

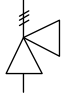

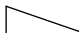


ACRD300 – INROW–RD, FLUID COOLED

Sheet No.	Component/Detail	Description
1	Drawing Guide	ACRD300, Fluid Cooled,
2	Isometric External View	ACRD300, Fluid Cooled, Isometric External View
3	General Arrangement	ACRD300, Fluid Cooled, General Arrangement
4	Top and Bottom View	ACRD300, Fluid Cooled, Top and Bottom View
5	Anchoring Details	ACRD300, Fluid Cooled, Anchoring Details
6–7	Internal View	ACRD300, Fluid Cooled, Internal View
8	Piping Diagram	ACRD300, Fluid Cooled, Piping Diagram
9	Electrical Data	ACRD300, Fluid Cooled, Electrical Data
10	User Interface	ACRD300, Fluid Cooled, User Interface

LEGEND			
SYMBOL	DESCRIPTION	SYMBOL	DESCRIPTION
	SHUT OFF VALVE		P-Trap
	HEAD PRESSURE CONTROL VALVE		S-Trap
	PRESSURE RELIEF VALVE		Inverted Trap
	CHECK VALVE		

THIS DRAWING AND SPECIFICATIONS HEREIN ARE THE PROPERTY OF SCHNEIDER ELECTRIC AND SHALL NOT BE COPIED, REPRODUCED OR USED IN WHOLE OR IN PART, AS THE BASIS FOR THE MANUFACTURE OR SALE OF ITEMS WITHOUT WRITTEN PERMISSION FROM SCHNEIDER ELECTRIC. THIS DRAWING IS BASED UPON LATEST AVAILABLE INFORMATION AND IS SUBJECT TO CHANGE WITHOUT NOTICE.



TITLE: InRow DIRECT EXPANSION
InRow RD, 300mm, FLUID COOLED
ACRD300
ACRD201 : 220 - 240V, 50 Hz
DRAWING GUIDE

DWG NO: **ACRD300**

REV: **0**

DRAWN: C KRISHNA 08-MAR-19

ENGINEER: RAAM C 20-AUG-19

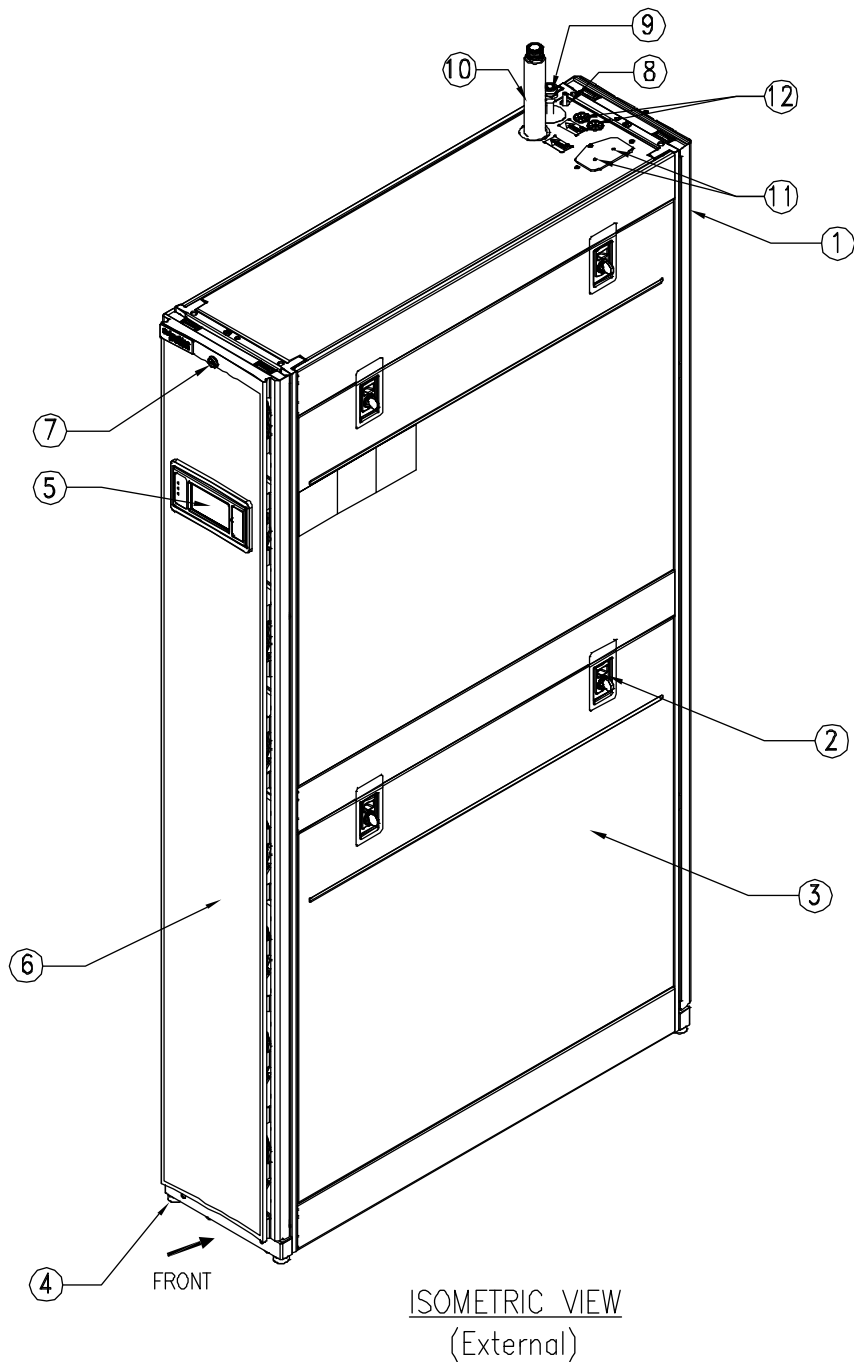
APPROVED: RAAM C 20-AUG-19

ANGLE

PROJECTION:

N/A

PROJECT: DRAWINGS SHEET 1 OF 10



ISOMETRIC VIEW
(External)

- ① Removable Rear Door
- ② Side Panel Latch
- ③ Removable Side Panel
- ④ Adjustable Leveling Foot
- ⑤ Display Interface
- ⑥ Removable Front Door
- ⑦ Door Lock
- ⑧ Top Condensate Pump Drain
- ⑨ Liquid In (Supply)
- ⑩ Suction line
- ⑪ Electrical Power Input
- ⑫ Low Voltage Wiring Input

NOTES:

1. INSTALLATION SHALL COMPLY WITH ALL APPLICABLE NATIONAL, STATE AND LOCAL ELECTRICAL REGULATIONS.
2. PLEASE REFER TO PRODUCT MANUALS FOR ADDITIONAL DETAILS PRIOR TO INSTALLATION AND SITE PREPARATION WORK.

THIS DRAWING AND SPECIFICATIONS HEREIN ARE THE PROPERTY OF SCHNEIDER ELECTRIC AND SHALL NOT BE COPIED, REPRODUCED OR USED IN WHOLE OR IN PART, AS THE BASIS FOR THE MANUFACTURE OR SALE OF ITEMS WITHOUT WRITTEN PERMISSION FROM SCHNEIDER ELECTRIC. THIS DRAWING IS BASED UPON LATEST AVAILABLE INFORMATION AND IS SUBJECT TO CHANGE WITHOUT NOTICE.

Schneider
Electric

TITLE: InRow DIRECT EXPANSION
InRow RD, 300mm, FLUID COOLED
ACRD300
ISOMETRIC EXTERNAL VIEW

DWG NO: ACRD300

REV. 0

DRAWN: C KRISHNA 08-MAR-19

ENGINEER: RAAM C 20-AUG-19

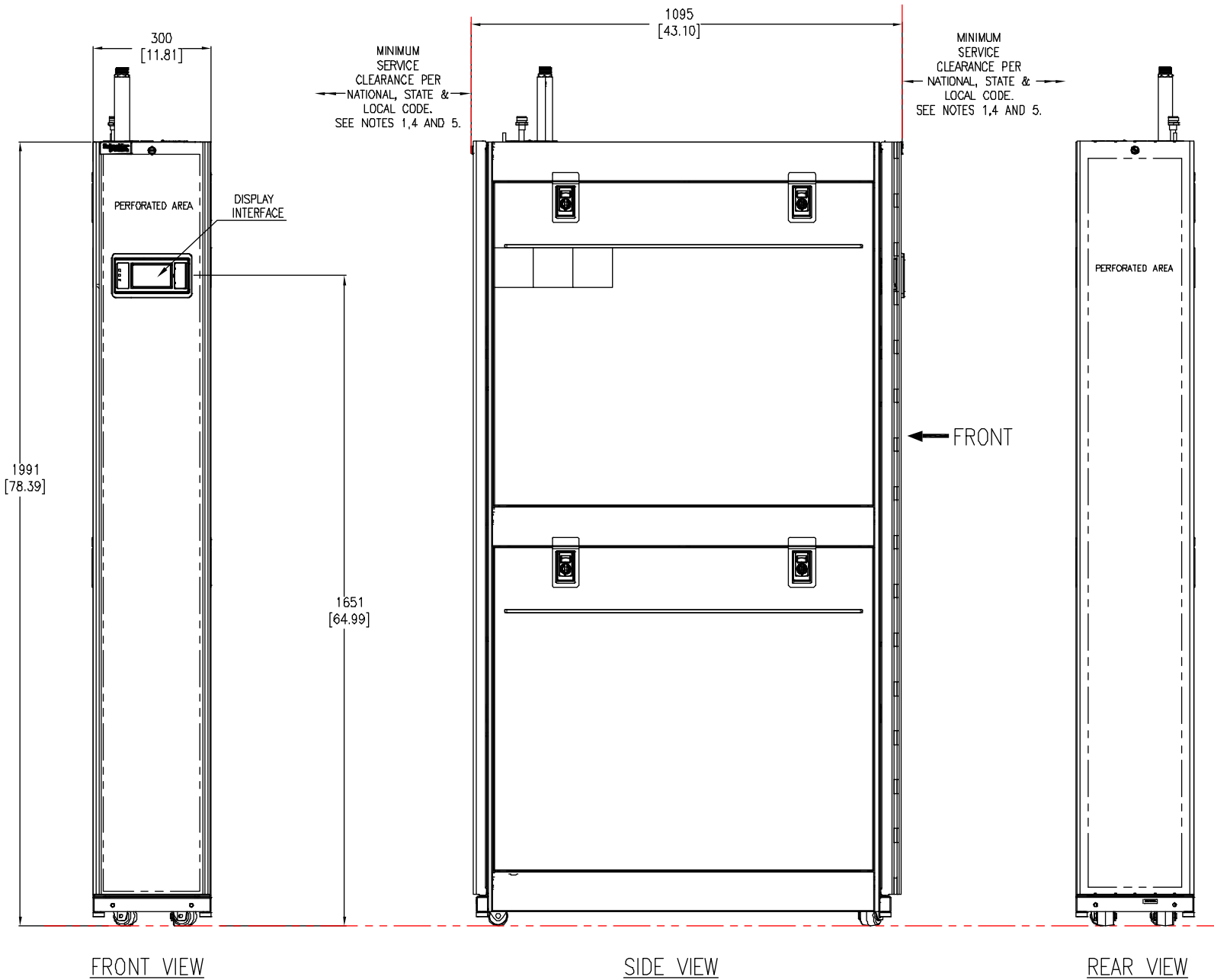
APPROVED: RAAM C 20-AUG-19

ANGLE

PROJECTION:

N/A

PROJECT: DRAWINGS SHEET 2 OF 10



NOTES:

1. INSTALLATION SHALL COMPLY WITH ALL APPLICABLE NATIONAL, STATE AND LOCAL ELECTRICAL REGULATIONS.
2. PLEASE REFER TO PRODUCT MANUALS FOR ADDITIONAL DETAILS PRIOR TO INSTALLATION AND SITE PREPARATION WORK.
3. UNLESS OTHERWISE SPECIFIED, ALL DIMENSIONS ARE IN MILLIMETERS [INCHES].
4. A MINIMUM OF 900 MM (36 IN.) OF CLEAR FLOOR SPACE IN FRONT OF AND BEHIND THE EQUIPMENT IS RECOMMENDED FOR SERVICE ACCESS. ALL REQUIRED NORMAL MAINTENANCE IS PERFORMED FROM THE FRONT AND REAR OF THE EQUIPMENT.
5. AN AREA OF MINIMUM 1200 MM (48 IN.) OF CLEAR FLOOR SPACE IN FRONT OF OR BEHIND THE EQUIPMENT IS RECOMMENDED TO ROLL OUT THE EQUIPMENT.
6. FRONT AND REAR ACCESS IS REQUIRED FOR SERVICE.
7. MAXIMUM WEIGHT OF UNIT IS 160 kg [353 lb].

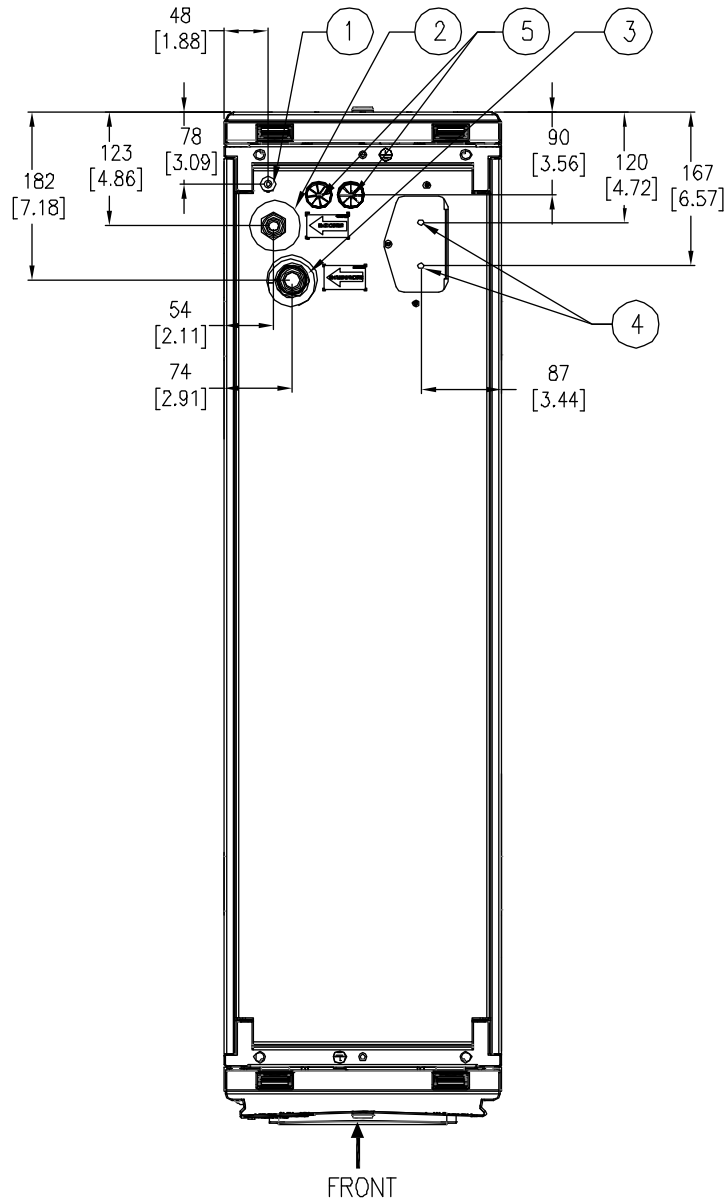
THIS DRAWING AND SPECIFICATIONS HEREIN ARE THE PROPERTY OF SCHNEIDER ELECTRIC AND SHALL NOT BE COPIED, REPRODUCED OR USED IN WHOLE OR IN PART, AS THE BASIS FOR THE MANUFACTURE OR SALE OF ITEMS WITHOUT WRITTEN PERMISSION FROM SCHNEIDER ELECTRIC. THIS DRAWING IS BASED UPON LATEST AVAILABLE INFORMATION AND IS SUBJECT TO CHANGE WITHOUT NOTICE.



TITLE: InRow DIRECT EXPANSION
InRow RD, 300mm, FLUID COOLED
ACRD300
GENERAL ARRANGEMENT

PROJECT: DRAWINGS SHEET 3 OF 10

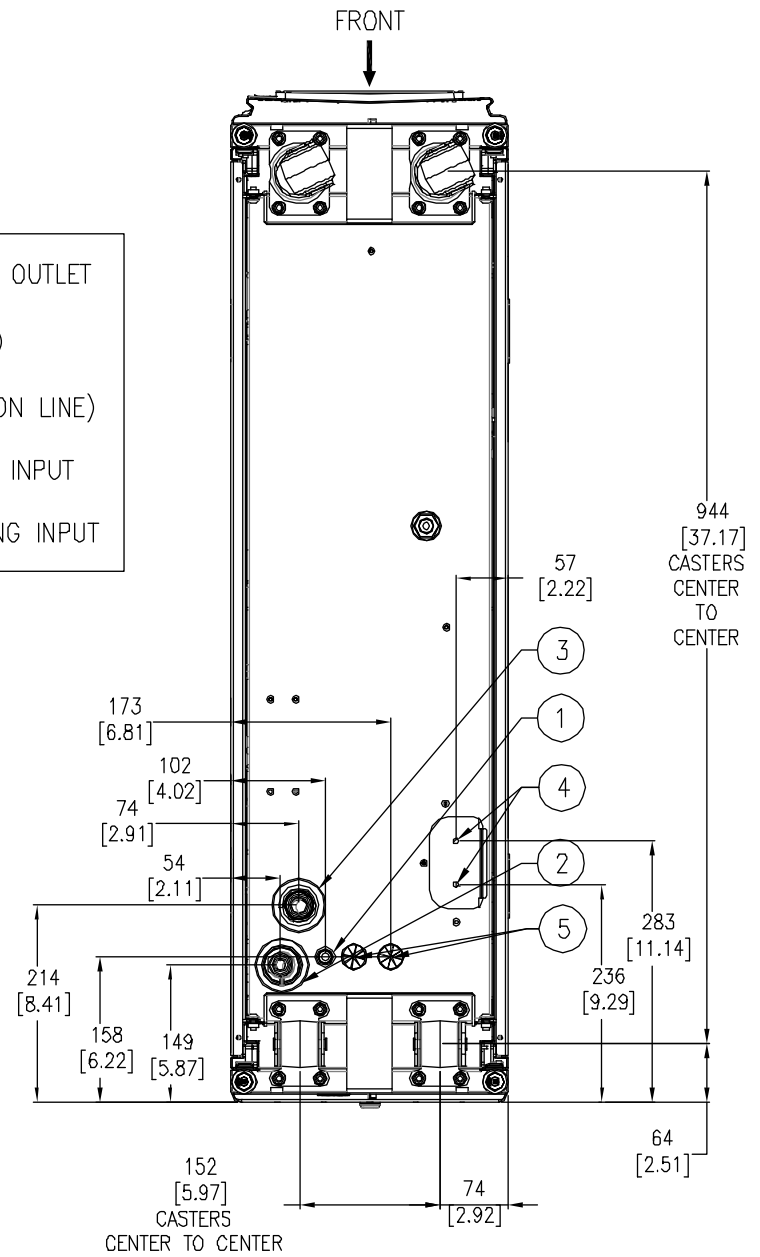
DWG NO:	ACRD300		REV.	0
DRAWN:	C KRISHNA	08-MAR-19	ENGINEER:	RAAM C
APPROVED:	RAAM C	20-AUG-19	DATE:	20-AUG-19
			PROJECT:	ANGLE PROJECTION



TOP VIEW

(PIPING & POWER FEED LOCATIONS FOR TOP ENTRY)

- ① CONDENSATE PUMP OUTLET
- ② LIQUID IN (SUPPLY)
- ③ LIQUID OUT (SUCTION LINE)
- ④ ELECTRICAL POWER INPUT
- ⑤ LOW VOLTAGE WIRING INPUT



BOTTOM VIEW

(PIPING & POWER FEED LOCATIONS FOR BOTTOM ENTRY)

NOTES:

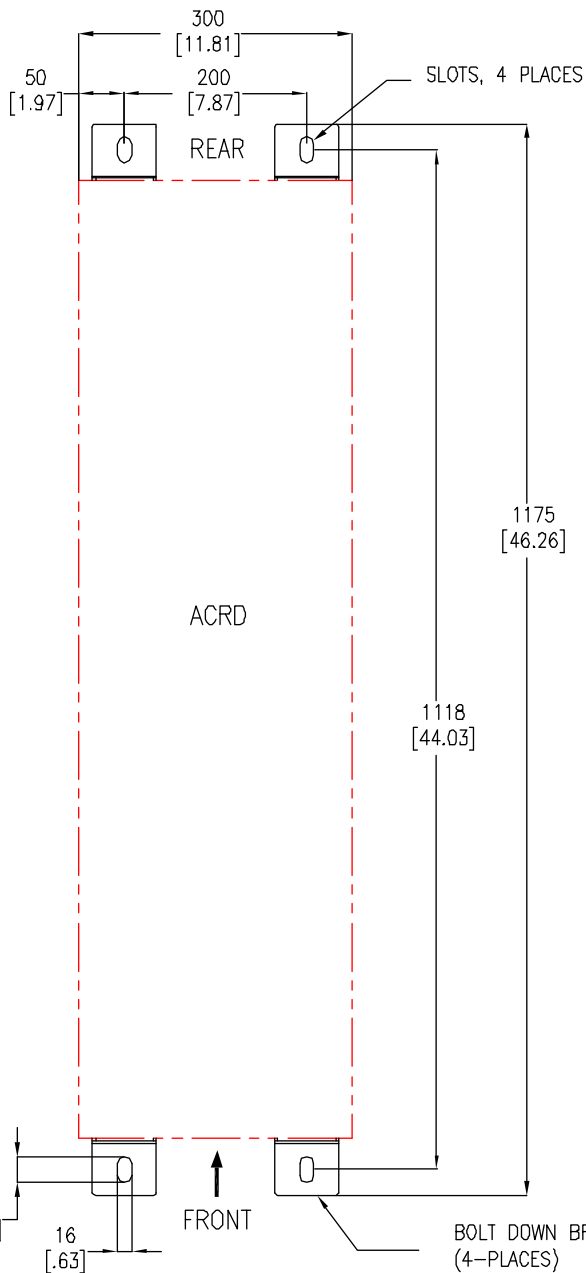
1. INSTALLATION SHALL COMPLY WITH ALL APPLICABLE NATIONAL, STATE AND LOCAL ELECTRICAL REGULATIONS.
2. PLEASE REFER TO PRODUCT MANUALS FOR ADDITIONAL DETAILS PRIOR TO INSTALLATION AND SITE PREPARATION WORK.
3. UNLESS OTHERWISE SPECIFIED, ALL DIMENSIONS ARE IN MILLIMETERS [INCHES].

THIS DRAWING AND SPECIFICATIONS HEREIN ARE THE PROPERTY OF SCHNEIDER ELECTRIC AND SHALL NOT BE COPIED, REPRODUCED OR USED IN WHOLE OR IN PART, AS THE BASIS FOR THE MANUFACTURE OR SALE OF ITEMS WITHOUT WRITTEN PERMISSION FROM SCHNEIDER ELECTRIC. THIS DRAWING IS BASED UPON LATEST AVAILABLE INFORMATION AND IS SUBJECT TO CHANGE WITHOUT NOTICE.



TITLE: InRow DIRECT EXPANSION
InRow RD, 300mm, FLUID COOLED
ACRD300
TOP VIEW & BOTTOM VIEW

DWG NO:	ACRD300		REV:	0
DRAWN:	C KRISHNA	08-MAR-19	FIRST ANGLE PROJECTION	
ENGINEER:	RAAM C	20-AUG-19		
APPROVED:	RAAM C	20-AUG-19		



ACRD

1118
[44.03]

1175
[46.26]

BOLT DOWN BRACKET
(4-PLACES)

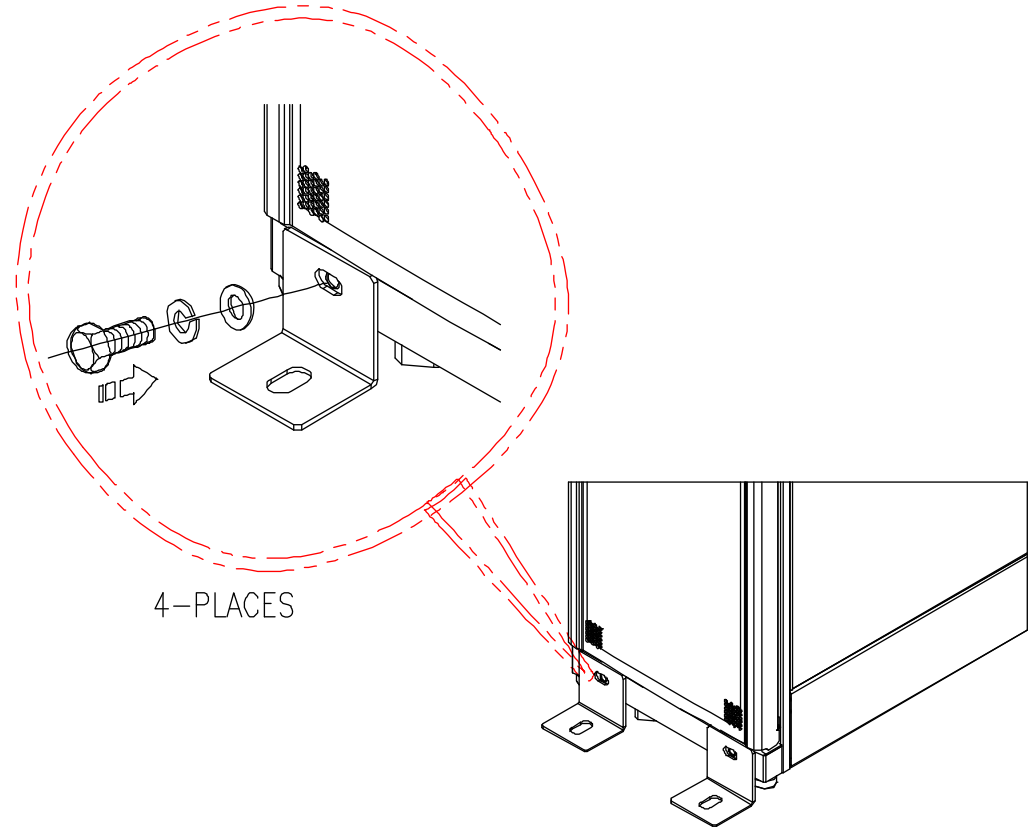
TOP VIEW

(BOLT DOWN BRACKETS MOUNTING HOLE LOCATIONS)

IT IS NOT RECOMMENDED TO
PRE-DRILL HOLES BEFORE
PLACING RD UNITS IN ROW.

STABILIZING THE InRow RD:

TO PREVENT THE ENCLOSURE FROM MOVING FROM ITS FINAL LOCATION
(IF NOT BAYED TO ANOTHER DEVICE). USE AR7701(BOLT-DOWN KIT)
WHICH IS INCLUDED IN THE SHIP LOOSE PARTS KIT).
ATTACH THE BRACKETS TO THE UNIT AS SHOWN.
USE CODE COMPLIANT FASTENERS TO SECURE THE UNIT TO THE FLOOR.



4-PLACES

NOTES:

1. INSTALLATION SHALL COMPLY WITH ALL APPLICABLE NATIONAL, STATE AND LOCAL ELECTRICAL REGULATIONS.
2. PLEASE REFER TO PRODUCT MANUALS FOR ADDITIONAL DETAILS PRIOR TO INSTALLATION AND SITE PREPARATION WORK.
3. UNLESS OTHERWISE SPECIFIED, ALL DIMENSIONS ARE IN MILLIMETERS [INCHES].
- △ 4. BOLT DOWN KIT (#AR7701) IS OPTIONAL AND HAS TO BE ORDERED SEPARATELY.
5. REFER TO "InfraStruXure InRow-RD SEISMIC INSTALLATION GUIDE" FOR SEISMIC ANCHORING GUIDELINES.

THIS DRAWING AND SPECIFICATIONS HEREIN ARE THE PROPERTY OF SCHNEIDER ELECTRIC AND SHALL NOT BE COPIED, REPRODUCED OR USED IN WHOLE OR IN PART, AS THE BASIS FOR THE MANUFACTURE OR SALE OF ITEMS WITHOUT WRITTEN PERMISSION FROM SCHNEIDER ELECTRIC. THIS DRAWING IS BASED UPON LATEST AVAILABLE INFORMATION AND IS SUBJECT TO CHANGE WITHOUT NOTICE.

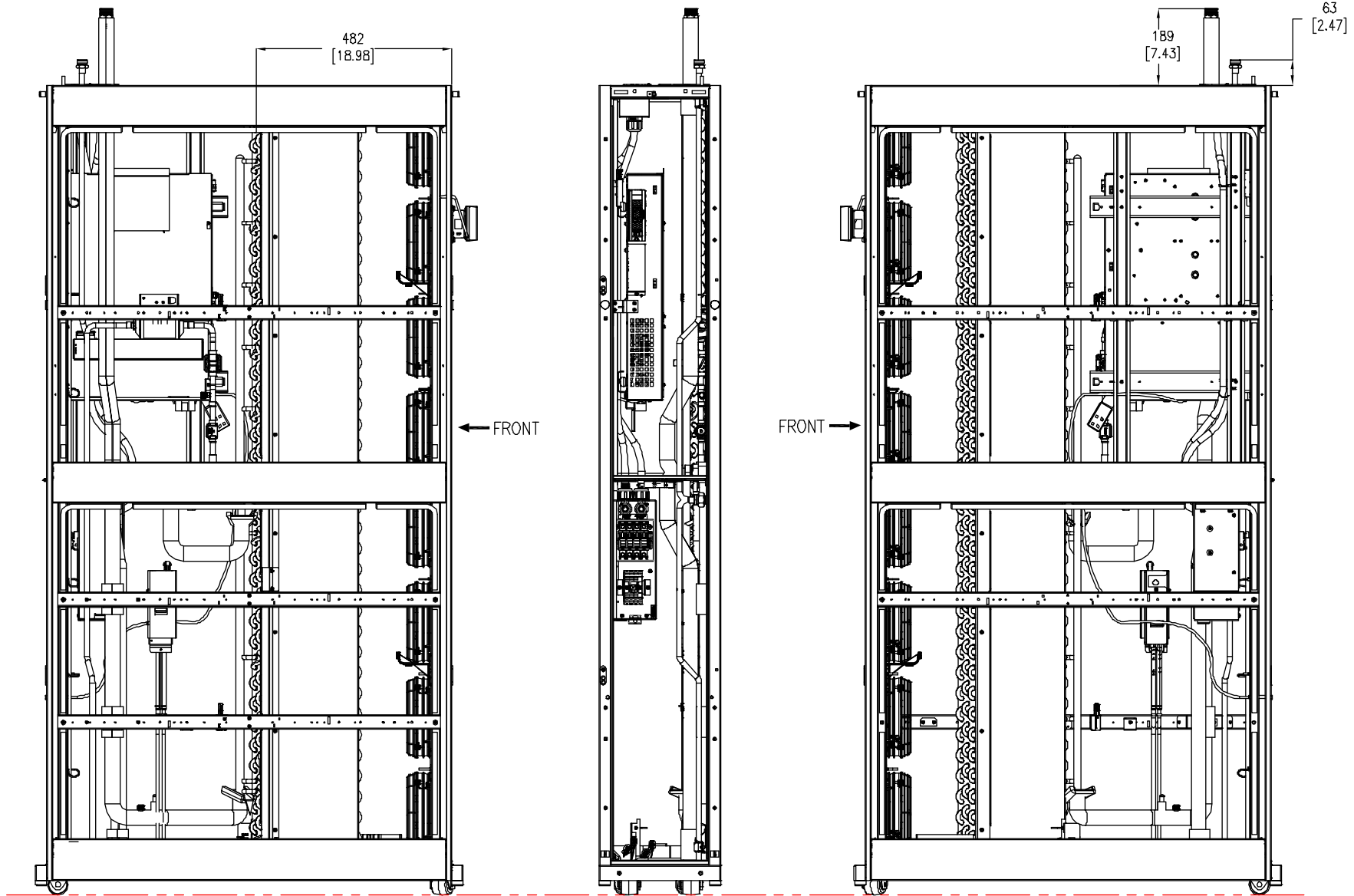


TITLE: InRow DIRECT EXPANSION
InRow RD, 300mm, FLUID COOLED
ACRD300
ANCHORING DETAILS

DWG NO:	ACRD300	REV:	0
DRAWN:	C KRISHNA	08-MAR-19	FIRST ANGLE PROJECTION
ENGINEER:	RAAM C	20-AUG-19	
APPROVED:	RAAM C	20-AUG-19	

PROJECT: DRAWINGS SHEET 5 OF 10

TOP PIPING CONFIGURATION



SIDE VIEW
(SIDE PANELS REMOVED)

REAR VIEW
(REAR DOOR, FILTERS &
PIPING INSULATION REMOVED)

SIDE VIEW
(SIDE PANELS REMOVED)

- NOTES:
1. INSTALLATION SHALL COMPLY WITH ALL APPLICABLE NATIONAL, STATE AND LOCAL ELECTRICAL REGULATIONS.
 2. PLEASE REFER TO PRODUCT MANUALS FOR ADDITIONAL DETAILS PRIOR TO INSTALLATION AND SITE PREPARATION WORK.
 3. UNLESS OTHERWISE SPECIFIED, ALL DIMENSIONS ARE IN MILLIMETERS [INCHES].

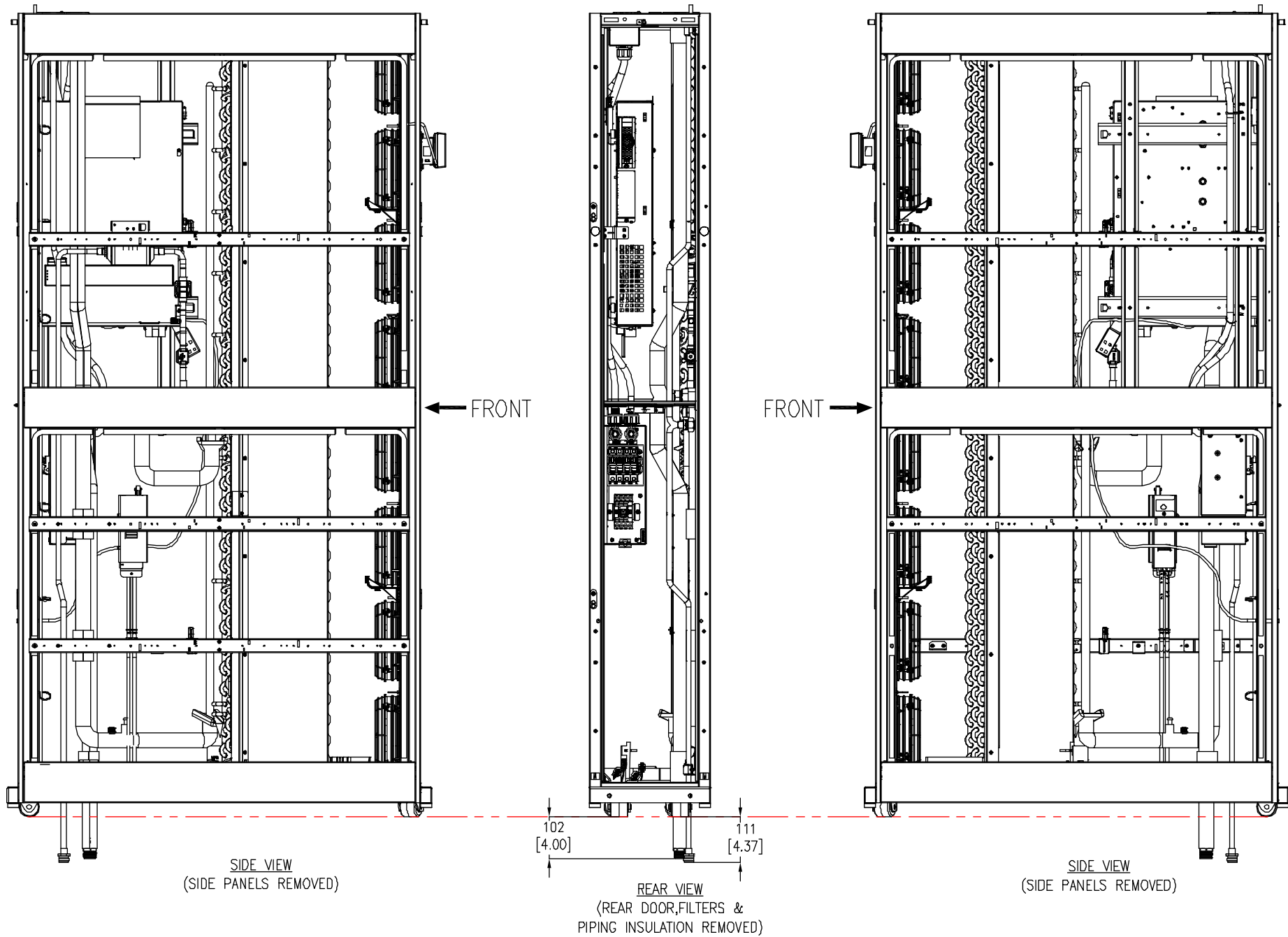
THIS DRAWING AND SPECIFICATIONS HEREIN ARE THE PROPERTY OF SCHNEIDER ELECTRIC AND SHALL NOT BE COPIED, REPRODUCED OR USED IN WHOLE OR IN PART, AS THE BASIS FOR THE MANUFACTURE OR SALE OF ITEMS WITHOUT WRITTEN PERMISSION FROM SCHNEIDER ELECTRIC. THIS DRAWING IS BASED UPON LATEST AVAILABLE INFORMATION AND IS SUBJECT TO CHANGE WITHOUT NOTICE.



TITLE: InRow DIRECT EXPANSION
InRow RD, 300mm, FLUID COOLED
ACRD300
INTERNAL VIEW - TOP PIPING

PROJECT: DRAWINGS SHEET 6 OF 10

DWG NO:	ACRD300		REV:	0
DRAWN:	C KRISHNA	08-MAR-19	FIRST	ANGLE
ENGINEER:	RAAM C	20-AUG-19	PROJECTION	
APPROVED:	RAAM C	20-AUG-19		



- NOTES:**
1. INSTALLATION SHALL COMPLY WITH ALL APPLICABLE NATIONAL, STATE AND LOCAL ELECTRICAL REGULATIONS.
 2. PLEASE REFER TO PRODUCT MANUALS FOR ADDITIONAL DETAILS PRIOR TO INSTALLATION AND SITE PREPARATION WORK.
 3. UNLESS OTHERWISE SPECIFIED, ALL DIMENSIONS ARE IN MILLIMETERS [INCHES].

THIS DRAWING AND SPECIFICATIONS HEREIN ARE THE PROPERTY OF SCHNEIDER ELECTRIC AND SHALL NOT BE COPIED, REPRODUCED OR USED IN WHOLE OR IN PART, AS THE BASIS FOR THE MANUFACTURE OR SALE OF ITEMS WITHOUT WRITTEN PERMISSION FROM SCHNEIDER ELECTRIC. THIS DRAWING IS BASED UPON LATEST AVAILABLE INFORMATION AND IS SUBJECT TO CHANGE WITHOUT NOTICE.



TITLE: InRow DIRECT EXPANSION
InRow RD, 300mm, FLUID COOLED
ACRD300
INTERNAL VIEW - BOTTOM PIPING

DWG NO: ACRD300

REV: 0

DRAWN: C KRISHNA 08-MAR-19

ENGINEER: RAAM C 20-AUG-19

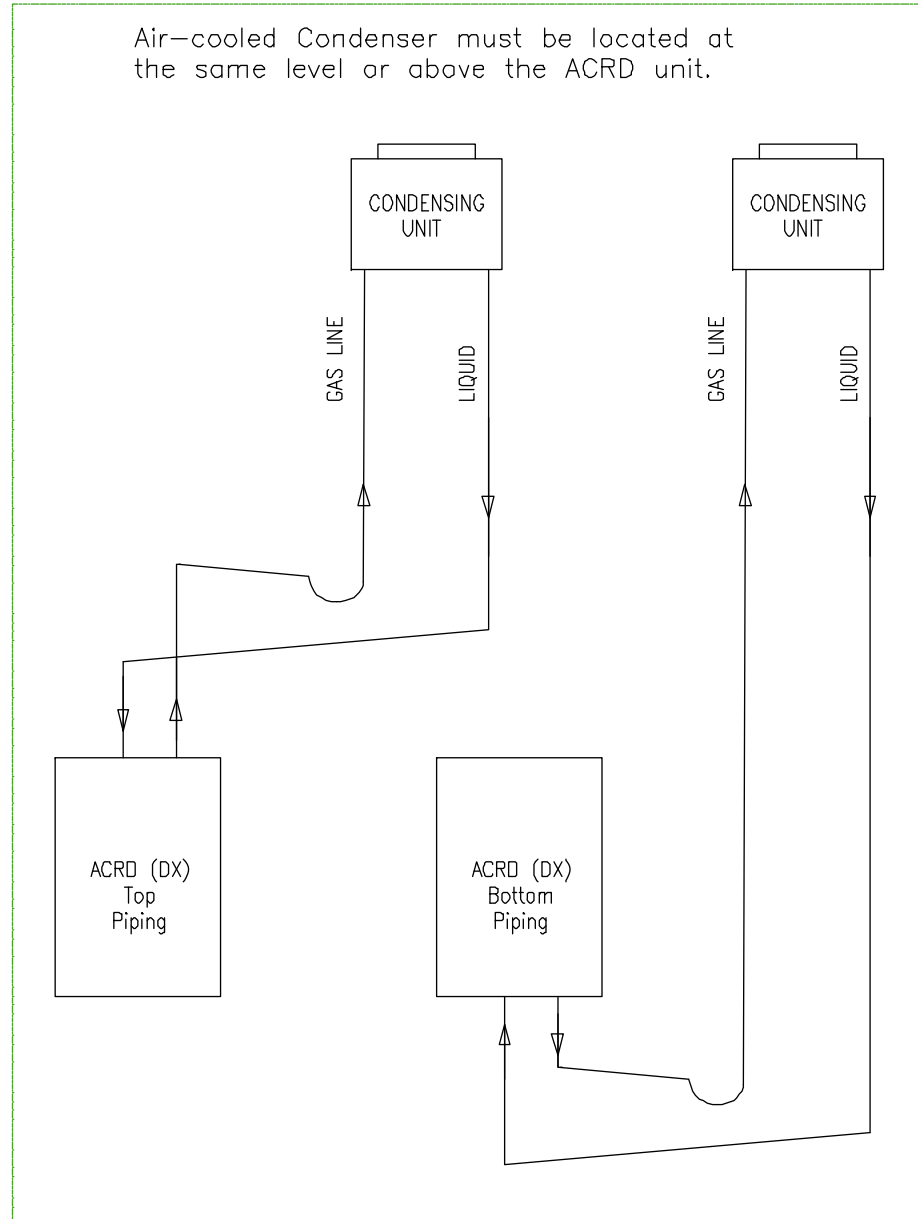
APPROVED: RAAM C 20-AUG-19

FIRST ANGLE PROJECTION

PROJECT: DRAWINGS **SHEET** 7 OF 10

Piping Diagram

Air-cooled Condenser must be located at the same level or above the ACRD unit.



NOTES:

1. INSTALLATION SHALL COMPLY WITH ALL APPLICABLE NATIONAL, STATE AND LOCAL ELECTRICAL REGULATIONS.
2. PLEASE REFER TO PRODUCT MANUALS FOR ADDITIONAL DETAILS PRIOR TO INSTALLATION AND SITE PREPARATION WORK.
3. THE TOP PIPING CONFIGURATION WILL HAVE THE SAME VALVES, FITTINGS & STRAINERS AS BOTTOM PIPING CONFIGURATION.

THIS DRAWING AND SPECIFICATIONS HEREIN ARE THE PROPERTY OF SCHNEIDER ELECTRIC AND SHALL NOT BE COPIED, REPRODUCED OR USED IN WHOLE OR IN PART, AS THE BASIS FOR THE MANUFACTURE OR SALE OF ITEMS WITHOUT WRITTEN PERMISSION FROM SCHNEIDER ELECTRIC. THIS DRAWING IS BASED UPON LATEST AVAILABLE INFORMATION AND IS SUBJECT TO CHANGE WITHOUT NOTICE.

Schneider
Electric

TITLE: InRow DIRECT EXPANSION
InRow RD, 300mm, FLUID COOLED
ACRD300
PIPING DIAGRAM

DWG NO: ACRD300

REV. 0

DRAWN: C KRISHNA 08-MAR-19

ENGINEER: RAAM C 20-AUG-19

APPROVED: RAAM C 20-AUG-19

PROJECT: DRAWINGS SHEET 8 OF 10

FIRST
ANGLE
PROJECTION

POWER CONNECTIONS

SKU	Voltage	Frequency	65 kAIC	Power Feed	Number of Fan Power Supplies	Drainage System	Airflow Pattern
ACRD300	220 V	50 Hz	No	Dual feed	1	Condensate pump	Rear to front
ACRD300D	220 V	50 Hz	No	Dual feed	2	Condensate pump	Rear to front
ACRD300G	220 V	50 Hz	No	Dual feed	1	Gravity drain	Rear to front
ACRD300GD	220 V	50 Hz	No	Dual feed	2	Gravity drain	Rear to front
ACRD301	100–120 V* / 200–240 V	50/60 Hz	Yes	Dual feed	1	Condensate pump	Rear to front
ACRD301G	100–120 V* / 200–240 V	50/60 Hz	Yes	Dual feed	1	Gravity drain	Rear to front

*Configure proper voltage before applying power to the cooling unit.

NOTES:

1. INSTALLATION SHALL COMPLY WITH ALL APPLICABLE NATIONAL, STATE AND LOCAL ELECTRICAL REGULATIONS.
2. PLEASE REFER TO PRODUCT MANUALS FOR ADDITIONAL DETAILS PRIOR TO INSTALLATION AND SITE PREPARATION WORK.

THIS DRAWING AND SPECIFICATIONS HEREIN ARE THE PROPERTY OF SCHNEIDER ELECTRIC AND SHALL NOT BE COPIED, REPRODUCED OR USED IN WHOLE OR IN PART, AS THE BASIS FOR THE MANUFACTURE OR SALE OF ITEMS WITHOUT WRITTEN PERMISSION FROM SCHNEIDER ELECTRIC. THIS DRAWING IS BASED UPON LATEST AVAILABLE INFORMATION AND IS SUBJECT TO CHANGE WITHOUT NOTICE.



TITLE: InRow DIRECT EXPANSION
InRow RD, 300mm, FLUID COOLED
ACRD300
CONNECTION OVERVIEW

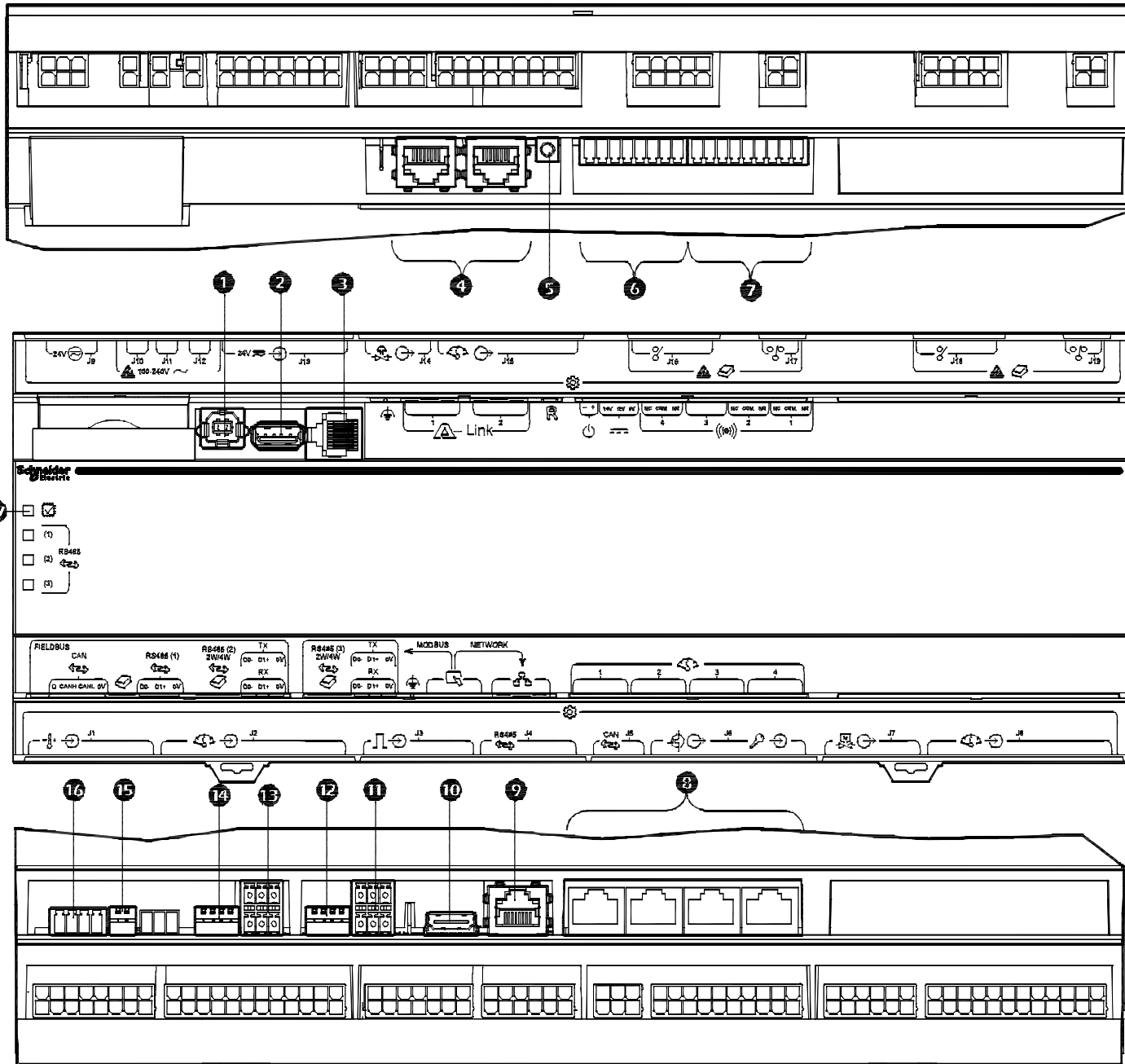
DWG NO: **ACRD300** REV: **0**

DRAWN: C KRISHNA 08-MAR-19

ENGINEER: RAAM C 20-AUG-19

APPROVED: RAAM C 20-AUG-19

ANGLE PROJECTION
NA



- ① USB DEVICE PORT
- ② USB HOST PORT (Not Available)
- ③ SERIAL PORT (Not Available)
- ④ A-LINK PORTS
- ⑤ RESET BUTTON
- ⑥ OUTPUT RELAY 4/STANDBY INPUT
- ⑦ OUTPUT RELAY 1-3 (Not Available)
- ⑧ UNIVERSAL SENSOR PORTS
- ⑨ NETWORK CONNECTION
- ⑩ TOUCH SCREEN DISPLAY CONNECTION
- ⑪ MODBUS CONNECTION
- ⑫ MODBUS CONFIGURATION SWITCHES
- ⑬ FIELDBUS MODBUS CONNECTION (Not Available)
- ⑭ FIELDBUS MODBUS CONFIGURATION SWITCHES (Not Available)
- ⑮ FIELDBUS CANBUS CONFIGURATION SWITCHES (Not Available)
- ⑯ FIELDBUS CANBUS CONNECTION (Not Available)
- ⑰ PROCESSOR STATUS LED

NOTES:

- INSTALLATION SHALL COMPLY WITH ALL APPLICABLE NATIONAL, STATE AND LOCAL ELECTRICAL REGULATIONS.
- PLEASE REFER TO PRODUCT MANUALS FOR ADDITIONAL DETAILS PRIOR TO INSTALLATION AND SITE PREPARATION WORK.

THIS DRAWING AND SPECIFICATIONS HEREIN ARE THE PROPERTY OF SCHNEIDER ELECTRIC AND SHALL NOT BE COPIED, REPRODUCED OR USED IN WHOLE OR IN PART, AS THE BASIS FOR THE MANUFACTURE OR SALE OF ITEMS WITHOUT WRITTEN PERMISSION FROM SCHNEIDER ELECTRIC. THIS DRAWING IS BASED UPON LATEST AVAILABLE INFORMATION AND IS SUBJECT TO CHANGE WITHOUT NOTICE.



TITLE: InRow DIRECT EXPANSION InRow RD, 300mm, FLUID COOLED ACRD300 USER INTERFACE		DWG NO: ACRD300	REV: 0
ENGINEER: C KRISHNA	08-MAR-19	APPROVED: RAAM C	20-AUG-19
PROJECT: DRAWINGS	SHEET 10 OF 10	APPROVED: RAAM C	20-AUG-19
			ANGLE PROJECTION: NA