
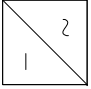
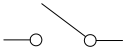
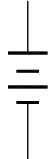

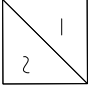


Smart-UPS On-Line

Sheet No.	Component /Detail	Description
1	Draw ing Guide	Smart-UPS-Online SRT3000RMXLT-5KTF+SRT96RMBP 208V
2	Isometric View	Smart-UPS-Online SRT3000RMXLT-5KTF+SRT96RMBP 208V
3	Main Mechanical	Smart-UPS-Online SRT3000RMXLT-5KTF+SRT96RMBP 208V
4	XBP Isometric View	Smart-UPS-Online SRT3000RMXLT-5KTF+SRT96RMBP 208V
5	XBP Main Mechanical	Smart-UPS-Online SRT3000RMXLT-5KTF+SRT96RMBP 208V
6	Bayed Isometric View	Smart-UPS-Online SRT3000RMXLT-5KTF+SRT96RMBP 208V
7	Bayed Main Mechanical	Smart-UPS-Online SRT3000RMXLT-5KTF+SRT96RMBP 208V
8	System One Line Diagram	Smart-UPS-Online SRT3000RMXLT-5KTF+SRT96RMBP 208V

LEGEND			
SYMBOL	DESCRIPTION	SYMBOL	DESCRIPTION
	CIRCUIT BREAKER		CONVERTER
	RELAY		BATTERY
	TERMINAL		INVERTER

THIS DRAWING AND SPECIFICATIONS HEREIN ARE THE PROPERTY OF SCHNEIDER ELECTRIC AND SHALL NOT BE COPIED, REPRODUCED OR USED IN WHOLE OR IN PART, AS THE BASIS FOR THE MANUFACTURE OR SALE OF ITEMS WITHOUT WRITTEN PERMISSION FROM SCHNEIDER ELECTRIC. THIS DRAWING IS BASED UPON LATEST AVAILABLE INFORMATION AND IS SUBJECT TO CHANGE WITHOUT NOTICE.

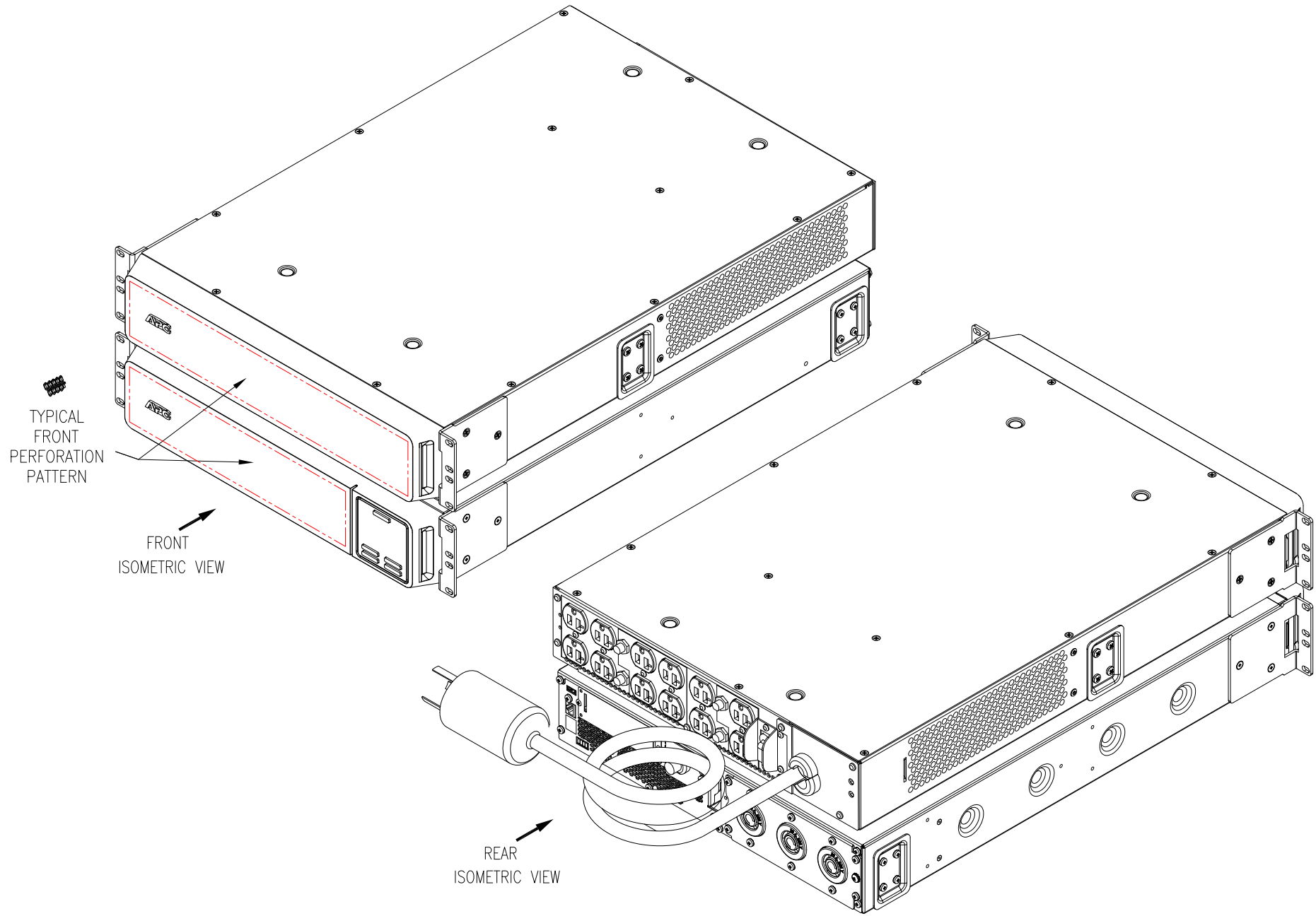


TITLE: Smart-UPS Online (SRT) w/ TRANSFORMER
 SRT3000RMXLT-5KTF+SRT96RMBP+RACKMOUNT
 INPUT: 208VAC, (L1+L2+G), 60Hz 1PH
 UPS OUTPUT: 208VAC, (L1+L2+G) (2) NEMA L6-20R, (1) NEMA L6-30R
 TRANSFORMER OUTPUT: 120VAC, (L+N+G) (12) 5-20R, DRAWING GUIDE

PROJECT: DRAWINGS SHEET 1 OF 8

DWG NO: SRT3000RMXLT-5KTF	REV. 1
DRAWN: C KRISHNA	01-APR-16
ENGINEER: SHANE LEE/WILSON CHEN	01-APR-16
APPROVED: SHANE LEE/WILSON CHEN	01-APR-16

FIRST ANGLE PROJECTION



NOTES:

1. INSTALLATION SHALL COMPLY WITH ALL APPLICABLE NATIONAL AND LOCAL ELECTRICAL REGULATIONS.
2. REFER TO PRODUCT MANUALS FOR ADDITIONAL DETAILS.

THIS DRAWING AND SPECIFICATIONS HEREIN ARE THE PROPERTY OF SCHNEIDER ELECTRIC AND SHALL NOT BE COPIED, REPRODUCED OR USED IN WHOLE OR IN PART, AS THE BASIS FOR THE MANUFACTURE OR SALE OF ITEMS WITHOUT WRITTEN PERMISSION FROM SCHNEIDER ELECTRIC. THIS DRAWING IS BASED UPON LATEST AVAILABLE INFORMATION AND IS SUBJECT TO CHANGE WITHOUT NOTICE.



TITLE: Smart-UPS Online (SRT) w/ TRANSFORMER
 SRT3000RMxLT-5KTF+SRT96RMBP+RACKMOUNT
 INPUT: 208VAC, (L1+L2+G), 60Hz, 1PH
 UPS OUTPUT: 208VAC, (L1+L2+G) (2) NEMA L6-20R, (1) NEMA L6-30R
 TRANSFORMER OUTPUT: 120VAC, (L+N+G) (12) 5-20R, ISOMETRIC VIEWS

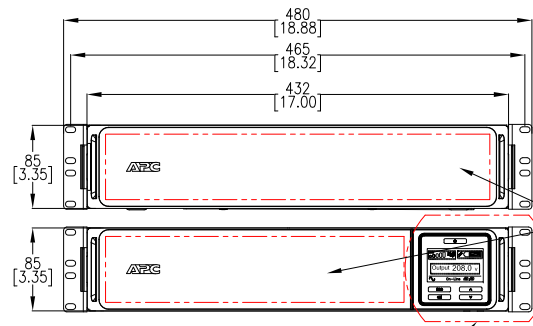
PROJECT: DRAWINGS SHEET 2 OF 8

DWG NO: SRT3000RMxLT-5KTF

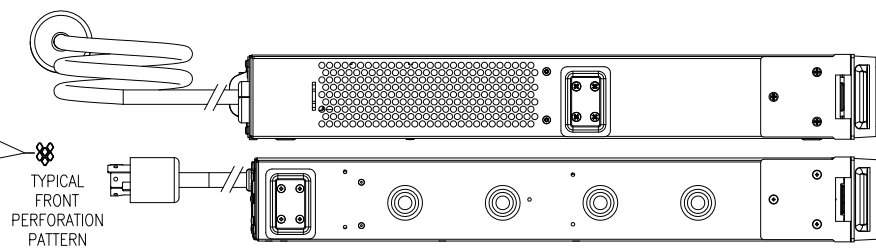
DRAWN:	C KRISHNA	01-APR-16
ENGINEER:	SHANE LEE	01-APR-16
APPROVED:	SHANE LEE	01-APR-16

REV. 1

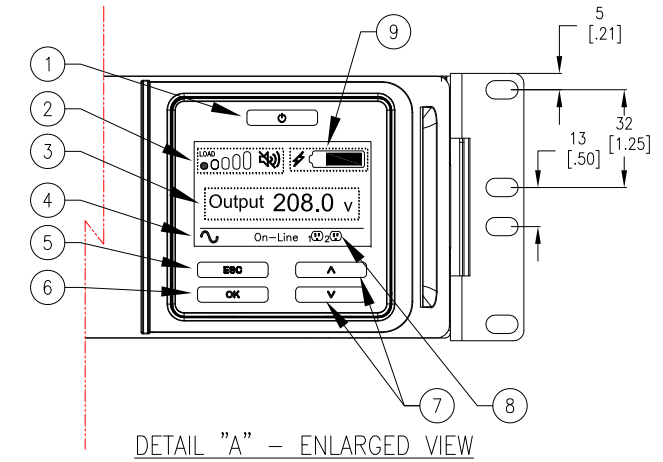
FIRST ANGLE PROJECTION



FRONT VIEW



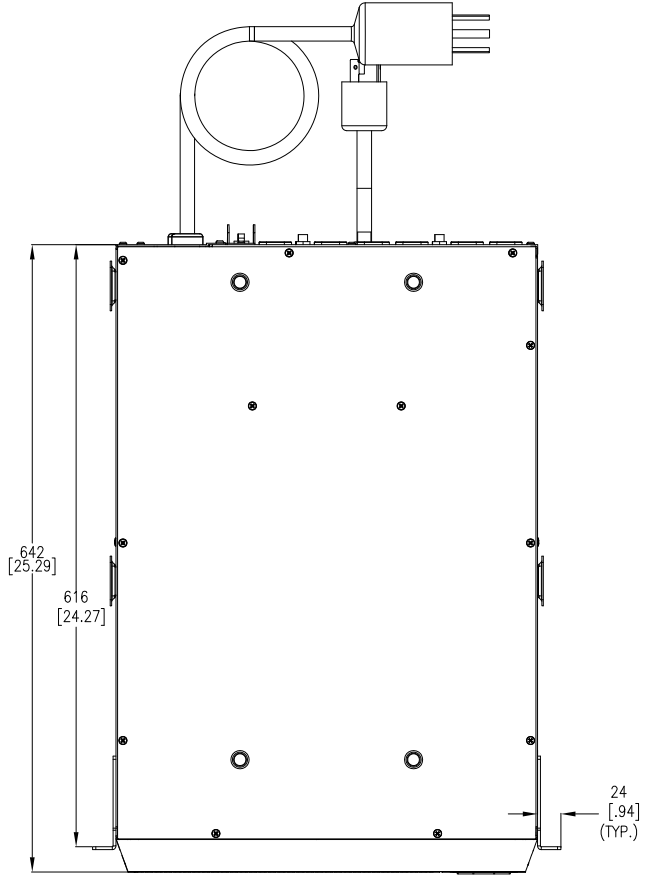
SIDE VIEW



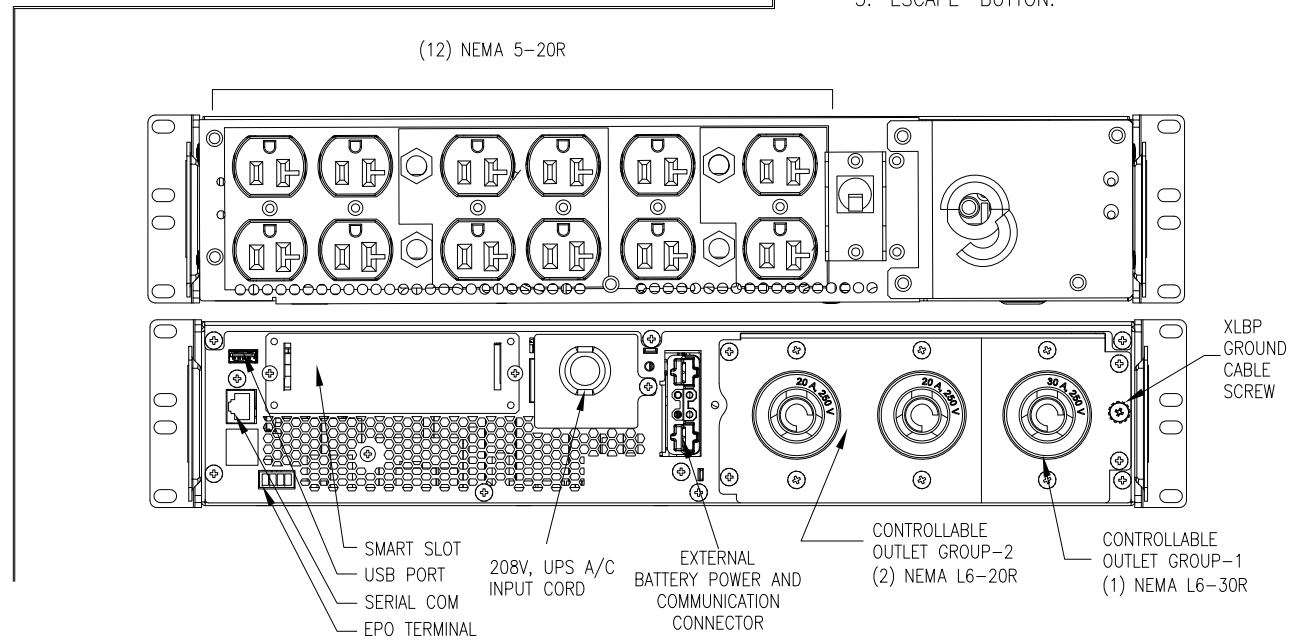
DETAIL "A" - ENLARGED VIEW

DISPLAY INTERFACE:

- 1. POWER "ON/OFF" BUTTON.
- 2. LOAD ICON, DISABLE/ MUTE AUDIBLE ALARM ICON.
- 3. UPS STATUS INFORMATION.
- 4. OPERATION MODE ICONS.
- 5. "ESCAPE" BUTTON.
- 6. "OK" BUTTON.
- 7. "UP/DOWN" BUTTONS.
- 8. CONTROLLABLE OUTLET GROUP STATUS ICONS.
- 9. BATTERY STATUS ICONS.



TOP VIEW



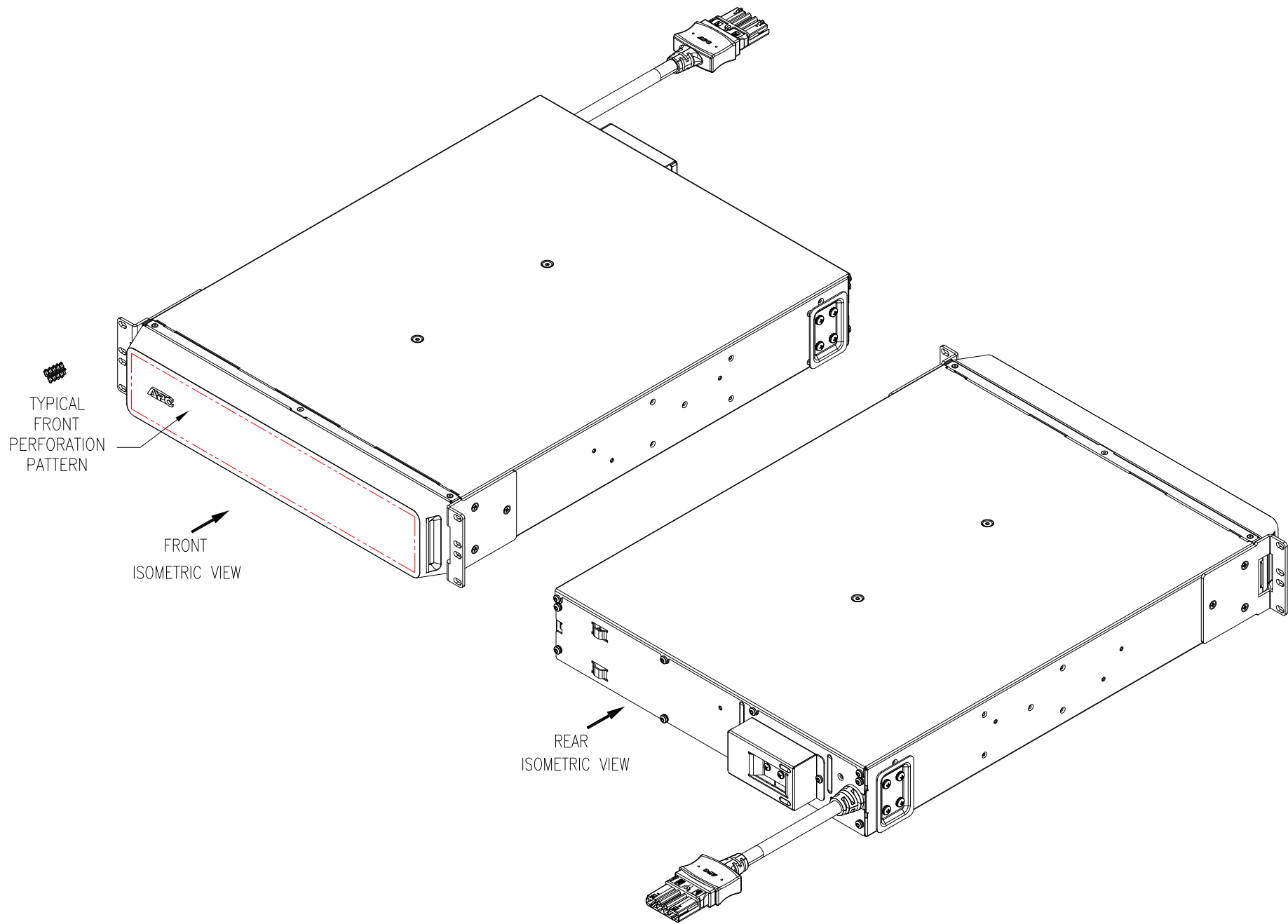
REAR VIEW

- NOTES:
1. INSTALLATION SHALL COMPLY WITH ALL APPLICABLE NATIONAL AND LOCAL ELECTRICAL REGULATIONS.
 2. REFER TO PRODUCT MANUALS FOR ADDITIONAL DETAILS.
 3. ALL DIMENSIONS ARE IN MILLIMETERS [INCHES], UNLESS OTHERWISE SPECIFIED.
 4. CABLE ENTRY IS REAR SIDE OF UNIT.
 5. WEIGHT OF UNIT WITHOUT BATTERY IS 69.6kg [154.9 LBS] AND WITH BATTERY IS 85.6kg [190.5 LBS.]
 6. THE LENGTH OF THE UPS INPUT CORD IS 1830 mm [72 INCHES].

THIS DRAWING AND SPECIFICATIONS HEREIN ARE THE PROPERTY OF SCHNEIDER ELECTRIC AND SHALL NOT BE COPIED, REPRODUCED OR USED IN WHOLE OR IN PART, AS THE BASIS FOR THE MANUFACTURE OR SALE OF ITEMS WITHOUT WRITTEN PERMISSION FROM SCHNEIDER ELECTRIC. THIS DRAWING IS BASED UPON LATEST AVAILABLE INFORMATION AND IS SUBJECT TO CHANGE WITHOUT NOTICE.



TITLE: Smart-UPS Online (SRT) w/ TRANSFORMER SRT3000RMXLT-5KTF+SRT96RMBP+RACKMOUNT INPUT: 208VAC, (L1+L2+G), 60Hz 1PH UPS OUTPUT: 208VAC, (L1+L2+G) (2) NEMA L6-20R, (1) NEMA L6-30R TRANSFORMER OUTPUT: 120VAC, (L1+N+G) (12) 5-20R, MAIN MECHANICAL	DWG NO: SRT3000RMXLT-5KTF	REV. 1
PROJECT: DRAWINGS SHEET 3 OF 8	DRAWN: C KRISHNA ENGINEER: SHANE LEE APPROVED: SHANE LEE	01-APR-16 01-APR-16 01-APR-16
		FIRST ANGLE PROJECTION



NOTES:

1. INSTALLATION SHALL COMPLY WITH ALL APPLICABLE NATIONAL AND LOCAL ELECTRICAL REGULATIONS.
2. REFER TO PRODUCT MANUALS FOR ADDITIONAL DETAILS.
3. ALL DIMENSIONS ARE IN MILLIMETERS [INCHES], UNLESS OTHERWISE SPECIFIED.

THIS DRAWING AND SPECIFICATIONS HEREIN ARE THE PROPERTY OF SCHNEIDER ELECTRIC AND SHALL NOT BE COPIED, REPRODUCED OR USED IN WHOLE OR IN PART, AS THE BASIS FOR THE MANUFACTURE OR SALE OF ITEMS WITHOUT WRITTEN PERMISSION FROM SCHNEIDER ELECTRIC. THIS DRAWING IS BASED UPON LATEST AVAILABLE INFORMATION AND IS SUBJECT TO CHANGE WITHOUT NOTICE.

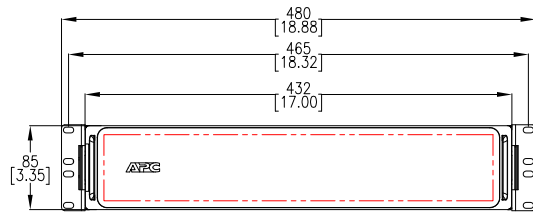


TITLE: Smart-UPS Online (SRT) w/ TRANSFORMER
 SRT3000RMXLT-5KTF+SRT96RMBP+RACKMOUNT
 INPUT: 208VAC, (L1+L2+G), 60Hz 1PH
 UPS OUTPUT: 208VAC, (L1+L2+G) (2) NEMA L6-20R, (1) NEMA L6-30R
 TRANSFORMER OUTPUT: 120VAC, (L+N+G) (12) 5-20R, XEP ISOMETRIC VIEWS

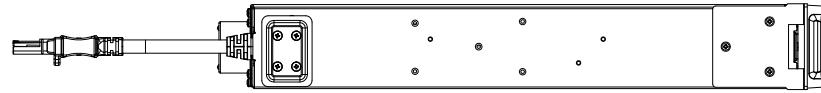
PROJECT: DRAWINGS SHEET 4 OF 8

DWG NO: SRT3000RMXLT-5KTF
 DRAWN: C KRISHNA 01-APR-16
 ENGINEER: SHANE LEE 01-APR-16
 APPROVED: SHANE LEE 01-APR-16

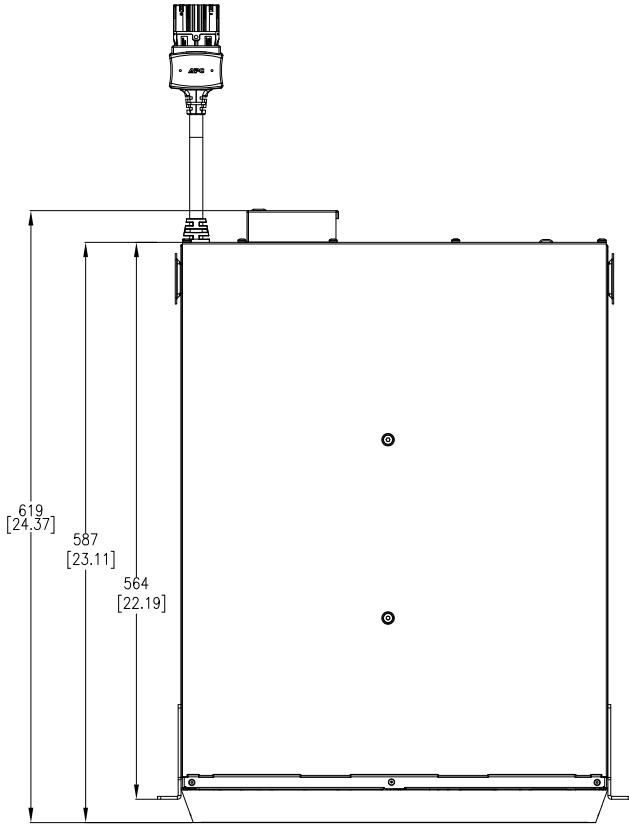
REV. 1
 FIRST ANGLE PROJECTION



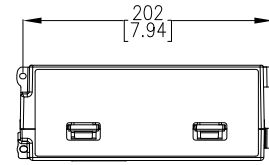
FRONT VIEW



SIDE VIEW



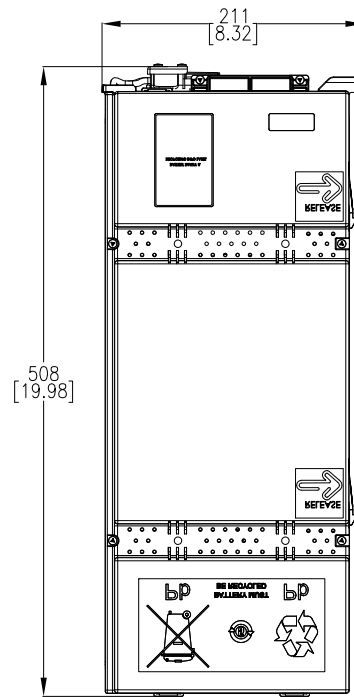
TOP VIEW



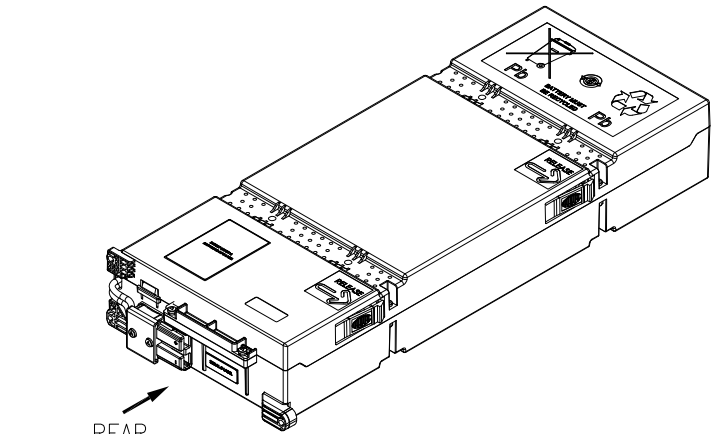
FRONT VIEW



SIDE VIEW



TOP VIEW



REAR ISOMETRIC VIEW

REPLACEMENT BATTERY CARTRIDGE-(APCRBC152)

NOTES:

1. INSTALLATION SHALL COMPLY WITH ALL APPLICABLE NATIONAL AND LOCAL ELECTRICAL REGULATIONS.
2. REFER TO PRODUCT MANUALS FOR ADDITIONAL DETAILS.
3. ALL DIMENSIONS ARE IN MILLIMETERS [INCHES]. UNLESS OTHERWISE SPECIFIED.
4. CABLE ENTRY IS REAR SIDE OF UNIT.
5. WEIGHT OF UNIT IS 40.6kg [89.5 LBS.]
6. THE BATTERY PACK HARNESS LENGTH IS 500 mm [19.7 INCHES]

THIS DRAWING AND SPECIFICATIONS HEREIN ARE THE PROPERTY OF SCHNEIDER ELECTRIC AND SHALL NOT BE COPIED, REPRODUCED OR USED IN WHOLE OR IN PART, AS THE BASIS FOR THE MANUFACTURE OR SALE OF ITEMS WITHOUT WRITTEN PERMISSION FROM SCHNEIDER ELECTRIC. THIS DRAWING IS BASED UPON LATEST AVAILABLE INFORMATION AND IS SUBJECT TO CHANGE WITHOUT NOTICE.

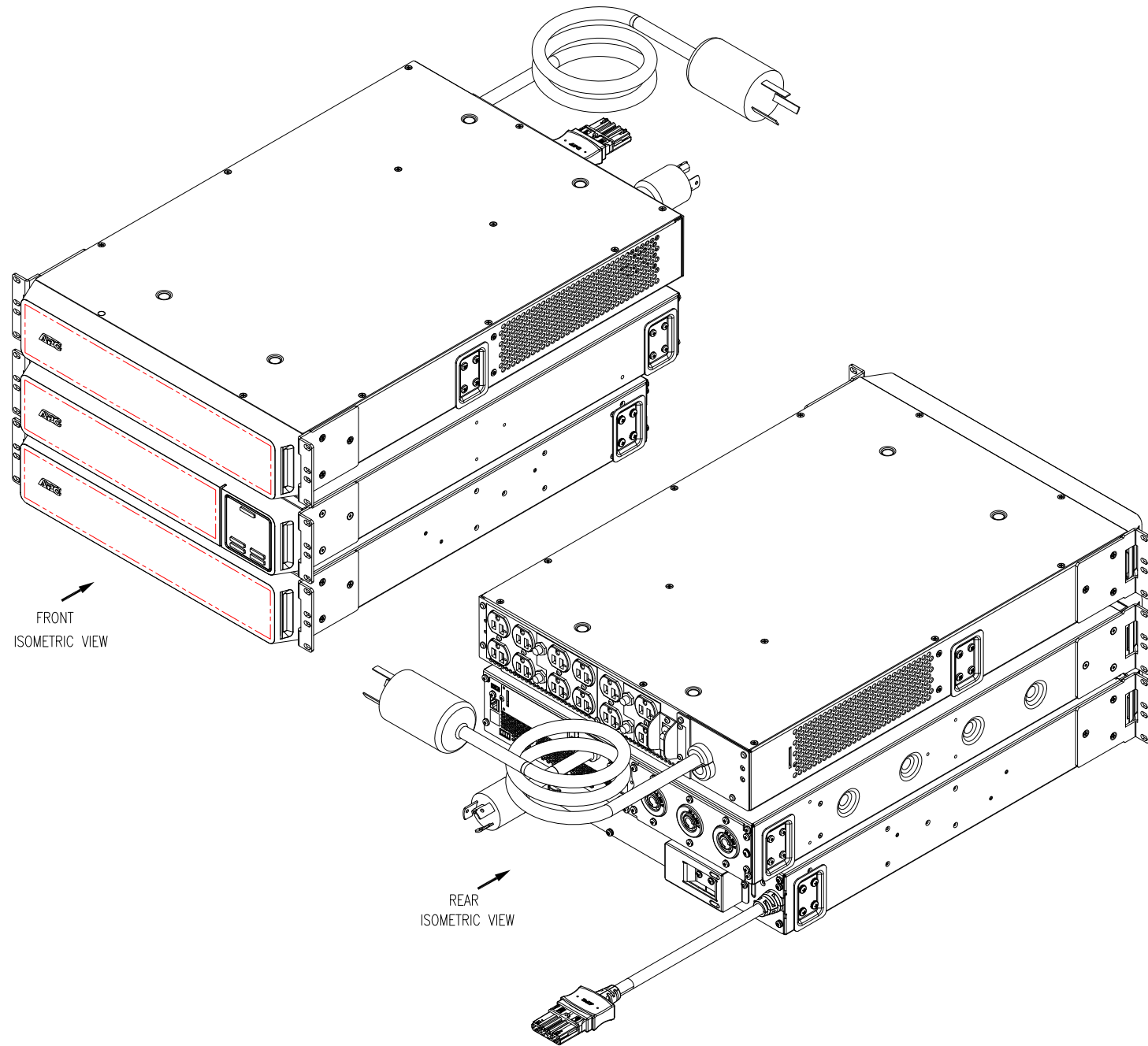


TITLE: Smart-UPS Online (SRT) w/ TRANSFORMER
SRT3000RMXLT-5KTF+SRT96RMBP+RACKMOUNT
INPUT: 208VAC, (L1+L2+G), 60Hz 1PH
UPS OUTPUT: 208VAC, (L1+L2+G) (2) NEMA L6-20R, (1) NEMA L6-30R
XBP MAIN MECHANICAL & REPLACEMENT BATTERY CARTRIDGE-(APCRBC152)

PROJECT: DRAWINGS SHEET 5 OF 8

DWG NO: SRT3000RMXLT-5KTF
DRAWN: C KRISHNA
ENGINEER: SHANE LEE
APPROVED: SHANE LEE

REV. 1
01-APR-16
01-APR-16
01-APR-16
FIRST ANGLE PROJECTION



FRONT
ISOMETRIC VIEW

REAR
ISOMETRIC VIEW

NOTES:

1. INSTALLATION SHALL COMPLY WITH ALL APPLICABLE NATIONAL AND LOCAL ELECTRICAL REGULATIONS.
2. REFER TO PRODUCT MANUALS FOR ADDITIONAL DETAILS.
3. ALL DIMENSIONS ARE IN MILLIMETERS [INCHES], UNLESS OTHERWISE SPECIFIED.

THIS DRAWING AND SPECIFICATIONS HEREIN ARE THE PROPERTY OF SCHNEIDER ELECTRIC AND SHALL NOT BE COPIED, REPRODUCED OR USED IN WHOLE OR IN PART, AS THE BASIS FOR THE MANUFACTURE OR SALE OF ITEMS WITHOUT WRITTEN PERMISSION FROM SCHNEIDER ELECTRIC. THIS DRAWING IS BASED UPON LATEST AVAILABLE INFORMATION AND IS SUBJECT TO CHANGE WITHOUT NOTICE.



TITLE: Smart-UPS Online (SRT) w/ TRANSFORMER
SRT3000RMXLT-5KTF+SRT96RMBP+RACKMOUNT
INPUT: 208VAC, (L1+L2+G), 60Hz 1PH
UPS OUTPUT: 208VAC, (L1+L2+G) (2) NEMA L6-20R, (1) NEMA L6-30R
TRANSFORMER OUTPUT: 120VAC, (L+N+G) (12) 5-20R, BAYED ISOMETRIC VIEW

PROJECT: DRAWINGS SHEET 6 OF 8

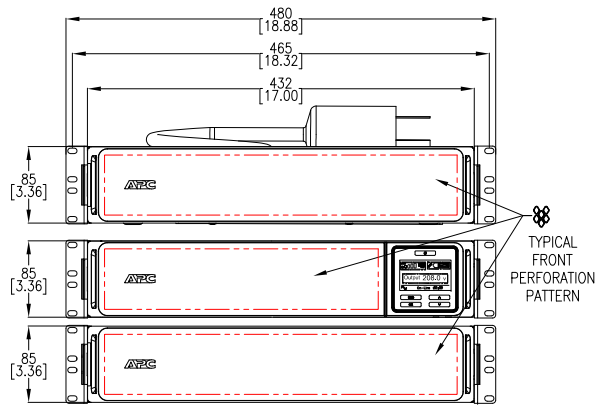
DWG NO: SRT3000RMXLT-5KTF

REV. 1

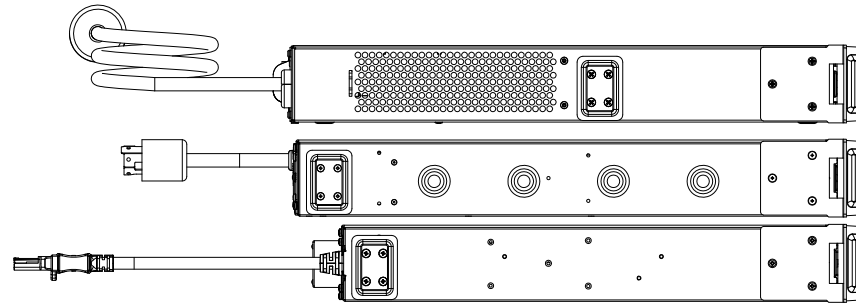
DRAWN: C KRISHNA
ENGINEER: SHANE LEE
APPROVED: SHANE LEE

01-APR-16
01-APR-16
01-APR-16

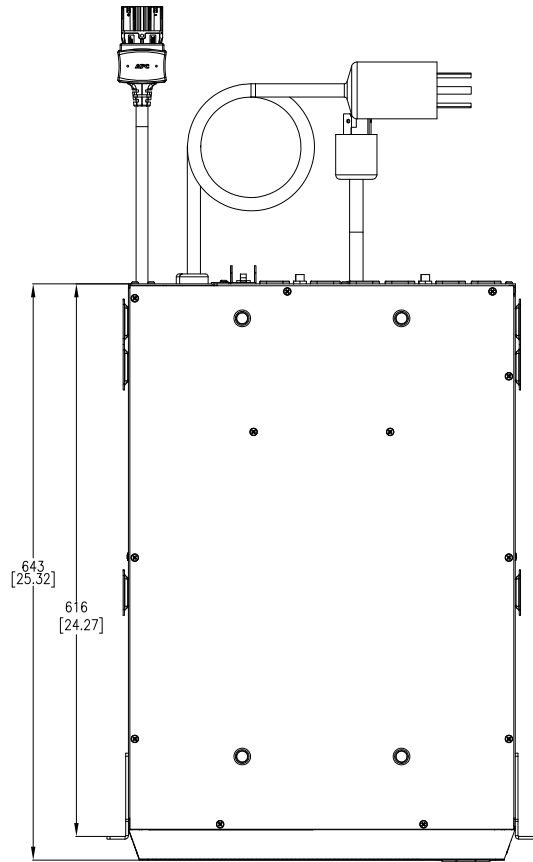
FIRST ANGLE PROJECTION



FRONT VIEW



SIDE VIEW



TOP VIEW

NOTES:

1. INSTALLATION SHALL COMPLY WITH ALL APPLICABLE NATIONAL AND LOCAL ELECTRICAL REGULATIONS.
2. REFER TO PRODUCT MANUALS FOR ADDITIONAL DETAILS.
3. ALL DIMENSIONS ARE IN MILLIMETERS [INCHES]. UNLESS OTHERWISE SPECIFIED.

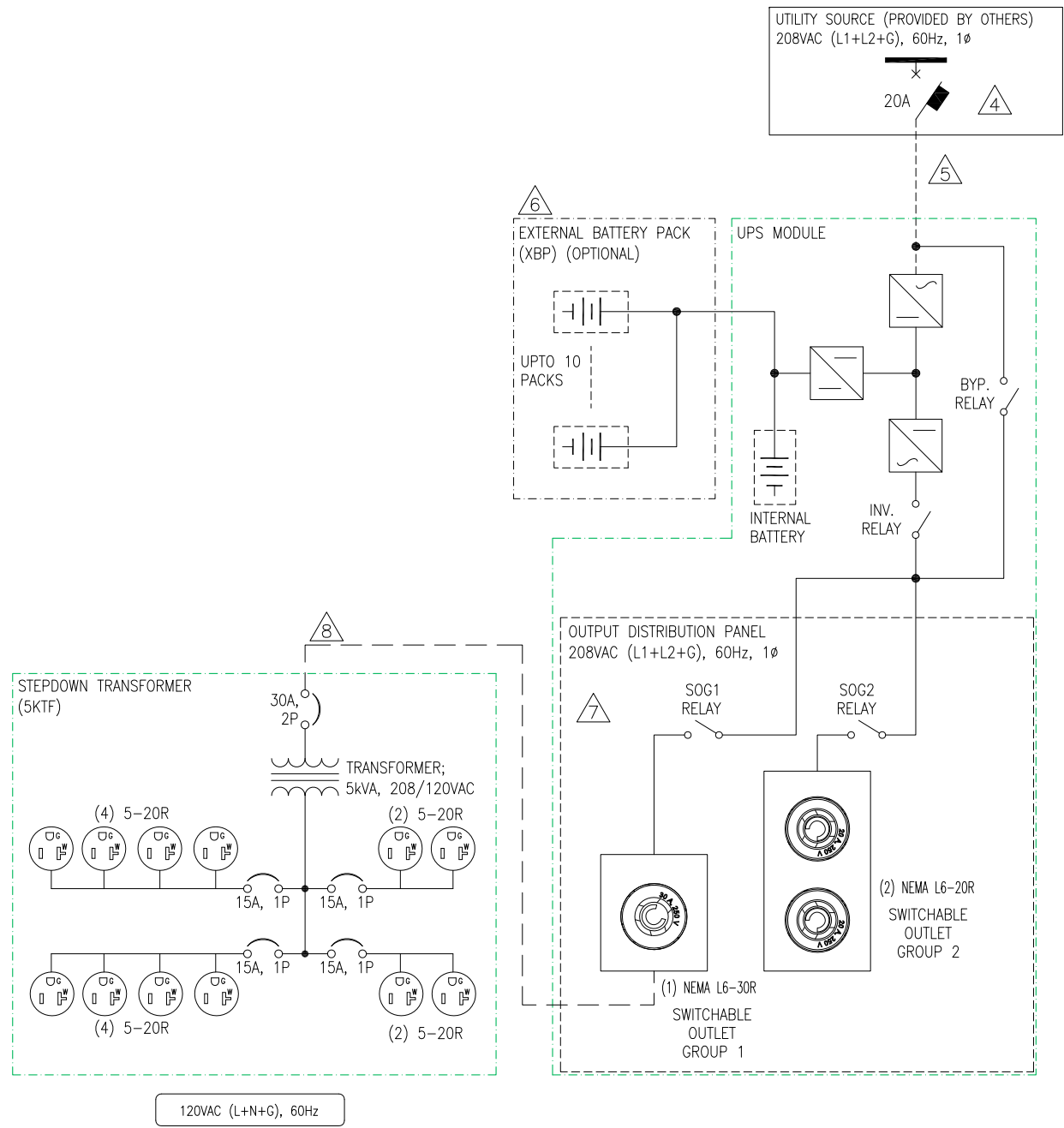
THIS DRAWING AND SPECIFICATIONS HEREIN ARE THE PROPERTY OF SCHNEIDER ELECTRIC AND SHALL NOT BE COPIED, REPRODUCED OR USED IN WHOLE OR IN PART, AS THE BASIS FOR THE MANUFACTURE OR SALE OF ITEMS WITHOUT WRITTEN PERMISSION FROM SCHNEIDER ELECTRIC. THIS DRAWING IS BASED UPON LATEST AVAILABLE INFORMATION AND IS SUBJECT TO CHANGE WITHOUT NOTICE.



TITLE: Smart-UPS Online (SRT) w/ TRANSFORMER
SRT3000RMXLT-5KTF+SRT96RMBP+RACKMOUNT
INPUT: 208VAC, (L1+L2+G), 60Hz 1PH
UPS OUTPUT: 208VAC, (L1+L2+G) (2) NEMA L6-20R, (1) NEMA L6-30R
TRANSFORMER OUTPUT: 120VAC, (L+N+G) (12) 5-20R, BAYED ISOMETRIC VIEW
PROJECT: DRAWINGS SHEET 7 OF 8

DWG NO: SRT3000RMXLT-5KTF
DRAWN: C KRISHNA 01-APR-16
ENGINEER: SHANE LEE 01-APR-16
APPROVED: SHANE LEE 01-APR-16

REV. 1
FIRST ANGLE PROJECTION



NOTES:

1. INSTALLATION MUST COMPLY WITH ALL APPLICABLE NATIONAL, STATE AND LOCAL CODES.
2. REFER TO PRODUCT DOCUMENTATION FOR ADDITIONAL DETAILS PRIOR TO INSTALLATION AND SITE PREPARATION WORK.
3. DRAWING DEPICTS POWER SYSTEM CONNECTIONS AND IS NOT REPRESENTATIVE OF PHYSICAL LAYOUT. PLEASE REFER TO MECHANICAL DRAWINGS FOR MORE SPECIFIC PHYSICAL DATA.
4. UTILITY SOURCE MUST BE NOMINAL 208VAC (L1+L2+G), 60Hz, 1 ϕ , PROVIDED BY OTHERS.
5. INPUT LINE BETWEEN UTILITY SOURCE AND THE UNIT REPRESENTS L6-20P INPUT CORD SET PROVIDED WITH THE UNIT. .
6. ADDITIONAL EXTERNAL BATTERY PACKS (UP TO 10), CAN BE CONNECTED TO INCREASE THE RUN TIME FURTHER.
7. OUTPUT DISTRIBUTION PANEL CONTAINS SWITCHABLE OUTPUT GROUPS. REFER TO INSTALLATION MANUAL FOR DETAILED INSTRUCTIONS.
8. DASHED LINE BETWEEN UPS AND STE-DOWN TRANSFORMER (----) REPRESENTS POWER CORD (WITH L6-30P TWIST-LOCK) PROVIDED BY SCHNEIDER ELECTRIC.

THIS DRAWING AND SPECIFICATIONS HEREIN ARE THE PROPERTY OF SCHNEIDER ELECTRIC AND SHALL NOT BE COPIED, REPRODUCED OR USED IN WHOLE OR IN PART, AS THE BASIS FOR THE MANUFACTURE OR SALE OF ITEMS WITHOUT WRITTEN PERMISSION FROM SCHNEIDER ELECTRIC. THIS DRAWING IS BASED UPON LATEST AVAILABLE INFORMATION AND IS SUBJECT TO CHANGE WITHOUT NOTICE.



TITLE: Smart-UPS Online (SRT) w/ TRANSFORMER
 SRT3000RMXLT-5KTF+SRT96RMBP+RACKMOUNT
 INPUT: 208VAC, (L1+L2+G), 60Hz 1PH
 UPS OUTPUT: 208VAC, (L1+L2+G) (2) NEMA L6-20R, (1) NEMA L6-30R
 TRANSFORMER OUTPUT: 120VAC, (L+N+G) (12) 5-20R, SYSTEM ONE LINE DIAGRAM

DWG NO: SRT3000RMXLT-5KTF
DRAWN: C KRISHNA 01-APR-16
ENGINEER: WILSON CHEN 01-APR-16
APPROVED: WILSON CHEN 01-APR-16

REV. 1
ANGLE PROJECTION