
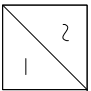
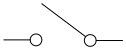
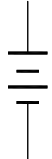

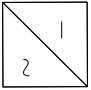


## Smart-UPS On-Line

Sheet No.	Component /Detail	Description
1	Draw ing Guide	Smart-UPS-Online SRT3000RMXL T+SRT96RMBP 208/240V
2	Isometric View	Smart-UPS-Online SRT3000RMXL T+SRT96RMBP 208/240V
3	Main Mechanical	Smart-UPS-Online SRT3000RMXL T+SRT96RMBP 208/240V
4	XBP Isometric View	Smart-UPS-Online SRT3000RMXL T+SRT96RMBP 208/240V
5	XBP Main Mechanical	Smart-UPS-Online SRT3000RMXL T+SRT96RMBP 208/240V
6	Bayed Isometric View	Smart-UPS-Online SRT3000RMXL T+SRT96RMBP 208/240V
7	Bayed Main Mechanical	Smart-UPS-Online SRT3000RMXL T+SRT96RMBP 208/240V
8	System One Line Diagram	Smart-UPS-Online SRT3000RMXL T+SRT96RMBP 208/240V

LEGEND			
SYMBOL	DESCRIPTION	SYMBOL	DESCRIPTION
	CIRCUIT BREAKER		CONVERTER
	RELAY		BATTERY
	TERMINAL		INVERTER

THIS DRAWING AND SPECIFICATIONS HEREIN ARE THE PROPERTY OF SCHNEIDER ELECTRIC AND SHALL NOT BE COPIED, REPRODUCED OR USED IN WHOLE OR IN PART, AS THE BASIS FOR THE MANUFACTURE OR SALE OF ITEMS WITHOUT WRITTEN PERMISSION FROM SCHNEIDER ELECTRIC. THIS DRAWING IS BASED UPON LATEST AVAILABLE INFORMATION AND IS SUBJECT TO CHANGE WITHOUT NOTICE.



TITLE: Smart-UPS On-Line (SRT)  
SRT3000RMXL T+SRT96RMBP - RACK MOUNT  
INPUT: 208/240VAC (L1+L2+G), 50/60Hz, 1φ  
OUTPUT: 208/240V, (2)NEMA L6-20R, (1)NEMA L6-30R  
DRAWING GUIDE

PROJECT: DRAWINGS SHEET 1 OF 8

DWG NO: SRT3000RMXL T+SRT96RMBP

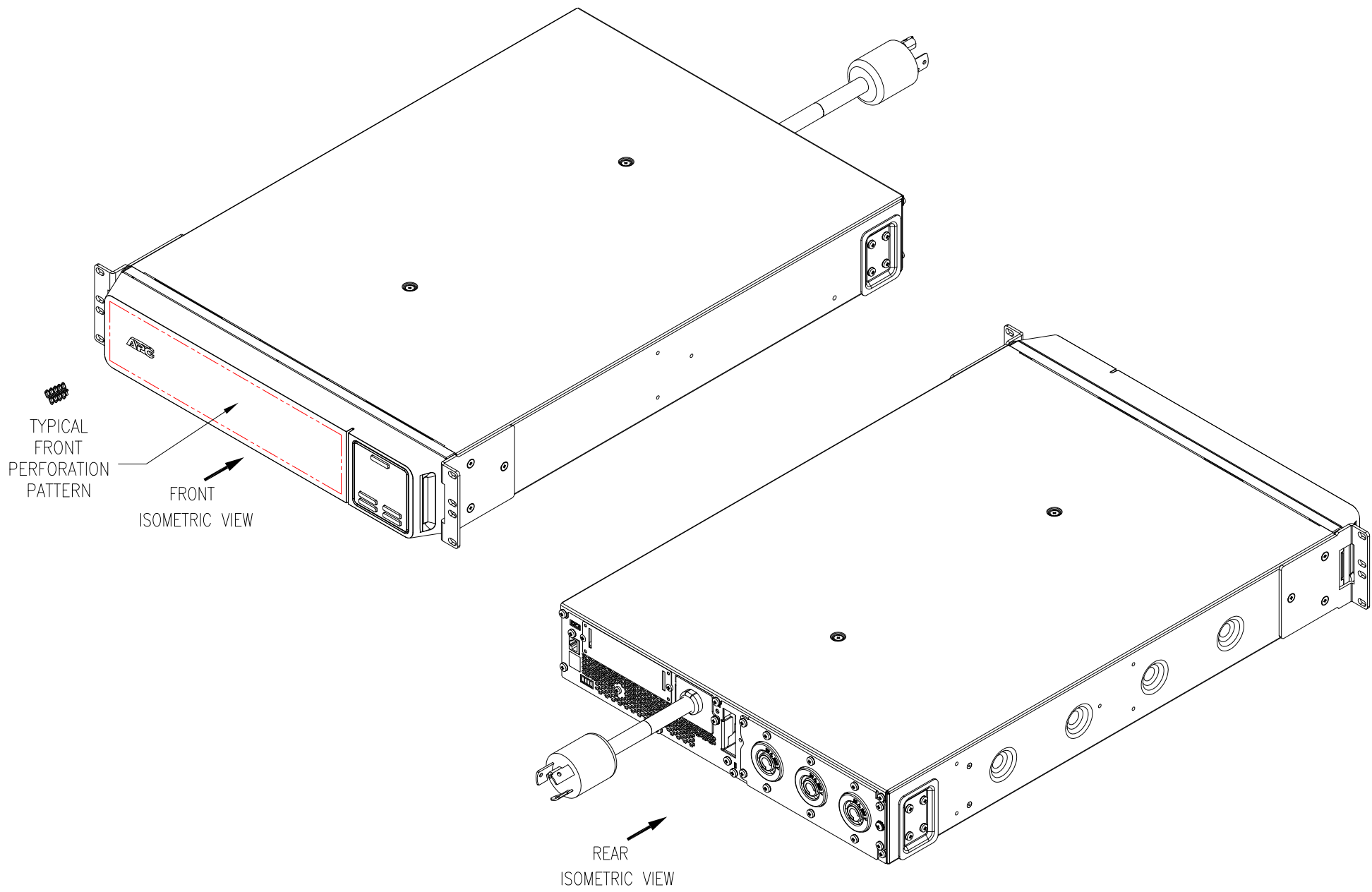
DRAWN: C KRISHNA 04-NOV-15

ENGINEER: SHANE LEE/WILSON CHEN 04-NOV-15

APPROVED: SHANE LEE/WILSON CHEN 04-NOV-15

REV. 0

FIRST ANGLE PROJECTION



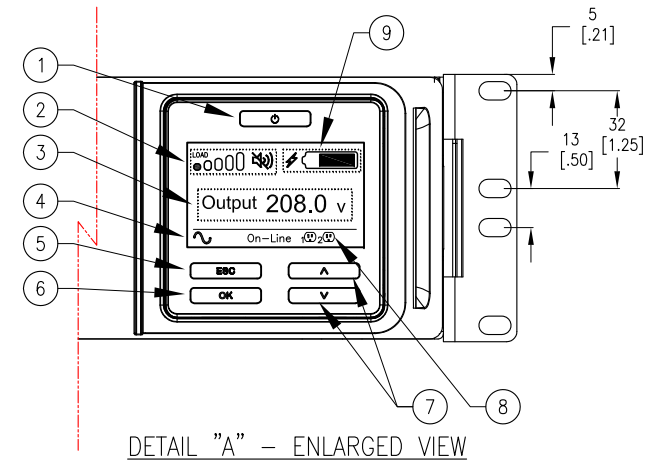
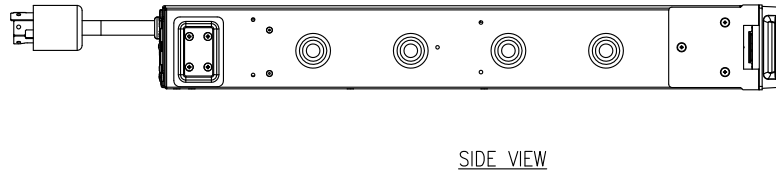
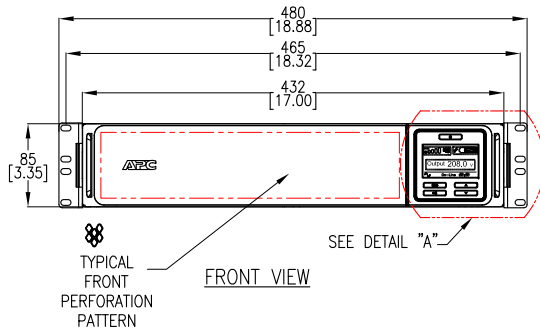
NOTES:  
 1. INSTALLATION SHALL COMPLY WITH ALL APPLICABLE NATIONAL AND LOCAL ELECTRICAL REGULATIONS.  
 2. REFER TO PRODUCT MANUALS FOR ADDITIONAL DETAILS.

THIS DRAWING AND SPECIFICATIONS HEREIN ARE THE PROPERTY OF SCHNEIDER ELECTRIC AND SHALL NOT BE COPIED, REPRODUCED OR USED IN WHOLE OR IN PART, AS THE BASIS FOR THE MANUFACTURE OR SALE OF ITEMS WITHOUT WRITTEN PERMISSION FROM SCHNEIDER ELECTRIC. THIS DRAWING IS BASED UPON LATEST AVAILABLE INFORMATION AND IS SUBJECT TO CHANGE WITHOUT NOTICE.



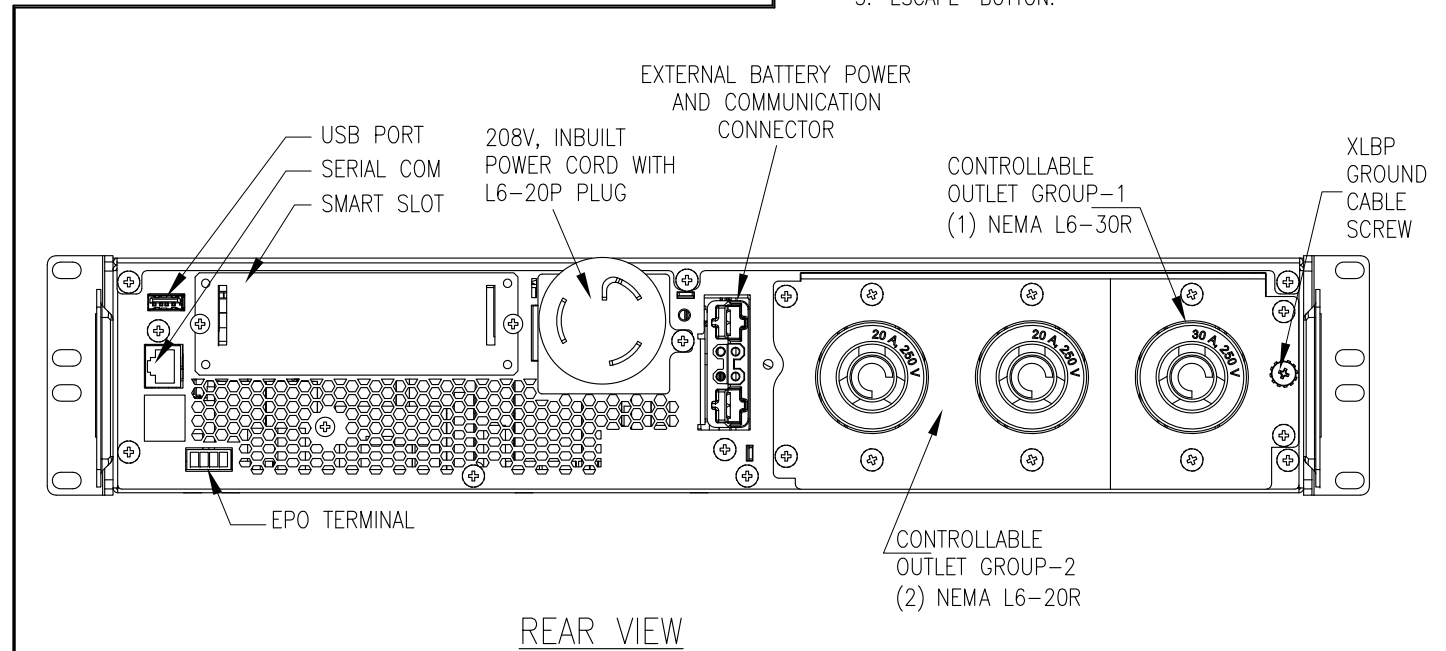
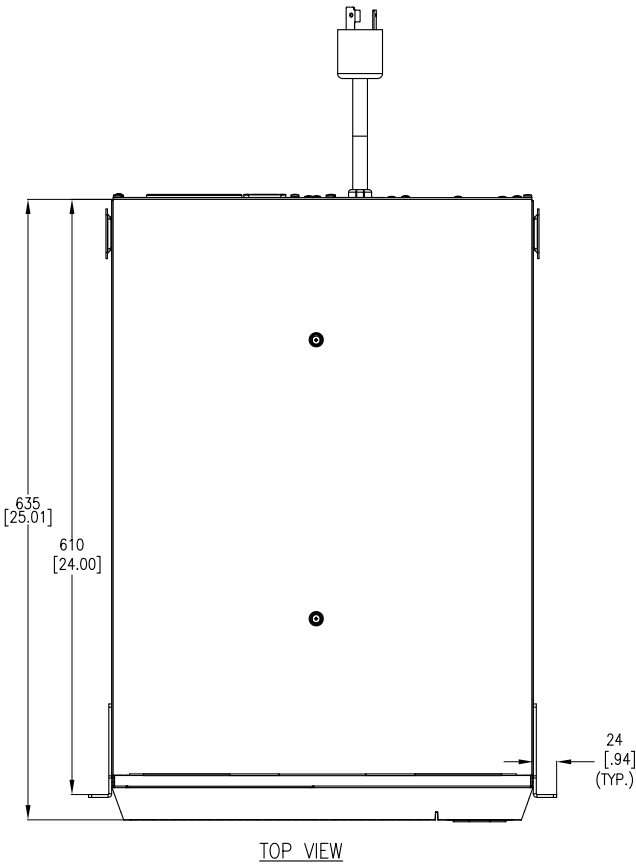
TITLE: Smart-UPS On-Line (SRT)  
 SRT3000RMXLT+SRT96RMBP - RACK MOUNT  
 INPUT: 208/240VAC (L1+L2+G), 50/60Hz, 1φ  
 OUTPUT: 208/240V, (2)NEMA L6-20R, (1)NEMA L6-30R  
 ISOMETRIC VIEWS  
 PROJECT: DRAWINGS SHEET 2 OF 8

DWG NO:	SRT3000RMXLT+SRT96RMBP	REV:	0
DRAWN:	C KRISHNA	DATE:	04-NOV-15
ENGINEER:	SHANE LEE	DATE:	04-NOV-15
APPROVED:	SHANE LEE	DATE:	04-NOV-15
			FIRST ANGLE PROJECTION



DISPLAY INTERFACE:

1. POWER "ON/OFF" BUTTON.
2. LOAD ICON, DISABLE/ MUTE AUDIBLE ALARM ICON.
3. UPS STATUS INFORMATION.
4. OPERATION MODE ICONS.
5. "ESCAPE" BUTTON.
6. "OK" BUTTON.
7. "UP/DOWN" BUTTONS.
8. CONTROLLABLE OUTLET GROUP STATUS ICONS.
9. BATTERY STATUS ICONS.

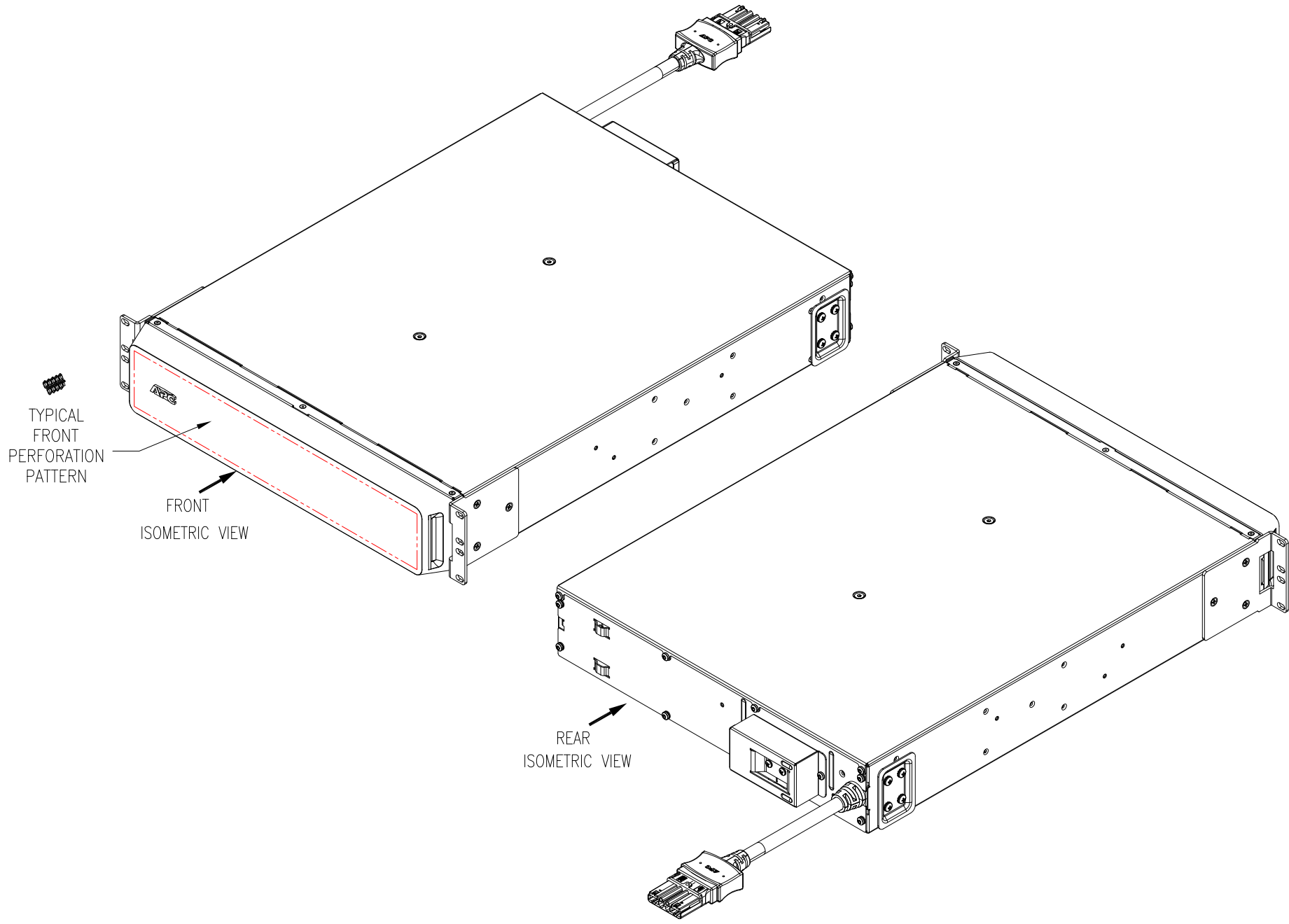


- NOTES:
1. INSTALLATION SHALL COMPLY WITH ALL APPLICABLE NATIONAL AND LOCAL ELECTRICAL REGULATIONS.
  2. REFER TO PRODUCT MANUALS FOR ADDITIONAL DETAILS.
  3. ALL DIMENSIONS ARE IN MILLIMETERS [INCHES]. UNLESS OTHERWISE SPECIFIED.
  4. CABLE ENTRY IS REAR SIDE OF UNIT.
  5. WEIGHT OF UNIT WITHOUT BATTERY IS 15kg [33] LBS AND WITH BATTERY IS 31kg [69] LBS.
  6. THE LENGTH OF THE INPUT CORD IS 1830 mm [72 INCHES].

THIS DRAWING AND SPECIFICATIONS HEREIN ARE THE PROPERTY OF SCHNEIDER ELECTRIC AND SHALL NOT BE COPIED, REPRODUCED OR USED IN WHOLE OR IN PART, AS THE BASIS FOR THE MANUFACTURE OR SALE OF ITEMS WITHOUT WRITTEN PERMISSION FROM SCHNEIDER ELECTRIC. THIS DRAWING IS BASED UPON LATEST AVAILABLE INFORMATION AND IS SUBJECT TO CHANGE WITHOUT NOTICE.



TITLE:	Smart-UPS On-Line (SRT) SRT3000RMXL1+SRT96RMBP - RACK MOUNT INPUT: 208/240VAC (L1+L2+G), 50/60Hz, 1φ OUTPUT: 208/240V, (2)NEMA L6-20R, (1)NEMA L6-30R MAIN MECHANICAL	DWG NO:	SRT3000RMXL1+SRT96RMBP	REV:	1
PROJECT:	DRAWINGS	SHEET	3 OF 8	DRAWN:	JAYAPRAKASH 15-OCT-20
				ENGINEER:	M LIPARE 15-OCT-20
				APPROVED:	M LIPARE 15-OCT-20
					FIRST ANGLE PROJECTION



- NOTES:
1. INSTALLATION SHALL COMPLY WITH ALL APPLICABLE NATIONAL AND LOCAL ELECTRICAL REGULATIONS.
  2. REFER TO PRODUCT MANUALS FOR ADDITIONAL DETAILS.
  3. ALL DIMENSIONS ARE IN MILLIMETERS [INCHES], UNLESS OTHERWISE SPECIFIED.

THIS DRAWING AND SPECIFICATIONS HEREIN ARE THE PROPERTY OF SCHNEIDER ELECTRIC AND SHALL NOT BE COPIED, REPRODUCED OR USED IN WHOLE OR IN PART, AS THE BASIS FOR THE MANUFACTURE OR SALE OF ITEMS WITHOUT WRITTEN PERMISSION FROM SCHNEIDER ELECTRIC. THIS DRAWING IS BASED UPON LATEST AVAILABLE INFORMATION AND IS SUBJECT TO CHANGE WITHOUT NOTICE.



TITLE: Smart-UPS On-Line (SRT)  
 SRT3000RMXL+ SRT96RMBP - RACK MOUNT  
 INPUT: 208/240VAC (L1+L2+G), 50/60Hz, 1φ  
 OUTPUT: 208/240V, (2)NEMA L6-20R, (1)NEMA L6-30R  
 XBP ISOMETRIC VIEWS

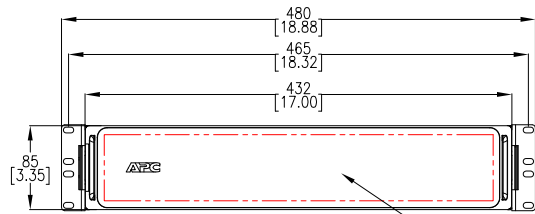
PROJECT: DRAWINGS SHEET 4 OF 8

DWG NO: SRT3000RMXL+SRT96RMBP

DRAWN:	C KRISHNA	04-NOV-15
ENGINEER:	SHANE LEE	04-NOV-15
APPROVED:	SHANE LEE	04-NOV-15

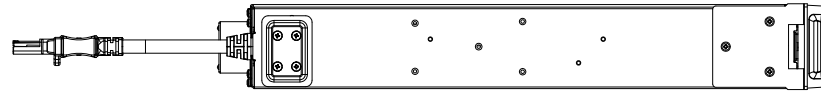
REV. 0

FIRST ANGLE PROJECTION

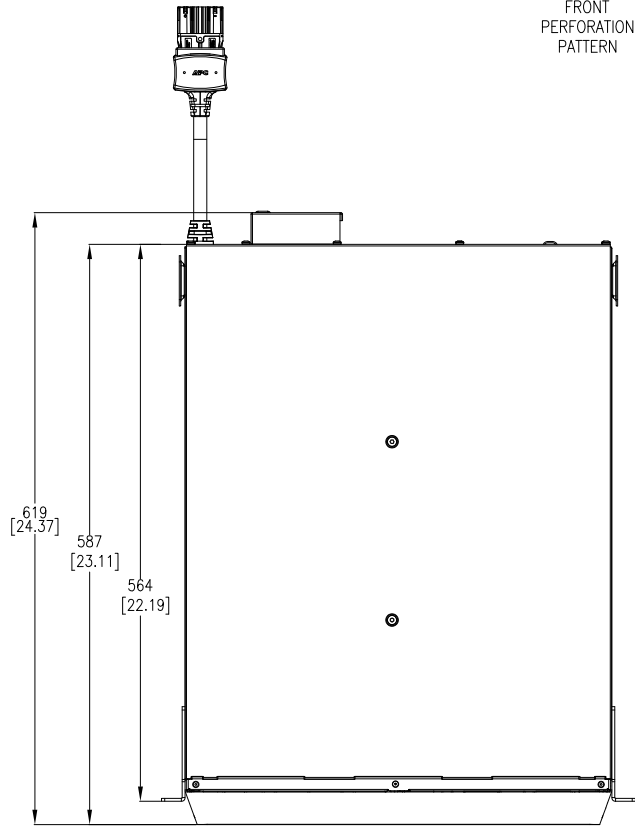


FRONT VIEW

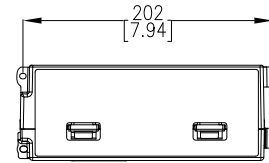
TYPICAL FRONT PERFORATION PATTERN



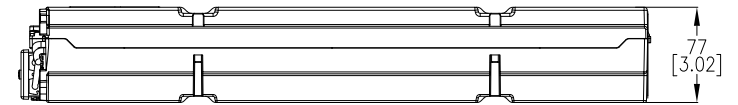
SIDE VIEW



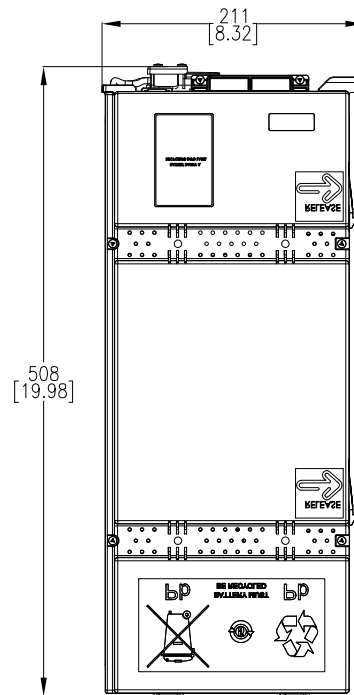
TOP VIEW



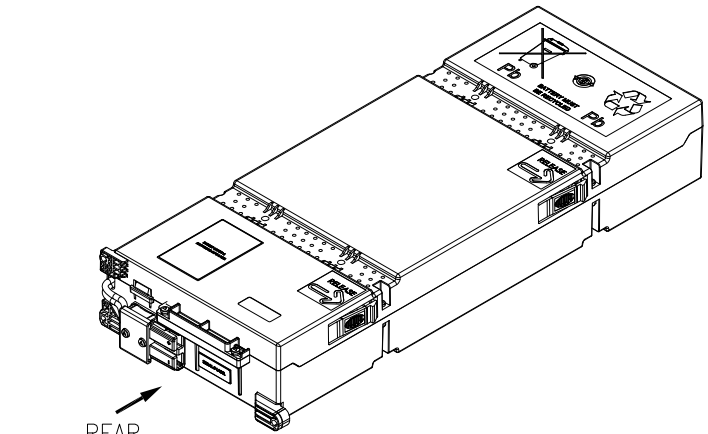
FRONT VIEW



SIDE VIEW



TOP VIEW



REAR ISOMETRIC VIEW

REPLACEMENT BATTERY CARTRIDGE-(APCRBC152)

- NOTES:
1. INSTALLATION SHALL COMPLY WITH ALL APPLICABLE NATIONAL AND LOCAL ELECTRICAL REGULATIONS.
  2. REFER TO PRODUCT MANUALS FOR ADDITIONAL DETAILS.
  3. ALL DIMENSIONS ARE IN MILLIMETERS [INCHES], UNLESS OTHERWISE SPECIFIED.
  4. CABLE ENTRY IS REAR SIDE OF UNIT.
  5. WEIGHT OF UNIT IS 40.6kg [89.5] LBS.
  6. THE BATTERY PACK HARNESS LENGTH IS 500 mm [19.7 INCHES]

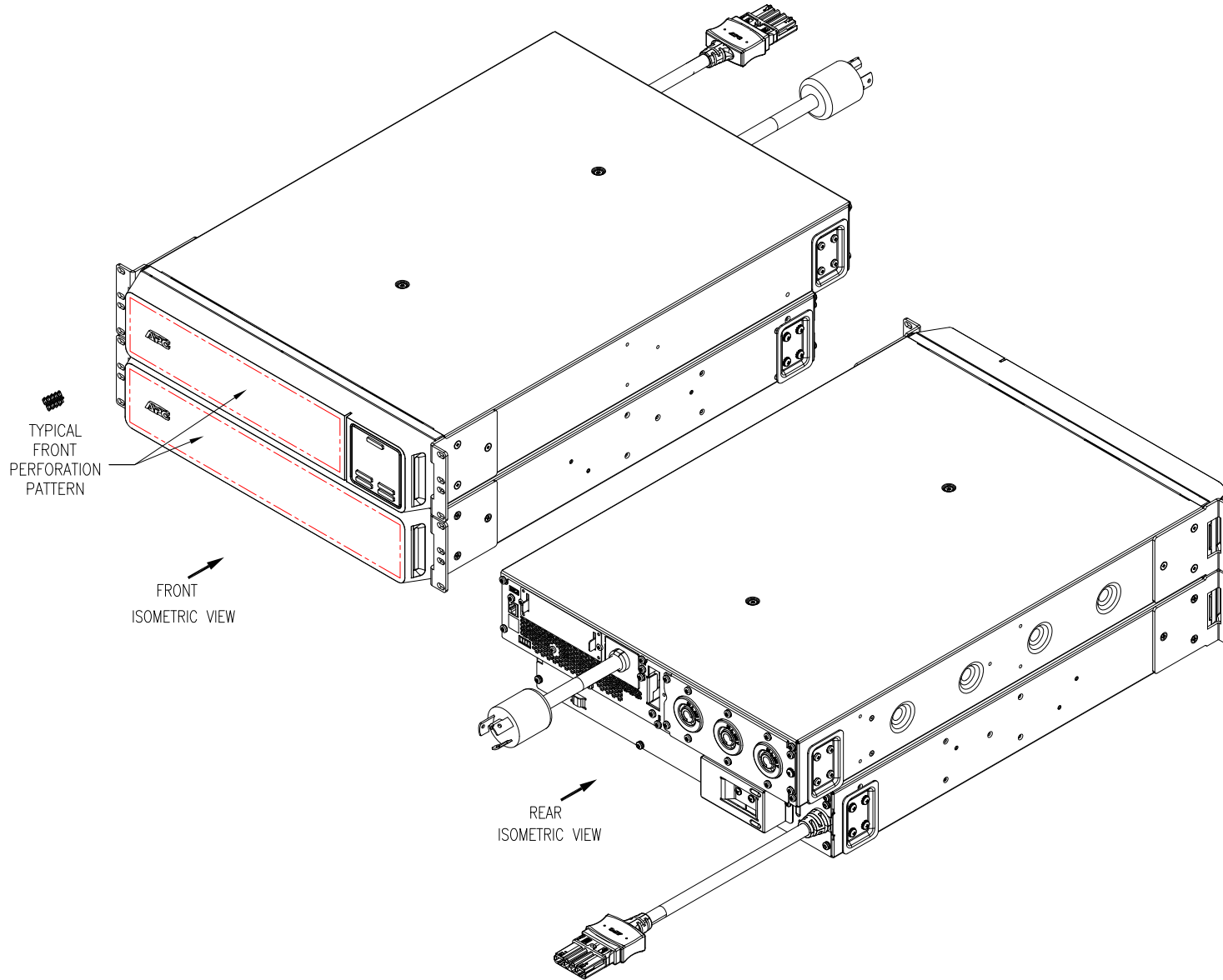
THIS DRAWING AND SPECIFICATIONS HEREIN ARE THE PROPERTY OF SCHNEIDER ELECTRIC AND SHALL NOT BE COPIED, REPRODUCED OR USED IN WHOLE OR IN PART, AS THE BASIS FOR THE MANUFACTURE OR SALE OF ITEMS WITHOUT WRITTEN PERMISSION FROM SCHNEIDER ELECTRIC. THIS DRAWING IS BASED UPON LATEST AVAILABLE INFORMATION AND IS SUBJECT TO CHANGE WITHOUT NOTICE.



TITLE: Smart-UPS On-Line (SRT)  
 SRT3000RMXL1+SRT96RMBP - RACK MOUNT  
 INPUT: 208/240VAC (L1+L2+G), 50/60Hz, 1φ  
 OUTPUT: 208/240V, (2)NEMA L6-20R, (1)NEMA L6-30R  
 XBP MAIN MECHANICAL & REPLACEMENT BATTERY CARTRIDGE-(APCRBC152)  
 PROJECT: DRAWINGS SHEET 5 OF 8

DWG NO: SRT3000RMXL1+SRT96RMBP  
 DRAWN: C KRISHNA  
 ENGINEER: SHANE LEE  
 APPROVED: SHANE LEE

REV: 0  
 04-NOV-15  
 04-NOV-15  
 04-NOV-15  
 FIRST ANGLE PROJECTION



**NOTES:**

1. INSTALLATION SHALL COMPLY WITH ALL APPLICABLE NATIONAL AND LOCAL ELECTRICAL REGULATIONS.
2. REFER TO PRODUCT MANUALS FOR ADDITIONAL DETAILS.
3. ALL DIMENSIONS ARE IN MILLIMETERS [INCHES], UNLESS OTHERWISE SPECIFIED.

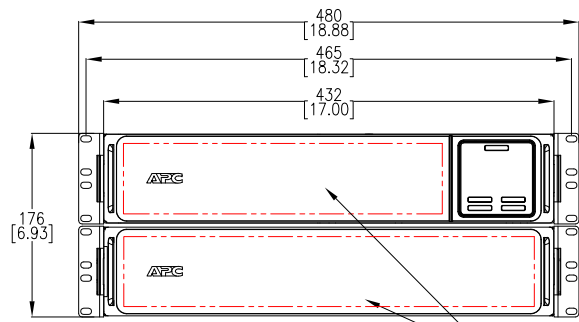
THIS DRAWING AND SPECIFICATIONS HEREIN ARE THE PROPERTY OF SCHNEIDER ELECTRIC AND SHALL NOT BE COPIED, REPRODUCED OR USED IN WHOLE OR IN PART, AS THE BASIS FOR THE MANUFACTURE OR SALE OF ITEMS WITHOUT WRITTEN PERMISSION FROM SCHNEIDER ELECTRIC. THIS DRAWING IS BASED UPON LATEST AVAILABLE INFORMATION AND IS SUBJECT TO CHANGE WITHOUT NOTICE.



TITLE: Smart-UPS On-Line (SRT)  
 SRT3000RMXL+ SRT96RMBP - RACK MOUNT  
 INPUT: 208/240VAC (L1+L2+G), 50/60Hz, 1φ  
 OUTPUT: 208/240V, (2)NEMA L6-20R, (1)NEMA L6-30R  
 BAYED ISOMETRIC VIEWS

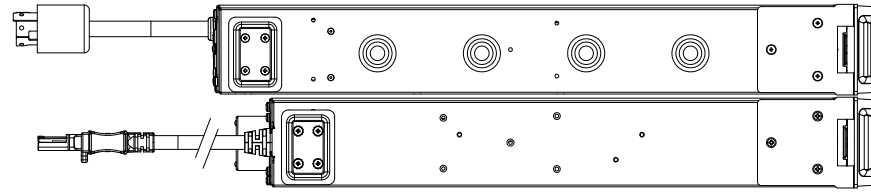
PROJECT: DRAWINGS SHEET 6 OF 8

DWG NO:	SRT3000RMXL+ SRT96RMBP		REV:	0
DRAWN:	C KRISHNA	04-NOV-15	FIRST ANGLE PROJECTION	
ENGINEER:	SHANE LEE	04-NOV-15		
APPROVED:	SHANE LEE	04-NOV-15		

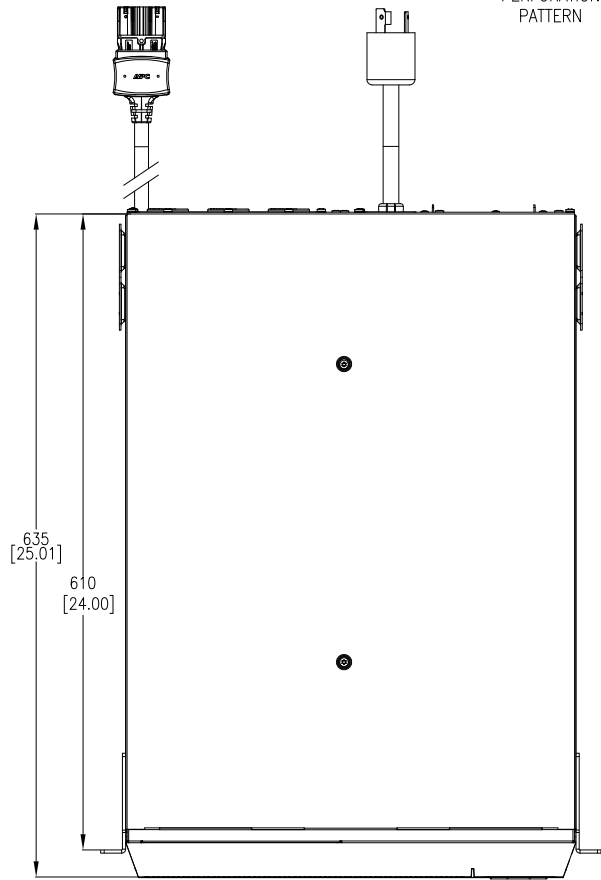


FRONT VIEW

TYPICAL FRONT PERFORATION PATTERN



SIDE VIEW



TOP VIEW

NOTES:

1. INSTALLATION SHALL COMPLY WITH ALL APPLICABLE NATIONAL AND LOCAL ELECTRICAL REGULATIONS.
2. REFER TO PRODUCT MANUALS FOR ADDITIONAL DETAILS.
3. ALL DIMENSIONS ARE IN MILLIMETERS [INCHES]. UNLESS OTHERWISE SPECIFIED.

THIS DRAWING AND SPECIFICATIONS HEREIN ARE THE PROPERTY OF SCHNEIDER ELECTRIC AND SHALL NOT BE COPIED, REPRODUCED OR USED IN WHOLE OR IN PART, AS THE BASIS FOR THE MANUFACTURE OR SALE OF ITEMS WITHOUT WRITTEN PERMISSION FROM SCHNEIDER ELECTRIC. THIS DRAWING IS BASED UPON LATEST AVAILABLE INFORMATION AND IS SUBJECT TO CHANGE WITHOUT NOTICE.



TITLE: Smart-UPS On-Line (SRT)  
 SRT3000RMXL1+SRT96RMBP - RACK MOUNT  
 INPUT: 208/240VAC (L1+L2+G), 50/60Hz, 1φ  
 OUTPUT: 208/240V, (2)NEMA L6-20R, (1)NEMA L6-30R  
 BAYED ISOMETRIC VIEWS

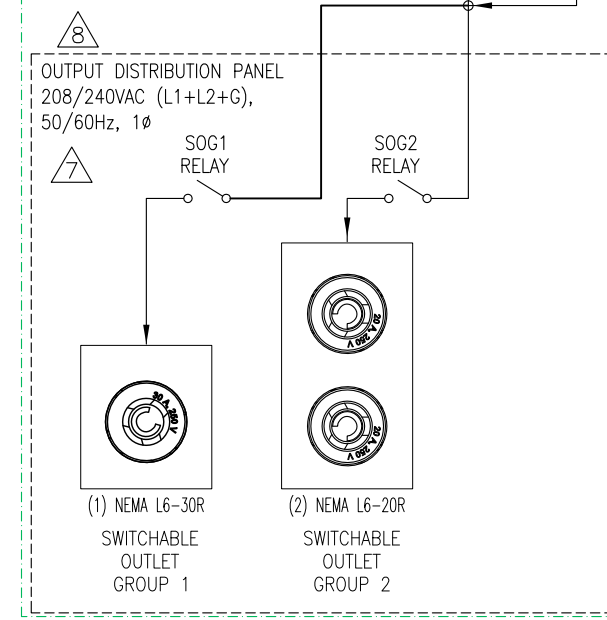
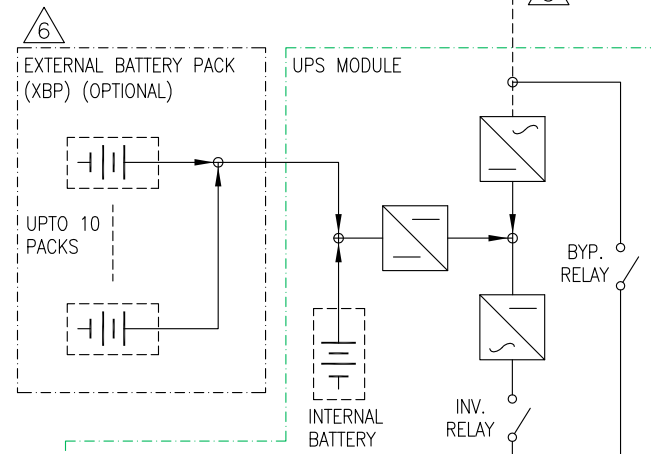
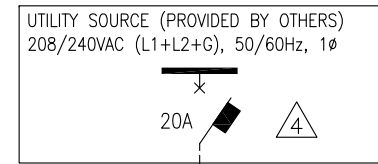
PROJECT: DRAWINGS SHEET 7 OF 8

DWG NO: SRT3000RMXL1+SRT96RMBP

DRAWN:	C KRISHNA	04-NOV-15
ENGINEER:	SHANE LEE	04-NOV-15
APPROVED:	SHANE LEE	04-NOV-15

REV. 0

FIRST ANGLE PROJECTION



OUTPUT 50/60Hz  
208/240 VAC  
(L1+L2+G), 1 $\phi$

**NOTES:**

1. INSTALLATION MUST COMPLY WITH ALL APPLICABLE NATIONAL, STATE AND LOCAL CODES.
2. REFER TO PRODUCT DOCUMENTATION FOR ADDITIONAL DETAILS PRIOR TO INSTALLATION AND SITE PREPARATION WORK.
3. DRAWING DEPICTS POWER SYSTEM CONNECTIONS AND IS NOT REPRESENTATIVE OF PHYSICAL LAYOUT. PLEASE REFER TO MECHANICAL DRAWINGS FOR MORE SPECIFIC PHYSICAL DATA.
- Δ 4. UTILITY SOURCE MUST BE NOMINAL 208/240VAC (L1+L2+G), 50/60Hz, 1 $\phi$ , PROVIDED BY OTHERS.
- Δ 5. INPUT LINE BETWEEN UTILITY SOURCE AND THE UNIT REPRESENTS L6-20P INPUT CORD SET PROVIDED WITH THE UNIT.
- Δ 6. ADDITIONAL EXTERNAL BATTERY PACKS (UP TO 10), CAN BE CONNECTED TO INCREASE THE RUN TIME FURTHER.
- Δ 7. OUTPUT DISTRIBUTION PANEL CONTAINS SWITCHABLE OUTPUT GROUPS. REFER TO INSTALLATION MANUAL FOR DETAILED INSTRUCTIONS.
- Δ 8. OPTIONAL PDU PANELS CAN BE PURCHASED SEPARATELY & INSTALLED TO PROVIDE ALTERNATIVE LOAD CONNECTIONS.
9. INPUT I THD < 5% AT FULL LOAD
10. OUTPUT V THD < 2% LINEAR LOAD, <5% NON LINEAR LOAD
11. OUTPUT POWER-FACTOR IS 0.9 AT FULL LOAD

THIS DRAWING AND SPECIFICATIONS HEREIN ARE THE PROPERTY OF SCHNEIDER ELECTRIC AND SHALL NOT BE COPIED, REPRODUCED OR USED IN WHOLE OR IN PART, AS THE BASIS FOR THE MANUFACTURE OR SALE OF ITEMS WITHOUT WRITTEN PERMISSION FROM SCHNEIDER ELECTRIC. THIS DRAWING IS BASED UPON LATEST AVAILABLE INFORMATION AND IS SUBJECT TO CHANGE WITHOUT NOTICE.



TITLE: Smart-UPS On-Line (SRT)  
SRT3000RMXL1+SRT96RMBP - RACK MOUNT  
INPUT: 208/240VAC (L1+L2+G), 50/60Hz, 1 $\phi$   
OUTPUT: 208/240V, (2)NEMA L6-20R, (1)NEMA L6-30R  
SYSTEM ONE LINE DIAGRAM

DWG NO: SRT3000RMXL1+SRT96RMBP  
DRAWN: JAYAPRAKASH  
ENGINEER: M LIPARE  
APPROVED: M LIPARE

REV. 1  
15-OCT-20  
15-OCT-20  
15-OCT-20  
ANGLE PROJECTION