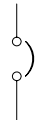


## MODULAR RACK DISTRIBUTION PANEL, 72kW, 200A, 208V, 18 Pole, 5U

Sheet No.	Component /Detail	Description
1	Draw ing Guide	Modular Rack Distribution Panel, 72kW, 200A, 208V, 18 Pole, 5U
2-4	Mechanical Layout	Modular Rack Distribution Panel, 72kW, 200A, 208V, 18 Pole, 5U
5-6	Internal View s	Modular Rack Distribution Panel, 72kW, 200A, 208V, 18 Pole, 5U - Internal view s & User Interface
7-9	System One Line Diagram	Modular Rack Distribution Panel, 72kW, 200A, 208V, 18 Pole, 5U - System One Line Diagram

LEGEND	
SYMBOL	DESCRIPTION
	CIRCUIT BREAKER

THIS DRAWING AND SPECIFICATIONS HEREIN ARE THE PROPERTY OF SCHNEIDER ELECTRIC AND SHALL NOT BE COPIED, REPRODUCED OR USED IN WHOLE OR IN PART, AS THE BASIS FOR THE MANUFACTURE OR SALE OF ITEMS WITHOUT WRITTEN PERMISSION FROM SCHNEIDER ELECTRIC. THIS DRAWING IS BASED UPON LATEST AVAILABLE INFORMATION AND IS SUBJECT TO CHANGE WITHOUT NOTICE.

**Schneider**  
**Electric**

TITLE:  
MODULAR RACK DISTRIBUTION PANEL  
INPUT: 208V/120V 3PH 50-60Hz  
OUTPUT: 72kW, 200A, 208/120V 3 PH  
DRAWING GUIDE

DWG NO: PDPM72F-5U REV. 0

DRAWN BY: JAYAPRAKASH 29-MAR-12 ANGLE

ENGINEER: S.LEE/M.WEISENBLOOM 19-MAR-12 PROJECTION

PROJECT: DRAWINGS SHEET 1 OF 9

APPROVED BY: B.SHERIDAN/E.SILVA 19-MAR-12 N/A

# MODULAR POWER DISTRIBUTION UNIT - SPECIFICATIONS

## 1. AC Input

- 1.1 Nominal voltage : 208V/120V, 3PH, 3W+N+G (provided by others)
- 1.2 Frequency : 50–60Hz
- 1.3 Input Circuit Breaker : 200A
- 1.4 Maximum continuous current : 200A
- 1.5 maximum Input conductor : 250 MCM

## 2. AC Output

- 2.1 Nominal voltage : 208V/120V, 3PH, 3W+N+G  
208V, 3W+G  
120V, 1W+N+G
- 2.2 Maximum continuous current : 200A
- 2.3 Full Load rating : 72kW @ 208V 3PH  
72kW @ 120V 1PH
- 2.4 Power Distribution poles available : 18
- 2.5 Maximum number of PDMs : 6

## 3. ENVIRONMENTS

- 3.1 The assembly is made for an ambient temperature for operation of : 0°C to 40°C.
- 3.2 The assembly is made for an ambient temperature for storage of : 0°C to 45°C.
- 3.3 Rated conditional short-circuit current (Icc) : 10kA

## 4. ENCLOSURE

- 4.1 The assembly material is steel with surface coating.
- 4.2 The assembly is made for Indoor floor Installation.

## 5. CONNECTIONS

- 5.1 Incoming and outgoing cables to be connected to terminals in component section.
- 5.2 Input cable entry is through top of the unit.

### NOTES:

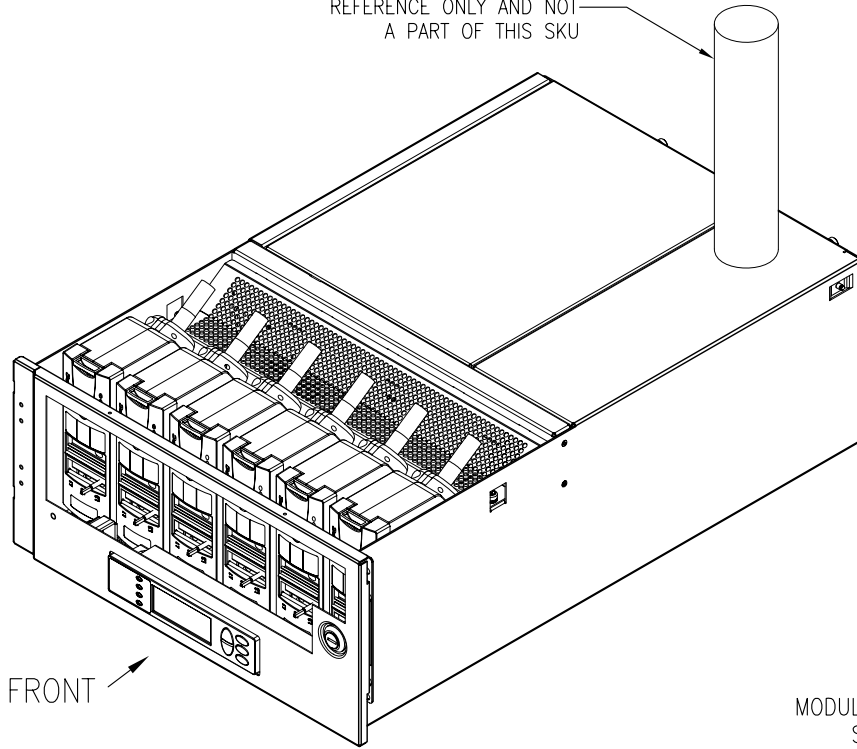
- 1. INSTALLATION SHALL COMPLY WITH ALL APPLICABLE NATIONAL, STATE AND LOCAL CODES.
- 2. PLEASE REFER TO PRODUCT MANUALS PRIOR TO INSTALLATION AND SITE PREPARATION WORK FOR FURTHER DETAILS .

THIS DRAWING AND SPECIFICATIONS HEREIN ARE THE PROPERTY OF SCHNEIDER ELECTRIC AND SHALL NOT BE COPIED, REPRODUCED OR USED IN WHOLE OR IN PART, AS THE BASIS FOR THE MANUFACTURE OR SALE OF ITEMS WITHOUT WRITTEN PERMISSION FROM SCHNEIDER ELECTRIC. THIS DRAWING IS BASED UPON LATEST AVAILABLE INFORMATION AND IS SUBJECT TO CHANGE WITHOUT NOTICE.



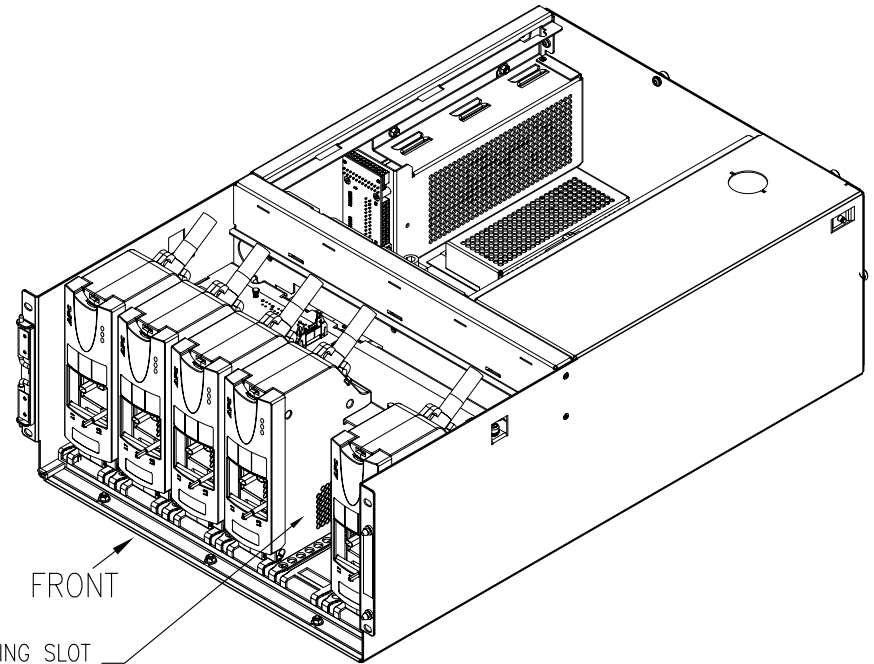
TITLE:	MODULAR RACK DISTRIBUTION PANEL INPUT: 208V/120V 3PH 50–60Hz OUTPUT: 72kW, 200A, 208/120V 3 PH SPECIFICATIONS	DWG NO:	PDPM72F–5U	REV.	0
PROJECT:	DRAWINGS	SHEET	2 OF 9	APPROVED BY:	B.SHERIDAN/E.SILVA
				ENGINEER:	S.LEE/M.WEISENBLOOM
					19–MAR–12
					ANGLE
					PROJECTION
					N/A

CONDUIT IS SHOWN FOR  
REFERENCE ONLY AND NOT  
A PART OF THIS SKU



FRONT

ISOMETRIC VIEW



FRONT

MODULE MOUNTING SLOT  
SHOWN EMPTY FOR  
ILLUSTRATION

ISOMETRIC VIEW  
(INTERNAL)

**NOTES:**

1. INSTALLATION SHALL COMPLY WITH ALL APPLICABLE NATIONAL, STATE AND LOCAL CODES.
2. PLEASE REFER TO PRODUCT MANUALS PRIOR TO INSTALLATION AND SITE PREPARATION WORK FOR FURTHER DETAILS.

THIS DRAWING AND SPECIFICATIONS HEREIN ARE THE PROPERTY OF SCHNEIDER ELECTRIC AND SHALL NOT BE COPIED, REPRODUCED OR USED IN WHOLE OR IN PART, AS THE BASIS FOR THE MANUFACTURE OR SALE OF ITEMS WITHOUT WRITTEN PERMISSION FROM SCHNEIDER ELECTRIC. THIS DRAWING IS BASED UPON LATEST AVAILABLE INFORMATION AND IS SUBJECT TO CHANGE WITHOUT NOTICE.



TITLE:  
MODULAR RACK DISTRIBUTION PANEL  
INPUT: 208V/120V 3PH 50-60Hz  
OUTPUT: 72kW, 200A, 208/120V 3 PH  
ISOMETRIC VIEW

DWG NO: PDPM72F-5U REV. 0

DRAWN BY: JAYAPRAKASH 29-MAR-12

ENGINEER: S.LEE/M.WEISENBLOOM 19-MAR-12

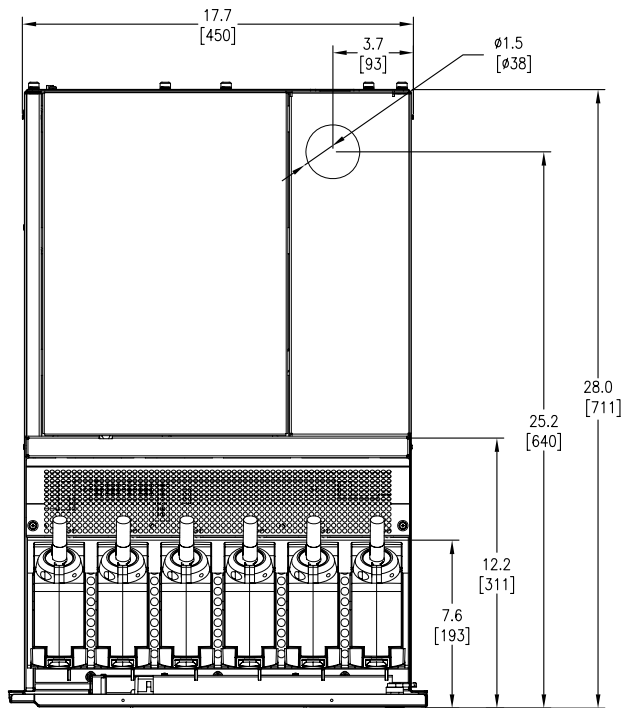
APPROVED BY: B.SHERIDAN/E.SILVA 19-MAR-12

PROJECT: DRAWINGS SHEET 3 OF 9

ANGLE

PROJECTION

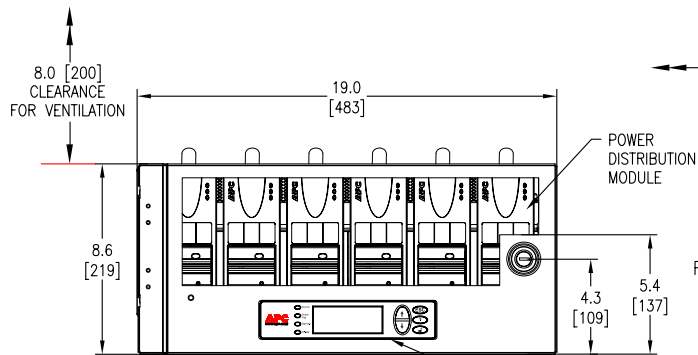
N/A



TOP VIEW

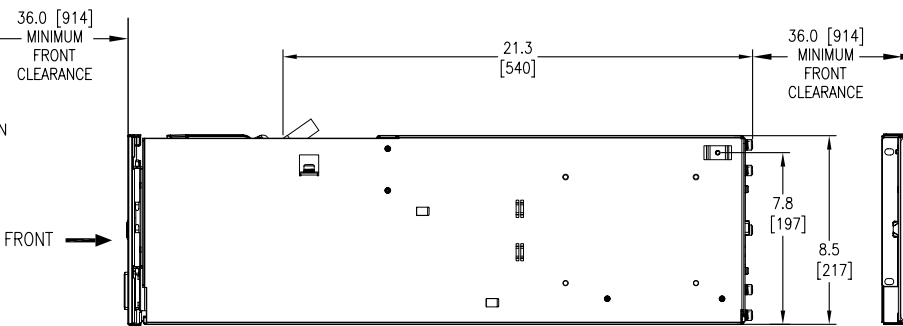
NOTES:

1. INSTALLATION SHALL COMPLY WITH ALL APPLICABLE NATIONAL, STATE AND LOCAL CODES.
2. PLEASE REFER TO PRODUCT MANUALS PRIOR TO INSTALLATION AND SITE PREPARATION WORK FOR FURTHER DETAILS.
3. ALL DIMENSIONS ARE IN INCHES [MILLIMETERS], UNLESS OTHERWISE SPECIFIED.
4. CABLE ENTRY IS FROM TOP OF THE UNIT.
5. FRONT AND REAR SERVICE ACCESS ARE REQUIRED FOR SERVICE.
6. WEIGHT OF THE UNIT IS 66.3 lb [30.14 kg] WITHOUT POWER DISTRIBUTION MODULES.
7. COLOR: BLACK.

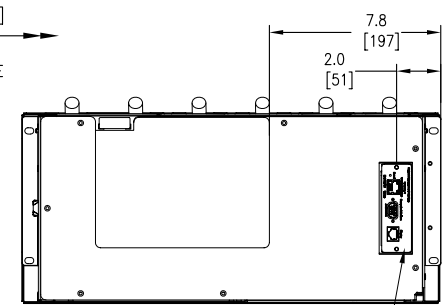


FRONT VIEW

REFER TO  
DETAIL-A ON SHEET-6



SIDE VIEW



REAR VIEW

REFER TO  
DETAIL-B  
ON SHEET-6

THIS DRAWING AND SPECIFICATIONS HEREIN ARE THE PROPERTY OF SCHNEIDER ELECTRIC AND SHALL NOT BE COPIED, REPRODUCED OR USED IN WHOLE OR IN PART, AS THE BASIS FOR THE MANUFACTURE OR SALE OF ITEMS WITHOUT WRITTEN PERMISSION FROM SCHNEIDER ELECTRIC. THIS DRAWING IS BASED UPON LATEST AVAILABLE INFORMATION AND IS SUBJECT TO CHANGE WITHOUT NOTICE.



TITLE:  
MODULAR RACK DISTRIBUTION PANEL  
INPUT: 208V/120V 3PH 50-60Hz  
OUTPUT: 72kW, 200A, 208/120V 3 PH  
GENERAL ARRANGEMENT

DWG NO: PDPM72F-5U REV. 0

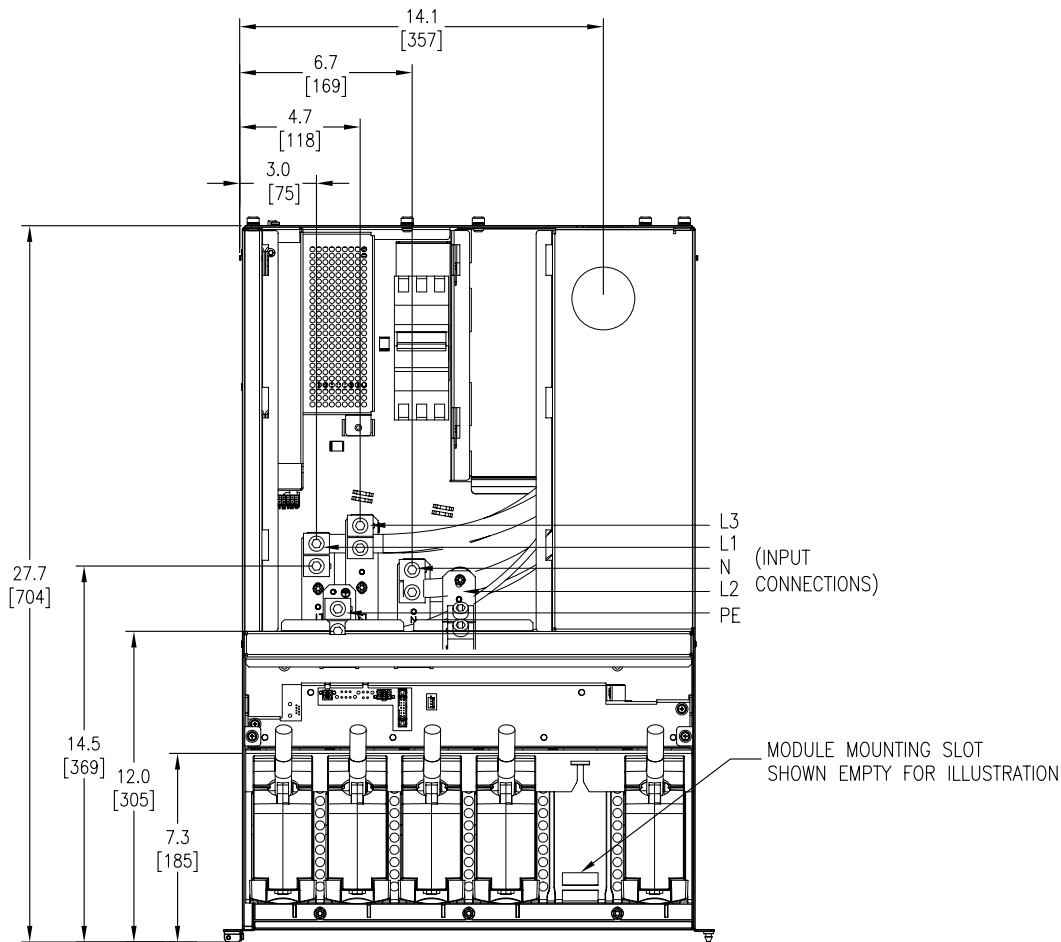
DRAWN BY: JAYAPRAKASH 29-MAR-12

ENGINEER: S.LEE/M.WEISENBLOOM 19-MAR-12

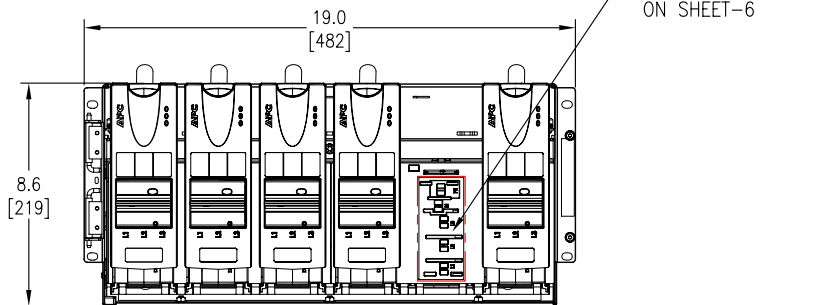
PROJECT: DRAWINGS SHEET 4 OF 9

APPROVED BY: B.SHERIDAN/E.SILVA 19-MAR-12

THIRD  
ANGLE  
PROJECTION

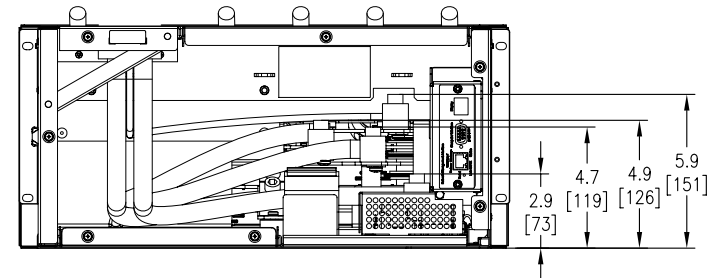


INTERNAL TOP VIEW



INTERNAL FRONT VIEW

- NOTES:
1. INSTALLATION SHALL COMPLY WITH ALL APPLICABLE NATIONAL, STATE AND LOCAL CODES.
  2. PLEASE REFER TO PRODUCT MANUALS PRIOR TO INSTALLATION AND SITE PREPARATION WORK FOR FURTHER DETAILS.
  3. ALL DIMENSIONS ARE IN INCHES [MILLIMETERS], UNLESS OTHERWISE SPECIFIED.
  4. ALL POWER DISTRIBUTION MODULES AND EXTENDER CABLES ARE NOT PART OF THIS SKU AND ARE ORDERED SEPARATELY.
  5. SOME STRUCTURAL DETAILS HAVE BEEN OMITTED FOR THE PURPOSE OF CLARITY.



INTERNAL REAR VIEW

THIS DRAWING AND SPECIFICATIONS HEREIN ARE THE PROPERTY OF SCHNEIDER ELECTRIC AND SHALL NOT BE COPIED, REPRODUCED OR USED IN WHOLE OR IN PART, AS THE BASIS FOR THE MANUFACTURE OR SALE OF ITEMS WITHOUT WRITTEN PERMISSION FROM SCHNEIDER ELECTRIC. THIS DRAWING IS BASED UPON LATEST AVAILABLE INFORMATION AND IS SUBJECT TO CHANGE WITHOUT NOTICE.

**Schneider Electric**

TITLE:  
MODULAR RACK DISTRIBUTION PANEL  
INPUT: 208V/120V 3PH 50-60Hz  
OUTPUT: 72kW, 200A, 208/120V 3 PH  
INTERNAL VIEW

DWG NO: PDPM72F-5U REV. 0

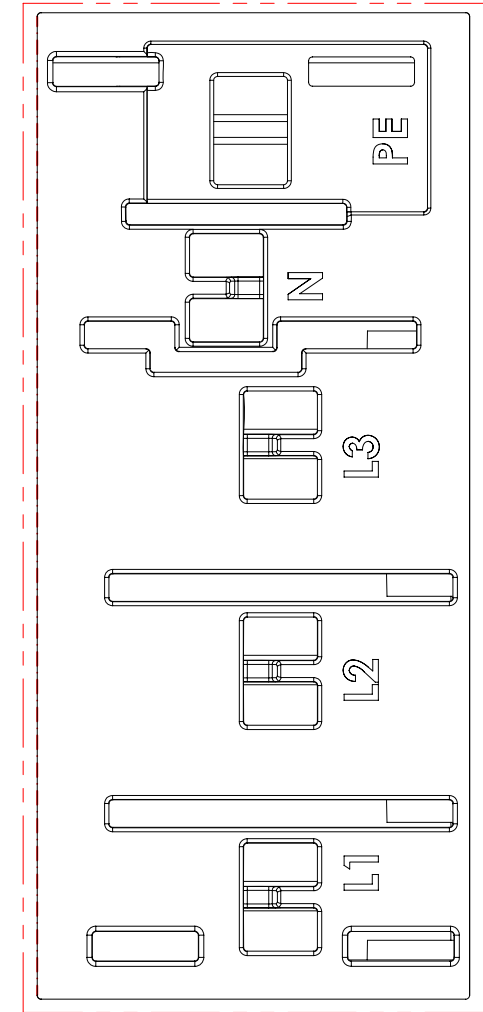
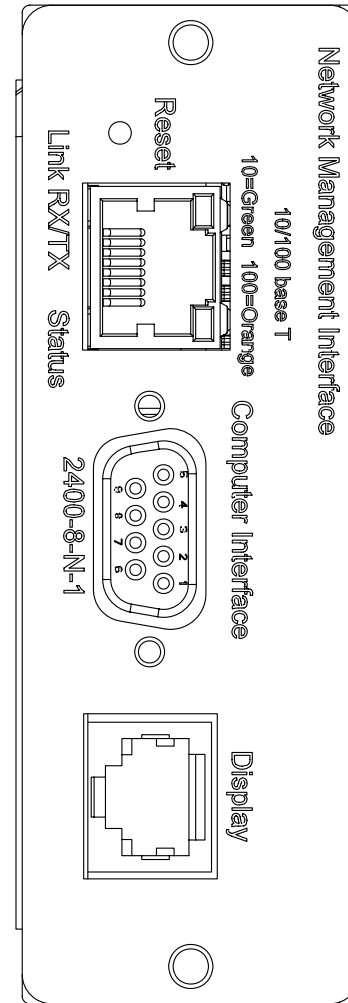
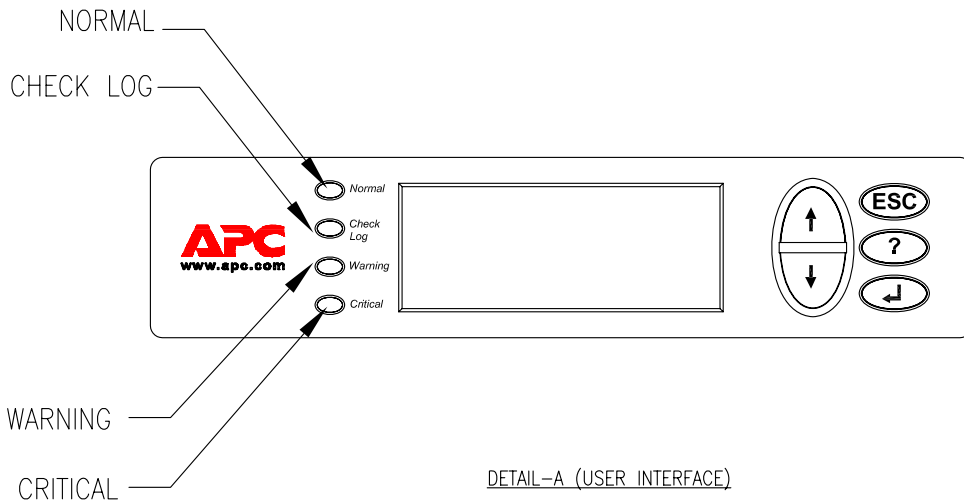
DRAWN BY: JAYAPRAKASH 29-MAR-12

ENGINEER: S.LEE/M.WEISENBLOOM 19-MAR-12

PROJECT: DRAWINGS SHEET 5 OF 9

APPROVED BY: B.SHERIDAN/E.SILVA 19-MAR-12

THIRD ANGLE PROJECTION



**NOTES:**

1. INSTALLATION SHALL COMPLY WITH ALL APPLICABLE NATIONAL, STATE AND LOCAL CODES.
2. PLEASE REFER TO PRODUCT MANUALS PRIOR TO INSTALLATION AND SITE PREPARATION WORK FOR FURTHER DETAILS.

THIS DRAWING AND SPECIFICATIONS HEREIN ARE THE PROPERTY OF SCHNEIDER ELECTRIC AND SHALL NOT BE COPIED, REPRODUCED OR USED IN WHOLE OR IN PART, AS THE BASIS FOR THE MANUFACTURE OR SALE OF ITEMS WITHOUT WRITTEN PERMISSION FROM SCHNEIDER ELECTRIC. THIS DRAWING IS BASED UPON LATEST AVAILABLE INFORMATION AND IS SUBJECT TO CHANGE WITHOUT NOTICE.

**Schneider Electric**

TITLE:  
MODULAR RACK DISTRIBUTION PANEL  
INPUT: 208V/120V 3PH 50-60Hz  
OUTPUT: 72kW, 200A, 208/120V 3 PH  
DETAILS: USER INTERFACE, COMM INTERFACE, BUSBAR

PROJECT: DRAWINGS SHEET 6 OF 9

DWG NO: PDPM72F-5U

DRAWN BY: JAYAPRAKASH 29-MAR-12

ENGINEER: S.LEE/M.WEISENBLOOM 19-MAR-12

APPROVED BY: B.SHERIDAN/E.SILVA 19-MAR-12

REV. 0

THIRD ANGLE PROJECTION

**LEGEND:**  
 - - - - - AC CABLE - PROVIDED BY OTHERS.  
 \_\_\_\_\_ AC BUS

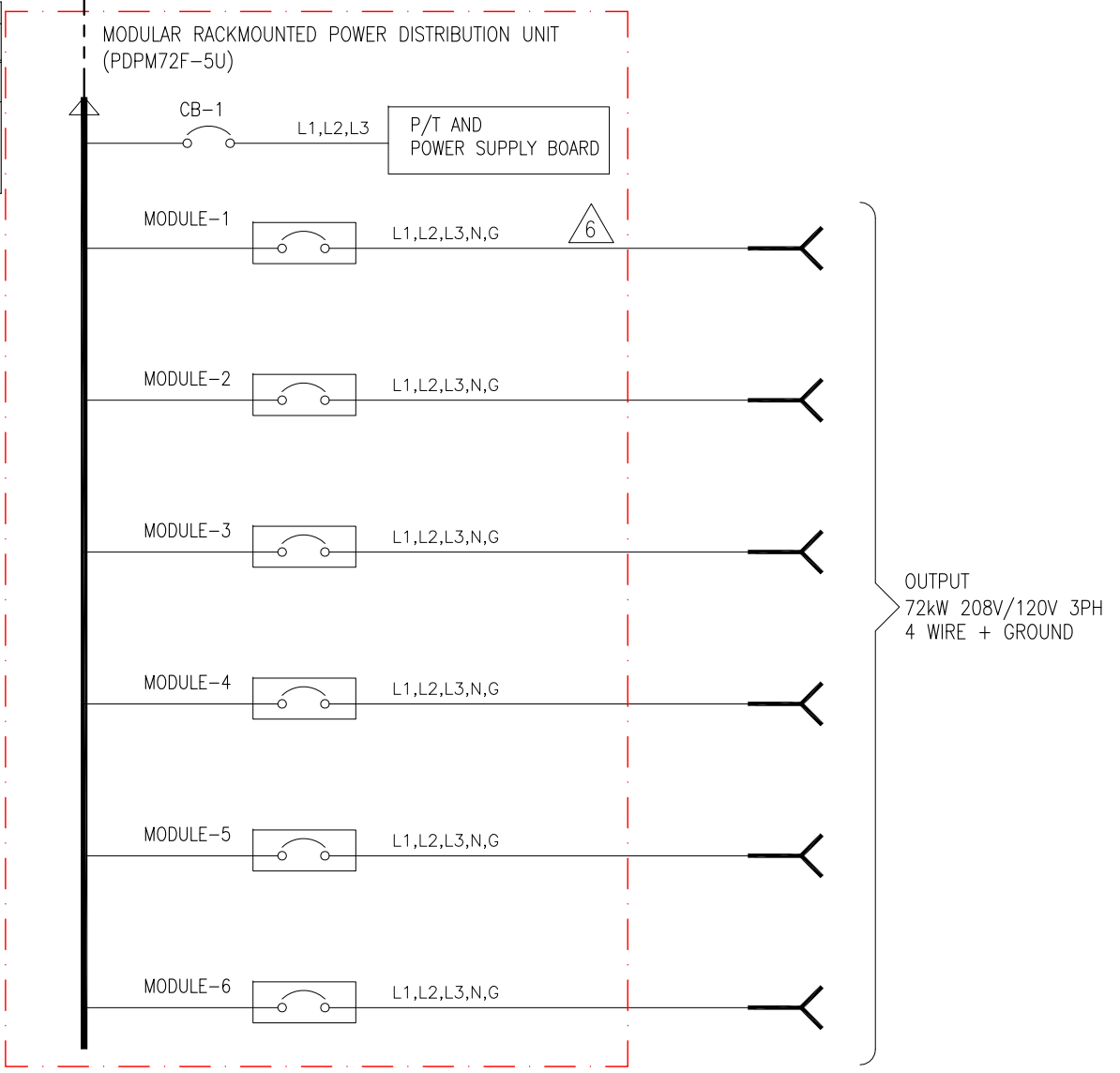
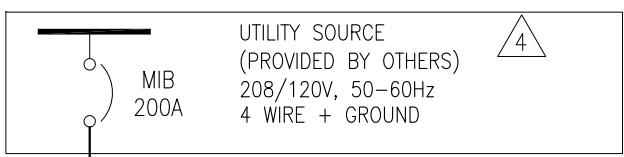
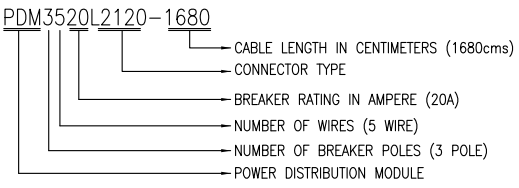
PRODUCT RATING		
DEVICE	NOMINAL CURRENT	RATED SHORT CIRCUIT CURRENT
PDPM INPUT	200A	10kA SYMMETRICAL
PDPM OUTPUT	200A	10kA SYMMETRICAL

DISTRIBUTION DETAILS					
DEVICE ID	RATING	TYPE	MAKE	MODEL	RATED SHORT CIRCUIT CURRENT
CB-1	4A/5A	3 POLE BREAKER	MERLIN GERIN	M9F53304/MGN61426	10kA SYMMETRICAL
MODULE-X	20A/ 30A	POWER DISTRIBUTION MODULE 3 POLE BREAKER, 3PH 5WIRE CABLE WITH NEMA L21-20/ L21-30	SCHNEIDER ELECTRIC	SEE NOTE 7	10kA SYMMETRICAL

- NOTES:**
- INSTALLATION SHALL COMPLY WITH ALL APPLICABLE NATIONAL, STATE AND LOCAL CODES.
  - PLEASE REFER TO PRODUCT MANUALS PRIOR TO INSTALLATION AND SITE PREPARATION WORK FOR FURTHER DETAILS.
  - DRAWING DEPICTS POWER SYSTEM CONNECTIONS AND IS NOT REPRESENTATIVE OF PHYSICAL LAYOUT, PLEASE REFER TO MECHANICAL DRAWINGS FOR PHYSICAL LAYOUT.
- Δ4. AC SOURCE TO BE 208/120V 3PH WYE 4 WIRE + GROUND (CONTACT SCHNEIDER ELECTRIC IF OTHER).
5. ALL AC POWER CABLING TO BE 600V RATED, 4 WIRE + GROUND.
- Δ6. ALL POWER DISTRIBUTION MODULES ARE NOT PART OF THIS SKU AND ARE ORDERED SEPARATELY. PLEASE CONTACT SCHNEIDER ELECTRIC.
7. MAXIMUM 6 MODULES PER SKU. SEE CHART WITH MODULE OPTIONS. PLEASE CONTACT SCHNEIDER ELECTRIC FOR LATEST LIST OF MODULE OPTIONS.

**MODULE OPTIONS AND DETAILS**

20A-3P BREKER, 20A-3PH PLUG WITH 12 AWG CABLE	30A-3P BREKER, 30A-3PH PLUG WITH 10 AWG CABLE
PDM3520L2120-80	PDM3530L2130-80
PDM3520L2120-140	PDM3530L2130-140
PDM3520L2120-200	PDM3530L2130-200
PDM3520L2120-260	PDM3530L2130-260
PDM3520L2120-320	PDM3530L2130-320
PDM3520L2120-380	PDM3530L2130-380
PDM3520L2120-440	PDM3530L2130-440
PDM3520L2120-500	PDM3530L2130-500
PDM3520L2120-560	PDM3530L2130-560
PDM3520L2120-620	PDM3530L2130-620
PDM3520L2120-680	PDM3530L2130-680
PDM3520L2120-740	PDM3530L2130-740
PDM3520L2120-800	PDM3530L2130-800
PDM3520L2120-860	PDM3530L2130-860
PDM3520L2120-920	PDM3530L2130-920
PDM3520L2120-980	PDM3530L2130-980
PDM3520L2120-1040	PDM3530L2130-1040
PDM3520L2120-1680	PDM3530L2130-1680



THIS DRAWING AND SPECIFICATIONS HEREIN ARE THE PROPERTY OF SCHNEIDER ELECTRIC AND SHALL NOT BE COPIED, REPRODUCED OR USED IN WHOLE OR IN PART, AS THE BASIS FOR THE MANUFACTURE OR SALE OF ITEMS WITHOUT WRITTEN PERMISSION FROM SCHNEIDER ELECTRIC. THIS DRAWING IS BASED UPON LATEST AVAILABLE INFORMATION AND IS SUBJECT TO CHANGE WITHOUT NOTICE.



TITLE: MODULAR RACK DISTRIBUTION PANEL  
 INPUT: 208V/120V 3PH 50-60Hz  
 OUTPUT: 72kW, 200A, 208/120V 3 PH  
 3 POLE BREAKER MODULES WITH NEMA PLUGS  
 SYSTEM ONE LINE DIAGRAM

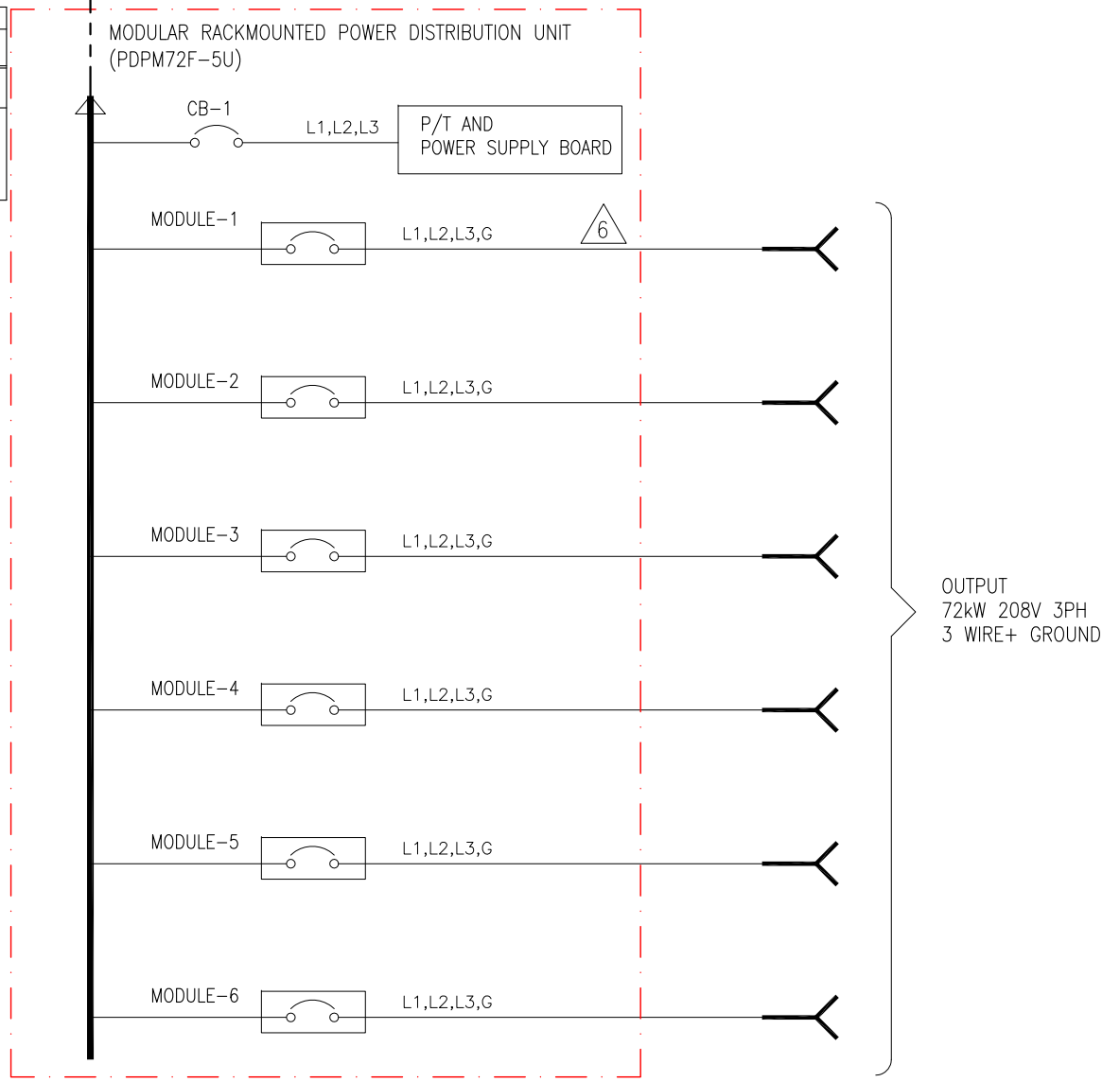
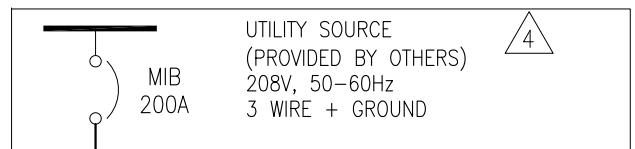
DWG NO:	PDPM72F-5U		REV:	1
DRAWN BY:	JAYAPRAKASH	05-AUG-19	ANGLE	
ENGINEER:	M.WEISENBLOOM	05-AUG-19	PROJECTION	
APPROVED BY:	B.SHERIDAN/E.SILVA	05-AUG-19	NA	

**LEGEND:**  
 - - - - - AC CABLE - PROVIDED BY OTHERS.  
 \_\_\_\_\_ AC BUS

PRODUCT RATING		
DEVICE	NOMINAL CURRENT	RATED SHORT CIRCUIT CURRENT
PDPM INPUT	200A	10kA SYMMETRICAL
PDPM OUTPUT	200A	10kA SYMMETRICAL

DISTRIBUTION DETAILS					
DEVICE ID	RATING	TYPE	MAKE	MODEL	RATED SHORT CIRCUIT CURRENT
CB-1	4A/5A	3 POLE BREAKER	MERLIN GERIN	M9F53304/MGN61426	10kA SYMMETRICAL
MODULE-X	60A	POWER DISTRIBUTION MODULE 3 POLE BREAKER, 3PH 4 WIRE CABLE WITH IEC-309 CONNECTOR	SCHNEIDER ELECTRIC	SEE NOTE 7	10kA SYMMETRICAL

- NOTES:**
- INSTALLATION SHALL COMPLY WITH ALL APPLICABLE NATIONAL, STATE AND LOCAL CODES.
  - PLEASE REFER TO PRODUCT MANUALS PRIOR TO INSTALLATION AND SITE PREPARATION WORK FOR FURTHER DETAILS.
  - DRAWING DEPICTS POWER SYSTEM CONNECTIONS AND IS NOT REPRESENTATIVE OF PHYSICAL LAYOUT, PLEASE REFER TO MECHANICAL DRAWINGS FOR PHYSICAL LAYOUT.
  - AC SOURCE TO BE 208/120V 3PH WYE 3 WIRE + GROUND (CONTACT SCHNEIDER ELECTRIC IF OTHER).
  - ALL AC POWER CABLING TO BE 600V RATED, 3 WIRE + GROUND.
  - ALL POWER DISTRIBUTION MODULES ARE NOT PART OF THIS SKU AND ARE ORDERED SEPARATELY. PLEASE CONTACT SCHNEIDER ELECTRIC.
  - MAXIMUM 6 MODULES PER SKU. SEE CHART WITH MODULE OPTIONS. PLEASE CONTACT SCHNEIDER ELECTRIC FOR LATEST LIST OF MODULE OPTIONS.



**MODULE OPTIONS AND DETAILS**

60A-3P BREAKER, 60A-3PH PLUG WITH 8 AWG CABLE

PDM3460IEC309-80
PDM3460IEC309-140
PDM3460IEC309-200
PDM3460IEC309-260
PDM3460IEC309-320
PDM3460IEC309-380
PDM3460IEC309-440
PDM3460IEC309-500
PDM3460IEC309-560
PDM3460IEC309-620
PDM3460IEC309-680
PDM3460IEC309-740
PDM3460IEC309-800
PDM3460IEC309-860
PDM3460IEC309-920
PDM3460IEC309-980
PDM3460IEC309-1040
PDM3460IEC309-1680

- PDM3460IEC309-1680
- CABLE LENGTH IN CENTIMETERS (1680cms)
  - CONNECTOR TYPE
  - BREAKER RATING IN AMPERE (60A)
  - NUMBER OF WIRES (4 WIRE)
  - NUMBER OF BREAKER POLES (3 POLE)
  - POWER DISTRIBUTION MODULE

THIS DRAWING AND SPECIFICATIONS HEREIN ARE THE PROPERTY OF SCHNEIDER ELECTRIC AND SHALL NOT BE COPIED, REPRODUCED OR USED IN WHOLE OR IN PART, AS THE BASIS FOR THE MANUFACTURE OR SALE OF ITEMS WITHOUT WRITTEN PERMISSION FROM SCHNEIDER ELECTRIC. THIS DRAWING IS BASED UPON LATEST AVAILABLE INFORMATION AND IS SUBJECT TO CHANGE WITHOUT NOTICE.



TITLE: MODULAR RACK DISTRIBUTION PANEL  
 INPUT: 208V/120V 3PH 50-60Hz  
 OUTPUT: 72kW, 200A, 208/120V 3 PH  
 3 POLE BREAKER MODULES WITH IEC PLUGS  
 SYSTEM ONE LINE DIAGRAM

PROJECT: DRAWINGS SHEET 8 OF 9

DWG NO: PDPM72F-5U REV. 1

DRAWN BY: JAYAPRAKASH 05-AUG-19 ANGLE  
 ENGINEER: M.WEISENBLOOM 05-AUG-19 PROJECTION  
 APPROVED BY: B.SHERIDAN/E.SILVA 05-AUG-19 NA



PRODUCT RATING		
DEVICE	NOMINAL CURRENT	RATED SHORT CIRCUIT CURRENT
PDPM INPUT	200A	10ka SYMMETRICAL
PDPM OUTPUT	200A	10ka SYMMETRICAL

DISTRIBUTION DETAILS					
DEVICE ID	RATING	TYPE	MAKE	MODEL	RATED SHORT CIRCUIT CURRENT
CB-1	4A/5A	3 POLE BREAKER	MERLIN GERIN	M9F53304/MGN61426	10ka SYMMETRICAL
MODULE-X	20A	POWER DISTRIBUTION MODULE 3 POLE BREAKER, 3-1PH 3WIRE CABLE WITH NEMA L5-20 CONNECTOR	SCHNEIDER ELECTRIC	SEE NOTE 7	10ka SYMMETRICAL

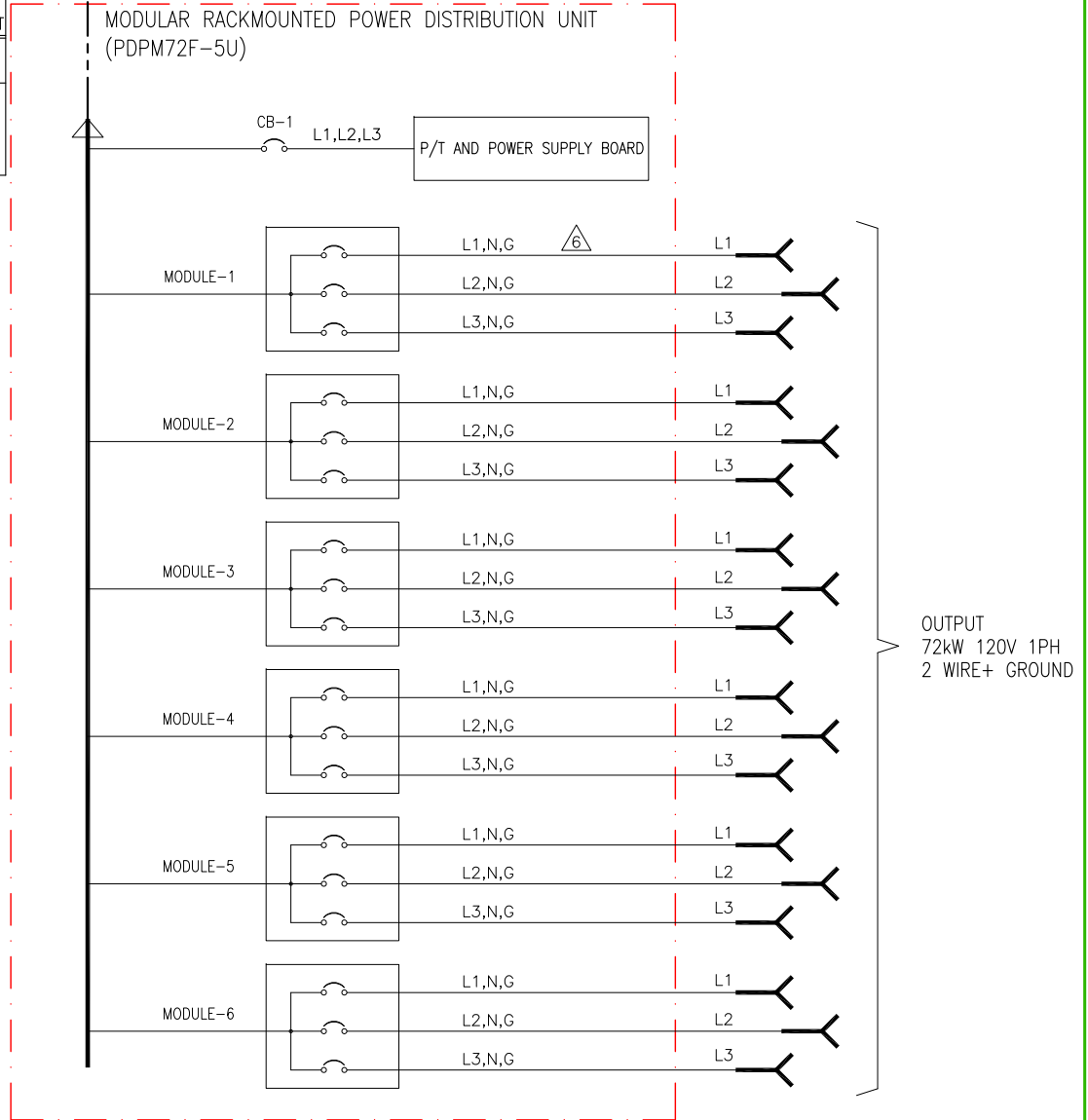
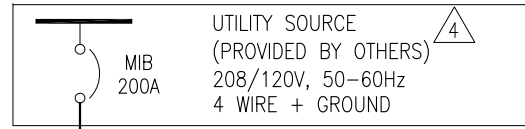
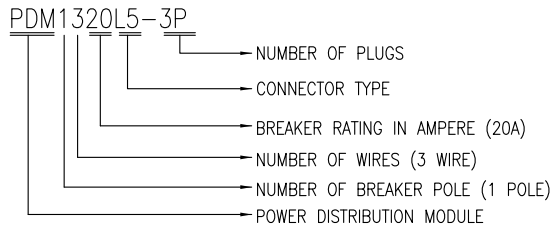
**LEGEND:**

----- AC CABLE - PROVIDED BY OTHERS.  
 \_\_\_\_\_ AC BUS

**NOTES:**

- INSTALLATION SHALL COMPLY WITH ALL APPLICABLE NATIONAL, STATE AND LOCAL CODES.
  - PLEASE REFER TO PRODUCT MANUALS PRIOR TO INSTALLATION AND SITE PREPARATION WORK FOR FURTHER DETAILS.
  - DRAWING DEPICTS POWER SYSTEM CONNECTIONS AND IS NOT REPRESENTATIVE OF PHYSICAL LAYOUT, PLEASE REFER TO MECHANICAL DRAWINGS FOR PHYSICAL LAYOUT.
- △4. AC SOURCE TO BE 208/120V 3PH WYE 4 WIRE + GROUND (CONTACT SCHNEIDER ELECTRIC IF OTHER).
- ALL AC POWER CABLING TO BE 600V RATED, 4 WIRE + GROUND.
  - ALL POWER DISTRIBUTION MODULES ARE NOT PART OF THIS SKU AND ARE ORDERED SEPARATELY. PLEASE CONTACT SCHNEIDER ELECTRIC.
  - MAXIMUM 6 MODULES PER SKU. SEE CHART WITH MODULE OPTIONS. PLEASE CONTACT SCHNEIDER ELECTRIC FOR LATEST LIST OF MODULE OPTIONS.

MODULE OPTIONS AND DETAILS	Cable length in Centimeters /Phase	L5-20 CONNECTOR Sepsification	Cable specification
PDM1320L5-3P-1	260/L1, 380/L2 & 500/L3	3-20A-1PH 3 WIRE	3 - #12 AWG
PDM1320L5-3P-2	680/L1, 860/L2 & 1040/L3	3-20A-1PH 3 WIRE	3 - #12 AWG
PDM1320L5-3P-3	1680/L1, 1680/L2 & 1680/L3	3-20A-1PH 3 WIRE	3 - #12 AWG



THIS DRAWING AND SPECIFICATIONS HEREIN ARE THE PROPERTY OF SCHNEIDER ELECTRIC AND SHALL NOT BE COPIED, REPRODUCED OR USED IN WHOLE OR IN PART, AS THE BASIS FOR THE MANUFACTURE OR SALE OF ITEMS WITHOUT WRITTEN PERMISSION FROM SCHNEIDER ELECTRIC. THIS DRAWING IS BASED UPON LATEST AVAILABLE INFORMATION AND IS SUBJECT TO CHANGE WITHOUT NOTICE.



TITLE: MODULAR RACK DISTRIBUTION PANEL  
 INPUT: 208V/120V 3PH 50-60Hz  
 OUTPUT: 72kW, 200A, 120V 1 PH  
 1 POLE BREAKER MODULES WITH NEMA PLUGS  
 SYSTEM ONE LINE DIAGRAM

PROJECT: DRAWINGS SHEET 9 OF 9

DWG NO: PDPM72F-5U REV. 1

DRAWN BY: JAYAPRAKASH 05-AUG-19 ANGLE

ENGINEER: S.LEE/M.WEISENBLOOM 05-AUG-19 PROJECTION

APPROVED BY: B.SHERIDAN/E.SILVA 05-AUG-19 NA