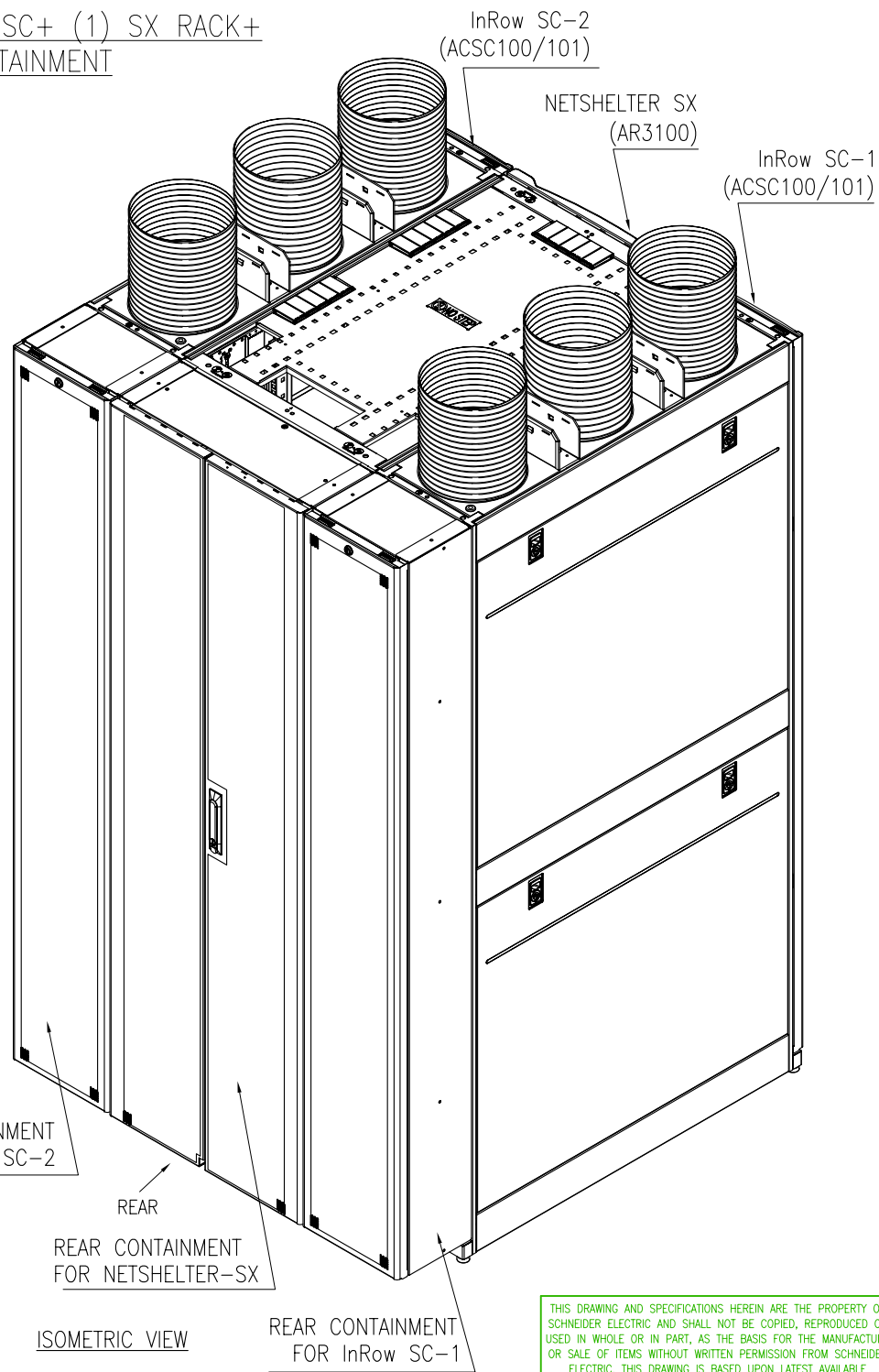


ASSEMBLY-(2) InRow SC+ (1) SX RACK+  
REAR CONTAINMENT



ISOMETRIC VIEW

NOTES:

1. INSTALLATION SHALL COMPLY WITH ALL APPLICABLE NATIONAL, STATE AND LOCAL CODES.
2. PLEASE REFER TO PRODUCT DOCUMENTATION FOR FURTHER INFORMATION.
3. UNLESS OTHERWISE SPECIFIED, ALL DIMENSIONS ARE IN MILLIMETERS [INCHES].
4. NET WEIGHT OF THE UNIT IS 509.5 kg [1120.9 LBS].
5. PLEASE REFER In-Row SC (ACSC100/ACSC101) AND NETSHELTER SX RACK (AR3100) FOR ADDITIONAL DETAILS.

THIS DRAWING AND SPECIFICATIONS HEREIN ARE THE PROPERTY OF SCHNEIDER ELECTRIC AND SHALL NOT BE COPIED, REPRODUCED OR USED IN WHOLE OR IN PART, AS THE BASIS FOR THE MANUFACTURE OR SALE OF ITEMS WITHOUT WRITTEN PERMISSION FROM SCHNEIDER ELECTRIC. THIS DRAWING IS BASED UPON LATEST AVAILABLE INFORMATION AND IS SUBJECT TO CHANGE WITHOUT NOTICE.

**Schneider Electric**

TITLE:

InRow SC SYSTEM  
2 In-Row SC, 1 RACK AND  
REAR CONTAINMENT  
TYPICAL ASSEMBLY

DWG NO:

RACSC201-RACSC201E

REV. 0

DRAWN: C KRISHNA

21-APR-09

ANGLE

ENGINEER: M.FIACCO/M.BROWN

21-APR-09

PROJECTION

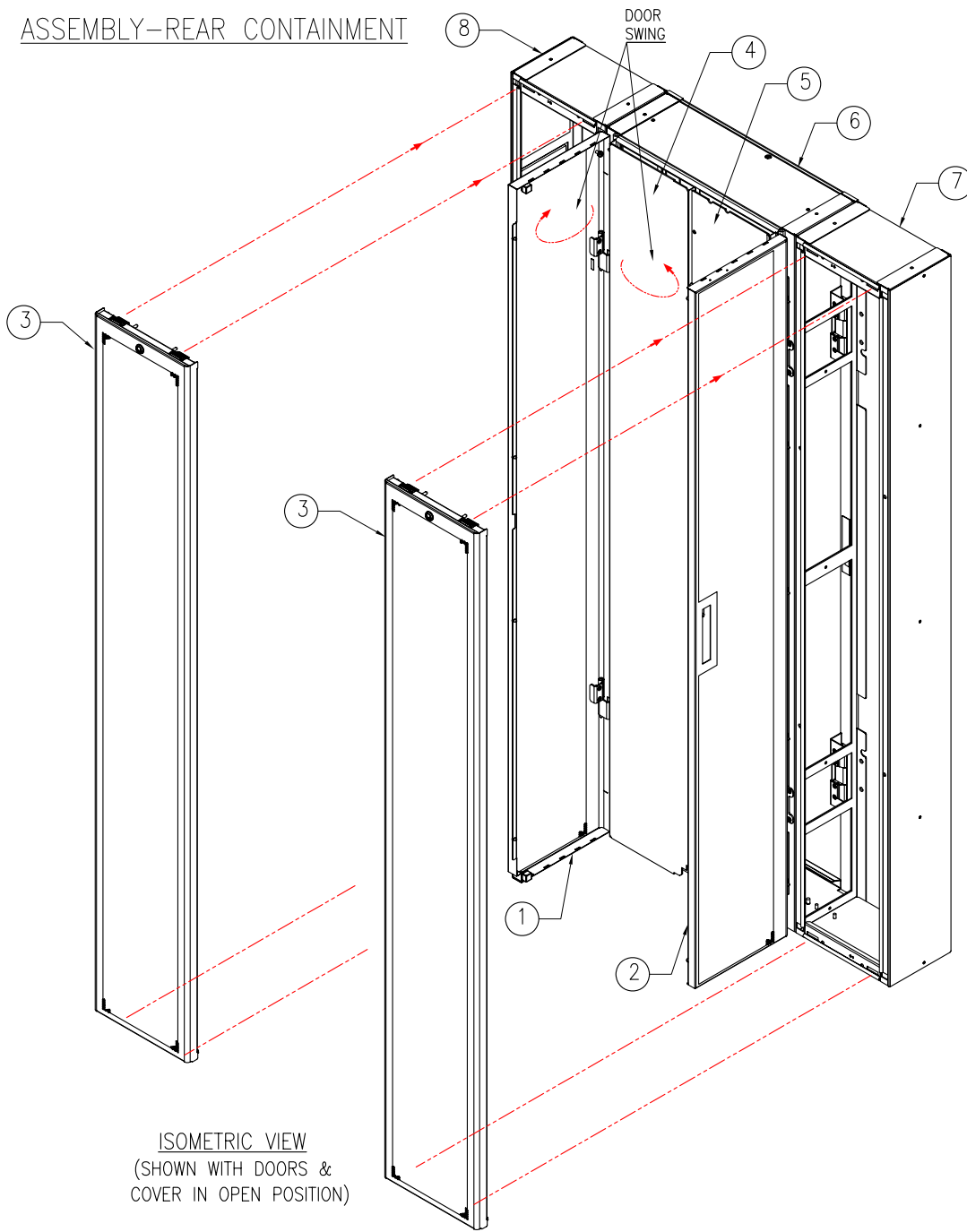
PROJECT: SUBMITTAL DRAWINGS SHEET 1 OF 8

APPROVED: C.CUMMISKEY/A.KUKLA

21-APR-09

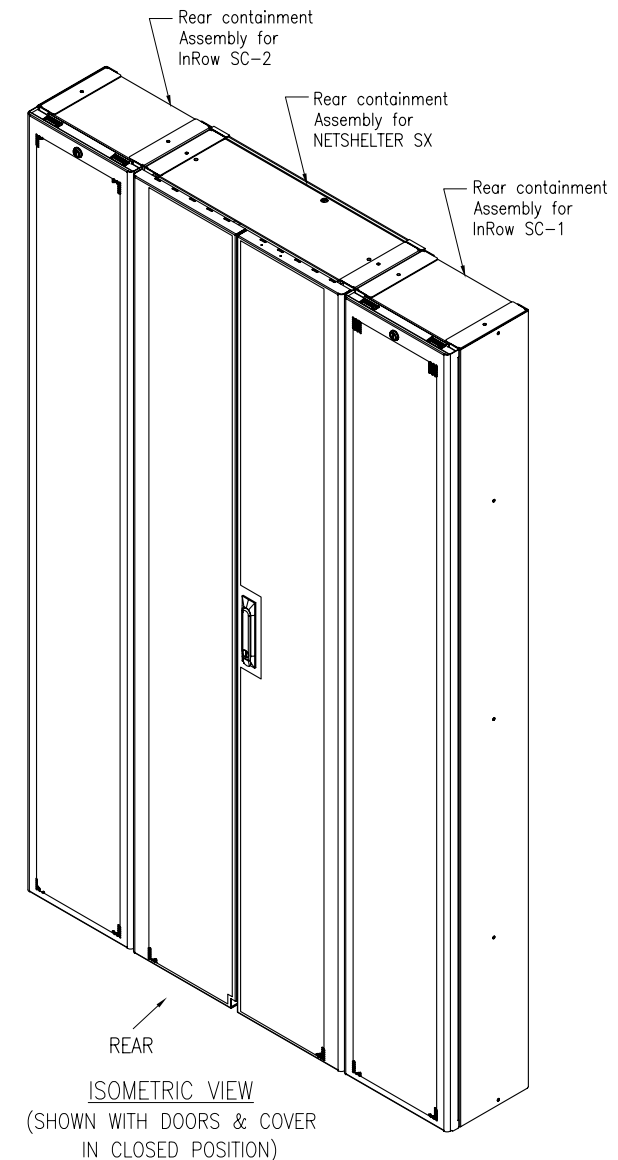
N.A.

# ASSEMBLY-REAR CONTAINMENT



ISOMETRIC VIEW  
(SHOWN WITH DOORS & COVER IN OPEN POSITION)

- ① REAR DOOR(LEFT)-NETSHELTER SX (NOT SUPPLIED WITH THIS SKU)
- ② REAR DOOR(RIGHT)-NETSHELTER SX (NOT SUPPLIED WITH THIS SKU)
- ③ REAR COVER-InRow SC (NOT SUPPLIED WITH THIS SKU)
- ④ REAR DOOR (LEFT)-ATTACHMENT (LEXAN INSERT & BRACKETS ASSEMBLY)
- ⑤ REAR DOOR (RIGHT)-ATTACHMENT (LEXAN INSERT AND BRACKETS ASSEMBLY)
- ⑥ REAR CONTAINMENT FOR NETSHELTER-SX
- ⑦ REAR CONTAINMENT FOR InRow SC-1
- ⑧ REAR CONTAINMENT FOR InRow SC-2



ISOMETRIC VIEW  
(SHOWN WITH DOORS & COVER IN CLOSED POSITION)

**NOTES:**  
 1. INSTALLATION SHALL COMPLY WITH ALL APPLICABLE NATIONAL, STATE AND LOCAL CODES.  
 2. PLEASE REFER TO PRODUCT DOCUMENTATION FOR FURTHER INFORMATION.  
 3. UNLESS OTHERWISE SPECIFIED, ALL DIMENSIONS ARE IN MILLIMETERS [INCHES]

THIS DRAWING AND SPECIFICATIONS HEREIN ARE THE PROPERTY OF SCHNEIDER ELECTRIC AND SHALL NOT BE COPIED, REPRODUCED OR USED IN WHOLE OR IN PART, AS THE BASIS FOR THE MANUFACTURE OR SALE OF ITEMS WITHOUT WRITTEN PERMISSION FROM SCHNEIDER ELECTRIC. THIS DRAWING IS BASED UPON LATEST AVAILABLE INFORMATION AND IS SUBJECT TO CHANGE WITHOUT NOTICE.

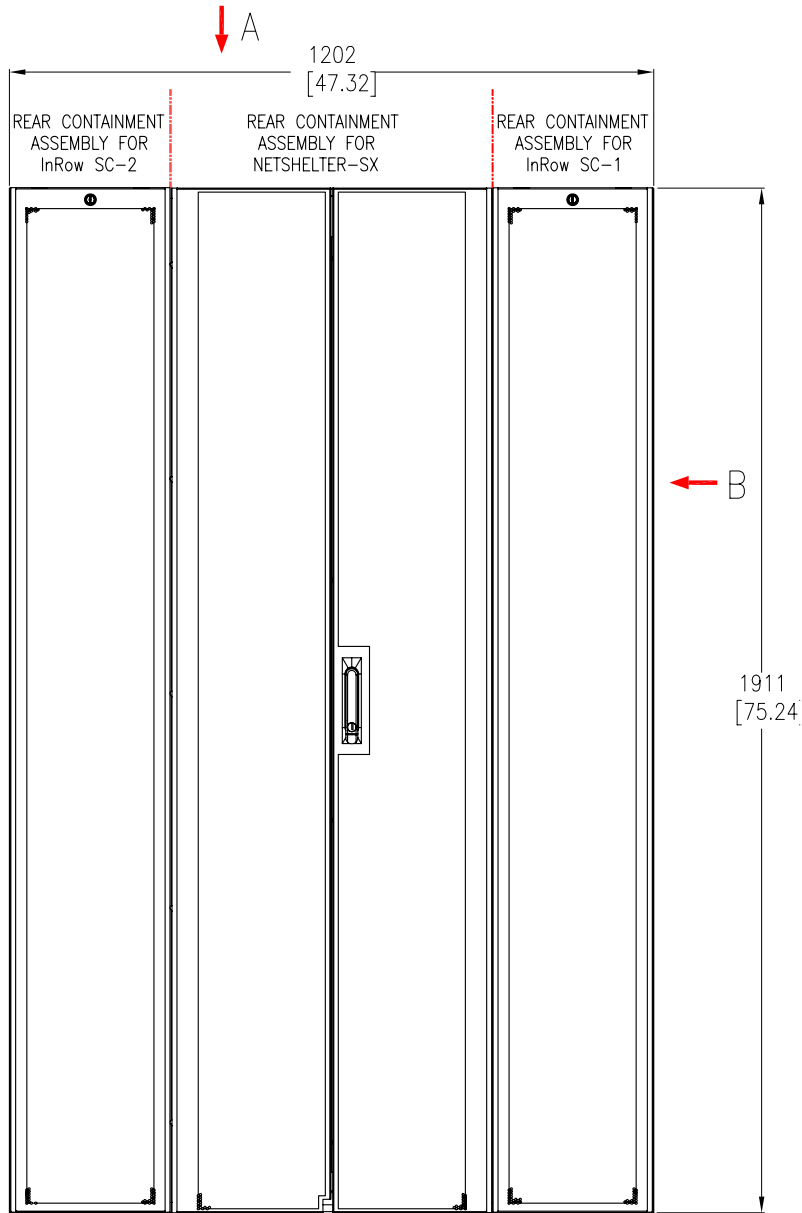


TITLE:  
 InRow SC SYSTEM  
 2 In-Row SC, 1 RACK AND  
 REAR CONTAINMENT  
 ASSEMBLY  
 PROJECT: SUBMITTAL DRAWINGS SHEET 2 OF 8

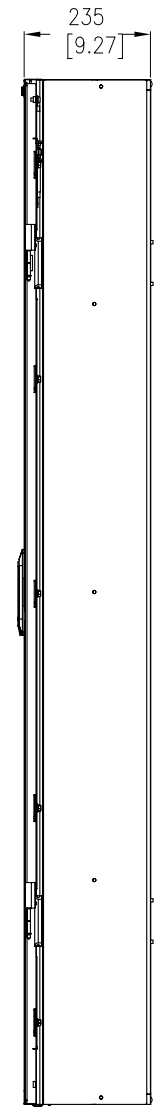
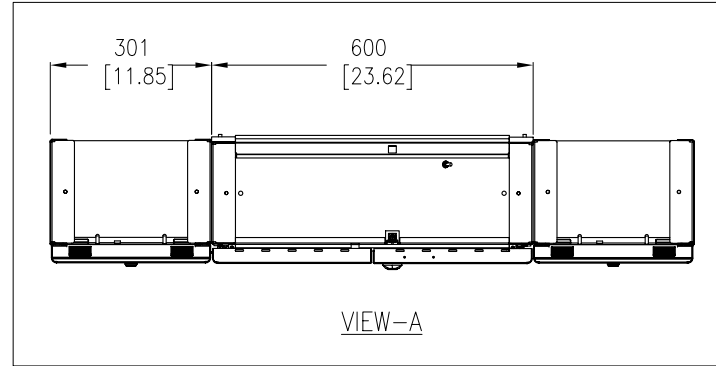
DWG NO: RACSC201-RACSC201E  
 DRAWN: C KRISHNA 21-APR-09  
 ENGINEER: M.FIACCO/M.BROWN 21-APR-09  
 APPROVED: C.CUMMISKEY/A.KUKLA 21-APR-09

REV. 0  
 ANGLE PROJECTION  
 N.A.

# REAR CONTAINMENT-ASSEMBLY DETAILS



FRONT VIEW



VIEW-B

**NOTES:**

1. INSTALLATION SHALL COMPLY WITH ALL APPLICABLE NATIONAL, STATE AND LOCAL CODES.
2. PLEASE REFER TO PRODUCT DOCUMENTATION FOR FURTHER INFORMATION.
3. UNLESS OTHERWISE SPECIFIED, ALL DIMENSIONS ARE IN MILLIMETERS [INCHES].

THIS DRAWING AND SPECIFICATIONS HEREIN ARE THE PROPERTY OF SCHNEIDER ELECTRIC AND SHALL NOT BE COPIED, REPRODUCED OR USED IN WHOLE OR IN PART, AS THE BASIS FOR THE MANUFACTURE OR SALE OF ITEMS WITHOUT WRITTEN PERMISSION FROM SCHNEIDER ELECTRIC. THIS DRAWING IS BASED UPON LATEST AVAILABLE INFORMATION AND IS SUBJECT TO CHANGE WITHOUT NOTICE.



TITLE:

InRow SC SYSTEM  
2 In-Row SC, 1 RACK AND  
REAR CONTAINMENT  
ASSEMBLY DETAILS

PROJECT: SUBMITTAL DRAWINGS SHEET 3 OF 8

DWG NO: RACSC201-RACSC201E

REV. 0

DRAWN: C KRISHNA 21-APR-09

ANGLE

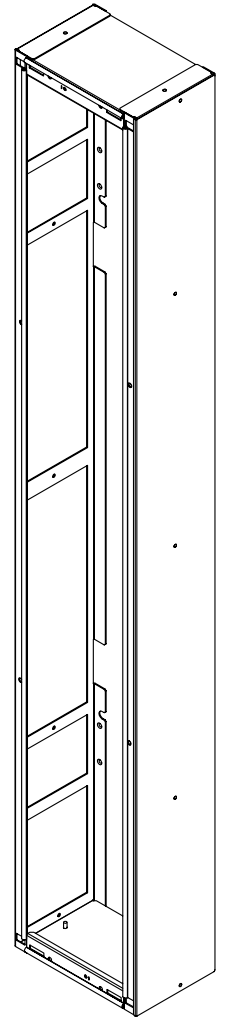
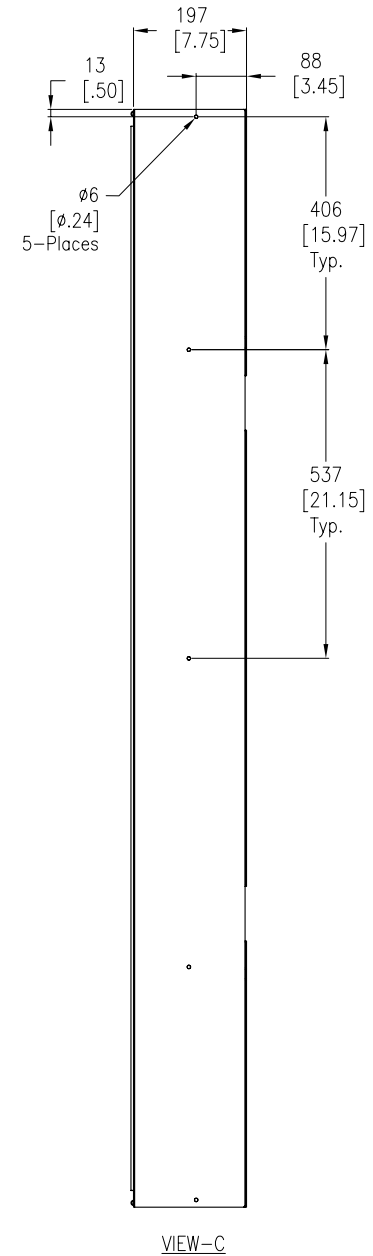
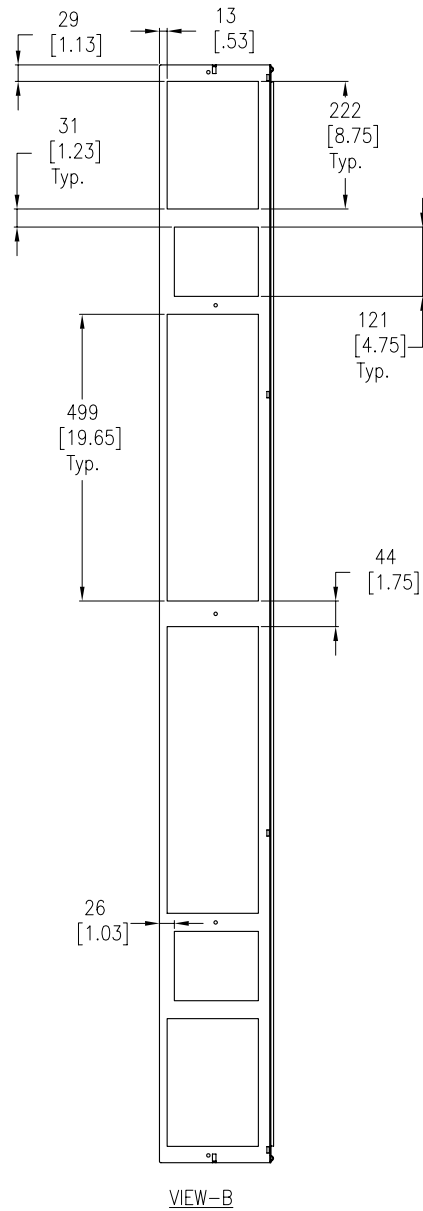
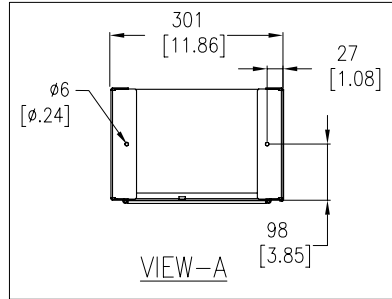
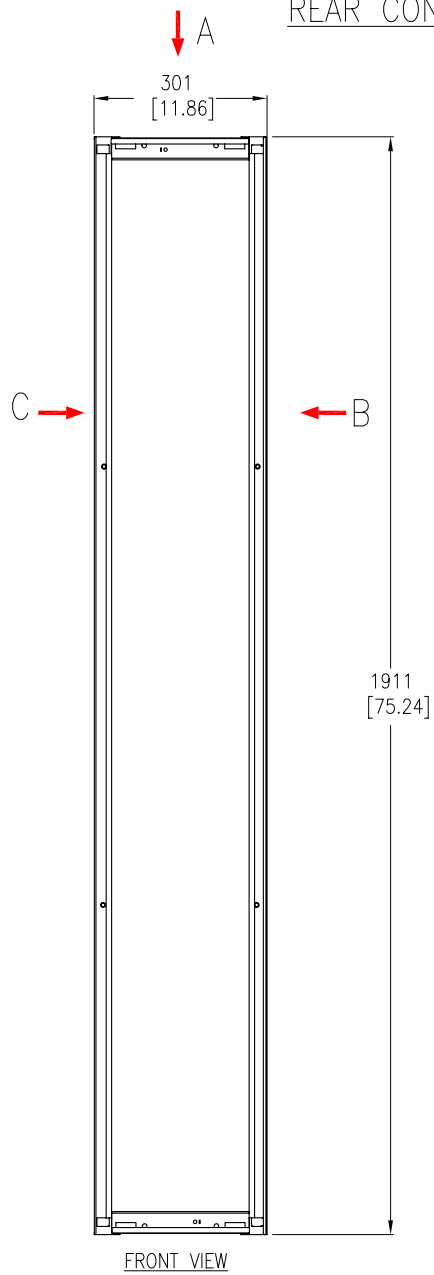
ENGINEER: M.FIACCO/M.BROWN 21-APR-09

PROJECTION

APPROVED: C.CUMMISKEY/A.KUKLA 21-APR-09

N.A.

REAR CONTAINMENT-InRow SC-1



NOTES:

1. INSTALLATION SHALL COMPLY WITH ALL APPLICABLE NATIONAL, STATE AND LOCAL CODES.
2. PLEASE REFER TO PRODUCT DOCUMENTATION FOR FURTHER INFORMATION.
3. UNLESS OTHERWISE SPECIFIED, ALL DIMENSIONS ARE IN MILLIMETERS [INCHES].
4. FOR ADDITIONAL DETAILS REFER TO SKU-ACCS1000 & ACCS1002

THIS DRAWING AND SPECIFICATIONS HEREIN ARE THE PROPERTY OF SCHNEIDER ELECTRIC AND SHALL NOT BE COPIED, REPRODUCED OR USED IN WHOLE OR IN PART, AS THE BASIS FOR THE MANUFACTURE OR SALE OF ITEMS WITHOUT WRITTEN PERMISSION FROM SCHNEIDER ELECTRIC. THIS DRAWING IS BASED UPON LATEST AVAILABLE INFORMATION AND IS SUBJECT TO CHANGE WITHOUT NOTICE.



TITLE:  
InRow SC SYSTEM  
2 In-Row SC, 1 RACK AND  
REAR CONTAINMENT  
REAR CONTAINMENT-InRow SC-1

PROJECT: SUBMITTAL DRAWINGS SHEET 4 OF 8

DWG NO: RACSC201-RACSC201E REV. 0

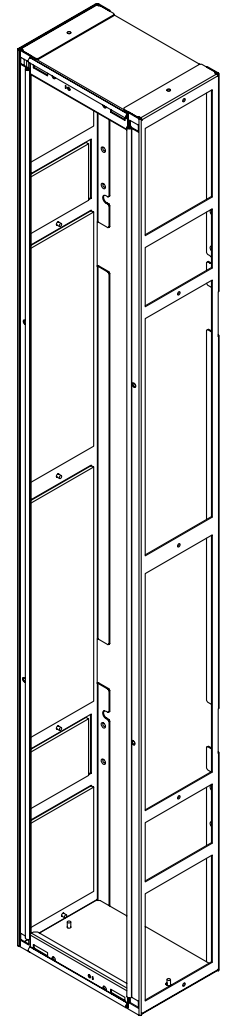
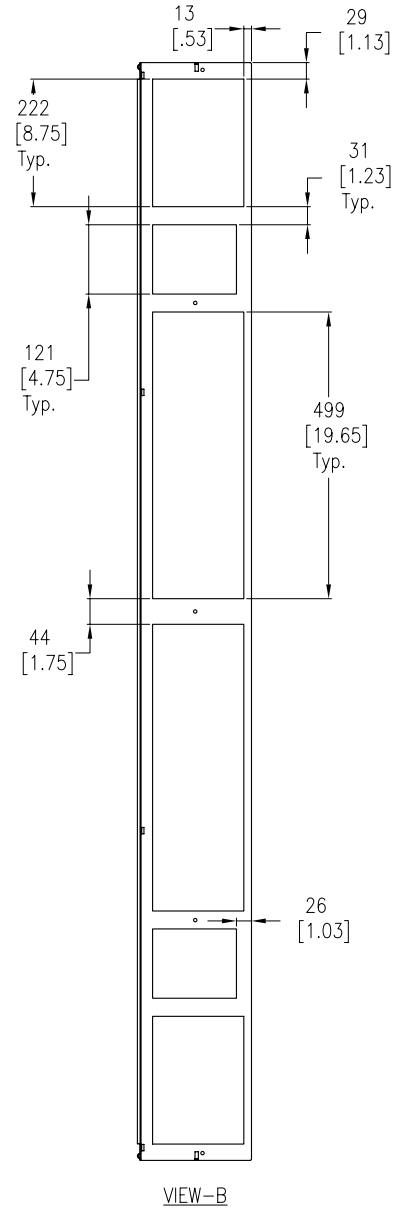
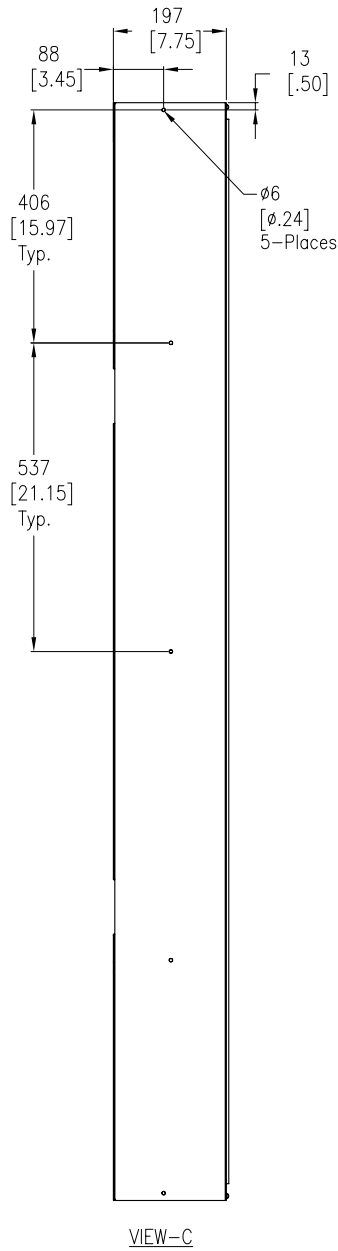
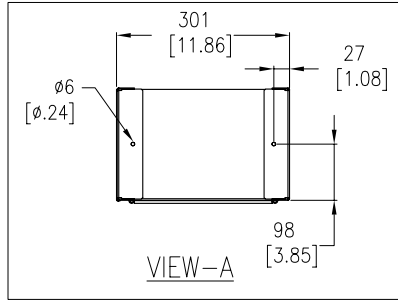
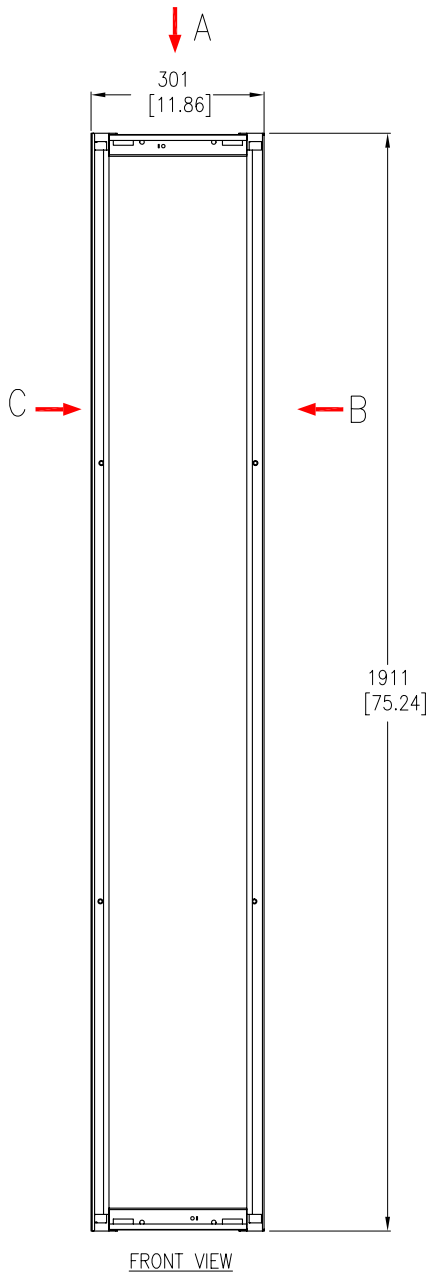
DRAWN: C KRISHNA 21-APR-09

ENGINEER: M.FIACCO/M.BROWN 21-APR-09

APPROVED: C.CUMMISKEY/A.KUKLA 21-APR-09

ANGLE  
PROJECTION  
N.A

REAR CONTAINMENT-InRow SC-2



NOTES:

1. INSTALLATION SHALL COMPLY WITH ALL APPLICABLE NATIONAL, STATE AND LOCAL CODES.
2. PLEASE REFER TO PRODUCT DOCUMENTATION FOR FURTHER INFORMATION.
3. UNLESS OTHERWISE SPECIFIED, ALL DIMENSIONS ARE IN MILLIMETERS [INCHES]
4. FOR ADDITIONAL DETAILS REFER TO SKU-ACCS1000 & ACCS1002

THIS DRAWING AND SPECIFICATIONS HEREIN ARE THE PROPERTY OF SCHNEIDER ELECTRIC AND SHALL NOT BE COPIED, REPRODUCED OR USED IN WHOLE OR IN PART, AS THE BASIS FOR THE MANUFACTURE OR SALE OF ITEMS WITHOUT WRITTEN PERMISSION FROM SCHNEIDER ELECTRIC. THIS DRAWING IS BASED UPON LATEST AVAILABLE INFORMATION AND IS SUBJECT TO CHANGE WITHOUT NOTICE.



TITLE:  
InRow SC SYSTEM  
2 In-Row SC, 1 RACK AND  
REAR CONTAINMENT  
REAR CONTAINMENT-InRow SC-2

PROJECT: SUBMITTAL DRAWINGS SHEET 5 OF 8

DWG NO: RACSC201-RACSC201E REV. 0

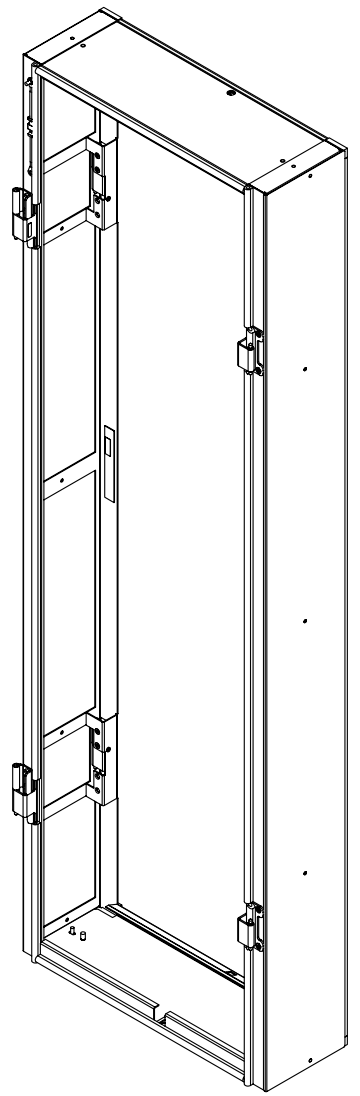
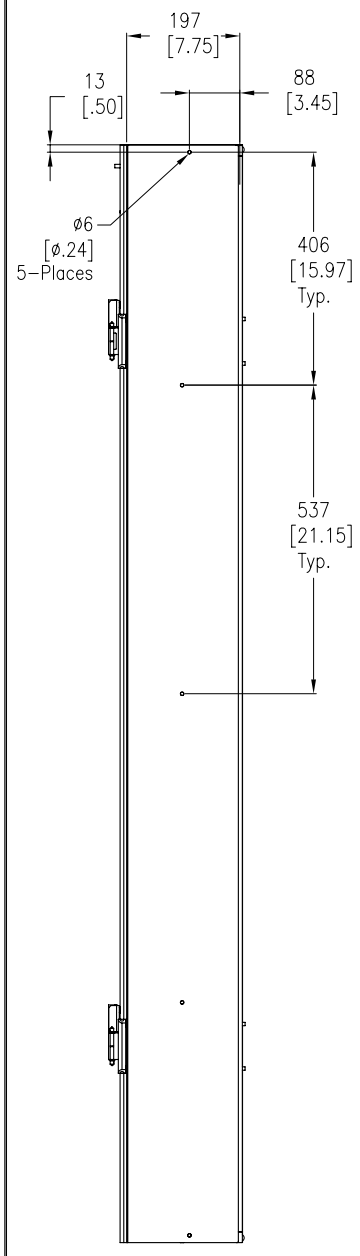
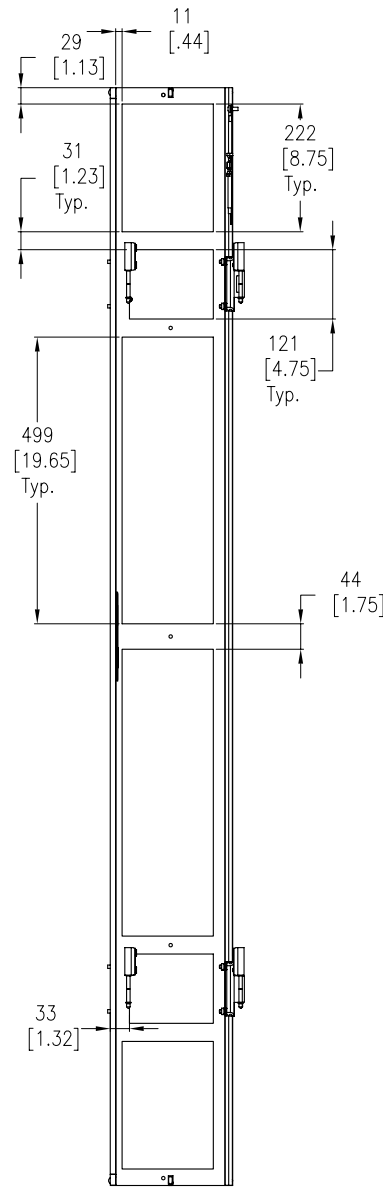
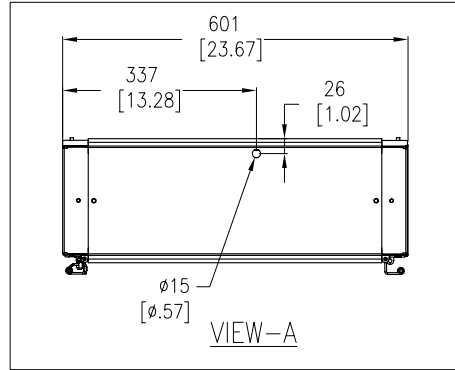
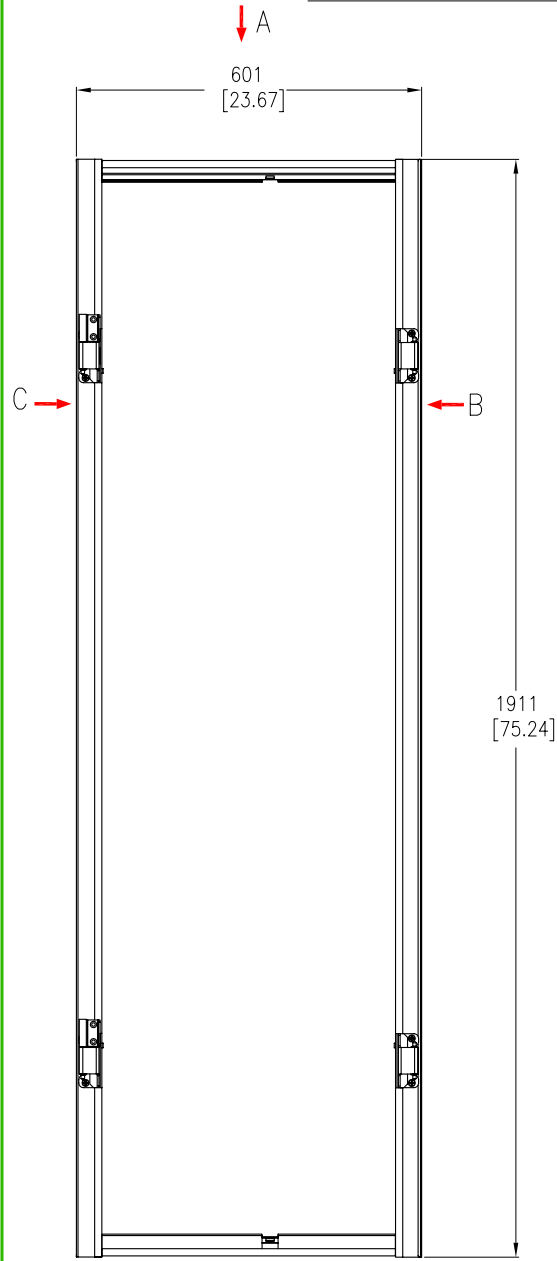
DRAWN: C KRISHNA 21-APR-09

ENGINEER: M.FIACCO/M.BROWN 21-APR-09

APPROVED: C.CUMMISKEY/A.KUKLA 21-APR-09

ANGLE PROJECTION  
N.A.

# REAR CONTAINMENT-NETHELTER SX RACK



FRONT VIEW

VIEW-C

VIEW-B

ISOMETRIC VIEW

**NOTES:**

1. INSTALLATION SHALL COMPLY WITH ALL APPLICABLE NATIONAL, STATE AND LOCAL CODES.
2. PLEASE REFER TO PRODUCT DOCUMENTATION FOR FURTHER INFORMATION.
3. UNLESS OTHERWISE SPECIFIED, ALL DIMENSIONS ARE IN MILLIMETERS [INCHES].
4. FOR ADDITIONAL DETAILS REFER TO SKU-ACCS1001 & ACCS1002

THIS DRAWING AND SPECIFICATIONS HEREIN ARE THE PROPERTY OF SCHNEIDER ELECTRIC AND SHALL NOT BE COPIED, REPRODUCED OR USED IN WHOLE OR IN PART, AS THE BASIS FOR THE MANUFACTURE OR SALE OF ITEMS WITHOUT WRITTEN PERMISSION FROM SCHNEIDER ELECTRIC. THIS DRAWING IS BASED UPON LATEST AVAILABLE INFORMATION AND IS SUBJECT TO CHANGE WITHOUT NOTICE.



TITLE:  
InRow SC SYSTEM  
2 In-Row SC, 1 RACK AND  
REAR CONTAINMENT  
REAR CONTAINMENT FRAME-SX RACK

PROJECT: SUBMITTAL DRAWINGS SHEET 6 OF 8

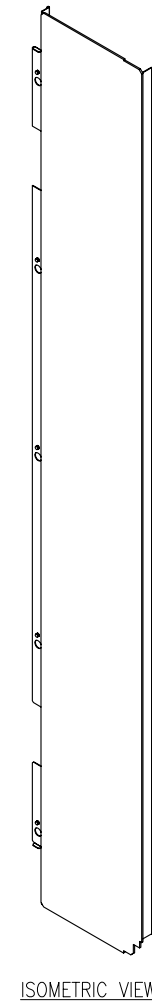
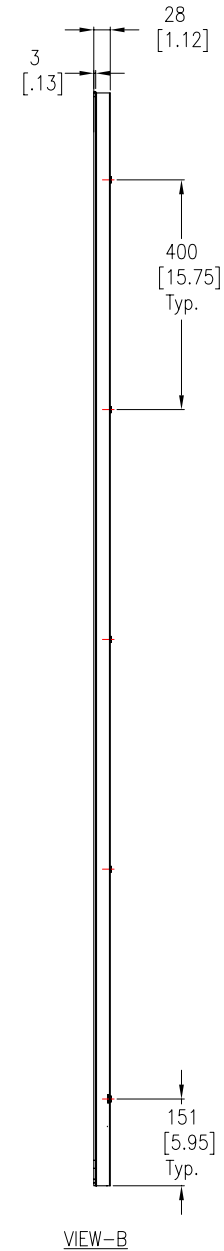
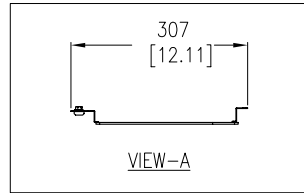
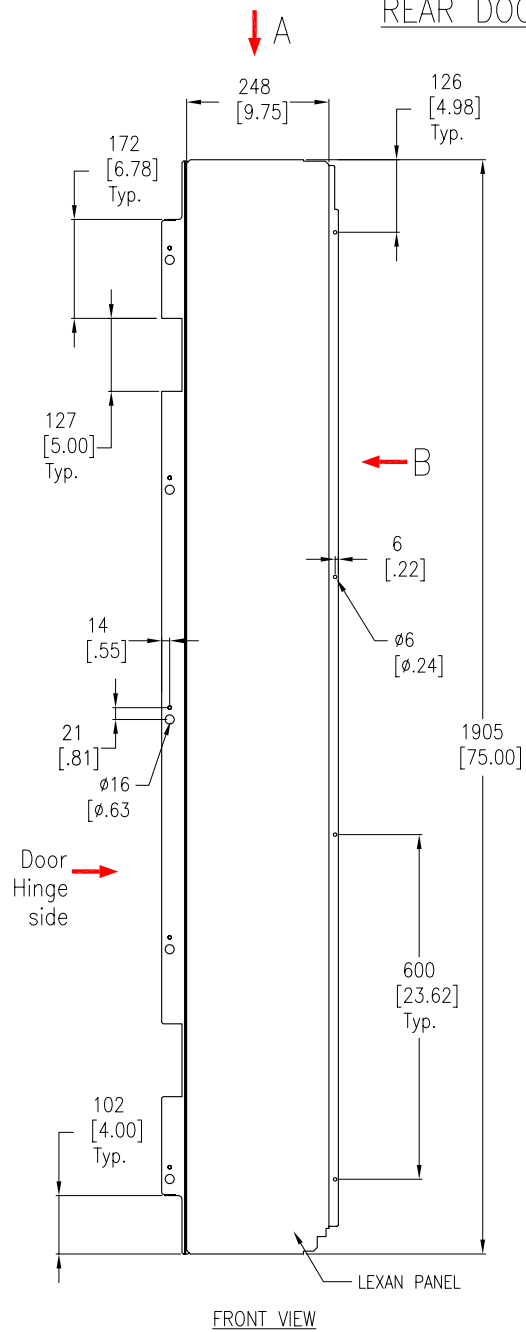
DWG NO: RACSC201-RACSC201E

DRAWN: C KRISHNA	21-APR-09
ENGINEER: M.FIACCO/M.BROWN	21-APR-09
APPROVED: C.CUMMISKEY/A.KUKLA	21-APR-09

REV. 0

ANGLE PROJECTION  
N.A.

# REAR DOOR (LEFT)-ATTACHMENT



## NOTES:

1. INSTALLATION SHALL COMPLY WITH ALL APPLICABLE NATIONAL, STATE AND LOCAL CODES.
2. PLEASE REFER TO PRODUCT DOCUMENTATION FOR FURTHER INFORMATION.
3. UNLESS OTHERWISE SPECIFIED, ALL DIMENSIONS ARE IN MILLIMETERS [INCHES].

THIS DRAWING AND SPECIFICATIONS HEREIN ARE THE PROPERTY OF SCHNEIDER ELECTRIC AND SHALL NOT BE COPIED, REPRODUCED OR USED IN WHOLE OR IN PART, AS THE BASIS FOR THE MANUFACTURE OR SALE OF ITEMS WITHOUT WRITTEN PERMISSION FROM SCHNEIDER ELECTRIC. THIS DRAWING IS BASED UPON LATEST AVAILABLE INFORMATION AND IS SUBJECT TO CHANGE WITHOUT NOTICE.



## TITLE:

InRow SC SYSTEM  
2 In-Row SC, 1 RACK AND  
REAR CONTAINMENT  
REAR DOOR (LEFT)-ATTACHMENT

PROJECT: SUBMITTAL DRAWINGS SHEET 7 OF 8

DWG NO: RACSC201-RACSC201E

DRAWN: C KRISHNA 21-APR-09

ENGINEER: M.FIACCO/M.BROWN 21-APR-09

APPROVED: C.CUMMISKEY/A.KUKLA 21-APR-09

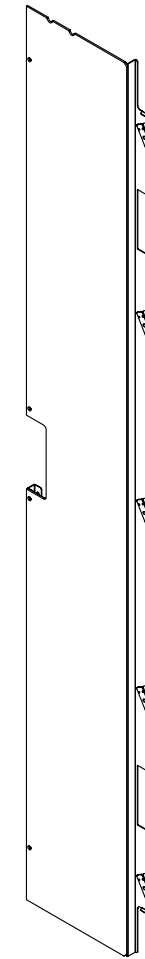
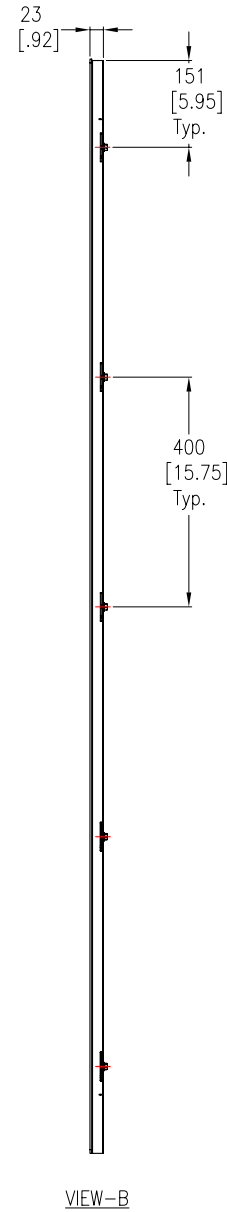
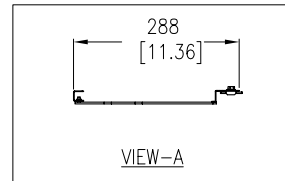
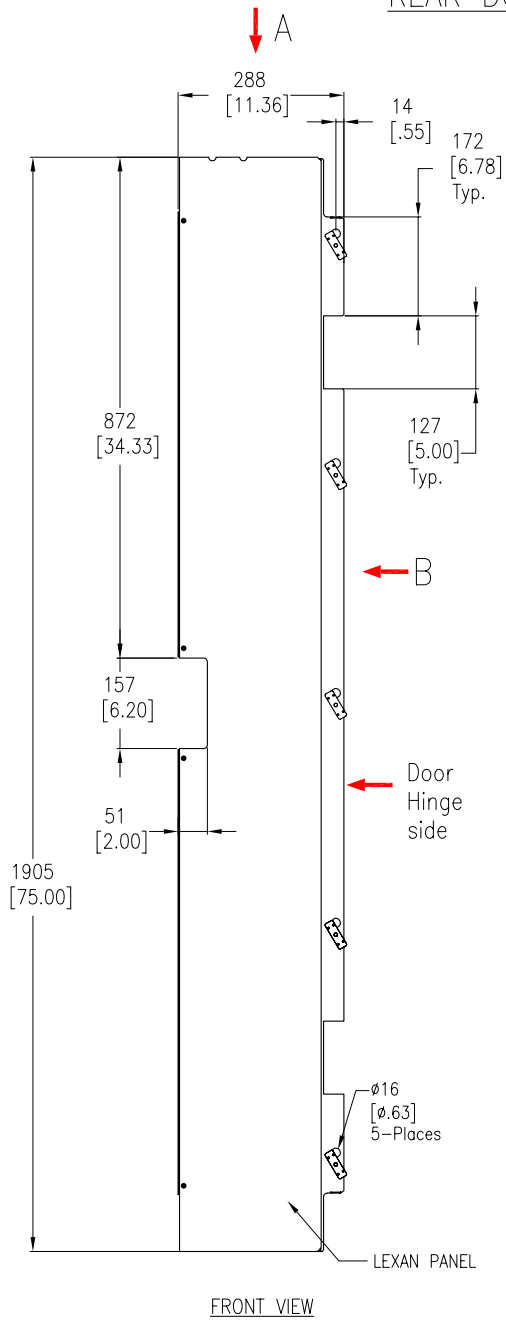
REV. 0

ANGLE

PROJECTION

N.A

# REAR DOOR (RIGHT)-ATTACHMENT



## NOTES:

1. INSTALLATION SHALL COMPLY WITH ALL APPLICABLE NATIONAL, STATE AND LOCAL CODES.
2. PLEASE REFER TO PRODUCT DOCUMENTATION FOR FURTHER INFORMATION.
3. UNLESS OTHERWISE SPECIFIED. ALL DIMENSIONS ARE IN MILLIMETERS [INCHES].

THIS DRAWING AND SPECIFICATIONS HEREIN ARE THE PROPERTY OF SCHNEIDER ELECTRIC AND SHALL NOT BE COPIED, REPRODUCED OR USED IN WHOLE OR IN PART, AS THE BASIS FOR THE MANUFACTURE OR SALE OF ITEMS WITHOUT WRITTEN PERMISSION FROM SCHNEIDER ELECTRIC. THIS DRAWING IS BASED UPON LATEST AVAILABLE INFORMATION AND IS SUBJECT TO CHANGE WITHOUT NOTICE.



## TITLE:

InRow SC SYSTEM  
2 In-Row SC, 1 RACK AND  
REAR CONTAINMENT  
REAR DOOR (RIGHT)-ATTACHMENT

PROJECT: SUBMITTAL DRAWINGS SHEET 8 OF 8

## DWG NO:

RACSC201-RACSC201E

DRAWN: C KRISHNA 21-APR-09

ENGINEER: M.FIACCO/M.BROWN 21-APR-09

APPROVED: C.CUMMISKEY/A.KUKLA 21-APR-09

REV. 0

ANGLE  
PROJECTION  
N.A.