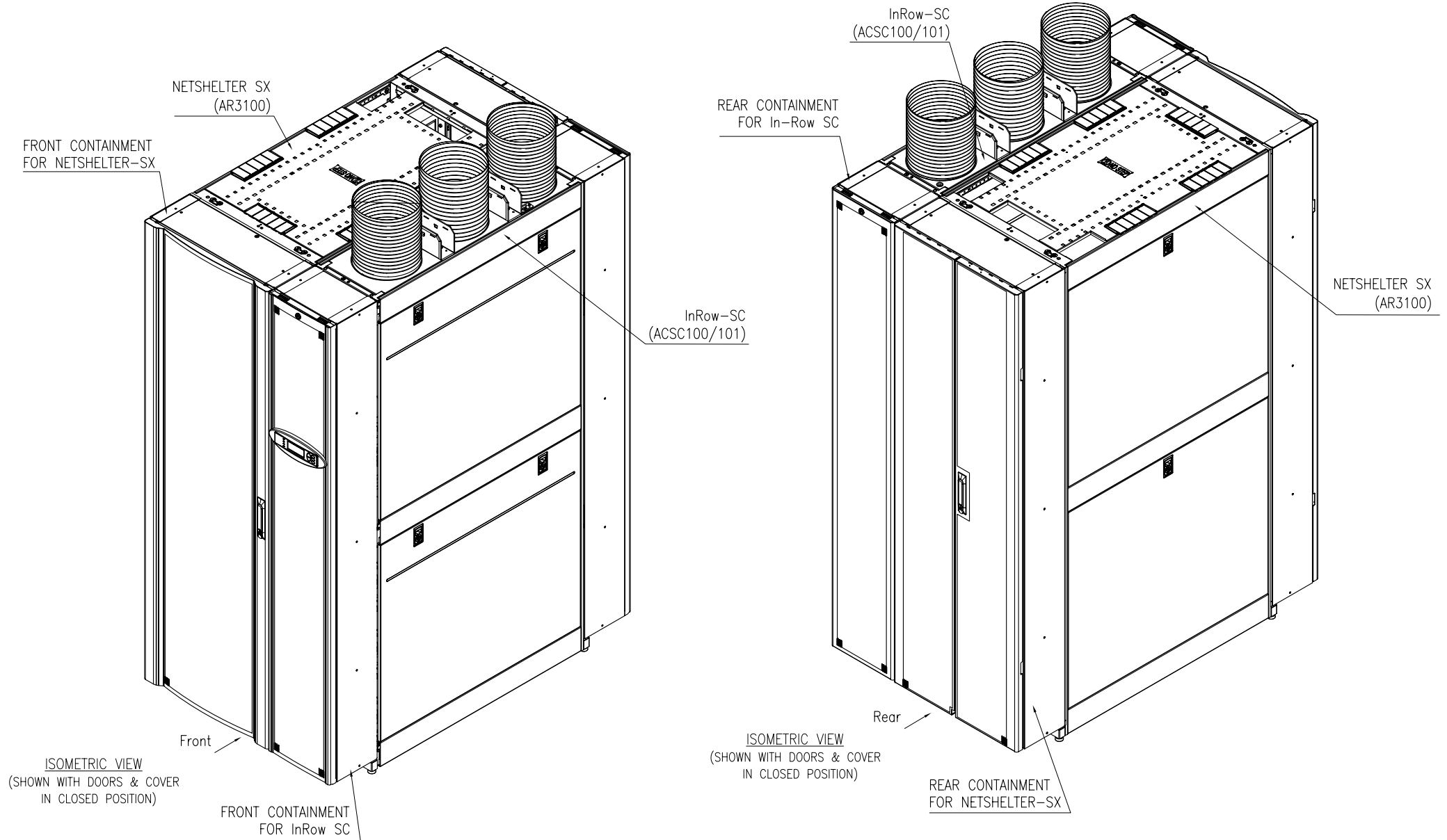


ASSEMBLY-InRow SC + SX RACK + FRONT & REAR CONTAINMENT



NOTES:

1. INSTALLATION SHALL COMPLY WITH ALL APPLICABLE NATIONAL, STATE AND LOCAL CODES.
2. PLEASE REFER TO PRODUCT DOCUMENTATION FOR FURTHER INFORMATION.
3. ALL DIMENSIONS ARE IN MILLIMETERS [INCHES], UNLESS OTHERWISE SPECIFIED.
4. NET WEIGHT OF THE UNIT IS 374.0 kg [823.3 LBS].
5. PLEASE REFER In-Row SC (ACSC100/ACSC101) AND NETSHELTER SX RACK (AR3100) FOR ADDITIONAL DETAILS.

THIS DRAWING AND SPECIFICATIONS HEREIN ARE THE PROPERTY OF SCHNEIDER ELECTRIC AND SHALL NOT BE COPIED, REPRODUCED OR USED IN WHOLE OR IN PART, AS THE BASIS FOR THE MANUFACTURE OR SALE OF ITEMS WITHOUT WRITTEN PERMISSION FROM SCHNEIDER ELECTRIC. THIS DRAWING IS BASED UPON LATEST AVAILABLE INFORMATION AND IS SUBJECT TO CHANGE WITHOUT NOTICE.

Schneider Electric

TITLE:

InRow SC SYSTEM
1 In-Row SC, 1 RACK AND
FRONT & REAR CONTAINMENT
TYPICAL ASSEMBLY

DWG NO:

RACSC112-RACSC112E

REV. 0

DRAWN: C KRISHNA

21-APR-09

ANGLE

ENGINEER: M.FIACCO/M.BROWN

21-APR-09

PROJECTION

PROJECT: SUBMITTAL DRAWINGS SHEET 1 OF 11

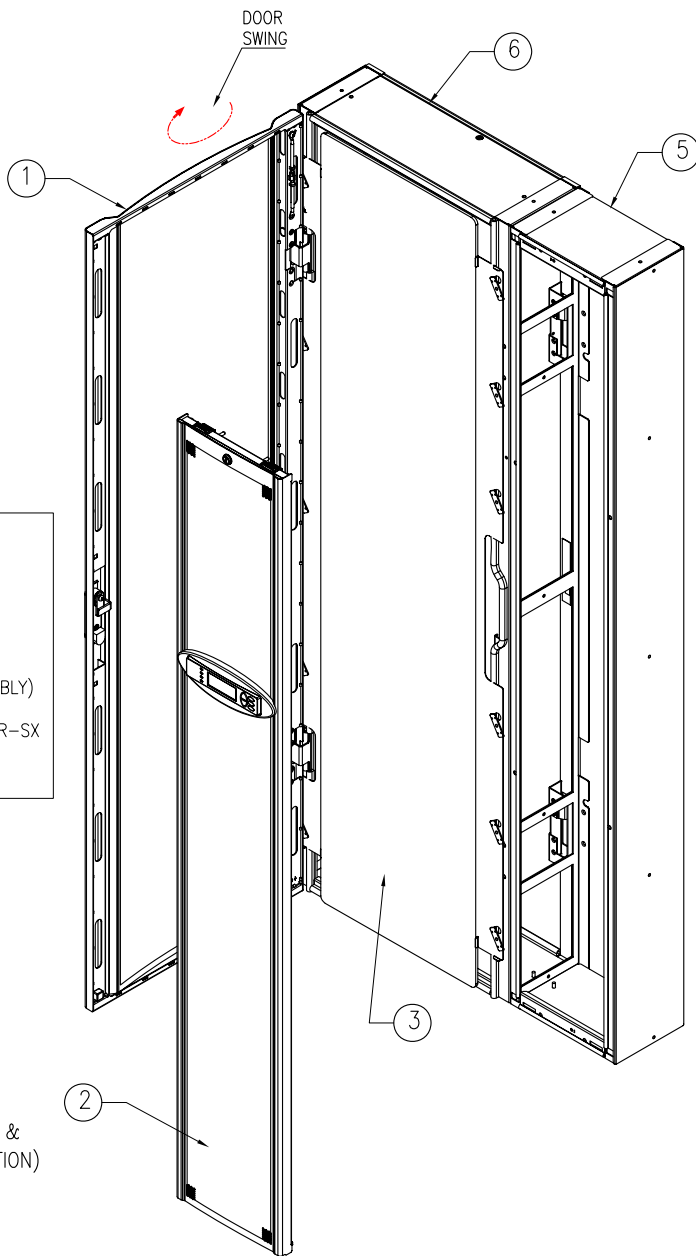
APPROVED: C.CUMMISKEY/A.KUKLA

21-APR-09

N.A.

ASSEMBLY-InRow SC + SX RACK + FRONT & REAR CONTAINMENT

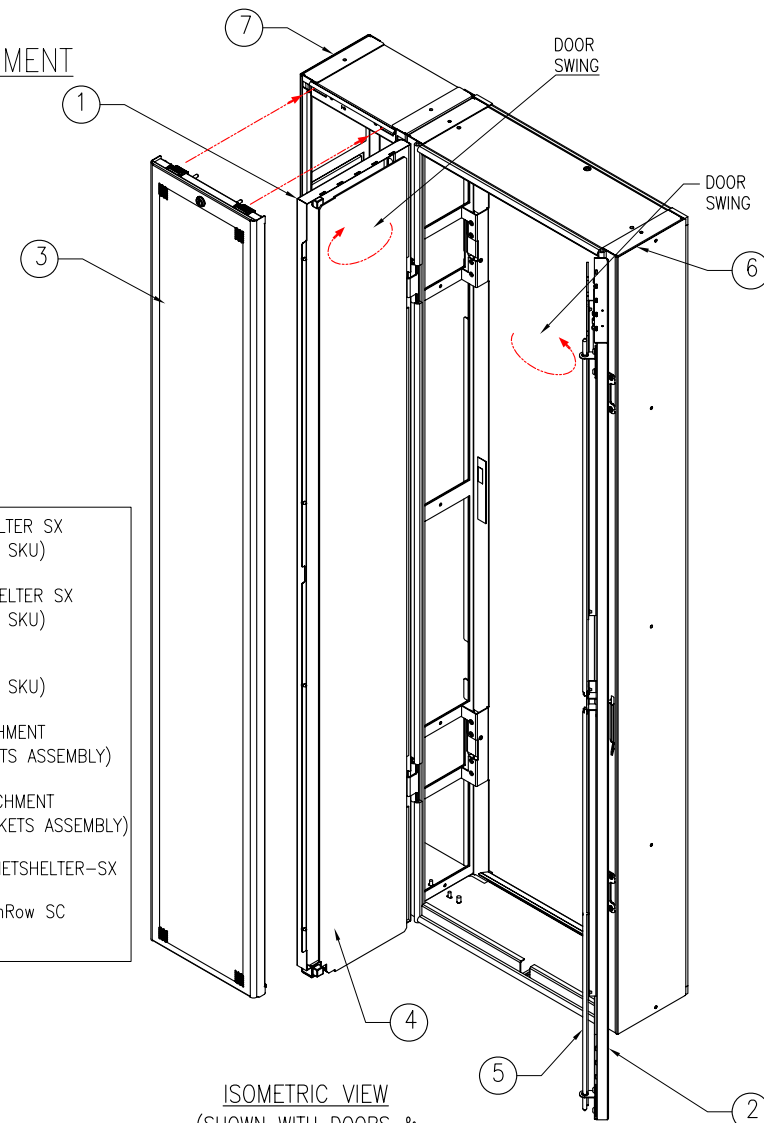
FRONT CONTAINMENT ASSEMBLY



- ① FRONT DOOR-NETSHELTER SX (NOT SUPPLIED WITH THIS SKU)
- ② FRONT COVER-InRow SC (NOT SUPPLIED WITH THIS SKU)
- ③ FRONT DOOR-ATTACHMENT (LEXAN INSERT & BRACKETS ASSEMBLY)
- ④ REAR CONTAINMENT FOR NETSHELTER-SX
- ⑤ REAR CONTAINMENT FOR InRow SC

ISOMETRIC VIEW (SHOWN WITH DOORS & COVER IN OPEN POSITION)

REAR CONTAINMENT ASSEMBLY



- ① REAR DOOR(LEFT)-NETSHELTER SX (NOT SUPPLIED WITH THIS SKU)
- ② REAR DOOR(RIGHT)-NETSHELTER SX (NOT SUPPLIED WITH THIS SKU)
- ③ REAR COVER-InRow SC (NOT SUPPLIED WITH THIS SKU)
- ④ REAR DOOR (LEFT)-ATTACHMENT (LEXAN INSERT & BRACKETS ASSEMBLY)
- ⑤ REAR DOOR (RIGHT)-ATTACHMENT (LEXAN INSERT AND BRACKETS ASSEMBLY)
- ⑥ REAR CONTAINMENT FOR NETSHELTER-SX
- ⑦ REAR CONTAINMENT FOR InRow SC

ISOMETRIC VIEW (SHOWN WITH DOORS & COVER IN OPEN POSITION)

NOTES:

1. INSTALLATION SHALL COMPLY WITH ALL APPLICABLE NATIONAL, STATE AND LOCAL CODES.
2. PLEASE REFER TO PRODUCT DOCUMENTATION FOR FURTHER INFORMATION.
3. ALL DIMENSIONS ARE IN MILLIMETERS [INCHES], UNLESS OTHERWISE SPECIFIED.
4. PLEASE REFER In-Row SC (ACSC100/ACSC101) AND NETSHELTER SX RACK (AR3100) FOR ADDITIONAL DETAILS.

THIS DRAWING AND SPECIFICATIONS HEREIN ARE THE PROPERTY OF SCHNEIDER ELECTRIC AND SHALL NOT BE COPIED, REPRODUCED OR USED IN WHOLE OR IN PART, AS THE BASIS FOR THE MANUFACTURE OR SALE OF ITEMS WITHOUT WRITTEN PERMISSION FROM SCHNEIDER ELECTRIC. THIS DRAWING IS BASED UPON LATEST AVAILABLE INFORMATION AND IS SUBJECT TO CHANGE WITHOUT NOTICE.

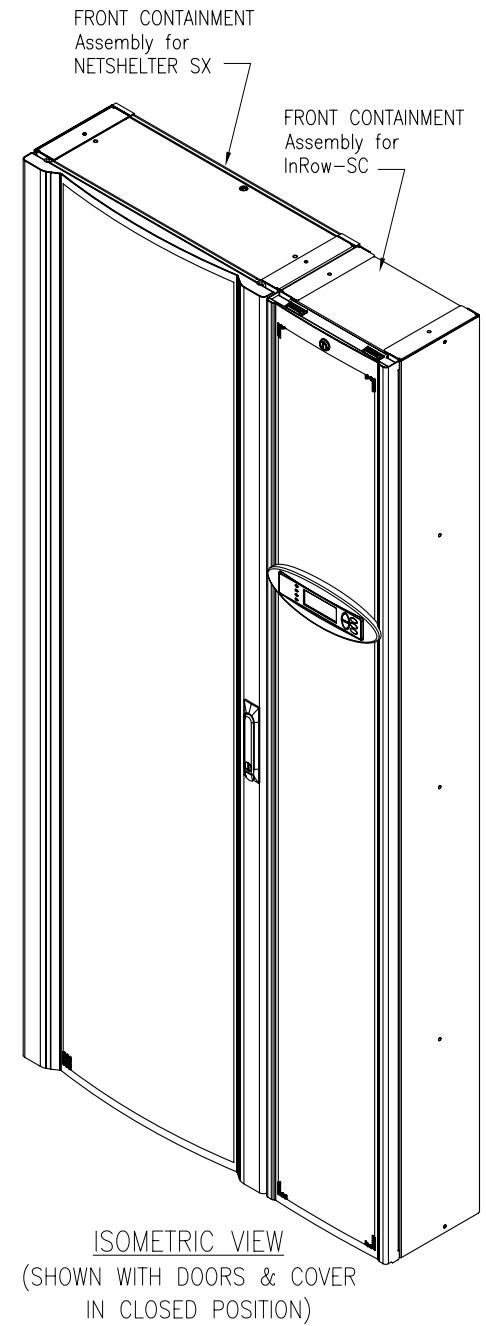
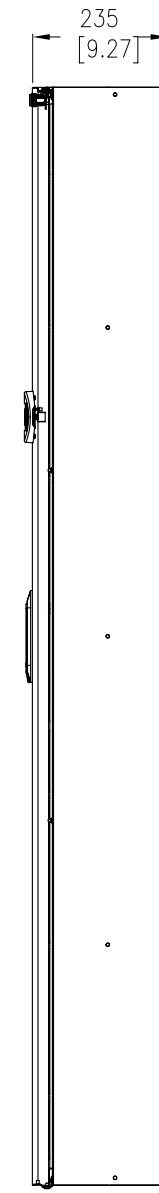
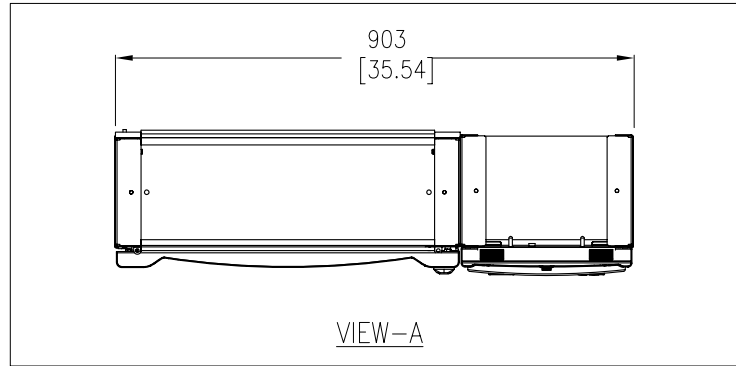
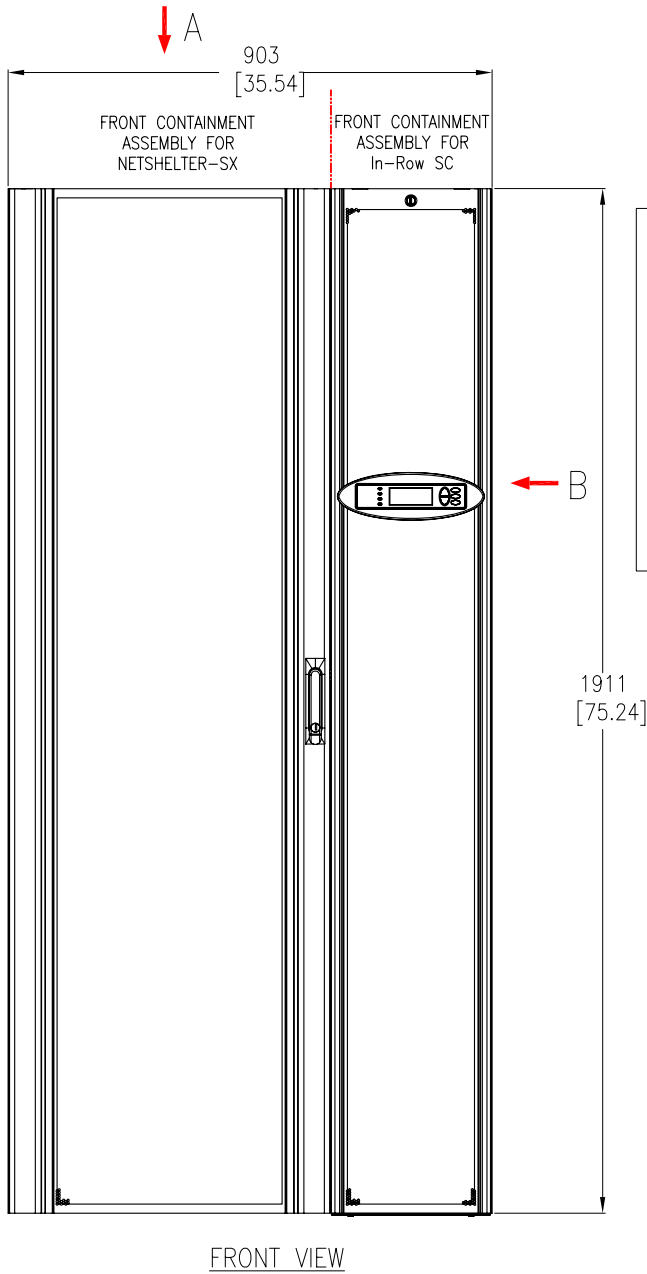


TITLE: InRow SC SYSTEM
1 In-Row SC, 1 RACK AND FRONT & REAR CONTAINMENT ASSEMBLY-ISOMETRIC VIEW
PROJECT: SUBMITTAL DRAWINGS SHEET 2 OF 11

DWG NO: RACSC112-RACSC112E	REV. 0
DRAWN: C KRISHNA	21-APR-09
ENGINEER: M.FIACCO/M.BROWN	21-APR-09
APPROVED: C.CUMMISKEY/A.KUKLA	21-APR-09

ANGLE PROJECTION N.A.

FRONT CONTAINMENT-ASSEMBLY



NOTES:

1. INSTALLATION SHALL COMPLY WITH ALL APPLICABLE NATIONAL, STATE AND LOCAL CODES.
2. PLEASE REFER TO PRODUCT DOCUMENTATION FOR FURTHER INFORMATION.
3. ALL DIMENSIONS ARE IN MILLIMETERS [INCHES], UNLESS OTHERWISE SPECIFIED.

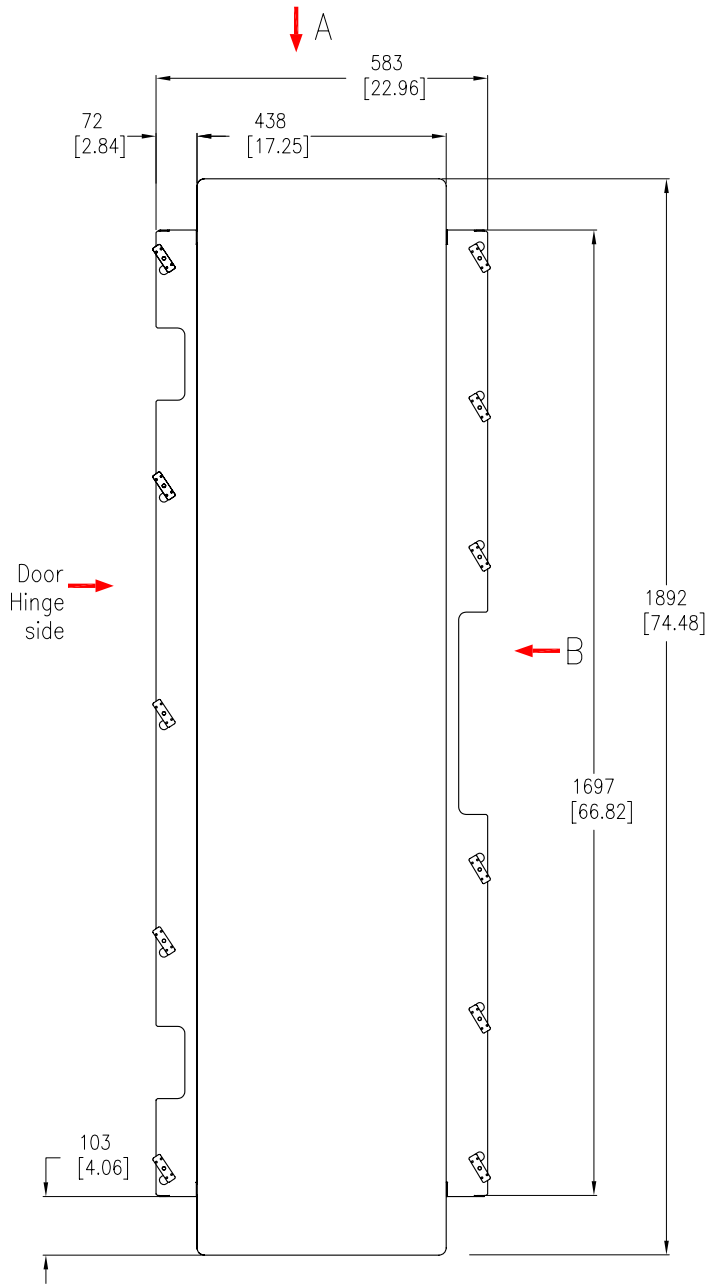
THIS DRAWING AND SPECIFICATIONS HEREIN ARE THE PROPERTY OF SCHNEIDER ELECTRIC AND SHALL NOT BE COPIED, REPRODUCED OR USED IN WHOLE OR IN PART, AS THE BASIS FOR THE MANUFACTURE OR SALE OF ITEMS WITHOUT WRITTEN PERMISSION FROM SCHNEIDER ELECTRIC. THIS DRAWING IS BASED UPON LATEST AVAILABLE INFORMATION AND IS SUBJECT TO CHANGE WITHOUT NOTICE.



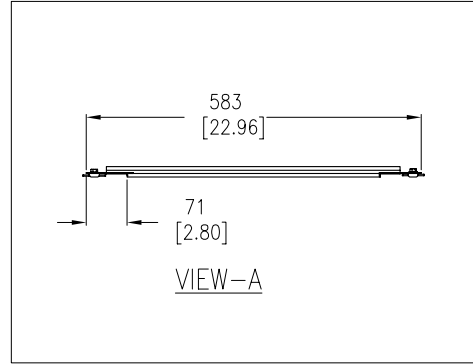
TITLE:
1 In-Row SC SYSTEM
1 In-Row SC, 1 RACK AND
FRONT & REAR CONTAINMENT
FRONT CONTAINMENT-ASSEMBLY
PROJECT: SUBMITTAL DRAWINGS SHEET 3 OF 11

DWG NO:	RACSC112-RACSC112E	REV:	0
DRAWN:	C KRISHNA	21-APR-09	ANGLE
ENGINEER:	M.FIACCO/M.BROWN	21-APR-09	PROJECTION
APPROVED:	C.CUMMISKEY/A.KUKLA	21-APR-09	N.A

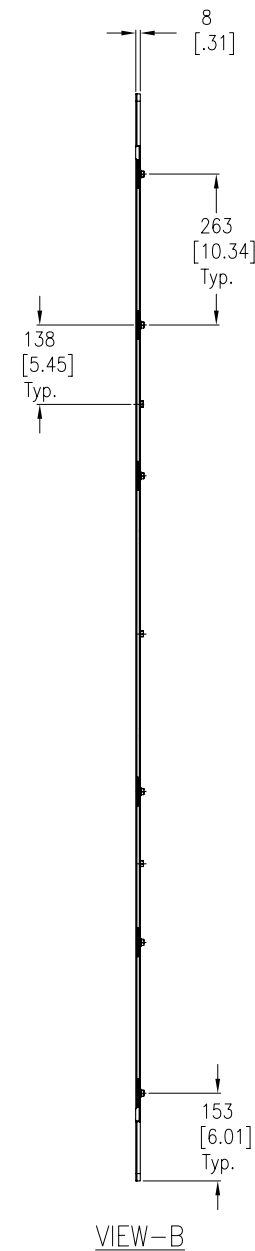
NETSHELTER-FRONT DOOR ATTACHMENT



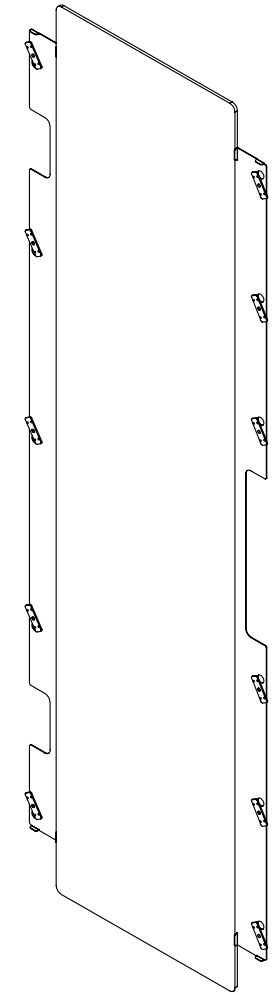
FRONT VIEW



VIEW-A



VIEW-B



ISOMETRIC VIEW

NOTES:

1. INSTALLATION SHALL COMPLY WITH ALL APPLICABLE NATIONAL, STATE AND LOCAL CODES.
2. PLEASE REFER TO PRODUCT DOCUMENTATION FOR FURTHER INFORMATION.
3. ALL DIMENSIONS ARE IN MILLIMETERS [INCHES], UNLESS OTHERWISE SPECIFIED.

THIS DRAWING AND SPECIFICATIONS HEREIN ARE THE PROPERTY OF SCHNEIDER ELECTRIC AND SHALL NOT BE COPIED, REPRODUCED OR USED IN WHOLE OR IN PART, AS THE BASIS FOR THE MANUFACTURE OR SALE OF ITEMS WITHOUT WRITTEN PERMISSION FROM SCHNEIDER ELECTRIC. THIS DRAWING IS BASED UPON LATEST AVAILABLE INFORMATION AND IS SUBJECT TO CHANGE WITHOUT NOTICE.

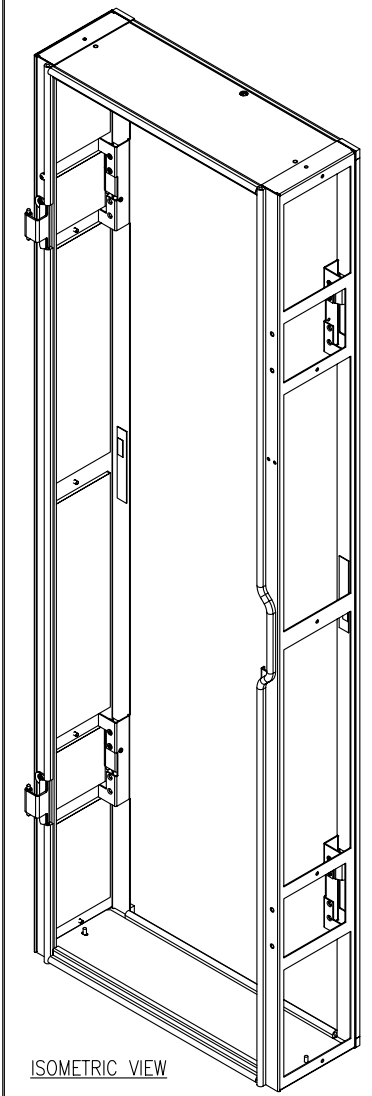
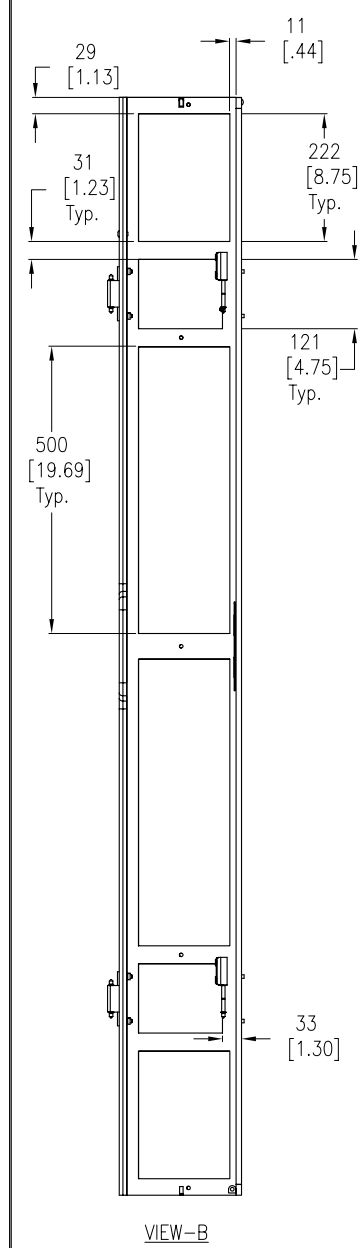
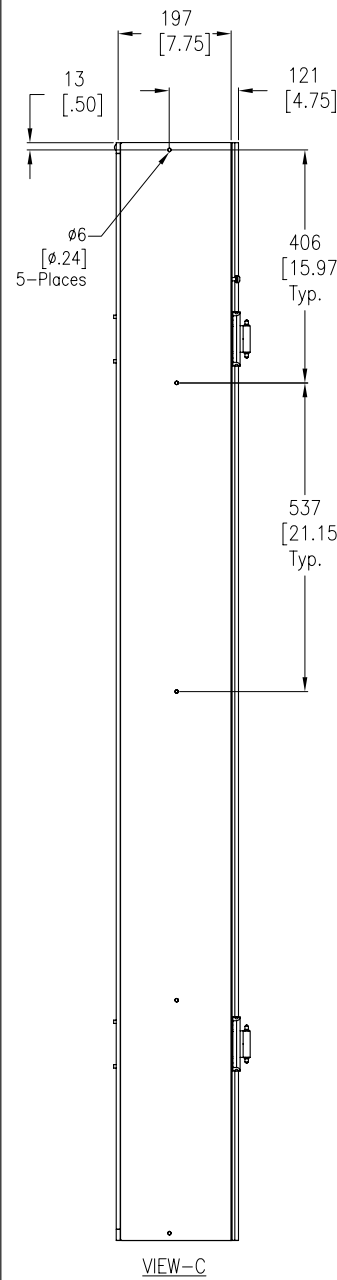
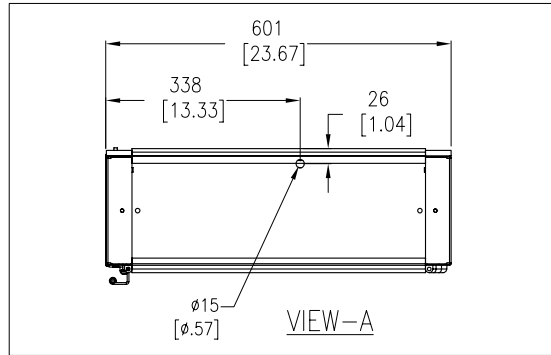
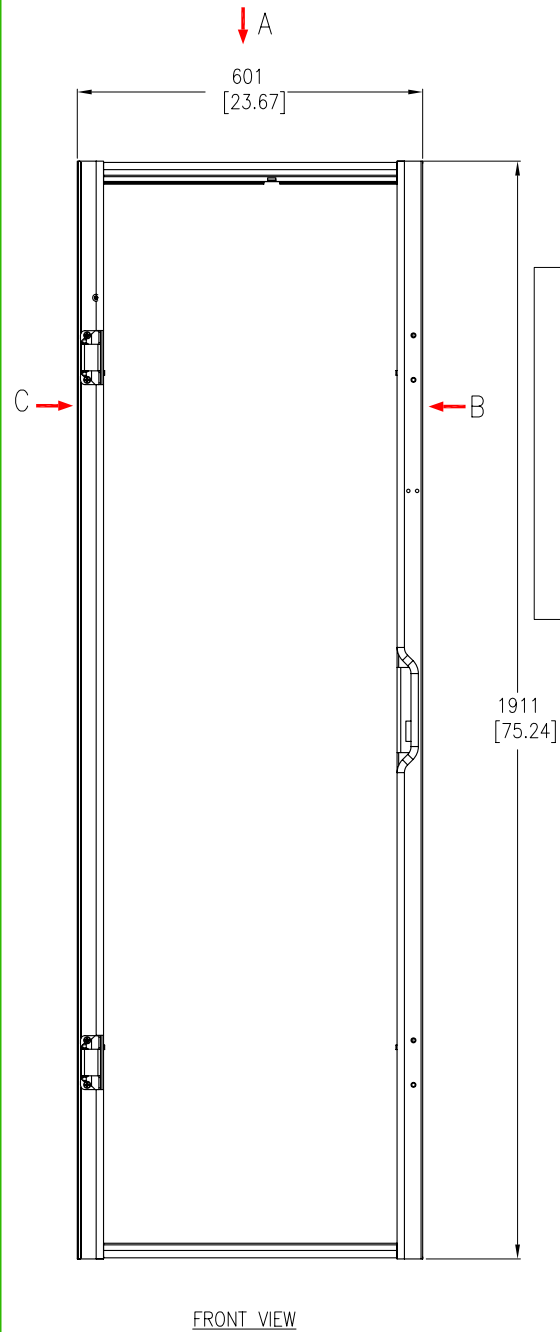


TITLE:
InRow SC SYSTEM
1 In-Row SC, 1 RACK AND
FRONT & REAR CONTAINMENT
NETSHELTER-FRONT DOOR ATTACHMENT
PROJECT: SUBMITTAL DRAWINGS SHEET 4 OF 11

DWG NO: RACSC112-RACSC112E
DRAWN: C KRISHNA 21-APR-09
ENGINEER: M.FIACCO/M.BROWN 21-APR-09
APPROVED: C.CUMMISKEY/A.KUKLA 21-APR-09

REV. 0
ANGLE PROJECTION
N.A.

NETSHELTER SX-FRONT CONTAINMENT-ASSEMBLY DETAILS



FRONT VIEW

VIEW-C

VIEW-B

ISOMETRIC VIEW

NOTES:

1. INSTALLATION SHALL COMPLY WITH ALL APPLICABLE NATIONAL, STATE AND LOCAL CODES.
2. PLEASE REFER TO PRODUCT DOCUMENTATION FOR FURTHER INFORMATION.
3. ALL DIMENSIONS ARE IN MILLIMETERS [INCHES], UNLESS OTHERWISE SPECIFIED.

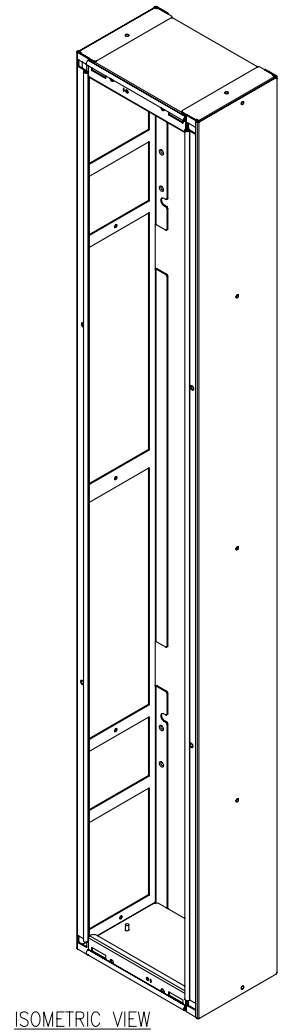
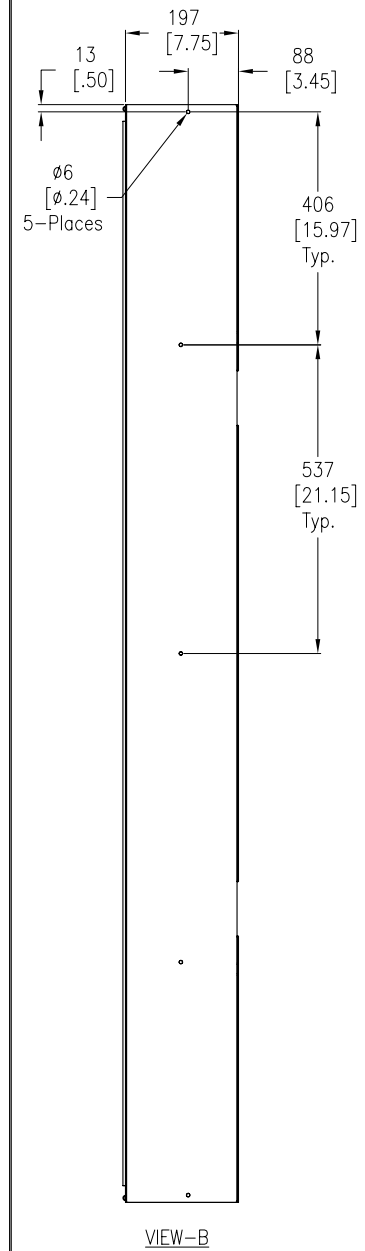
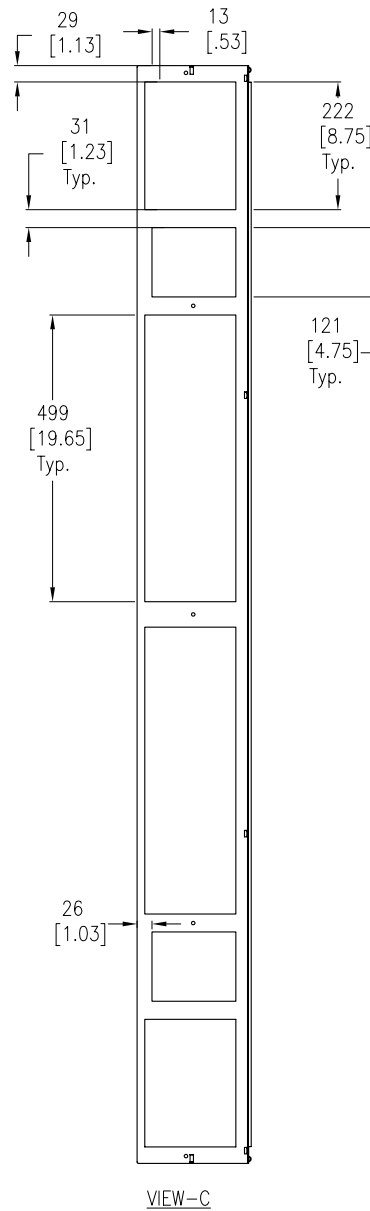
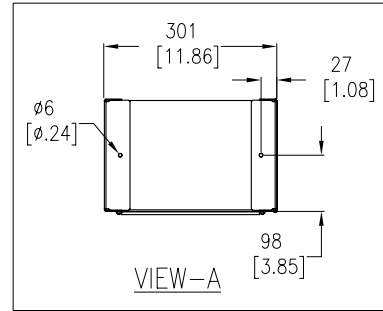
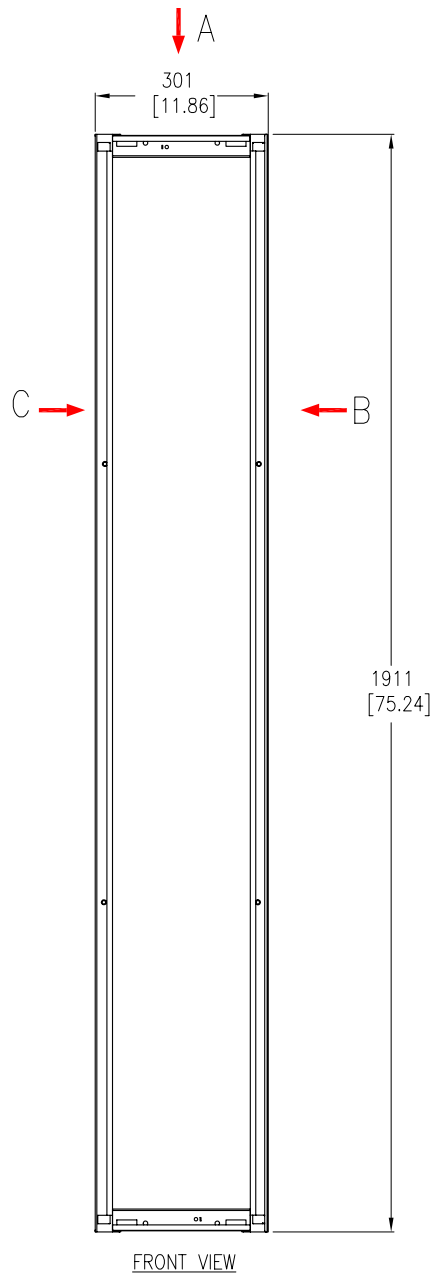
THIS DRAWING AND SPECIFICATIONS HEREIN ARE THE PROPERTY OF SCHNEIDER ELECTRIC AND SHALL NOT BE COPIED, REPRODUCED OR USED IN WHOLE OR IN PART, AS THE BASIS FOR THE MANUFACTURE OR SALE OF ITEMS WITHOUT WRITTEN PERMISSION FROM SCHNEIDER ELECTRIC. THIS DRAWING IS BASED UPON LATEST AVAILABLE INFORMATION AND IS SUBJECT TO CHANGE WITHOUT NOTICE.



TITLE:
InRow SC SYSTEM
1 In-Row SC, 1 RACK AND
FRONT & REAR CONTAINMENT
NETSHELTER FRONT CONTAINMENT-ASSEMBLY DETAILS
PROJECT: SUBMITTAL DRAWINGS SHEET 5 OF 11

DWG NO:	RACSC112-RACSC112E	REV:	0
DRAWN:	C KRISHNA	DATE:	21-APR-09
ENGINEER:	M.FIACCO/M.BROWN	DATE:	21-APR-09
APPROVED:	C.CUMMISKEY/A.KUKLA	DATE:	21-APR-09
		ANGLE PROJECTION:	N.A

InRow SC-FRONT CONTAINMENT-ASSEMBLY DETAILS



NOTES:

1. INSTALLATION SHALL COMPLY WITH ALL APPLICABLE NATIONAL, STATE AND LOCAL CODES.
2. PLEASE REFER TO PRODUCT DOCUMENTATION FOR FURTHER INFORMATION.
3. ALL DIMENSIONS ARE IN MILLIMETERS [INCHES], UNLESS OTHERWISE SPECIFIED.

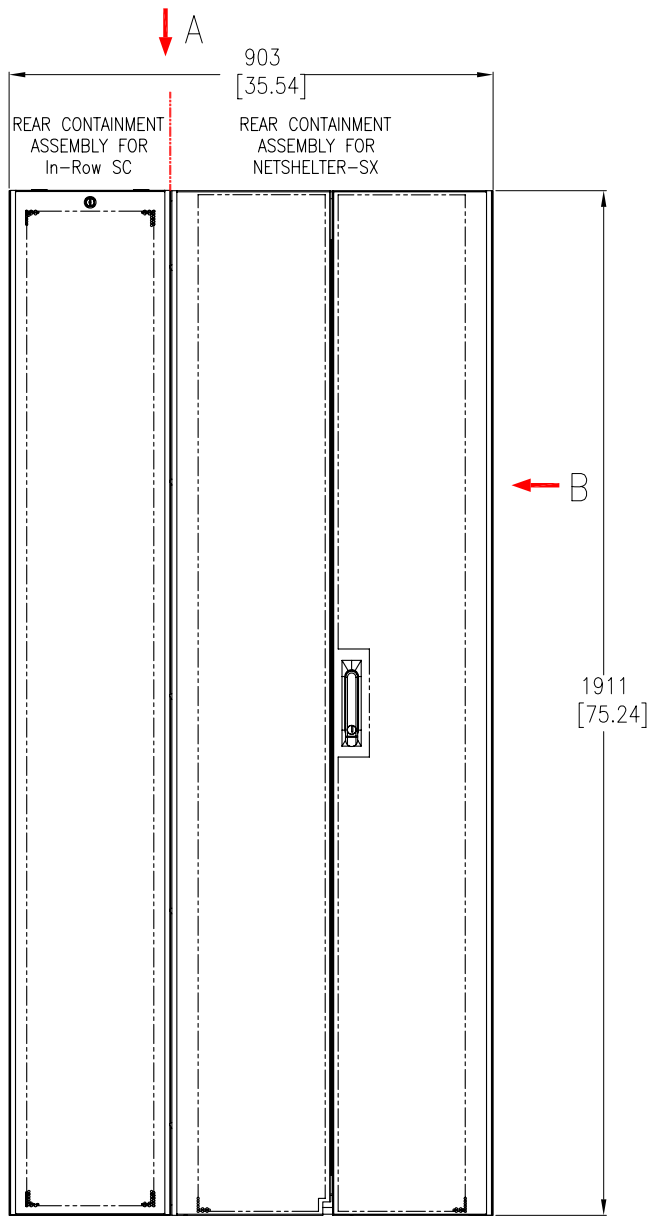
THIS DRAWING AND SPECIFICATIONS HEREIN ARE THE PROPERTY OF SCHNEIDER ELECTRIC AND SHALL NOT BE COPIED, REPRODUCED OR USED IN WHOLE OR IN PART, AS THE BASIS FOR THE MANUFACTURE OR SALE OF ITEMS WITHOUT WRITTEN PERMISSION FROM SCHNEIDER ELECTRIC. THIS DRAWING IS BASED UPON LATEST AVAILABLE INFORMATION AND IS SUBJECT TO CHANGE WITHOUT NOTICE.



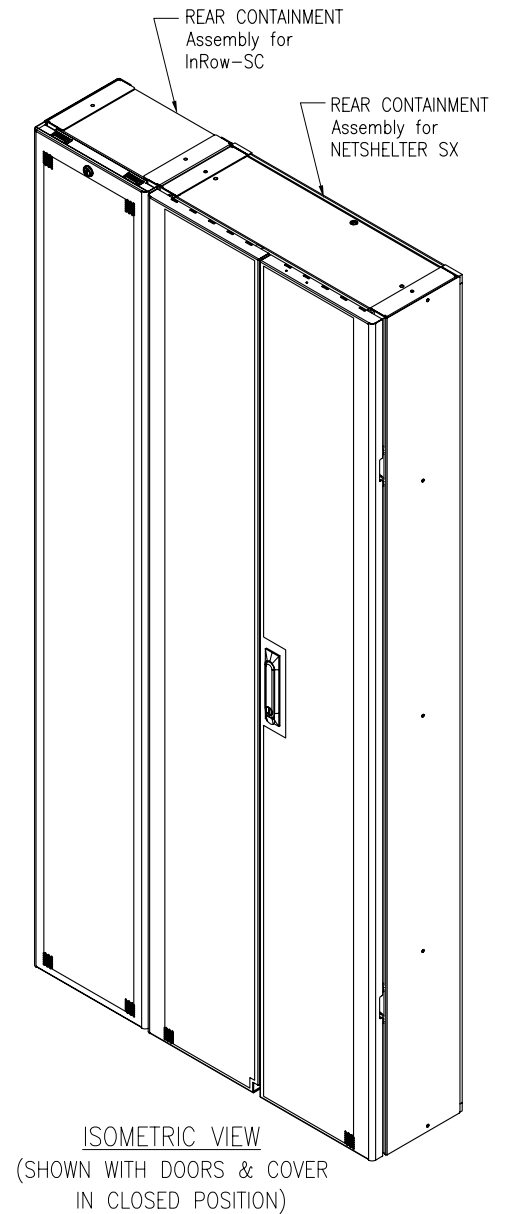
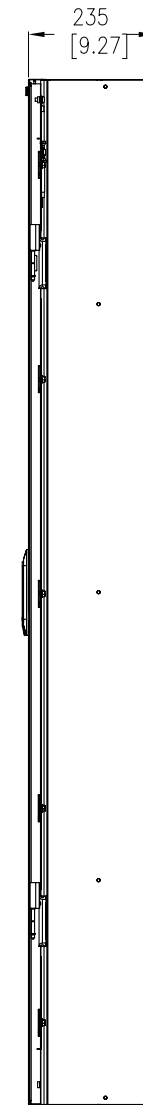
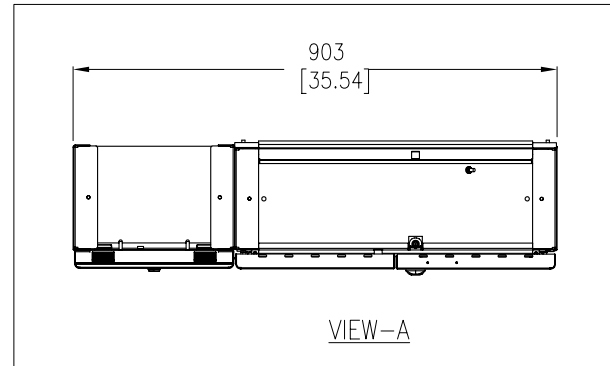
TITLE:
InRow SC SYSTEM
1 In-Row SC, 1 RACK AND
FRONT & REAR CONTAINMENT
InRow SC FRONT CONTAINMENT-ASSEMBLY DETAILS
PROJECT: SUBMITTAL DRAWINGS SHEET 6 OF 11

DWG NO:	RACSC112-RACSC112E	REV:	0
DRAWN:	C KRISHNA	21-APR-09	ANGLE
ENGINEER:	M.FIACCO/M.BROWN	21-APR-09	PROJECTION
APPROVED:	C.CUMMISKEY/A.KUKLA	21-APR-09	N.A.

FRONT CONTAINMENT-ASSEMBLY



FRONT VIEW



NOTES:

1. INSTALLATION SHALL COMPLY WITH ALL APPLICABLE NATIONAL, STATE AND LOCAL CODES.
2. PLEASE REFER TO PRODUCT DOCUMENTATION FOR FURTHER INFORMATION.
3. ALL DIMENSIONS ARE IN MILLIMETERS [INCHES], UNLESS OTHERWISE SPECIFIED.

THIS DRAWING AND SPECIFICATIONS HEREIN ARE THE PROPERTY OF SCHNEIDER ELECTRIC AND SHALL NOT BE COPIED, REPRODUCED OR USED IN WHOLE OR IN PART, AS THE BASIS FOR THE MANUFACTURE OR SALE OF ITEMS WITHOUT WRITTEN PERMISSION FROM SCHNEIDER ELECTRIC. THIS DRAWING IS BASED UPON LATEST AVAILABLE INFORMATION AND IS SUBJECT TO CHANGE WITHOUT NOTICE.

Schneider Electric

TITLE:

InRow SC SYSTEM
1 In-Row SC, 1 RACK AND
FRONT & REAR CONTAINMENT
REAR CONTAINMENT-ASSEMBLY

PROJECT: SUBMITTAL DRAWINGS SHEET 7 OF 11

DWG NO:

RACSC112-RACSC112E

DRAWN: C KRISHNA 21-APR-09

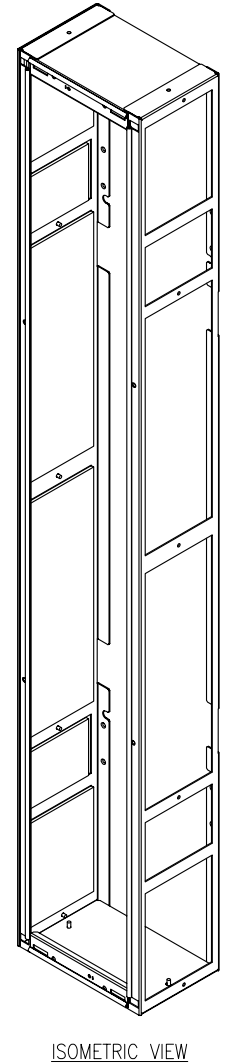
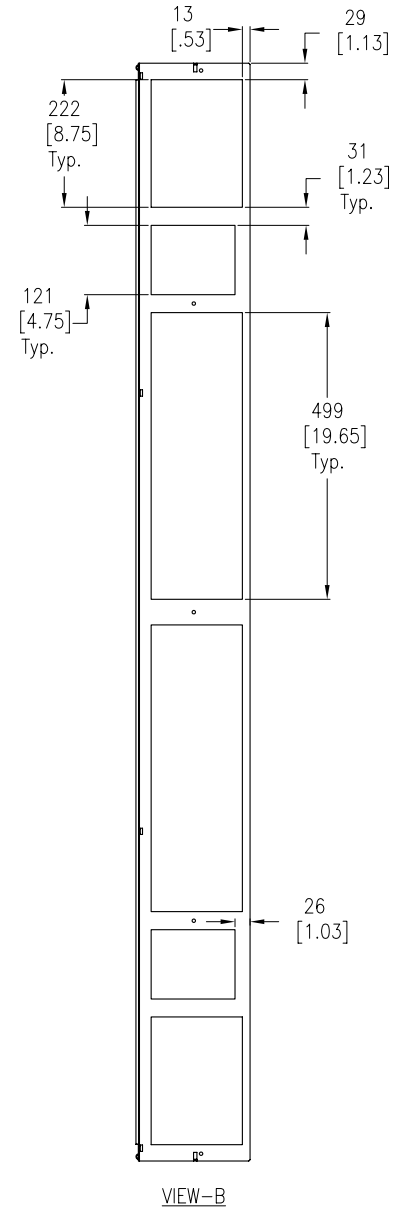
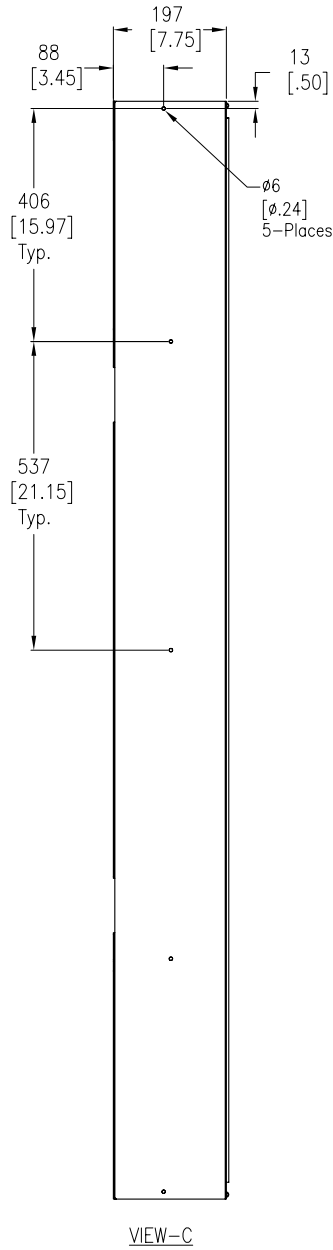
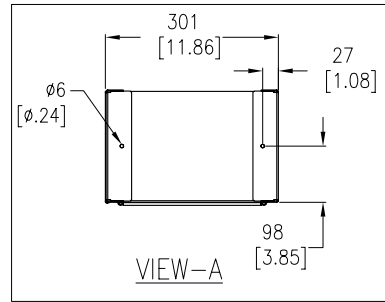
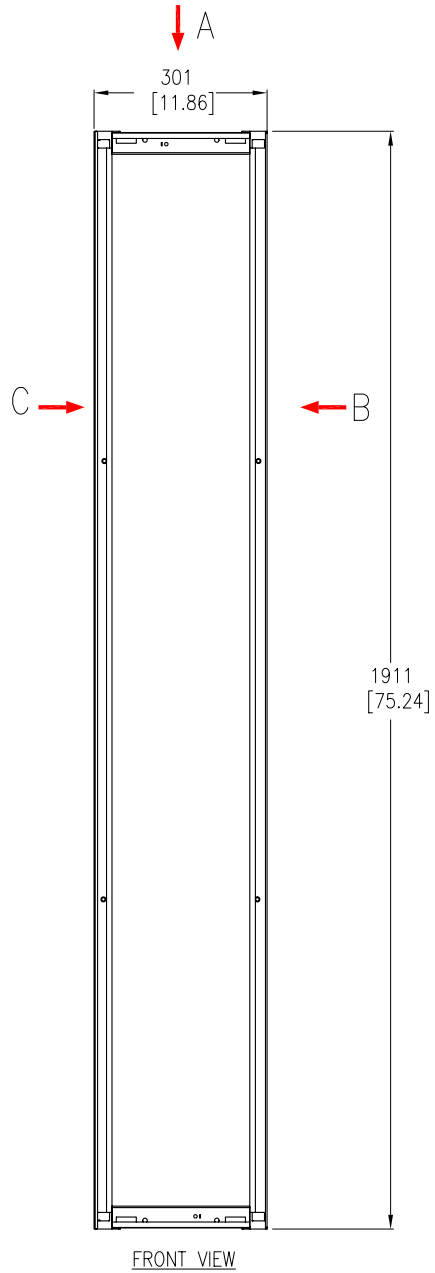
ENGINEER: M.FIACCO/M.BROWN 21-APR-09

APPROVED: C.CUMMISKEY/A.KUKLA 21-APR-09

REV. 0

ANGLE
PROJECTION
N.A.

InRow SC REAR CONTAINMENT



NOTES:

1. INSTALLATION SHALL COMPLY WITH ALL APPLICABLE NATIONAL, STATE AND LOCAL CODES.
2. PLEASE REFER TO PRODUCT DOCUMENTATION FOR FURTHER INFORMATION.
3. ALL DIMENSIONS ARE IN MILLIMETERS [INCHES], UNLESS OTHERWISE SPECIFIED.
4. FOR ADDITIONAL DETAILS REFER TO SKU-ACCS1000 & ACCS1002

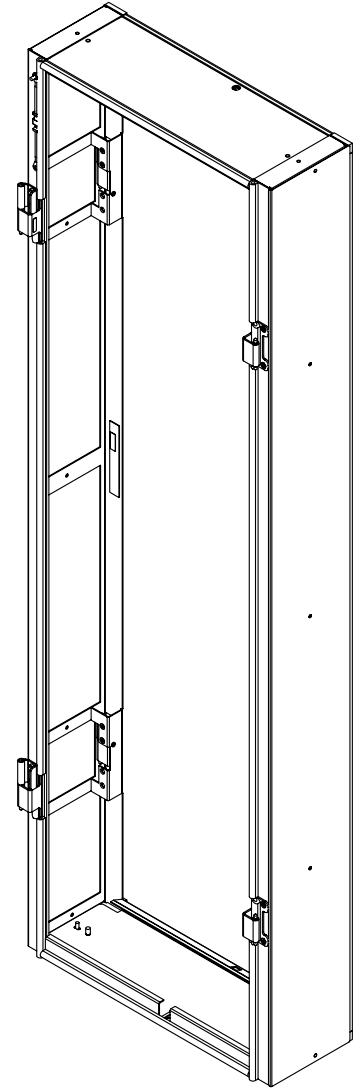
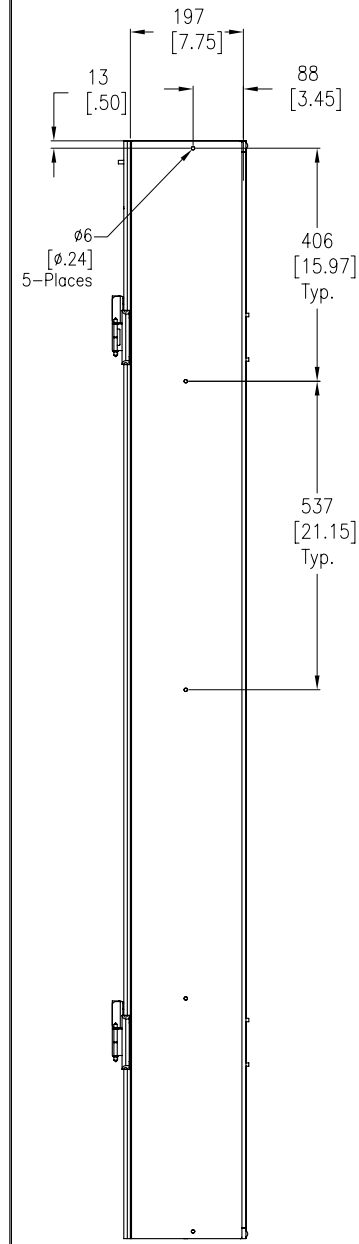
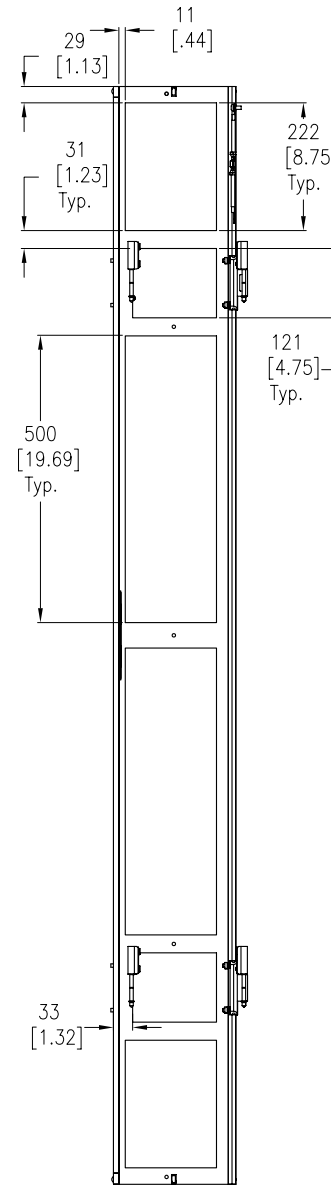
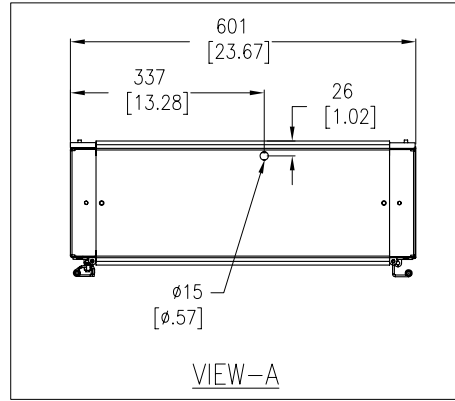
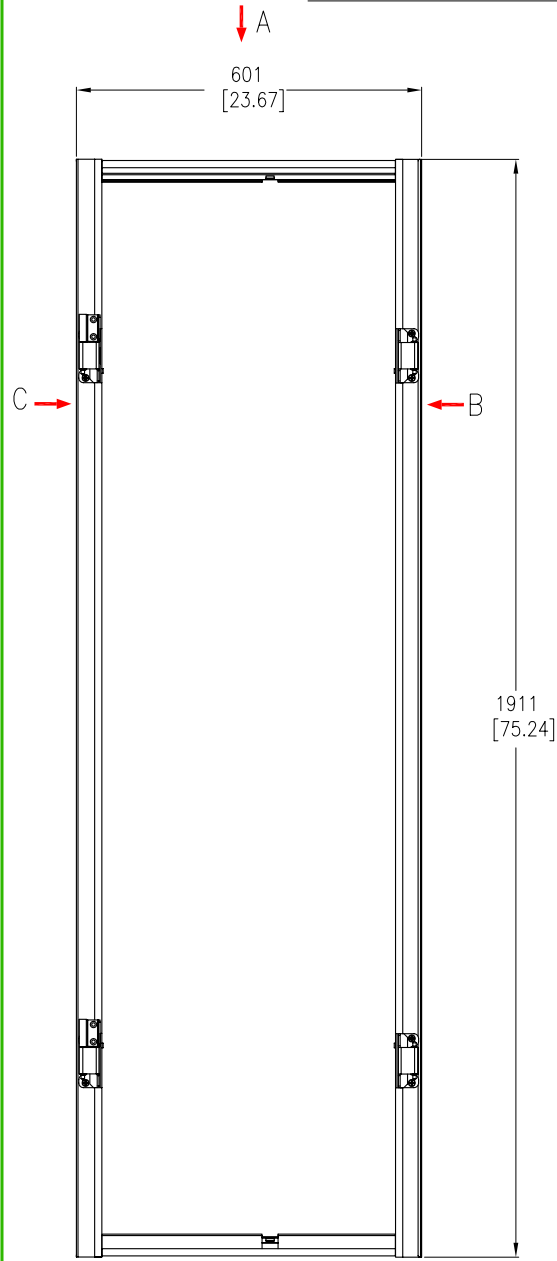
THIS DRAWING AND SPECIFICATIONS HEREIN ARE THE PROPERTY OF SCHNEIDER ELECTRIC AND SHALL NOT BE COPIED, REPRODUCED OR USED IN WHOLE OR IN PART, AS THE BASIS FOR THE MANUFACTURE OR SALE OF ITEMS WITHOUT WRITTEN PERMISSION FROM SCHNEIDER ELECTRIC. THIS DRAWING IS BASED UPON LATEST AVAILABLE INFORMATION AND IS SUBJECT TO CHANGE WITHOUT NOTICE.



TITLE: InRow SC SYSTEM
1 In-Row SC, 1 RACK AND FRONT & REAR CONTAINMENT
InRow SC REAR CONTAINMENT-ASSEMBLY DETAILS
PROJECT: SUBMITTAL DRAWINGS SHEET 8 OF 11

DWG NO: RACSC112-RACSC112E REV. 0
DRAWN: C KRISHNA 21-APR-09
ENGINEER: M.FIACCO/M.BROWN 21-APR-09
APPROVED: C.CUMMISKEY/A.KUKLA 21-APR-09
ANGLE PROJECTION N.A

NETSHELTER SX-REAR CONTAINMENT



FRONT VIEW

VIEW-C

VIEW-B

ISOMETRIC VIEW

NOTES:

1. INSTALLATION SHALL COMPLY WITH ALL APPLICABLE NATIONAL, STATE AND LOCAL CODES.
2. PLEASE REFER TO PRODUCT DOCUMENTATION FOR FURTHER INFORMATION.
3. ALL DIMENSIONS ARE IN MILLIMETERS [INCHES], UNLESS OTHERWISE SPECIFIED.
4. FOR ADDITIONAL DETAILS REFER TO SKU-ACCS1001 & ACCS1002

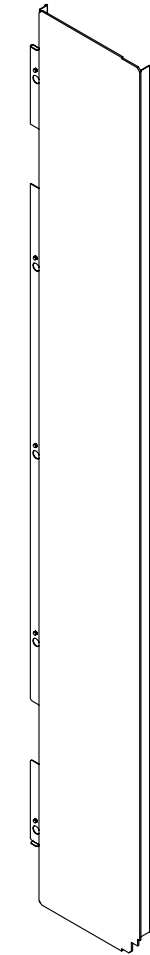
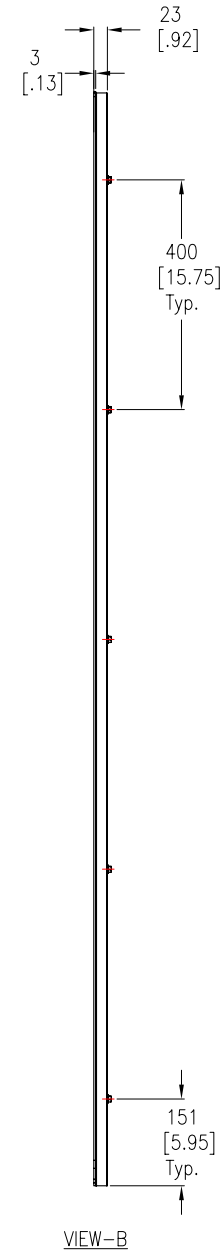
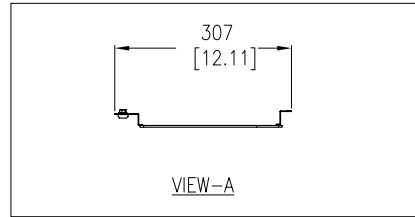
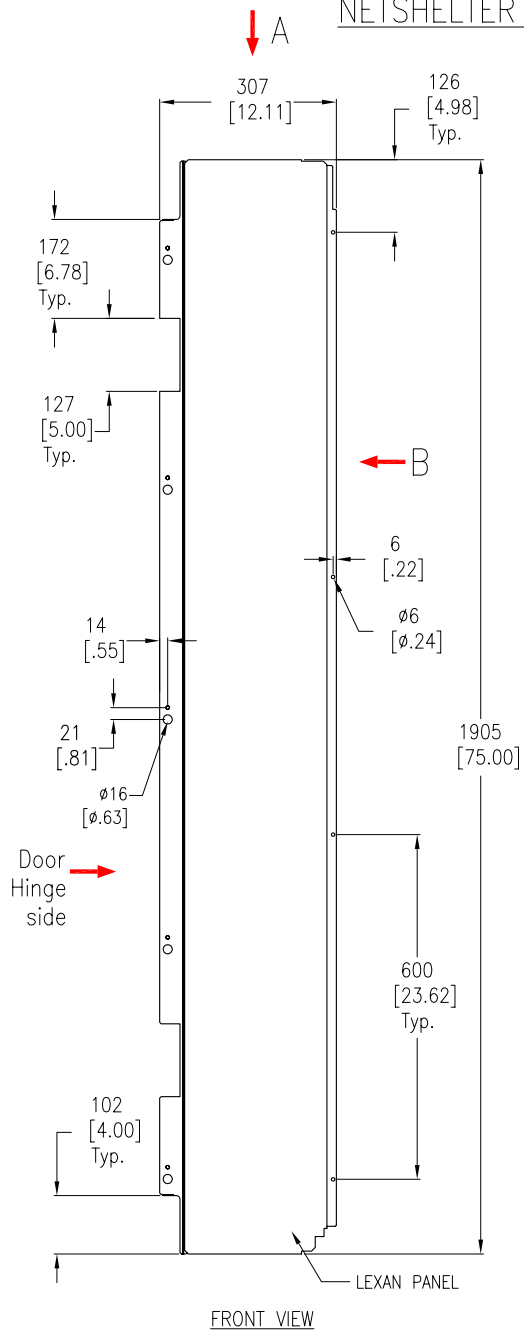
THIS DRAWING AND SPECIFICATIONS HEREIN ARE THE PROPERTY OF SCHNEIDER ELECTRIC AND SHALL NOT BE COPIED, REPRODUCED OR USED IN WHOLE OR IN PART, AS THE BASIS FOR THE MANUFACTURE OR SALE OF ITEMS WITHOUT WRITTEN PERMISSION FROM SCHNEIDER ELECTRIC. THIS DRAWING IS BASED UPON LATEST AVAILABLE INFORMATION AND IS SUBJECT TO CHANGE WITHOUT NOTICE.



TITLE: InRow SC SYSTEM
1 In-Row SC, 1 RACK AND
FRONT & REAR CONTAINMENT
NETSHELTER REAR CONTAINMENT-ASSEMBLY DETAILS
PROJECT: SUBMITTAL DRAWINGS SHEET 9 OF 11

DWG NO:	RACSC112-RACSC112E	REV:	0
DRAWN:	C KRISHNA	21-APR-09	ANGLE
ENGINEER:	M.FIACCO/M.BROWN	21-APR-09	PROJECTION
APPROVED:	C.CUMMISKEY/A.KUKLA	21-APR-09	N.A

NETSHELTER REAR DOOR (LEFT)-ATTACHMENT



NOTES:

1. INSTALLATION SHALL COMPLY WITH ALL APPLICABLE NATIONAL, STATE AND LOCAL CODES.
2. PLEASE REFER TO PRODUCT DOCUMENTATION FOR FURTHER INFORMATION.
3. ALL DIMENSIONS ARE IN MILLIMETERS [INCHES], UNLESS OTHERWISE SPECIFIED.

THIS DRAWING AND SPECIFICATIONS HEREIN ARE THE PROPERTY OF SCHNEIDER ELECTRIC AND SHALL NOT BE COPIED, REPRODUCED OR USED IN WHOLE OR IN PART, AS THE BASIS FOR THE MANUFACTURE OR SALE OF ITEMS WITHOUT WRITTEN PERMISSION FROM SCHNEIDER ELECTRIC. THIS DRAWING IS BASED UPON LATEST AVAILABLE INFORMATION AND IS SUBJECT TO CHANGE WITHOUT NOTICE.

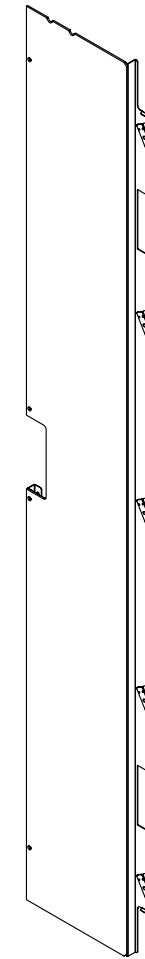
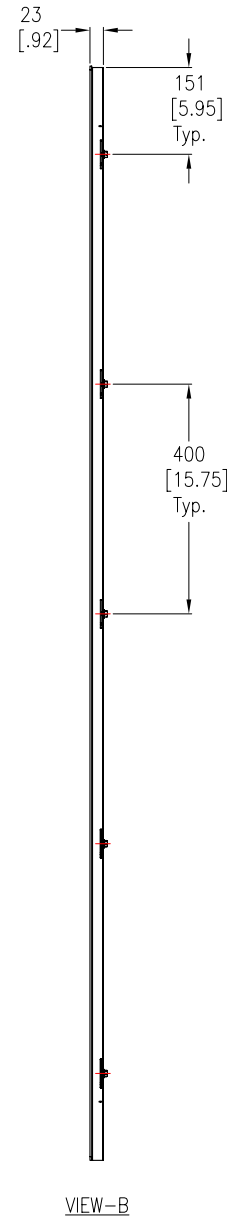
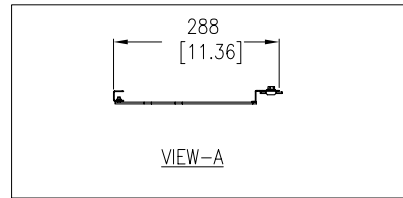
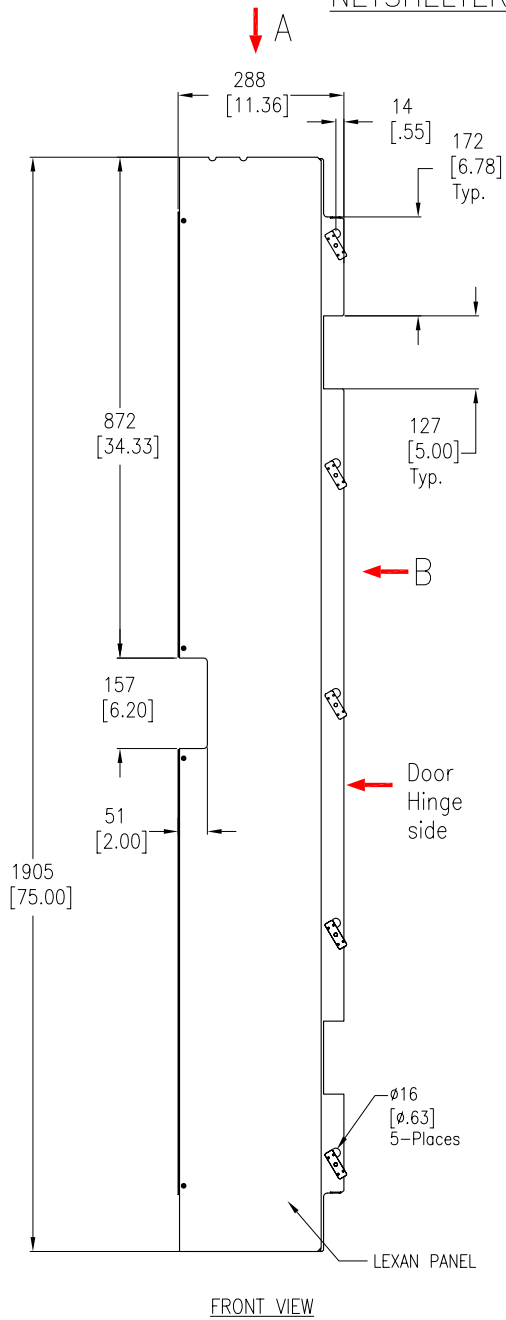


TITLE: InRow SC SYSTEM
 1 In-Row SC, 1 RACK AND
 FRONT & REAR CONTAINMENT
 NETSHELTER REAR DOOR (LEFT)-ATTACHMENT
 PROJECT: SUBMITTAL DRAWINGS SHEET 10 OF 11

DWG NO: RACSC112-RACSC112E
 DRAWN: C KRISHNA 21-APR-09
 ENGINEER: M.FIACCO/M.BROWN 21-APR-09
 APPROVED: C.CUMMISKEY/A.KUKLA 21-APR-09

REV: 0
 ANGLE PROJECTION
 N.A

NETSHELTER REAR DOOR (RIGHT)-ATTACHMENT



ISOMETRIC VIEW

NOTES:

1. INSTALLATION SHALL COMPLY WITH ALL APPLICABLE NATIONAL, STATE AND LOCAL CODES.
2. PLEASE REFER TO PRODUCT DOCUMENTATION FOR FURTHER INFORMATION.
3. ALL DIMENSIONS ARE IN MILLIMETERS [INCHES], UNLESS OTHERWISE SPECIFIED.

THIS DRAWING AND SPECIFICATIONS HEREIN ARE THE PROPERTY OF SCHNEIDER ELECTRIC AND SHALL NOT BE COPIED, REPRODUCED OR USED IN WHOLE OR IN PART, AS THE BASIS FOR THE MANUFACTURE OR SALE OF ITEMS WITHOUT WRITTEN PERMISSION FROM SCHNEIDER ELECTRIC. THIS DRAWING IS BASED UPON LATEST AVAILABLE INFORMATION AND IS SUBJECT TO CHANGE WITHOUT NOTICE.



TITLE: InRow SC SYSTEM
 1 In-Row SC, 1 RACK AND
 FRONT & REAR CONTAINMENT
 NETSHELTER REAR DOOR (RIGHT)-ATTACHMENT
 PROJECT: SUBMITTAL DRAWINGS SHEET 11 OF 11

DWG NO: RACSC112-RACSC112E
 DRAWN: C KRISHNA 21-APR-09
 ENGINEER: M.FIACCO/M.BROWN 21-APR-09
 APPROVED: C.CUMMISKEY/A.KUKLA 21-APR-09

REV. 0
 ANGLE PROJECTION N.A.