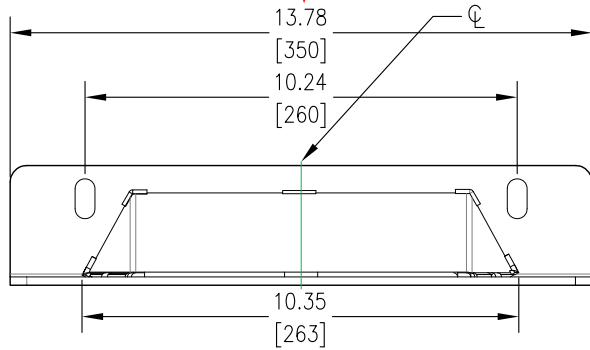
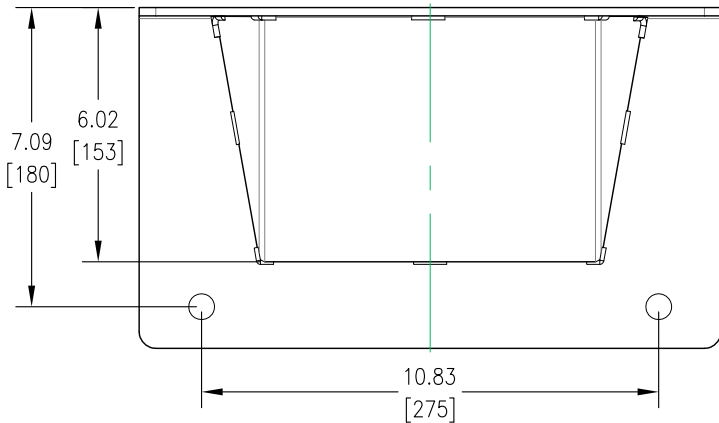


SKU DETAILS

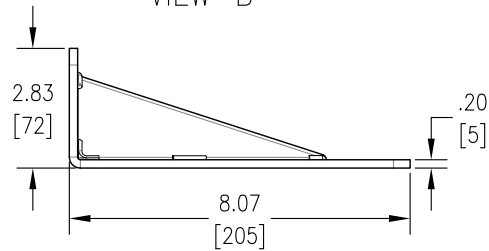
VIEW-B



VIEW-A



VIEW-B



VIEW-A

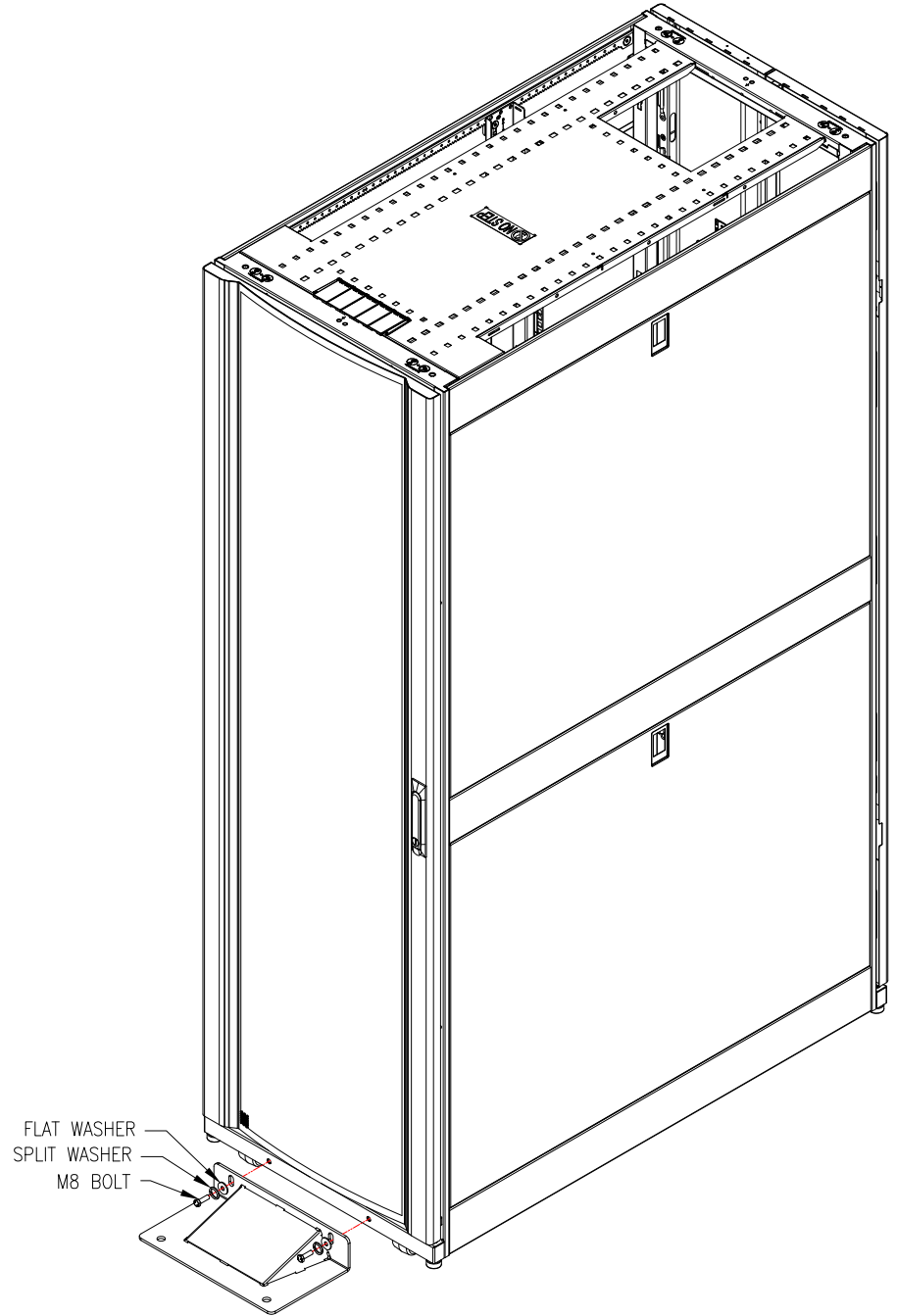
NOTES:

1. INSTALLATION SHALL COMPLY WITH ALL APPLICABLE NATIONAL STATE AND LOCAL CODES.
2. PLEASE REFER TO [PRODUCT DOCUMENTATION](#) FOR FURTHER INFORMATION.
3. UNLESS OTHERWISE SPECIFIED, ALL DIMENSIONS ARE IN INCHES[MILLIMETERS].
4. EACH STABILIZER PLATE INCLUDES (2) M8 BOLTS
5. WEIGHT OF UNIT IS 9.92 LBS [4.51 KG]

THIS DRAWING AND SPECIFICATIONS HEREIN ARE THE PROPERTY OF SCHNEIDER ELECTRIC AND SHALL NOT BE COPIED, REPRODUCED OR USED IN WHOLE OR IN PART, AS THE BASIS FOR THE MANUFACTURE OR SALE OF ITEMS WITHOUT WRITTEN PERMISSION FROM SCHNEIDER ELECTRIC. THIS DRAWING IS BASED UPON LATEST AVAILABLE INFORMATION AND IS SUBJECT TO CHANGE WITHOUT NOTICE.



APPLICATION DETAILS



TITLE: NETSHELTER SX STABILIZER PLATE MECHANICAL LAYOUT		DWG NO: AR7700	REV: 1
PROJECT: SUBMITTAL DRAWINGS SHEET 1 OF 1		DRAWN BY: C KRISHNA/M CRAVEN ENGINEER: M.UHRHAN/B.OLIVER	09-JAN-13 24-JAN-08 ANGLE PROJECTION
		APPROVED BY: B.SHERIDAN/C.LARSEN	24-JAN-08 N.A