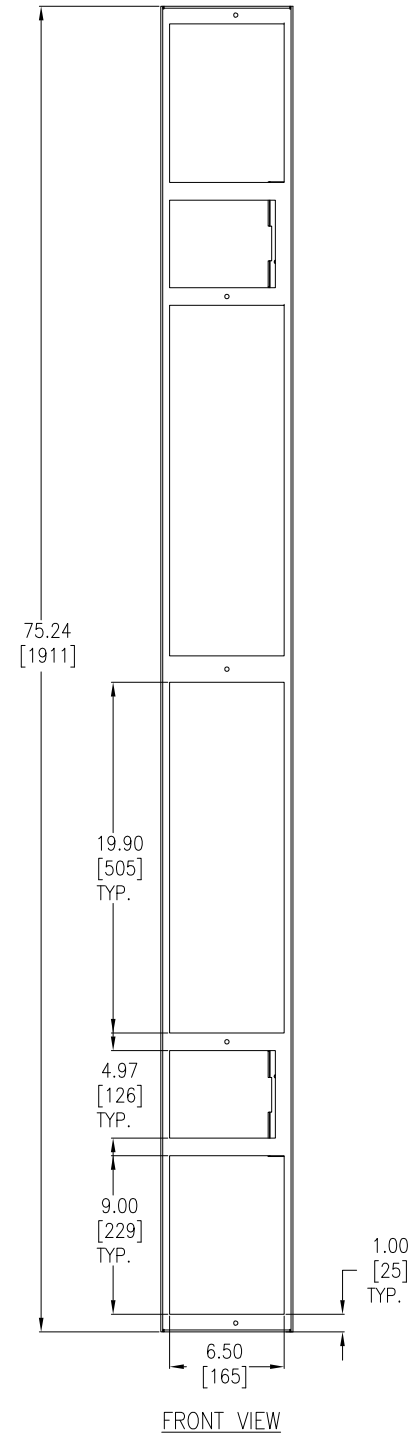
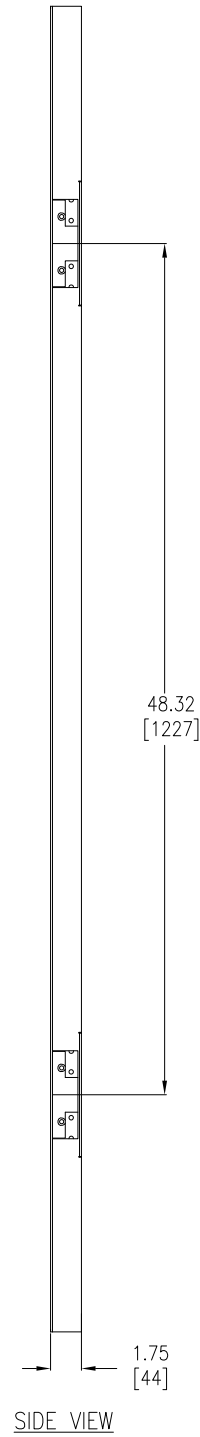


TOP VIEW

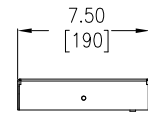


FRONT VIEW

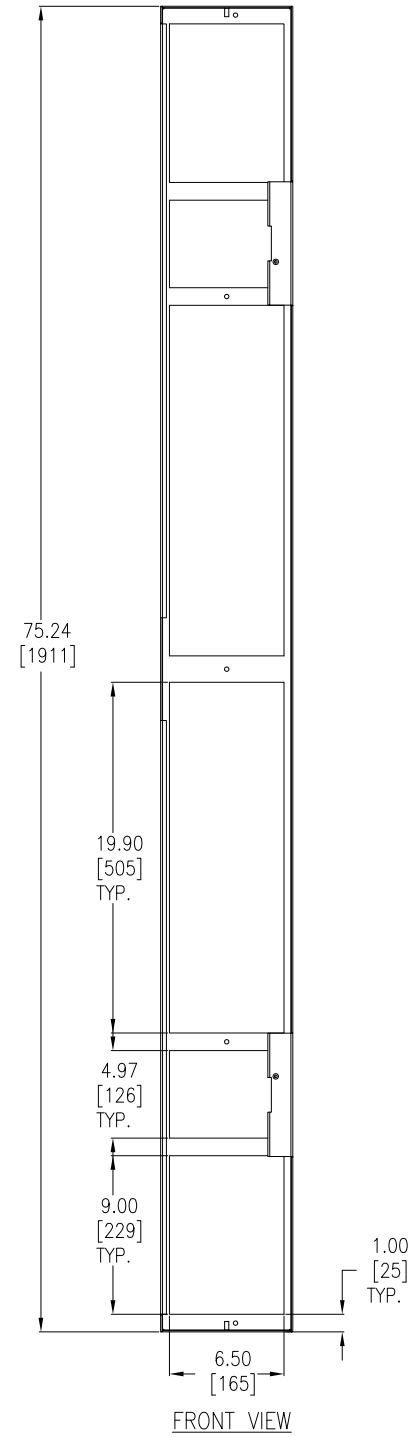


SIDE VIEW

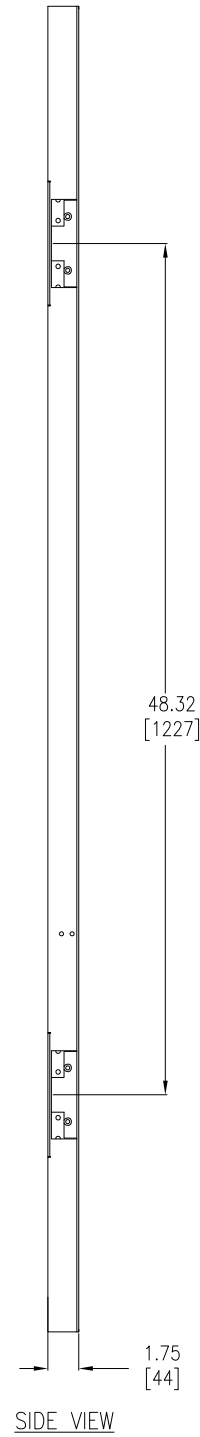
LEFT SIDE PLENUM



TOP VIEW

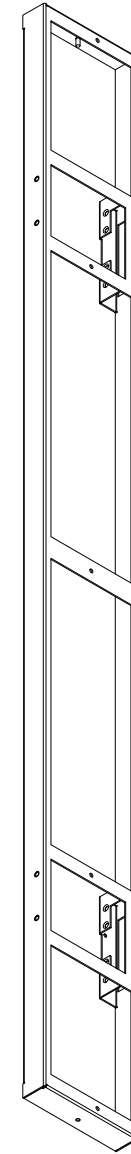


FRONT VIEW

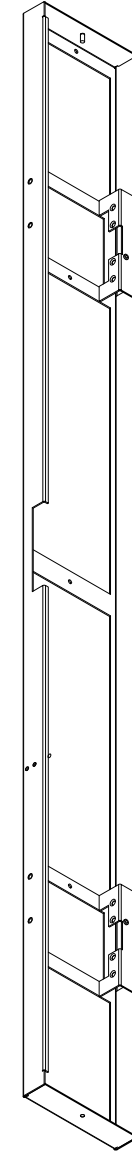


SIDE VIEW

RIGHT SIDE PLENUM



ISOMETRIC VIEW  
LEFT SIDE PLENUM



ISOMETRIC VIEW  
RIGHT SIDE PLENUM

**NOTES:**

1. INSTALLATION SHALL COMPLY WITH ALL APPLICABLE NATIONAL, STATE AND LOCAL CODES.
2. PLEASE REFER TO PRODUCT DOCUMENTATION FOR FURTHER INFORMATION.
3. UNLESS OTHERWISE SPECIFIED, ALL DIMENSIONS ARE IN INCHES [MILLIMETERS].

THIS DRAWING AND SPECIFICATIONS HEREIN ARE THE PROPERTY OF SCHNEIDER ELECTRIC AND SHALL NOT BE COPIED, REPRODUCED OR USED IN WHOLE OR IN PART, AS THE BASIS FOR THE MANUFACTURE OR SALE OF ITEMS WITHOUT WRITTEN PERMISSION FROM SCHNEIDER ELECTRIC. THIS DRAWING IS BASED UPON LATEST AVAILABLE INFORMATION AND IS SUBJECT TO CHANGE WITHOUT NOTICE.

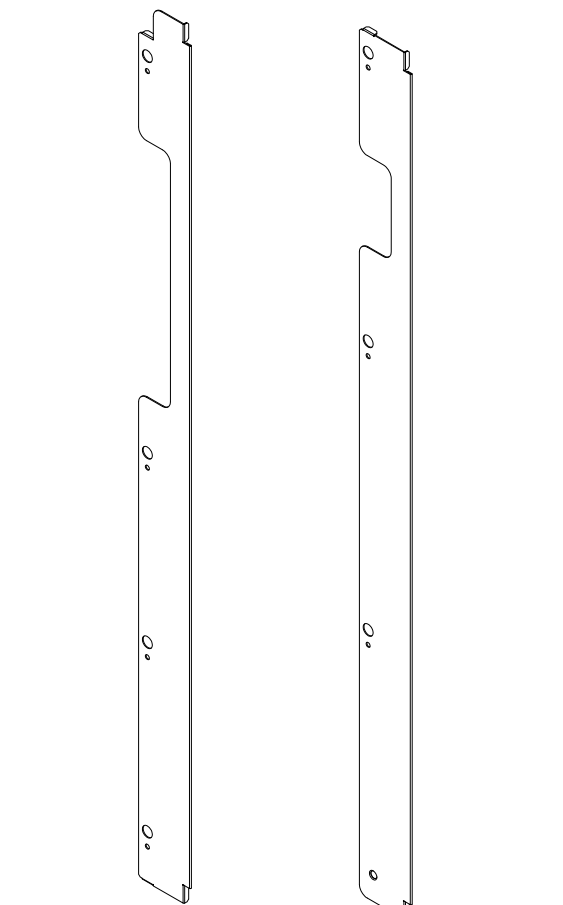
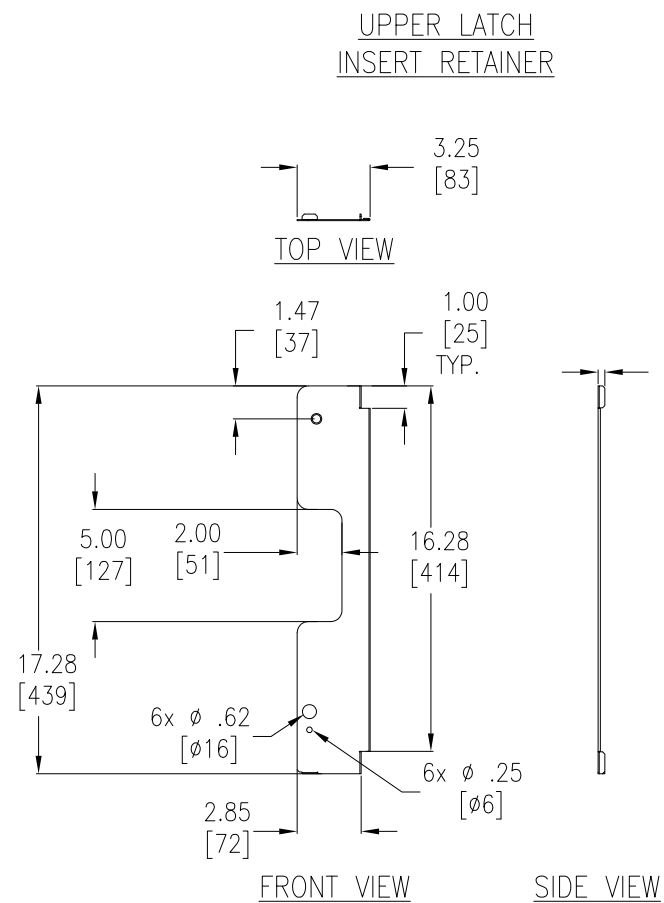
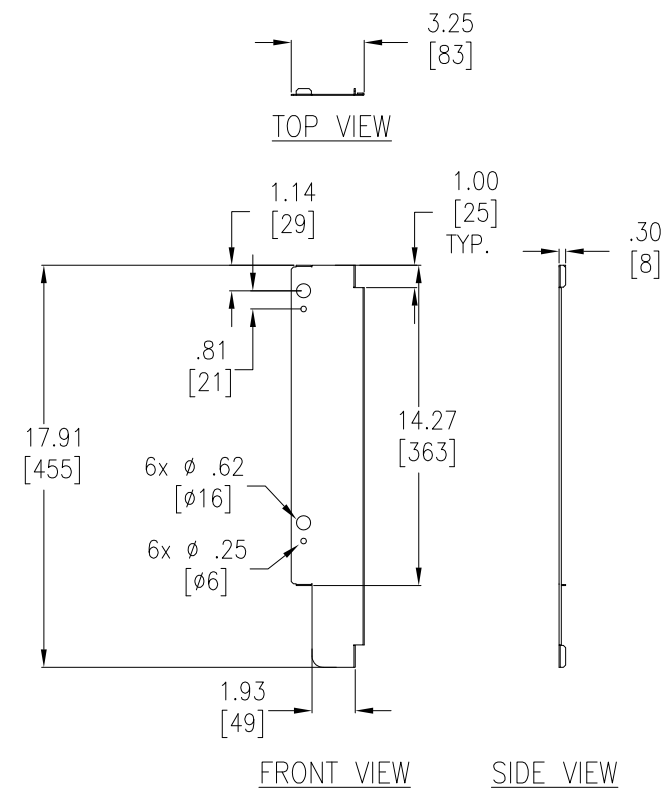
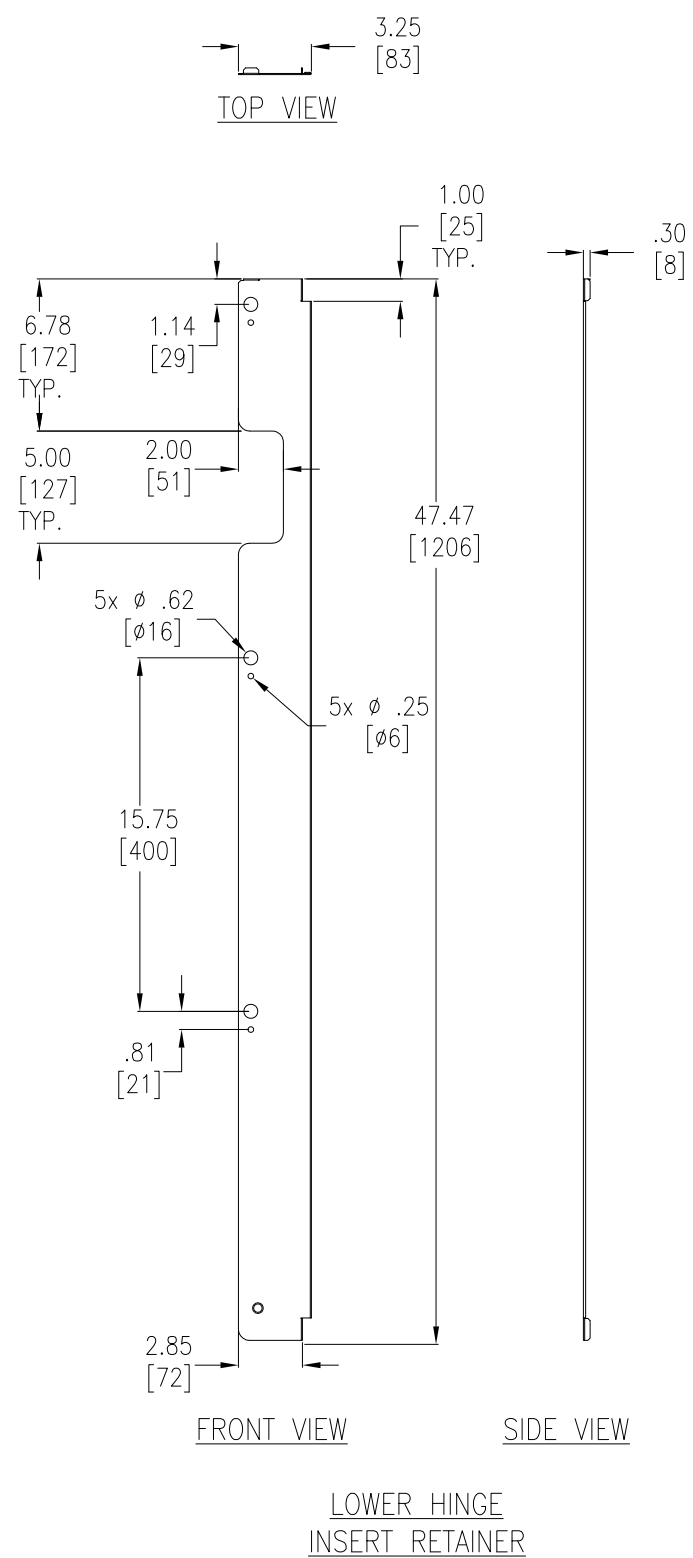
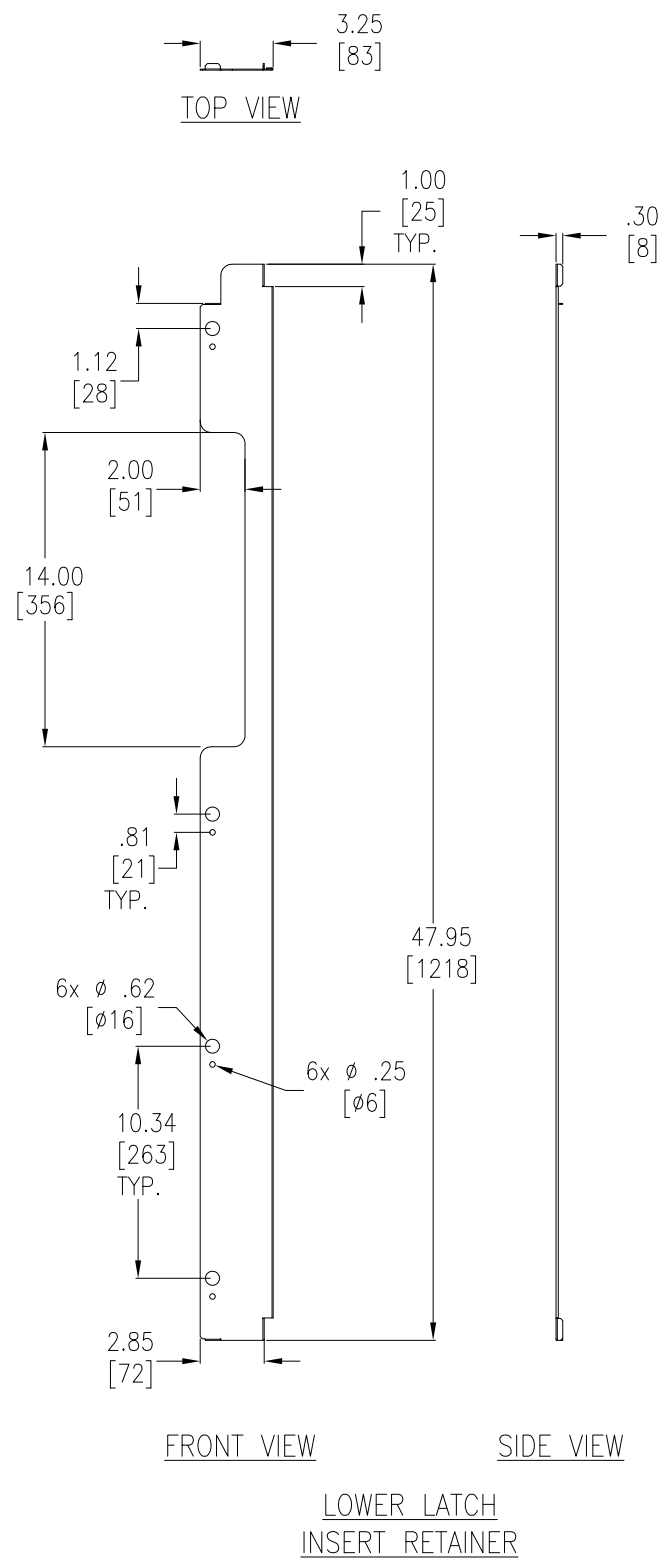


TITLE:  
RACK AIR CONTAINMENT  
FRONT ASSEMBLY FOR  
InRow RP  
LEFT & RIGHT SIDE PLENUMS

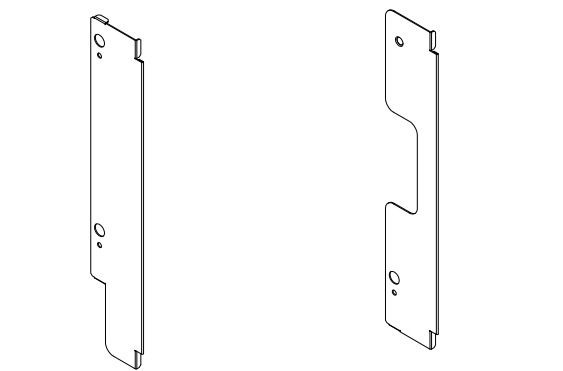
PROJECT: STD SUBMITTAL DRAWING SHEET: 1 OF 4

DWG NO: **ACCS1004**  
DRAWN: C KRISHNA/S CUNHA  
ENGINEER: G IVEY/M BROWN  
APPROVED: C GUMMSKEY/C ZALDIVAR

REV. 1  
THIRD ANGLE PROJ



ISOMETRIC VIEW LOWER LATCH INSERT RETAINER  
ISOMETRIC VIEW LOWER HINGE INSERT RETAINER



ISOMETRIC VIEW UPPER LATCH INSERT RETAINER  
ISOMETRIC VIEW UPPER HINGE INSERT RETAINER

**NOTES:**

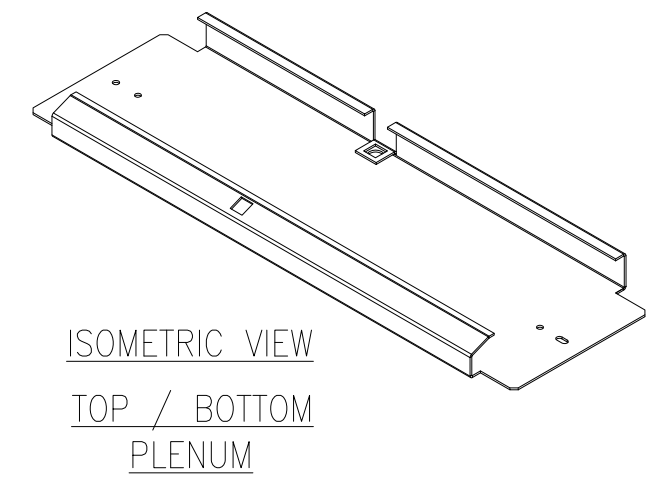
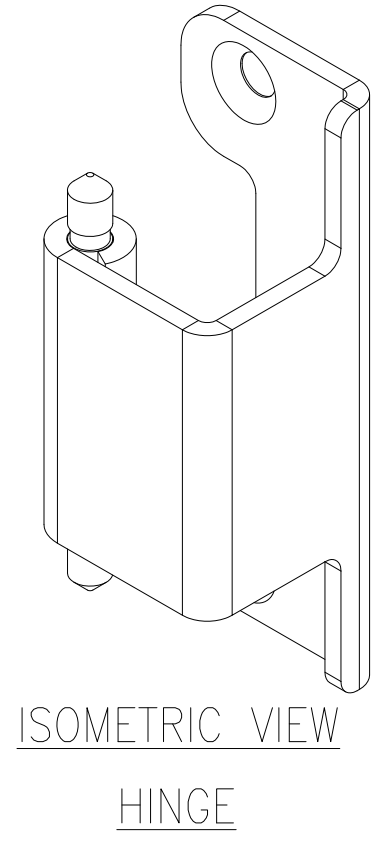
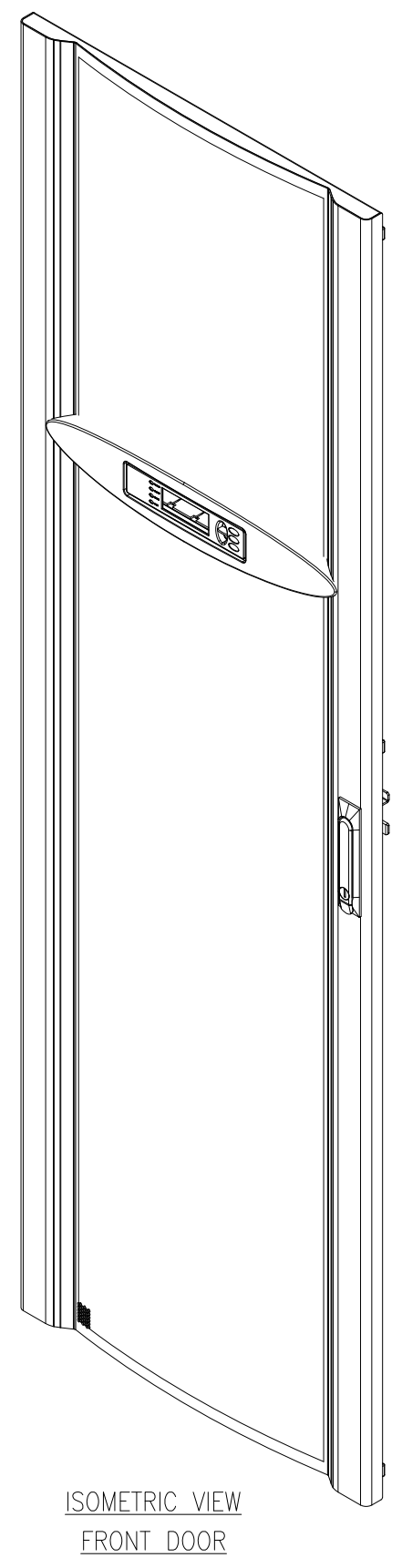
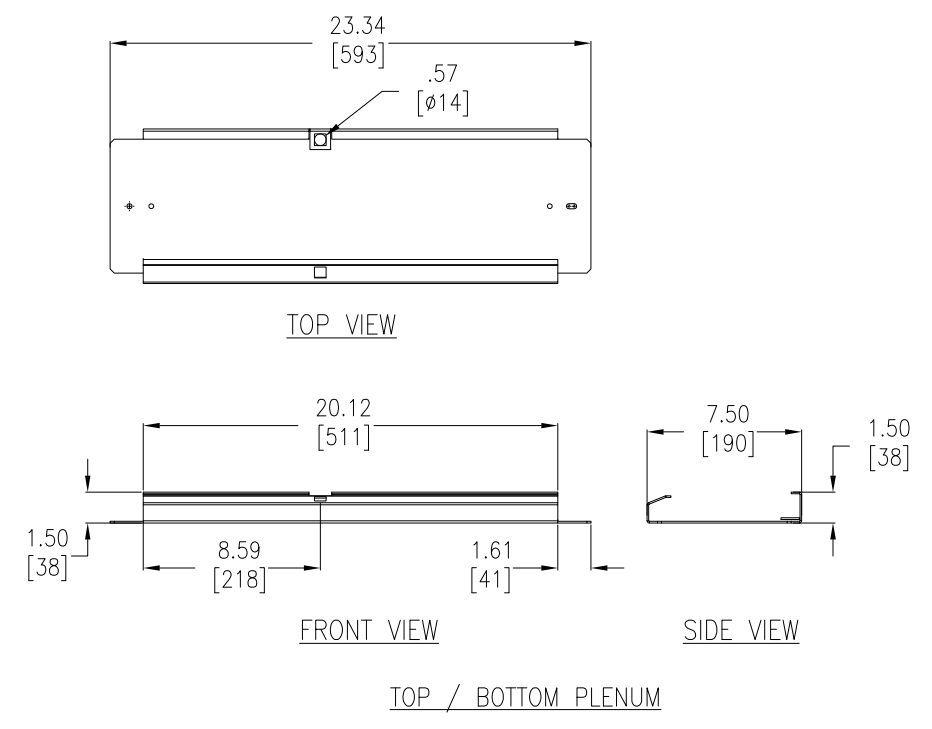
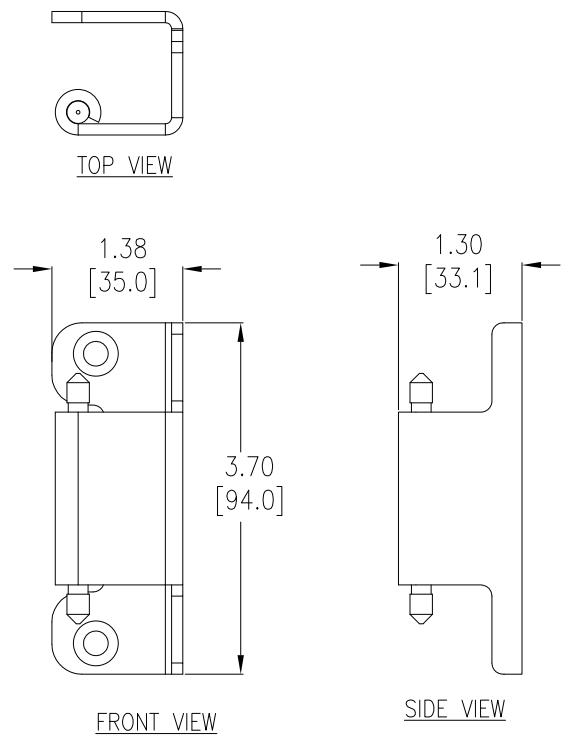
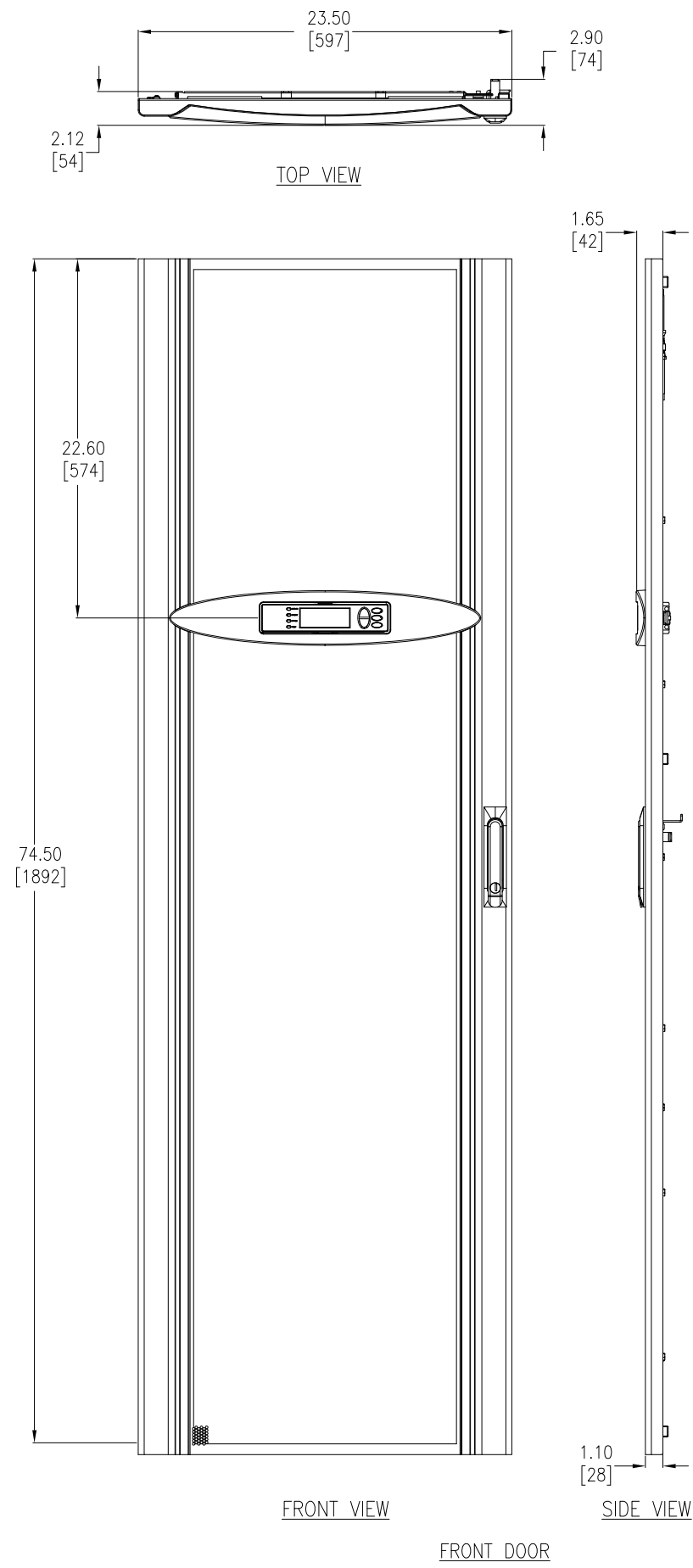
1. INSTALLATION SHALL COMPLY WITH ALL APPLICABLE NATIONAL, STATE AND LOCAL CODES.
2. PLEASE REFER TO PRODUCT DOCUMENTATION FOR FURTHER INFORMATION.
3. UNLESS OTHERWISE SPECIFIED, ALL DIMENSIONS ARE IN INCHES [MILLIMETERS].

THIS DRAWING AND SPECIFICATIONS HEREIN ARE THE PROPERTY OF SCHNEIDER ELECTRIC AND SHALL NOT BE COPIED, REPRODUCED OR USED IN WHOLE OR IN PART, AS THE BASIS FOR THE MANUFACTURE OR SALE OF ITEMS WITHOUT WRITTEN PERMISSION FROM SCHNEIDER ELECTRIC. THIS DRAWING IS BASED UPON LATEST AVAILABLE INFORMATION AND IS SUBJECT TO CHANGE WITHOUT NOTICE.



TITLE: RACK AIR CONTAINMENT FRONT ASSEMBLY FOR InRow RP LOWER & UPPER INSERTS  
PROJECT: STD SUBMITTAL DRAWING SHEET: 2 OF 4

DWG NO: ACCS1004  
DRAWN: C KRISHNA/S CUNHA  
ENGINEER: G IVEY/M BROWN  
APPROVED: C GUMMSKEY/C ZALDIVAR  
REV. 1  
29-SEP-14  
29-SEP-14  
29-SEP-14  
THIRD ANGLE PROJ



**NOTES:**

1. INSTALLATION SHALL COMPLY WITH ALL APPLICABLE NATIONAL, STATE AND LOCAL CODES.
2. PLEASE REFER TO PRODUCT DOCUMENTATION FOR FURTHER INFORMATION.
3. UNLESS OTHERWISE SPECIFIED, ALL DIMENSIONS ARE IN INCHES [MILLIMETERS].

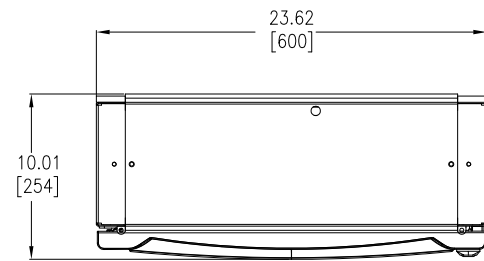
THIS DRAWING AND SPECIFICATIONS HEREIN ARE THE PROPERTY OF SCHNEIDER ELECTRIC AND SHALL NOT BE COPIED, REPRODUCED OR USED IN WHOLE OR IN PART, AS THE BASIS FOR THE MANUFACTURE OR SALE OF ITEMS WITHOUT WRITTEN PERMISSION FROM SCHNEIDER ELECTRIC. THIS DRAWING IS BASED UPON LATEST AVAILABLE INFORMATION AND IS SUBJECT TO CHANGE WITHOUT NOTICE.



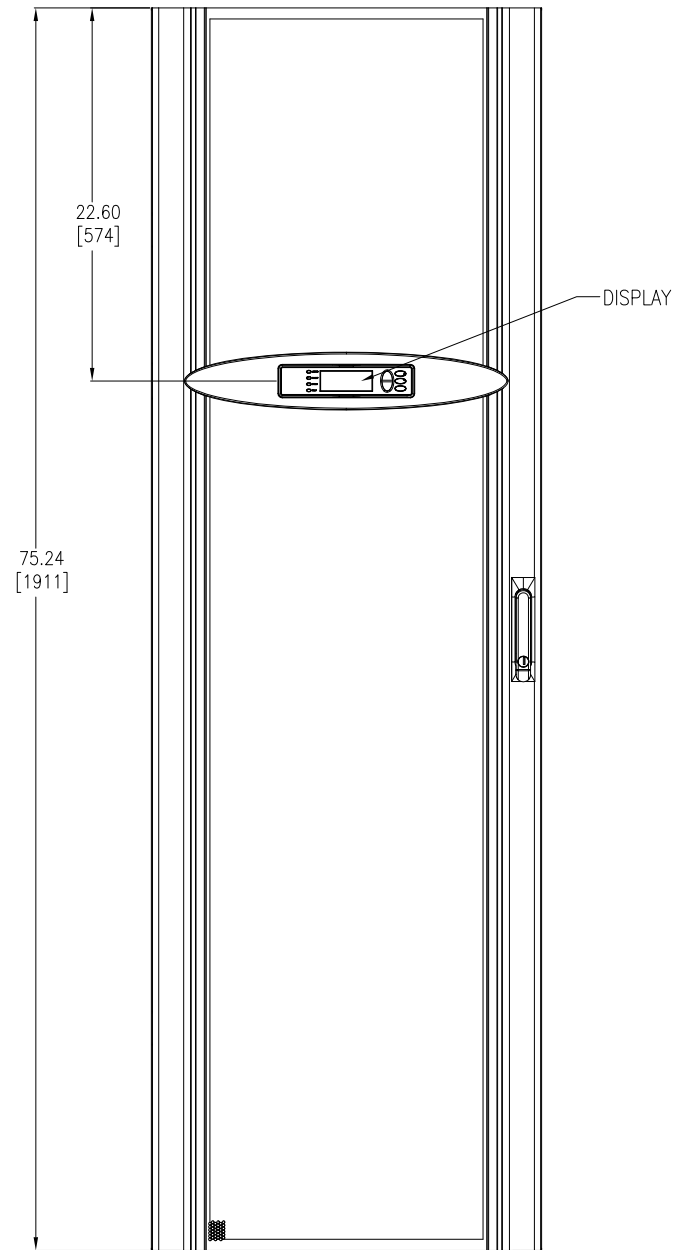
TITLE: RACK AIR CONTAINMENT FRONT ASSEMBLY FOR InRow RP DOOR, PLENUM & HINGE DETAILS  
PROJECT: STD SUBMITTAL DRAWING SHEET: 3 OF 4

DWG NO: <b>ACCS1004</b>	REV. <b>1</b>
DRAWN: C KRISHNA/S CUNHA	29-SEP-14
ENGINEER: G IVEY/M BROWN	29-SEP-14
APPROVED: C CUMMISKEY/C ZALDIVAR	29-SEP-14

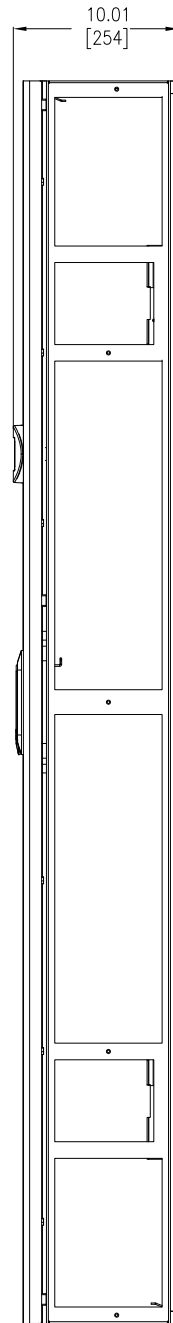
THIRD ANGLE PROJ



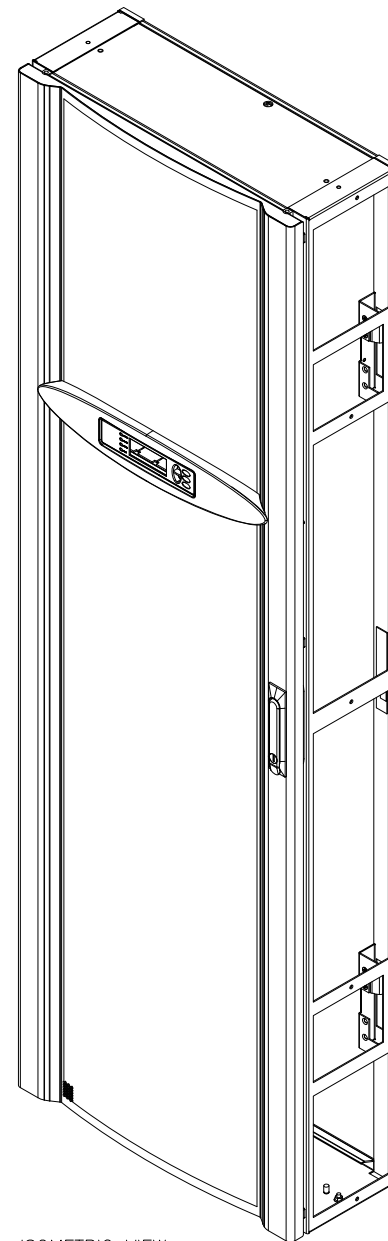
TOP VIEW



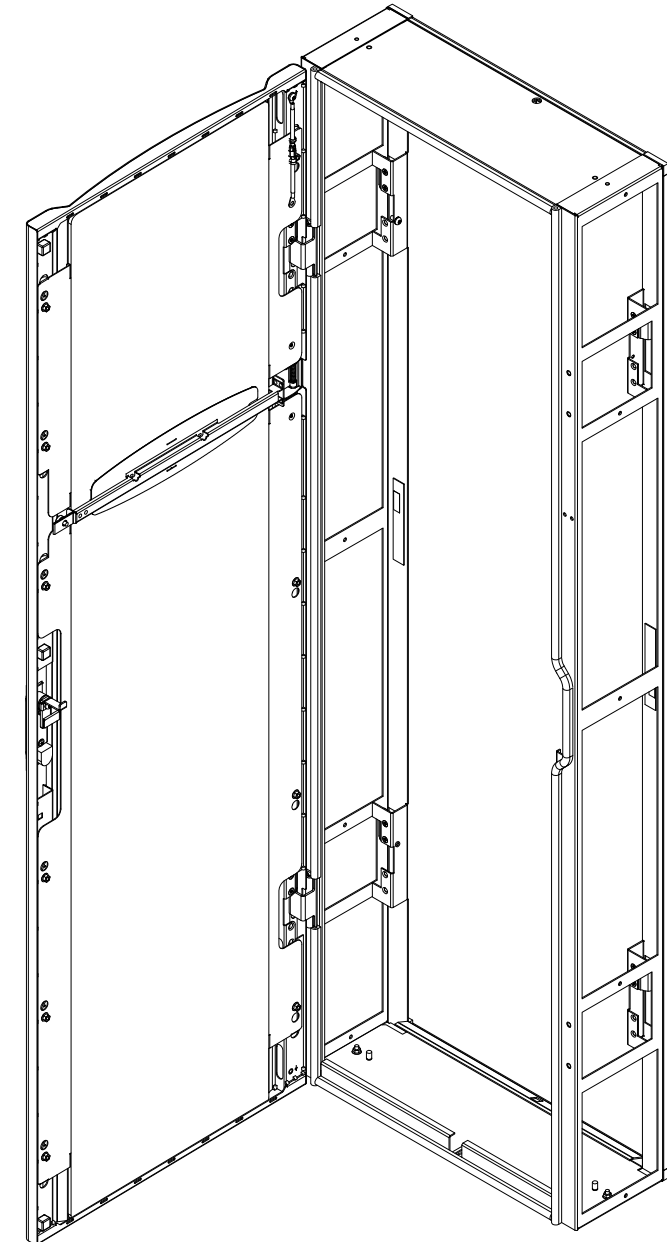
FRONT VIEW



SIDE VIEW



ISOMETRIC VIEW



ISOMETRIC VIEW  
DOOR OPEN

**NOTES:**

1. INSTALLATION SHALL COMPLY WITH ALL APPLICABLE NATIONAL, STATE AND LOCAL CODES.
2. PLEASE REFER TO PRODUCT DOCUMENTATION FOR FURTHER INFORMATION.
3. UNLESS OTHERWISE SPECIFIED, ALL DIMENSIONS ARE IN INCHES [MILLIMETERS].
4. NET WEIGHT OF UNIT IS 47.30 lbs. [21.50 kg].

THIS DRAWING AND SPECIFICATIONS HEREIN ARE THE PROPERTY OF SCHNEIDER ELECTRIC AND SHALL NOT BE COPIED, REPRODUCED OR USED IN WHOLE OR IN PART, AS THE BASIS FOR THE MANUFACTURE OR SALE OF ITEMS WITHOUT WRITTEN PERMISSION FROM SCHNEIDER ELECTRIC. THIS DRAWING IS BASED UPON LATEST AVAILABLE INFORMATION AND IS SUBJECT TO CHANGE WITHOUT NOTICE.



TITLE:  
RACK AIR CONTAINMENT  
FRONT ASSEMBLY FOR  
InRow RP  
ASSEMBLY

PROJECT: STD SUBMITTAL DRAWING SHEET: 4 OF 4

DWG NO:	<b>ACCS1004</b>	REV.	1
DRAWN:	C KRISHNA/S CUNHA	29-SEP-14	THIRD ANGLE PROJ
ENGINEER:	G IVEY/M BROWN	29-SEP-14	
APPROVED:	C CUMMSKEY/C ZALDIVAR	29-SEP-14	