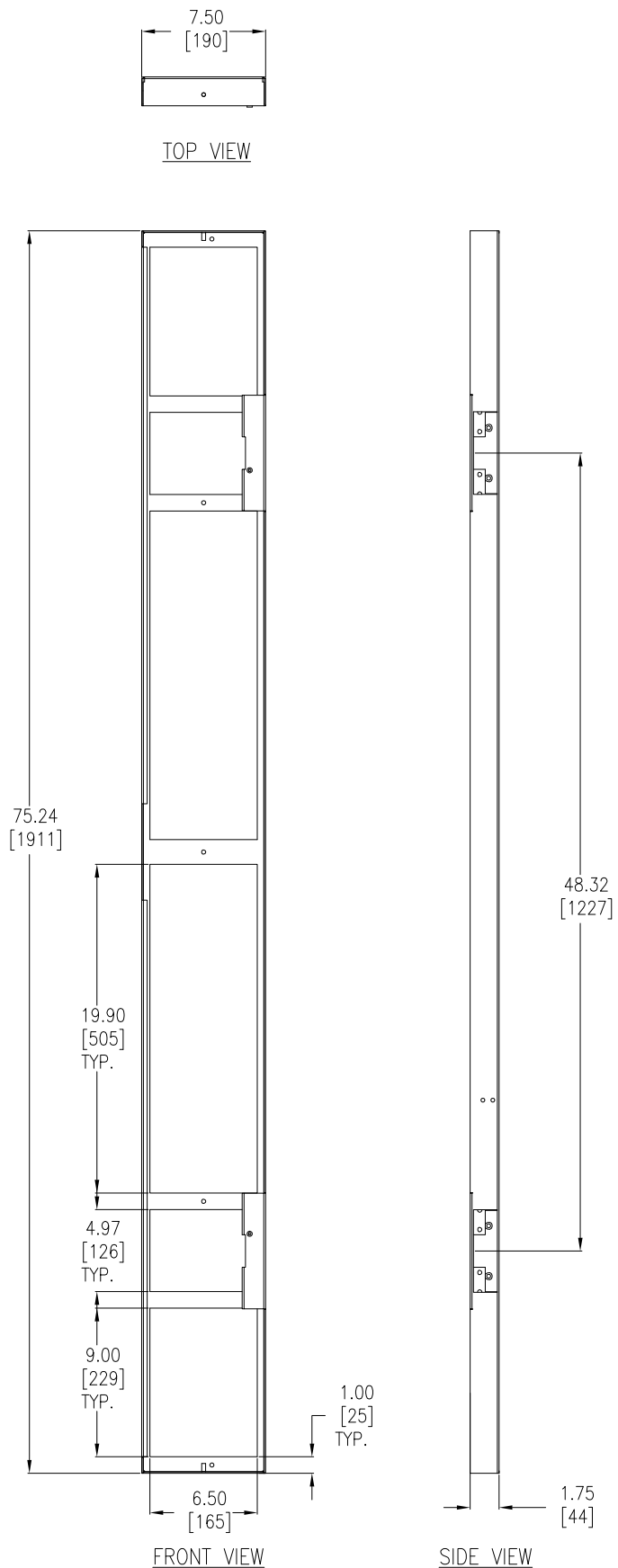
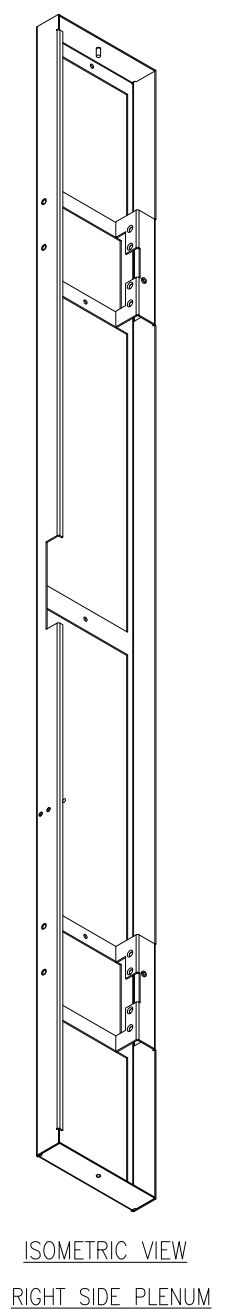
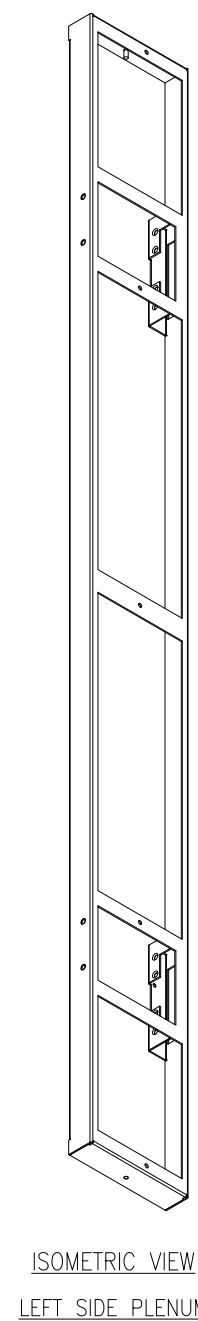


LEFT SIDE PLENUM



RIGHT SIDE PLENUM



NOTES:

1. INSTALLATION SHALL COMPLY WITH ALL APPLICABLE NATIONAL, STATE AND LOCAL CODES.
2. PLEASE REFER TO PRODUCT DOCUMENTATION FOR FURTHER INFORMATION.
3. UNLESS OTHERWISE SPECIFIED, ALL DIMENSIONS ARE IN INCHES [MILLIMETERS].

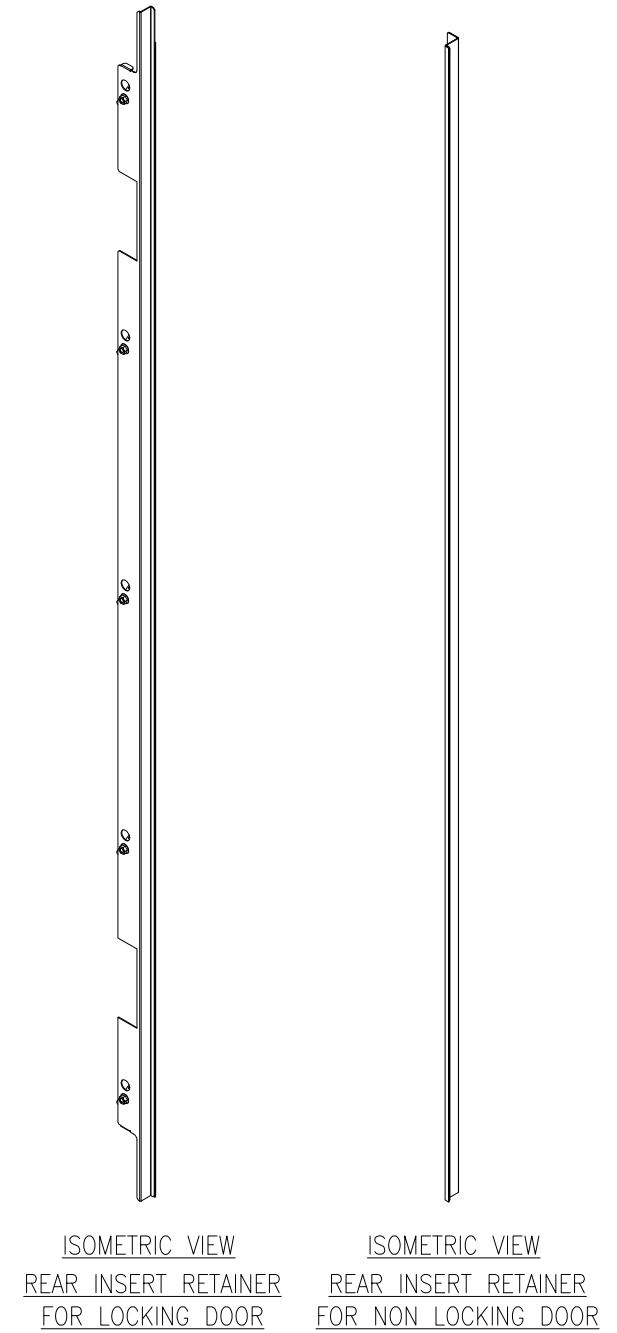
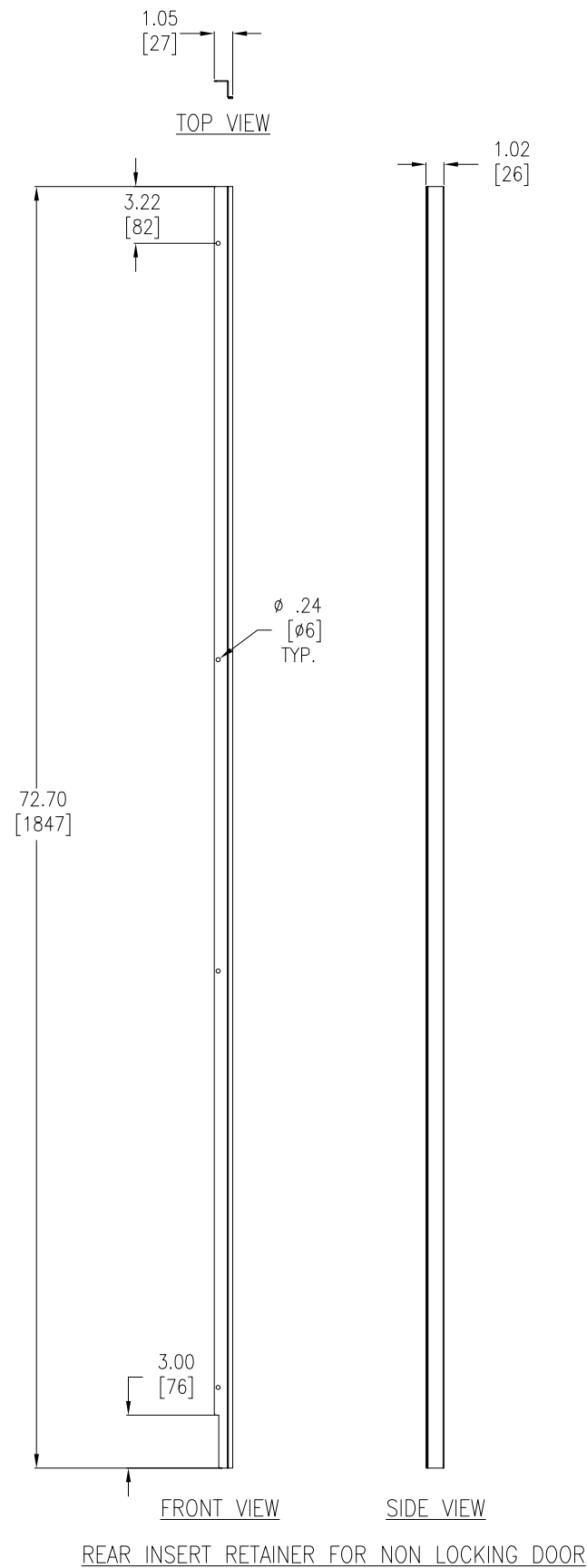
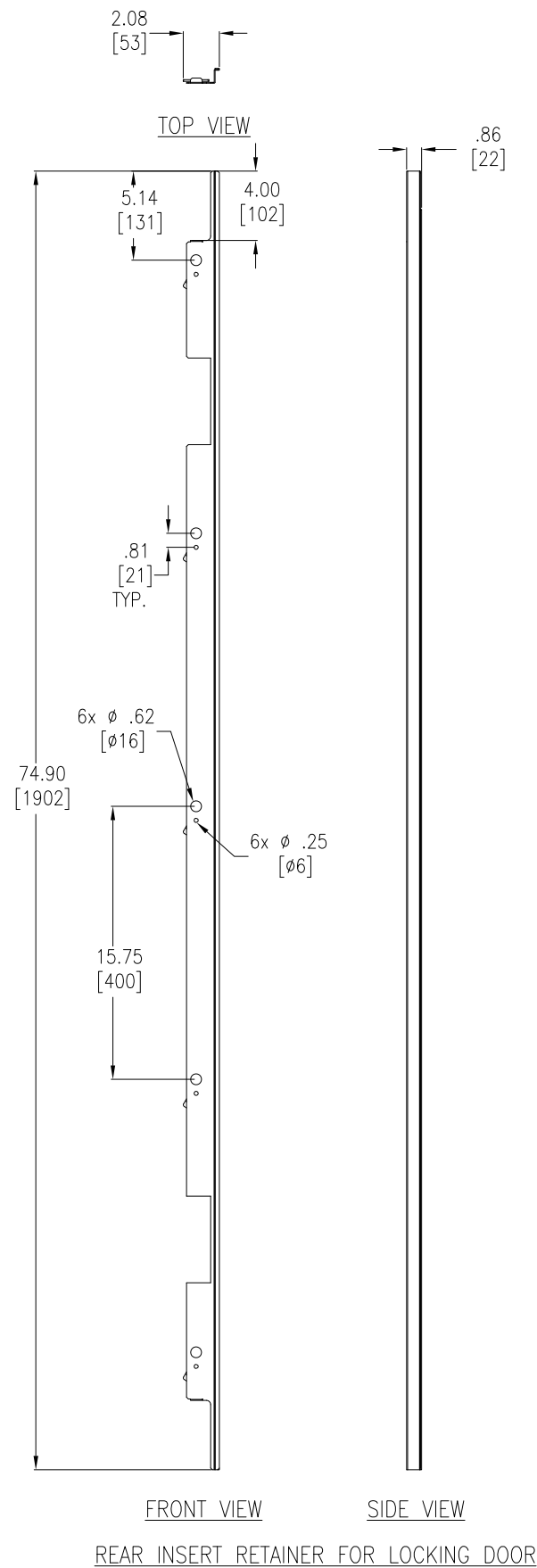
THIS DRAWING AND SPECIFICATIONS HEREIN ARE THE PROPERTY OF SCHNEIDER ELECTRIC AND SHALL NOT BE COPIED, REPRODUCED OR USED IN WHOLE OR IN PART, AS THE BASIS FOR THE MANUFACTURE OR SALE OF ITEMS WITHOUT WRITTEN PERMISSION FROM SCHNEIDER ELECTRIC. THIS DRAWING IS BASED UPON LATEST AVAILABLE INFORMATION AND IS SUBJECT TO CHANGE WITHOUT NOTICE.



TITLE: RACK AIR CONTAINMENT REAR ASSEMBLY FOR NETSHELTER SX, 42U, 600mm WIDE LEFT & RIGHT SIDE PLENUMS
 PROJECT: STD SUBMITTAL DRAWING SHEET: 1 OF 4

DWG NO: **ACCS1001**
 DRAWN: C KRISHNA/S CUNHA 29-SEP-14
 ENGINEER: G IVEY/M BROWN 29-SEP-14
 APPROVED: C CUMMISKEY/C ZALDIVAR 29-SEP-14

REV. 1
 THIRD ANGLE PROJ



NOTES:

1. INSTALLATION SHALL COMPLY WITH ALL APPLICABLE NATIONAL, STATE AND LOCAL CODES.
2. PLEASE REFER TO PRODUCT DOCUMENTATION FOR FURTHER INFORMATION.
3. UNLESS OTHERWISE SPECIFIED, ALL DIMENSIONS ARE IN INCHES [MILLIMETERS].

THIS DRAWING AND SPECIFICATIONS HEREIN ARE THE PROPERTY OF SCHNEIDER ELECTRIC AND SHALL NOT BE COPIED, REPRODUCED OR USED IN WHOLE OR IN PART, AS THE BASIS FOR THE MANUFACTURE OR SALE OF ITEMS WITHOUT WRITTEN PERMISSION FROM SCHNEIDER ELECTRIC. THIS DRAWING IS BASED UPON LATEST AVAILABLE INFORMATION AND IS SUBJECT TO CHANGE WITHOUT NOTICE.



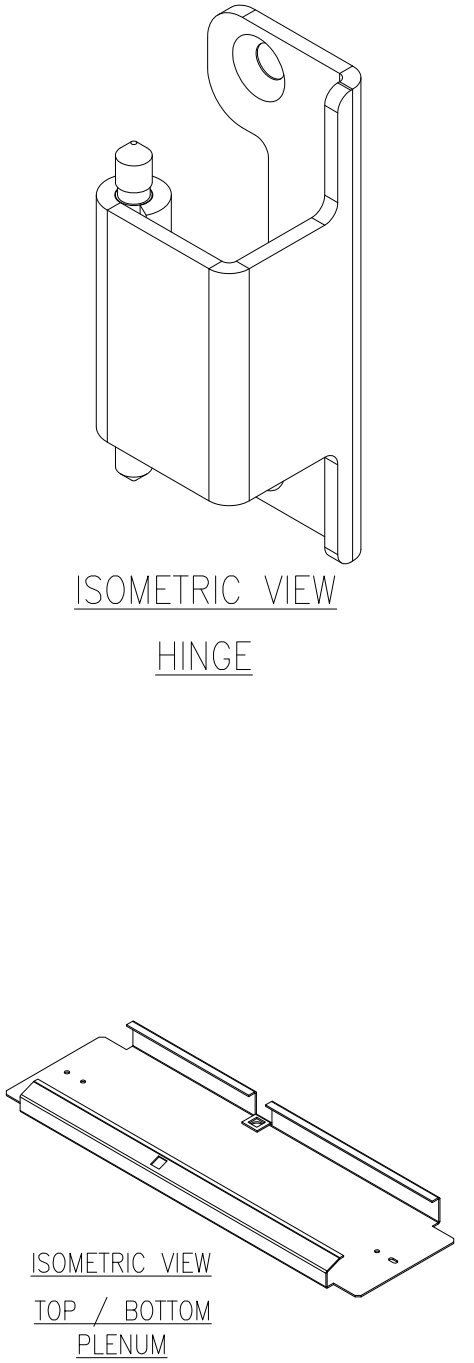
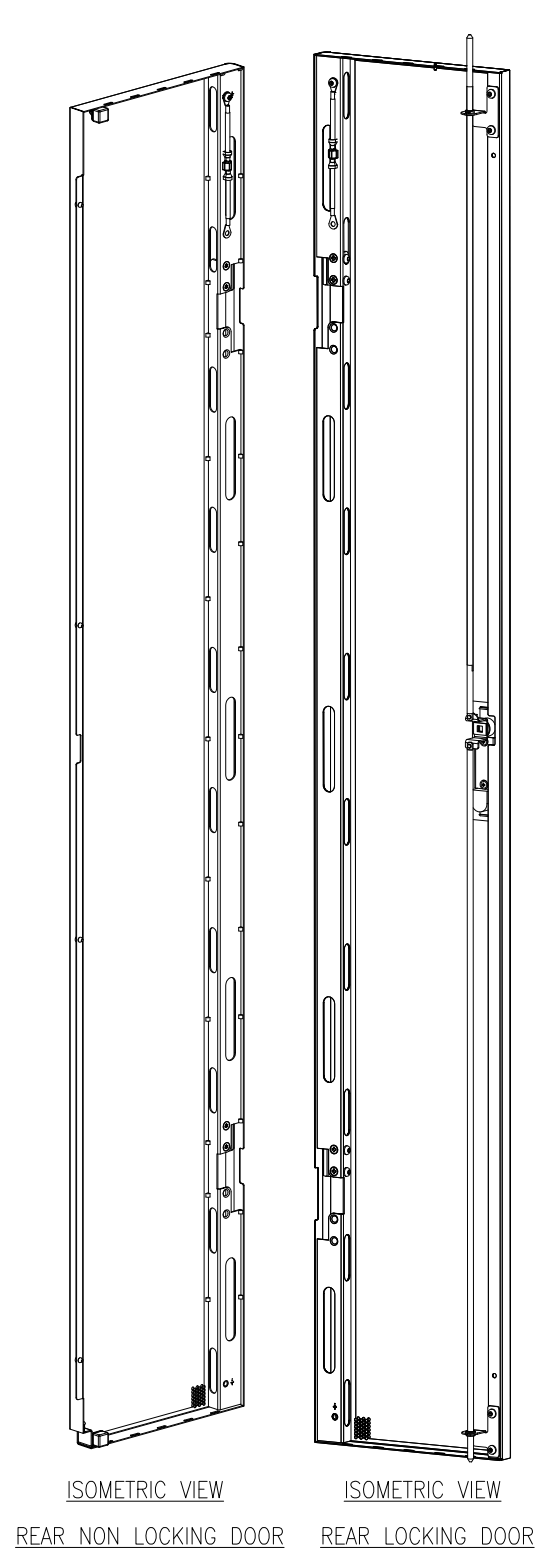
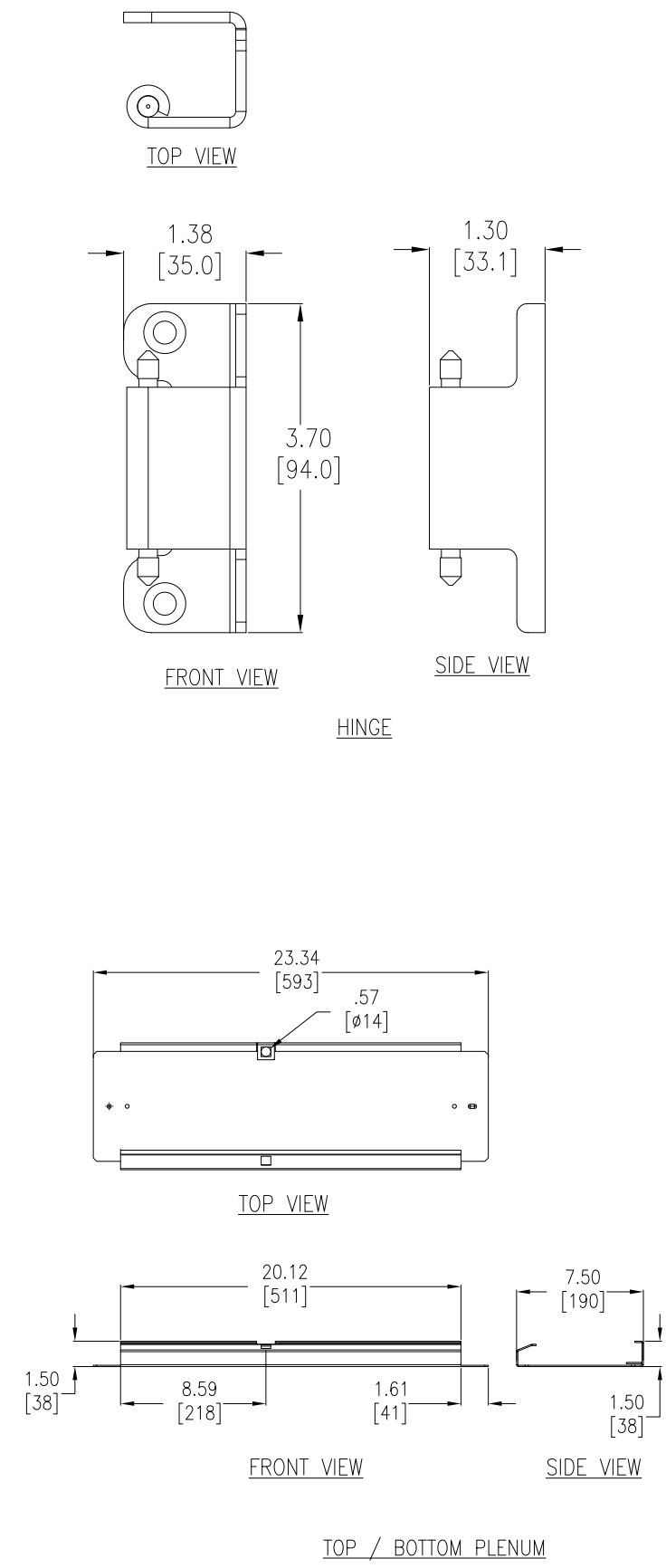
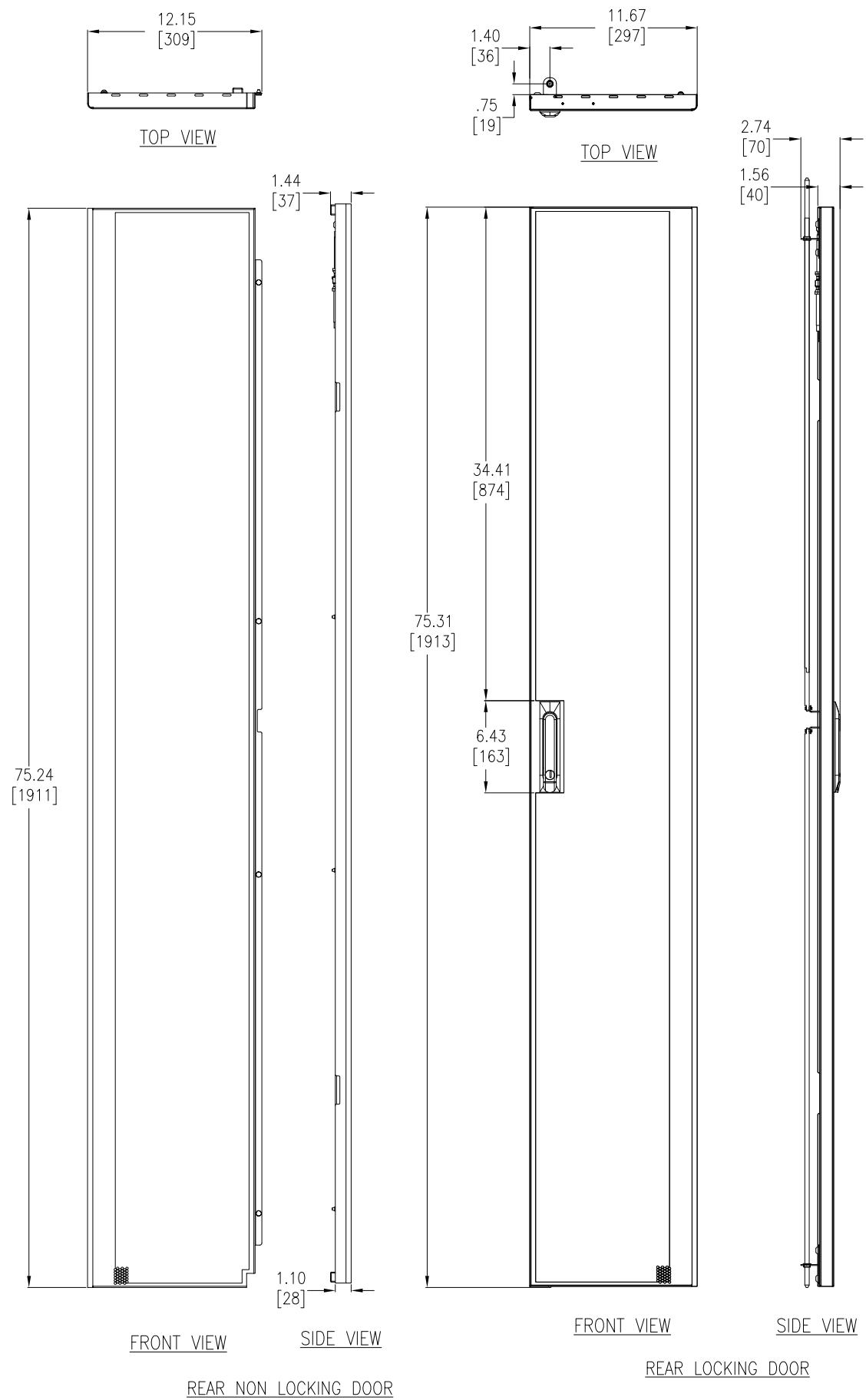
TITLE:
RACK AIR CONTAINMENT
REAR ASSEMBLY FOR
NETSHELTER SX, 42U, 600mm WIDE
LOWER & UPPER INSERTS

PROJECT: STD SUBMITTAL DRAWING SHEET: 2 OF 4

DWG NO: **ACCS1001**

DRAWN: C KRISHNA/S CUNHA	29-SEP-14
ENGINEER: G IVEY/M BROWN	29-SEP-14
APPROVED: C CUMMSKEY/C ZALDIVAR	29-SEP-14

REV. 1
THIRD ANGLE PROJ



NOTES:

1. INSTALLATION SHALL COMPLY WITH ALL APPLICABLE NATIONAL, STATE AND LOCAL CODES.
2. PLEASE REFER TO PRODUCT DOCUMENTATION FOR FURTHER INFORMATION.
3. UNLESS OTHERWISE SPECIFIED, ALL DIMENSIONS ARE IN INCHES [MILLIMETERS].

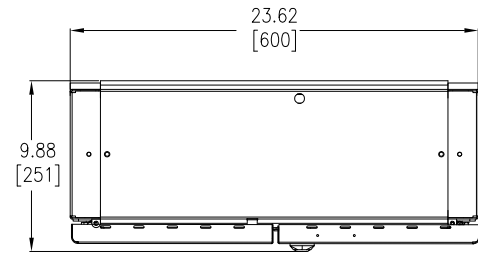
THIS DRAWING AND SPECIFICATIONS HEREIN ARE THE PROPERTY OF SCHNEIDER ELECTRIC AND SHALL NOT BE COPIED, REPRODUCED OR USED IN WHOLE OR IN PART, AS THE BASIS FOR THE MANUFACTURE OR SALE OF ITEMS WITHOUT WRITTEN PERMISSION FROM SCHNEIDER ELECTRIC. THIS DRAWING IS BASED UPON LATEST AVAILABLE INFORMATION AND IS SUBJECT TO CHANGE WITHOUT NOTICE.



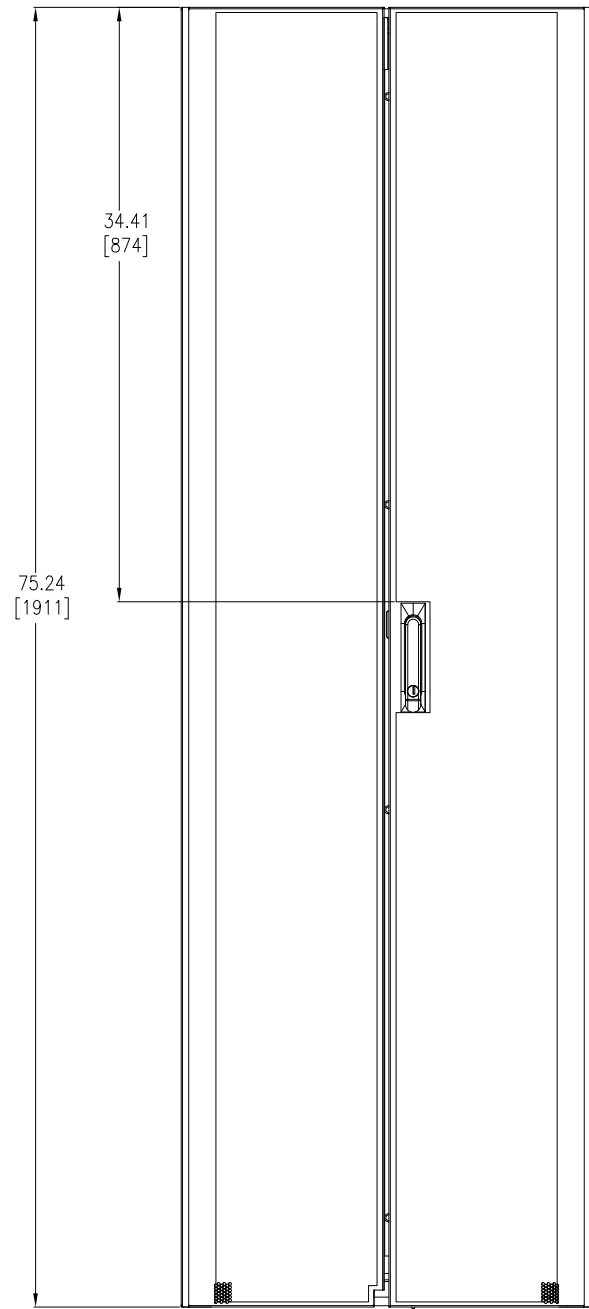
TITLE: RACK AIR CONTAINMENT REAR ASSEMBLY FOR NETSHELTER SX, 42U, 600mm WIDE InRow RP DOOR, PLENUM & HINGE DETAILS

PROJECT: STD SUBMITTAL DRAWING SHEET: 3 OF 4

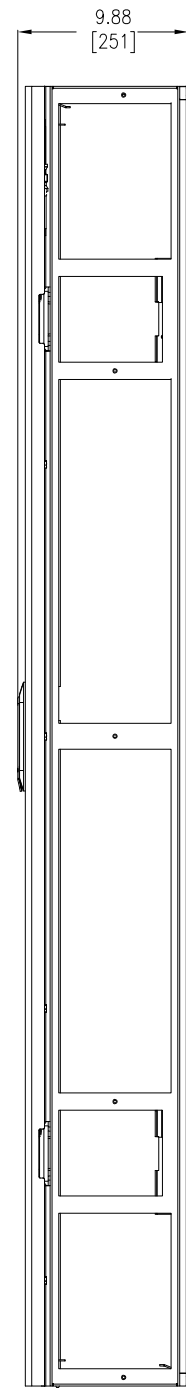
DWG NO:	ACCS1001	REV.	1
DRAWN:	C KRISHNA/S CUNHA	29-SEP-14	THIRD ANGLE PROJ
ENGINEER:	G IVEY/M BROWN	29-SEP-14	
APPROVED:	C CUMMSKEY/C ZALDIVAR	29-SEP-14	



TOP VIEW



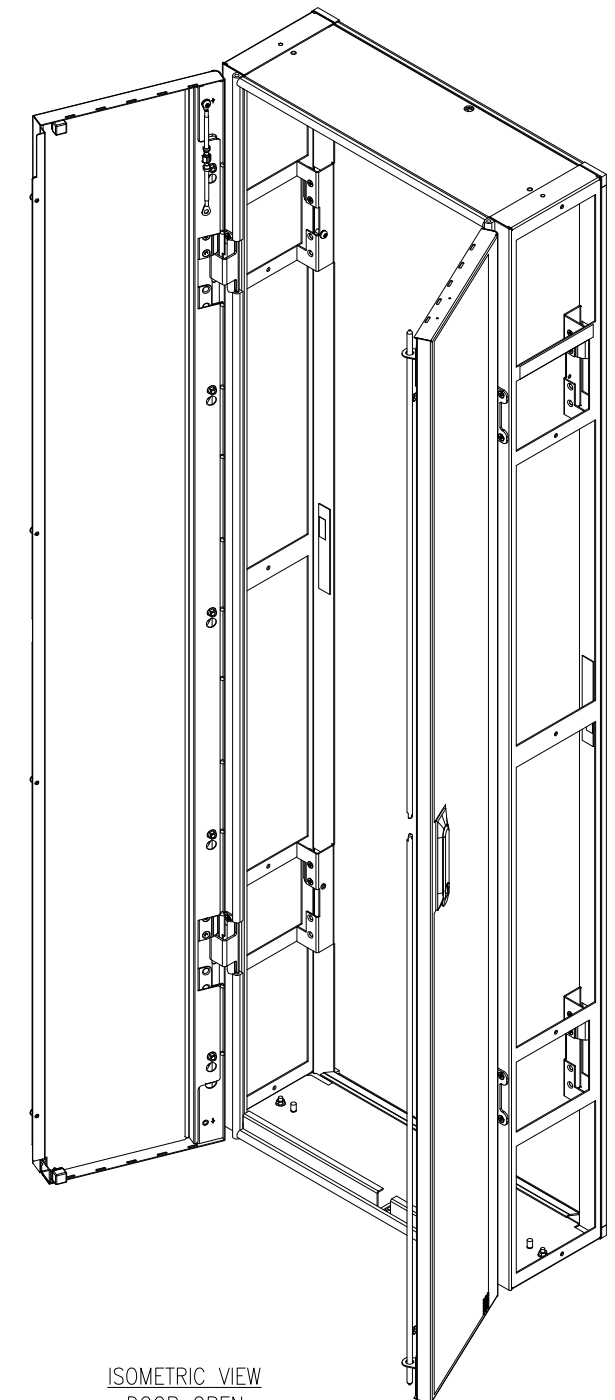
FRONT VIEW



SIDE VIEW



ISOMETRIC VIEW



ISOMETRIC VIEW
DOOR OPEN

NOTES:

1. INSTALLATION SHALL COMPLY WITH ALL APPLICABLE NATIONAL, STATE AND LOCAL CODES.
2. PLEASE REFER TO PRODUCT DOCUMENTATION FOR FURTHER INFORMATION.
3. UNLESS OTHERWISE SPECIFIED, ALL DIMENSIONS ARE IN INCHES [MILLIMETERS].
4. NET WEIGHT OF UNIT IS 47.30 lbs [21.50 kg].

THIS DRAWING AND SPECIFICATIONS HEREIN ARE THE PROPERTY OF SCHNEIDER ELECTRIC AND SHALL NOT BE COPIED, REPRODUCED OR USED IN WHOLE OR IN PART, AS THE BASIS FOR THE MANUFACTURE OR SALE OF ITEMS WITHOUT WRITTEN PERMISSION FROM SCHNEIDER ELECTRIC. THIS DRAWING IS BASED UPON LATEST AVAILABLE INFORMATION AND IS SUBJECT TO CHANGE WITHOUT NOTICE.



TITLE: RACK AIR CONTAINMENT REAR ASSEMBLY FOR NETSHELTER SX, 42U, 600mm WIDE InRow RP ASSEMBLY

PROJECT: STD SUBMITTAL DRAWING SHEET: 4 OF 4

DWG NO: **ACCS1001**
 DRAWN: C KRISHNA/S CUNHA 29-SEP-14
 ENGINEER: G IVEY/M BROWN 29-SEP-14
 APPROVED: C CUMMSKEY/C ZALDIVAR 29-SEP-14

REV. 1
 THIRD ANGLE PROJ