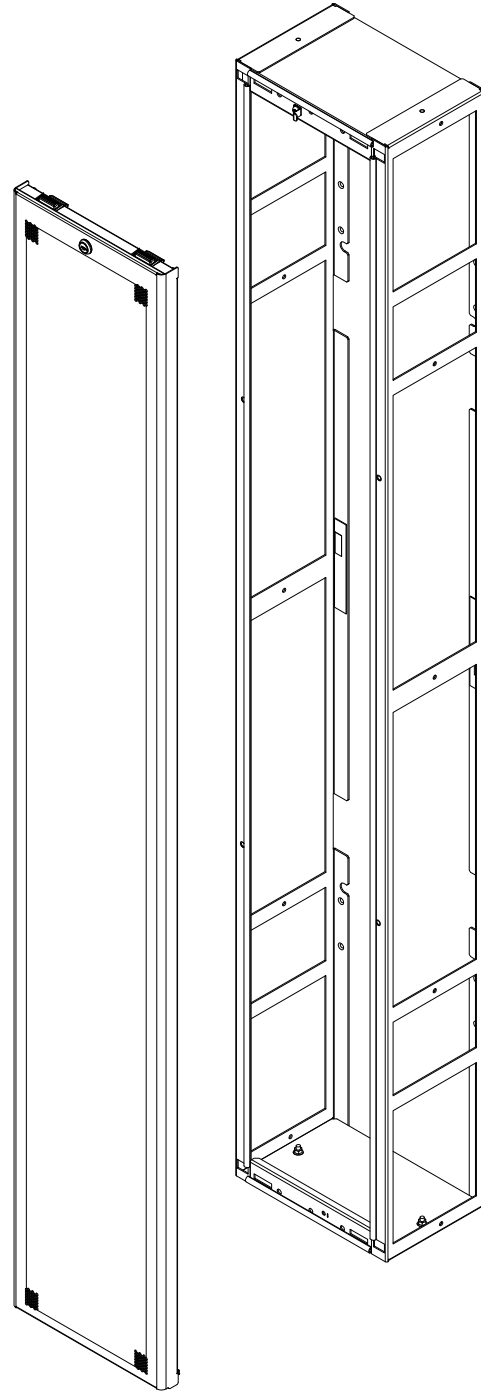
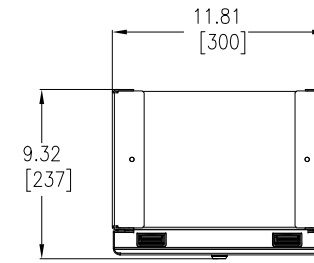


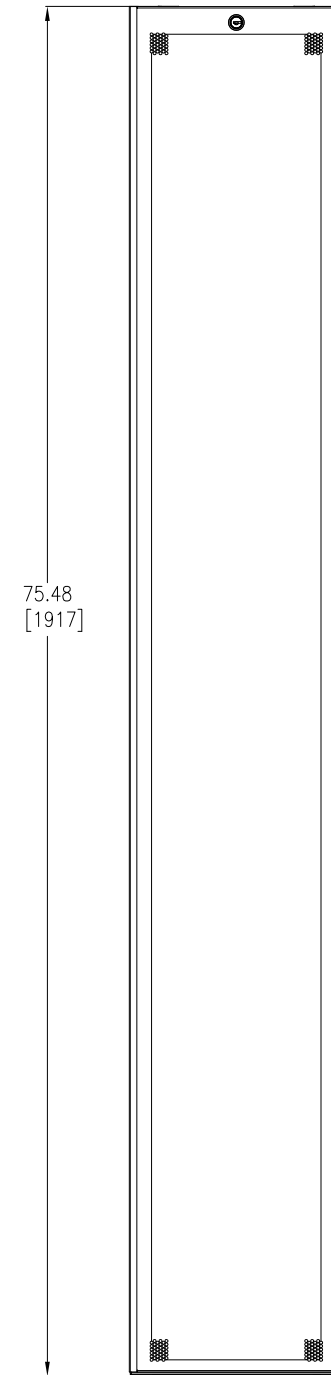
ISOMETRIC VIEW



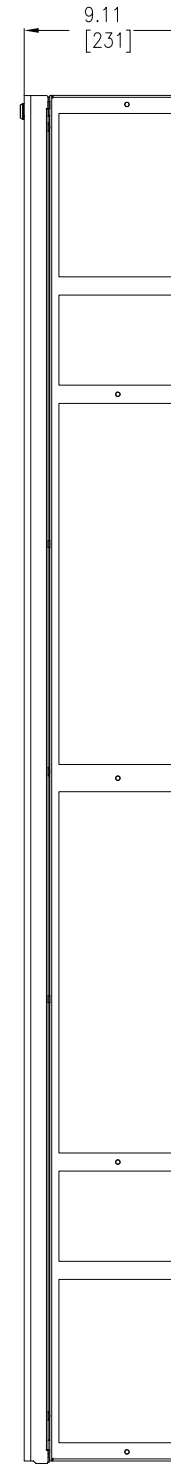
EXPLODED VIEW



TOP VIEW



FRONT VIEW



SIDE PLENUM

ACCS1000 ASSEMBLY

NOTES:

1. INSTALLATION SHALL COMPLY WITH ALL APPLICABLE NATIONAL, STATE AND LOCAL CODES.
2. PLEASE REFER TO PRODUCT DOCUMENTATION FOR FURTHER INFORMATION.
3. UNLESS OTHERWISE SPECIFIED, ALL DIMENSIONS ARE IN INCHES [MILLIMETERS].
4. NET WEIGHT OF THE UNIT IS 26.20 lbs [11.91 kg].

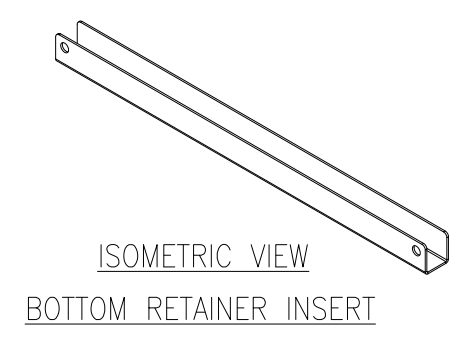
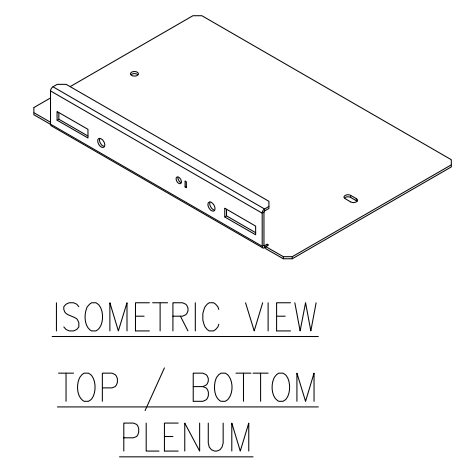
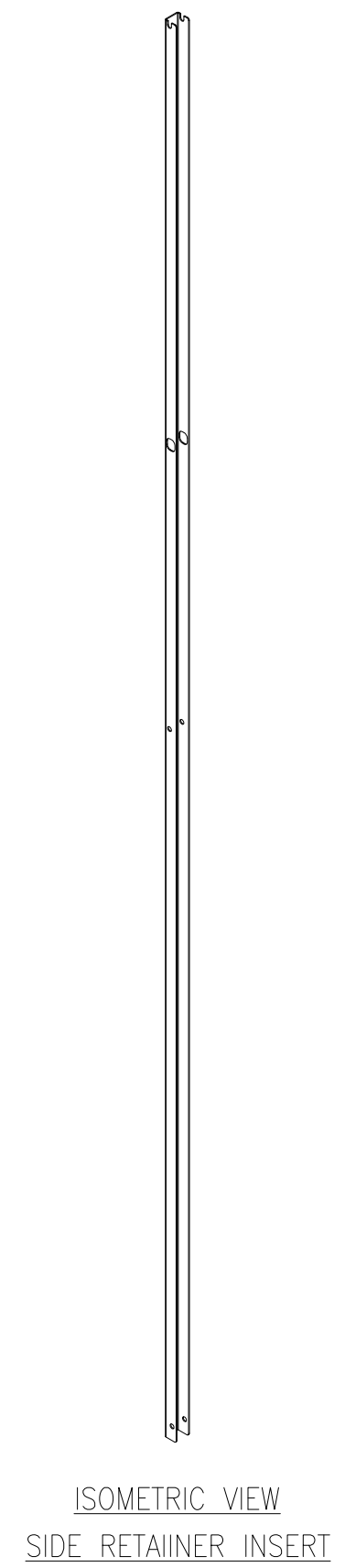
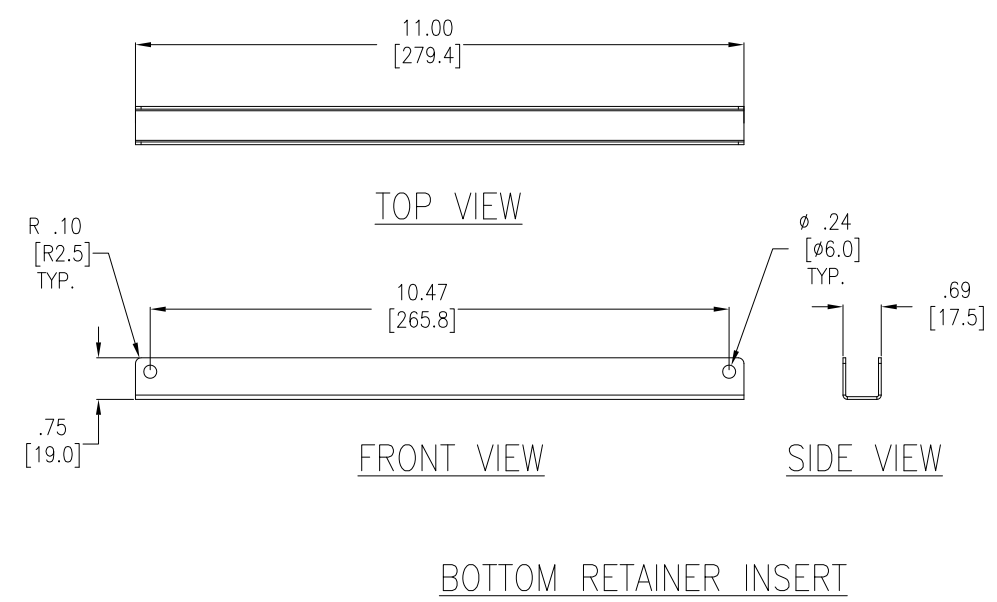
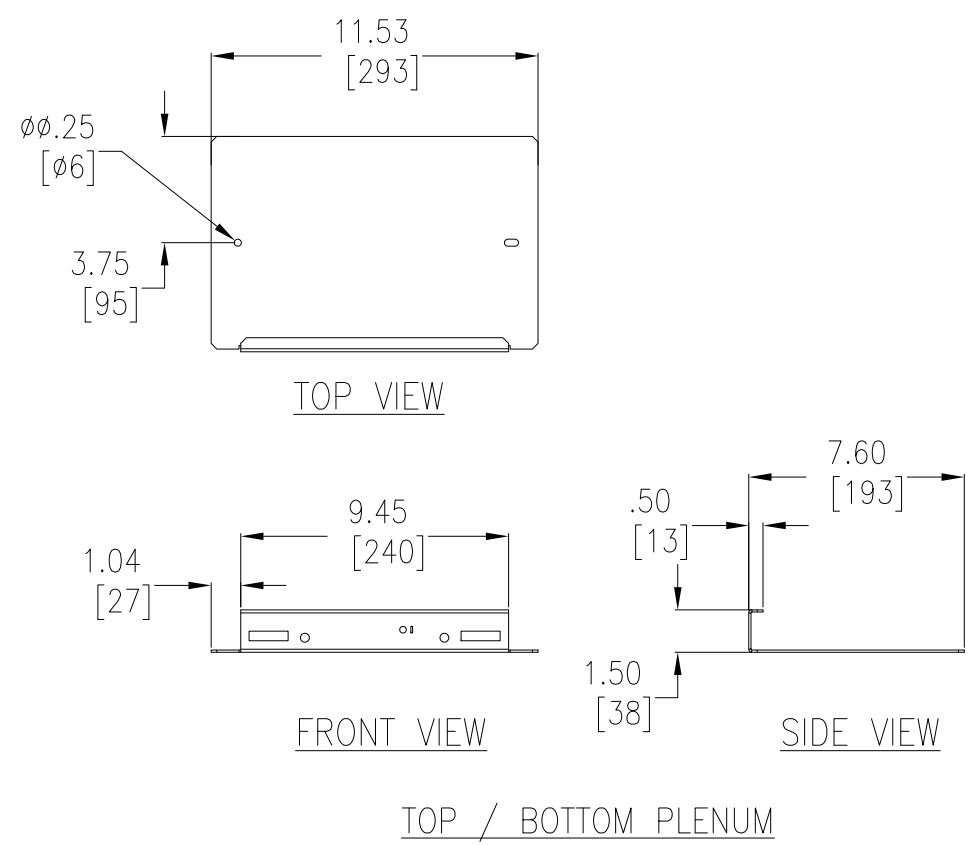
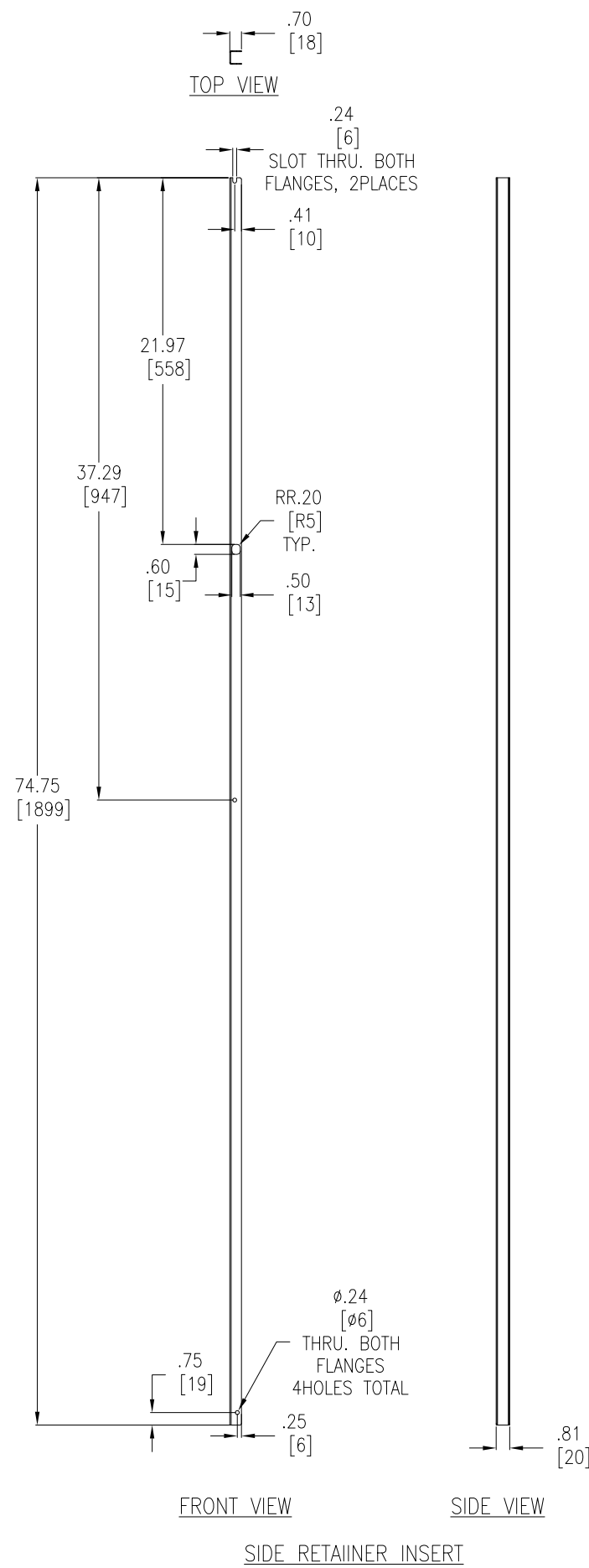
THIS DRAWING AND SPECIFICATIONS HEREIN ARE THE PROPERTY OF SCHNEIDER ELECTRIC AND SHALL NOT BE COPIED, REPRODUCED OR USED IN WHOLE OR IN PART, AS THE BASIS FOR THE MANUFACTURE OR SALE OF ITEMS WITHOUT WRITTEN PERMISSION FROM SCHNEIDER ELECTRIC. THIS DRAWING IS BASED UPON LATEST AVAILABLE INFORMATION AND IS SUBJECT TO CHANGE WITHOUT NOTICE.



TITLE: RACK AIR CONTAINMENT REAR ASSEMBLY FOR InRow RC & SC / SC ASSEMBLY

PROJECT: STD SUBMITTAL DRAWING SHEET: 1 OF 3

DWG NO:	ACCS1000		REV.	1
DRAWN:	C KRISHNA/S CUNHA	26-SEP-14	THIRD ANGLE PROJ	
ENGINEER:	G IVEY/M BROWN	26-SEP-14		
APPROVED:	C CUMMISKEY/C ZALDIVAR	26-SEP-14		



NOTES:

1. INSTALLATION SHALL COMPLY WITH ALL APPLICABLE NATIONAL, STATE AND LOCAL CODES.
2. PLEASE REFER TO PRODUCT DOCUMENTATION FOR FURTHER INFORMATION.
3. UNLESS OTHERWISE SPECIFIED, ALL DIMENSIONS ARE IN INCHES [MILLIMETERS].

THIS DRAWING AND SPECIFICATIONS HEREIN ARE THE PROPERTY OF SCHNEIDER ELECTRIC AND SHALL NOT BE COPIED, REPRODUCED OR USED IN WHOLE OR IN PART, AS THE BASIS FOR THE MANUFACTURE OR SALE OF ITEMS WITHOUT WRITTEN PERMISSION FROM SCHNEIDER ELECTRIC. THIS DRAWING IS BASED UPON LATEST AVAILABLE INFORMATION AND IS SUBJECT TO CHANGE WITHOUT NOTICE.		TITLE:	RACK AIR CONTAINMENT REAR ASSEMBLY FOR InRow RC & SC / SC SIDE & BOTTOM RETAINER INSERT & TOP OR BOTTOM PLENUM	DWG NO:	ACCS1000	REV.	1	
		PROJECT:	STD SUBMITTAL DRAWING	SHEET:	3 OF 3	DRAWN:	C KRISHNA/S CUNHA	26-SEP-14
		APPROVED:	C CUMMISKEY/C ZALDIWAR	26-SEP-14	ENGINEER:	G IVEY/M BROWN	26-SEP-14	THIRD ANGLE PROJ