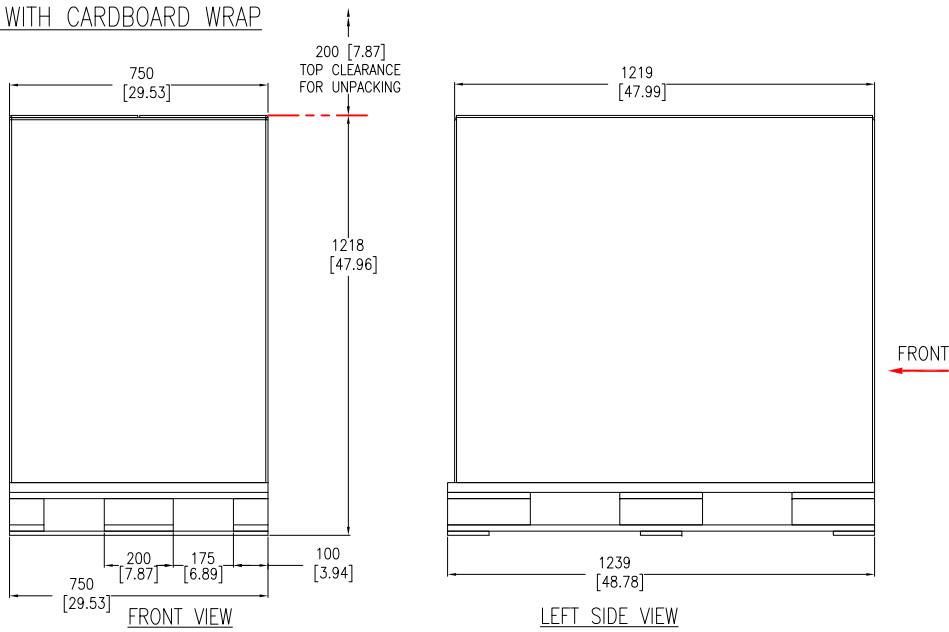
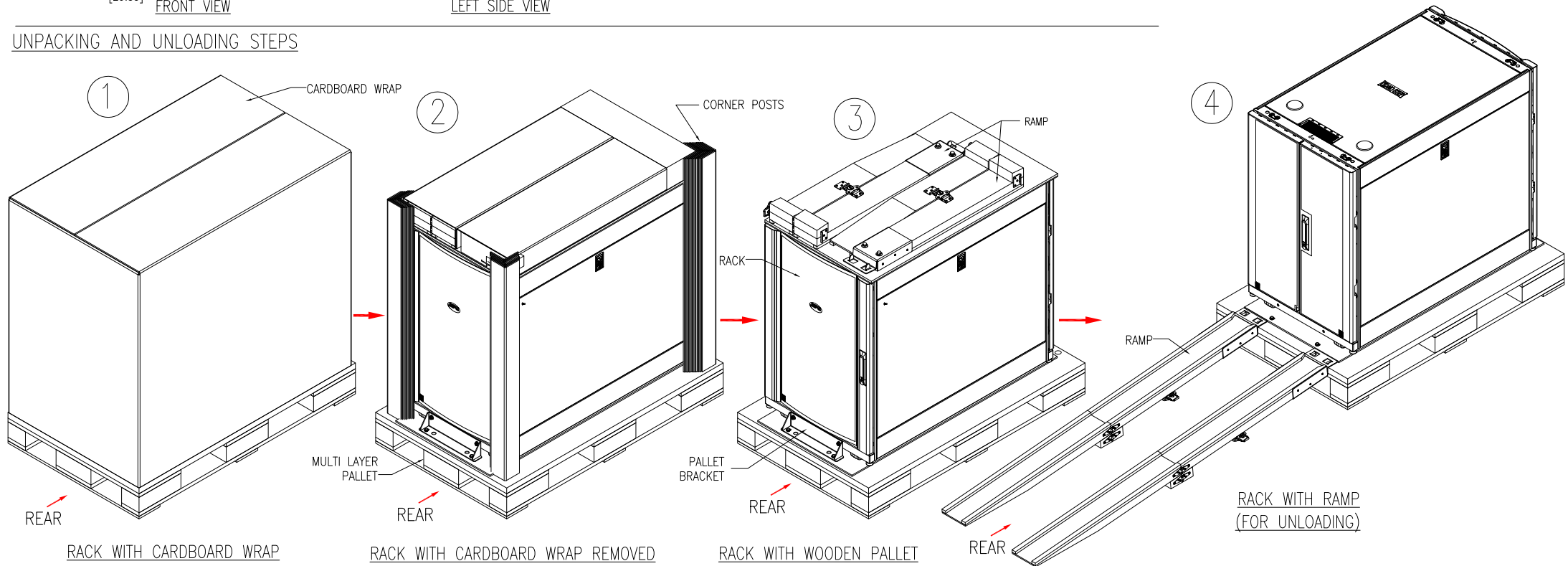


RACK WITH CARDBOARD WRAP



UNPACKING AND UNLOADING STEPS



NOTES:

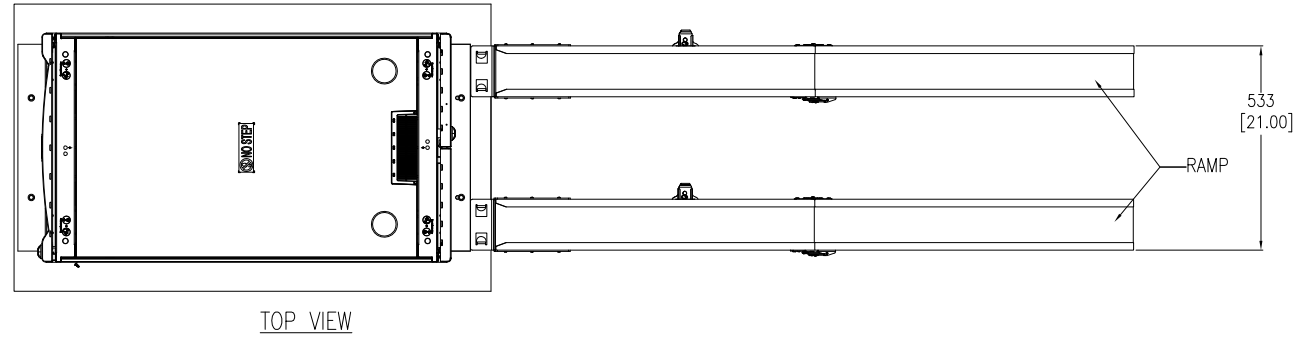
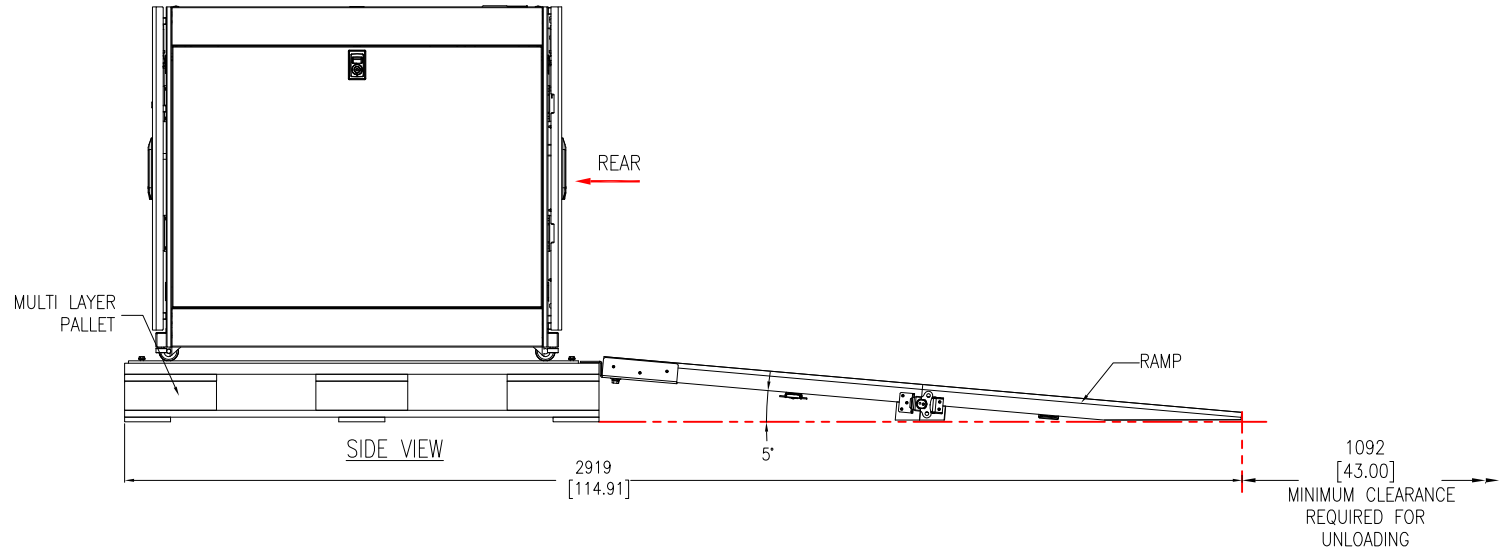
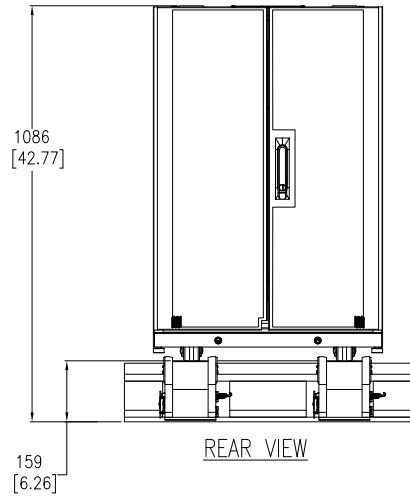
1. INSTALLATION SHALL COMPLY WITH ALL APPLICABLE NATIONAL, STATE AND LOCAL ELECTRICAL REGULATIONS.
2. REFER TO PRODUCT DOCUMENTATION FOR ADDITIONAL DETAILS PRIOR TO INSTALLATION AND SITE PREPARATION WORK.
3. ALL DIMENSIONS ARE IN MILLIMETERS [INCHES].
4. SHIPPING WEIGHT OF UNIT IS 408kg [900 lb].
5. REFER TO INSTRUCTION MANUAL 990-6083 FOR UNPACKING AND RAMP ASSEMBLY AND UNLOADING DETAILS.

THIS DRAWING AND SPECIFICATIONS HEREIN ARE THE PROPERTY OF SCHNEIDER ELECTRIC AND SHALL NOT BE COPIED, REPRODUCED OR USED IN WHOLE OR IN PART, AS THE BASIS FOR THE MANUFACTURE OR SALE OF ITEMS WITHOUT WRITTEN PERMISSION FROM SCHNEIDER ELECTRIC. THIS DRAWING IS BASED UPON LATEST AVAILABLE INFORMATION AND IS SUBJECT TO CHANGE WITHOUT NOTICE.



TITLE: NetShelter SX 18U  
600mm WIDE x 1070mm DEEP SERVER RACK  
ENCLOSURE WITH SIDES-SHOCK PACKAGING  
PACKING & UNLOADING DETAILS

DWG NO:	AR3106SP	REV:	0
DRAWN BY:	JAYAPRAKASH	DATE:	17-MAY-19
ENGINEER:	Jinxin REN	DATE:	20-MAY-19
APPROVED BY:	TBD	DATE:	20-MAY-19
PROJECT:	SUBMITTAL DRAWINGS SHEET 1 OF 5		
			FIRST ANGLE PROJECTION



- NOTES:**
1. INSTALLATION SHALL COMPLY WITH ALL APPLICABLE NATIONAL, STATE AND LOCAL ELECTRICAL REGULATIONS.
  2. REFER TO PRODUCT DOCUMENTATION FOR ADDITIONAL DETAILS PRIOR TO INSTALLATION AND SITE PREPARATION WORK.
  3. ALL DIMENSIONS ARE IN MILLIMETERS [INCHES].

THIS DRAWING AND SPECIFICATIONS HEREIN ARE THE PROPERTY OF SCHNEIDER ELECTRIC AND SHALL NOT BE COPIED, REPRODUCED OR USED IN WHOLE OR IN PART, AS THE BASIS FOR THE MANUFACTURE OR SALE OF ITEMS WITHOUT WRITTEN PERMISSION FROM SCHNEIDER ELECTRIC. THIS DRAWING IS BASED UPON LATEST AVAILABLE INFORMATION AND IS SUBJECT TO CHANGE WITHOUT NOTICE.



TITLE: NetShelter SX 18U  
600mm WIDEx1070mm DEEP SERVER RACK  
ENCLOSURE WITH SIDES-SHOCK PACKAGING  
UNLOADING DETAILS

PROJECT: SUBMITTAL DRAWINGS SHEET 2 OF 5

DWG NO: AR3106SP

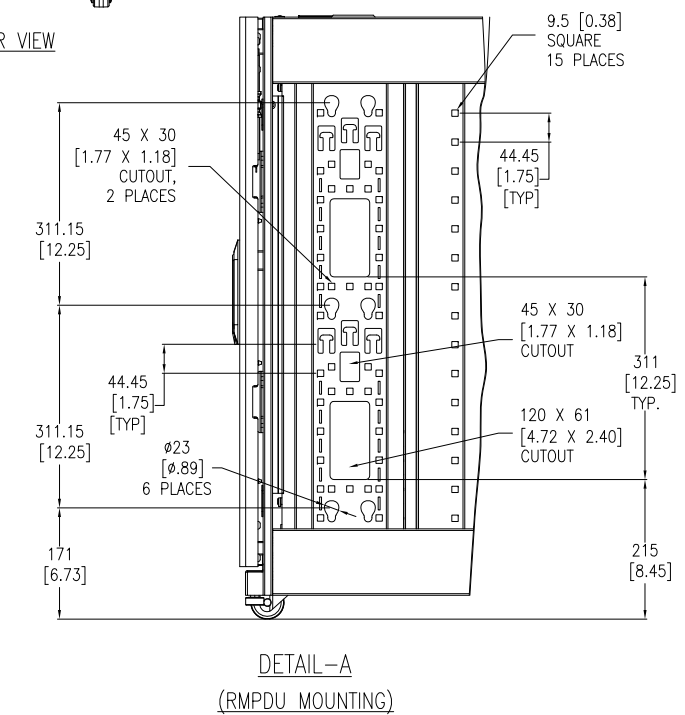
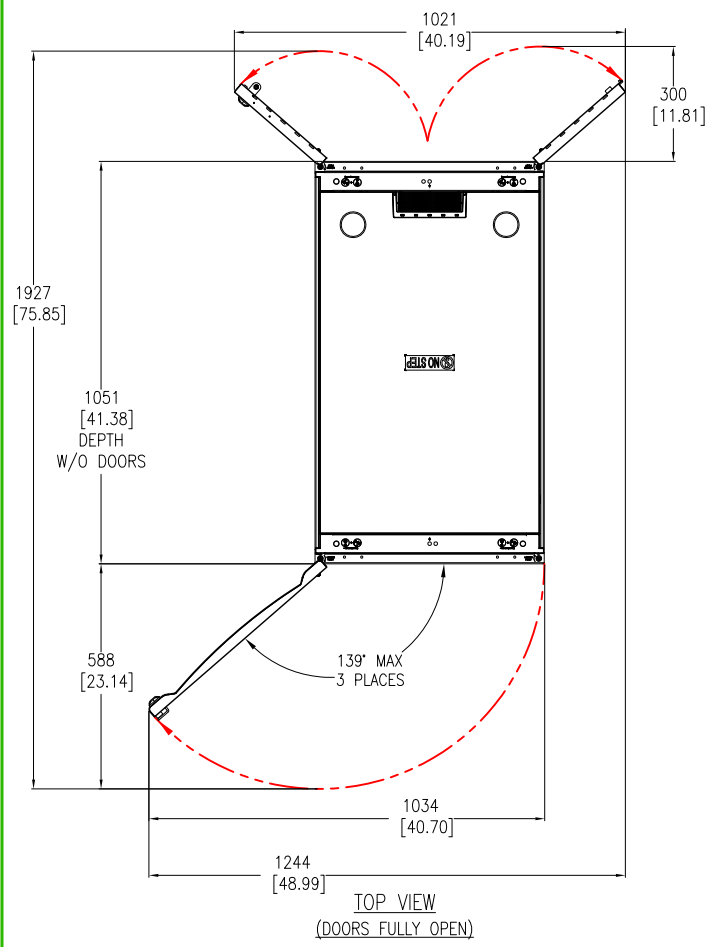
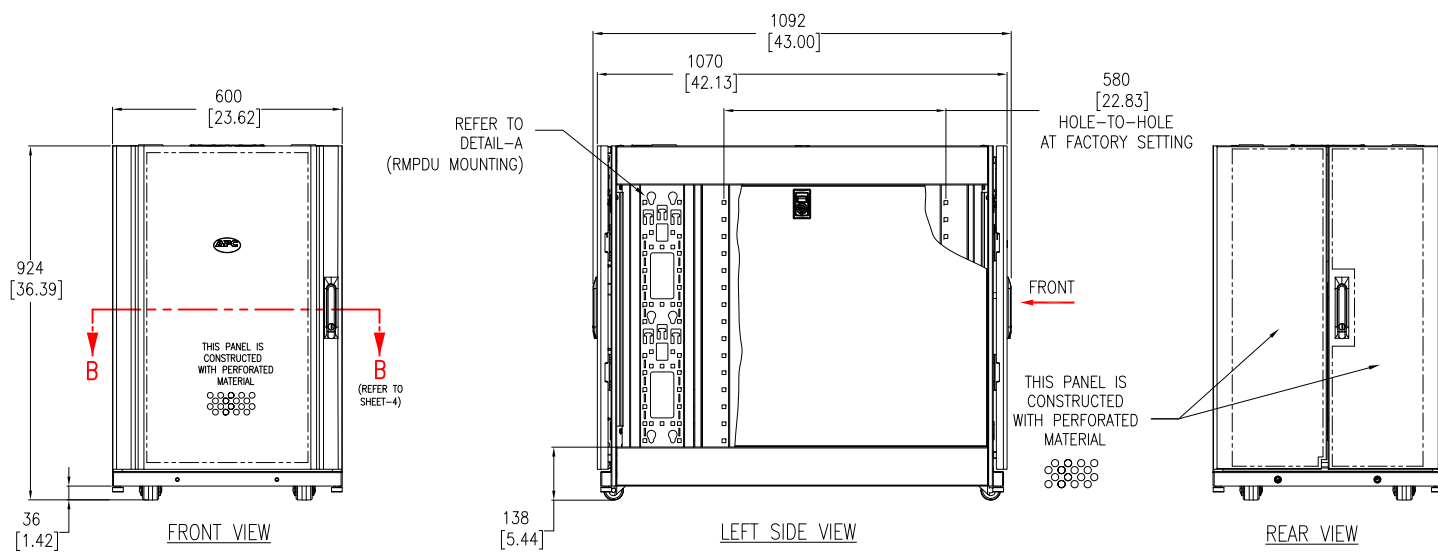
DRAWN BY: JAYAPRAKASH 17-MAY-19

ENGINEER: Jinxin REN 20-MAY-19

APPROVED BY: TBD 20-MAY-19

REV. 0

FIRST ANGLE PROJECTION

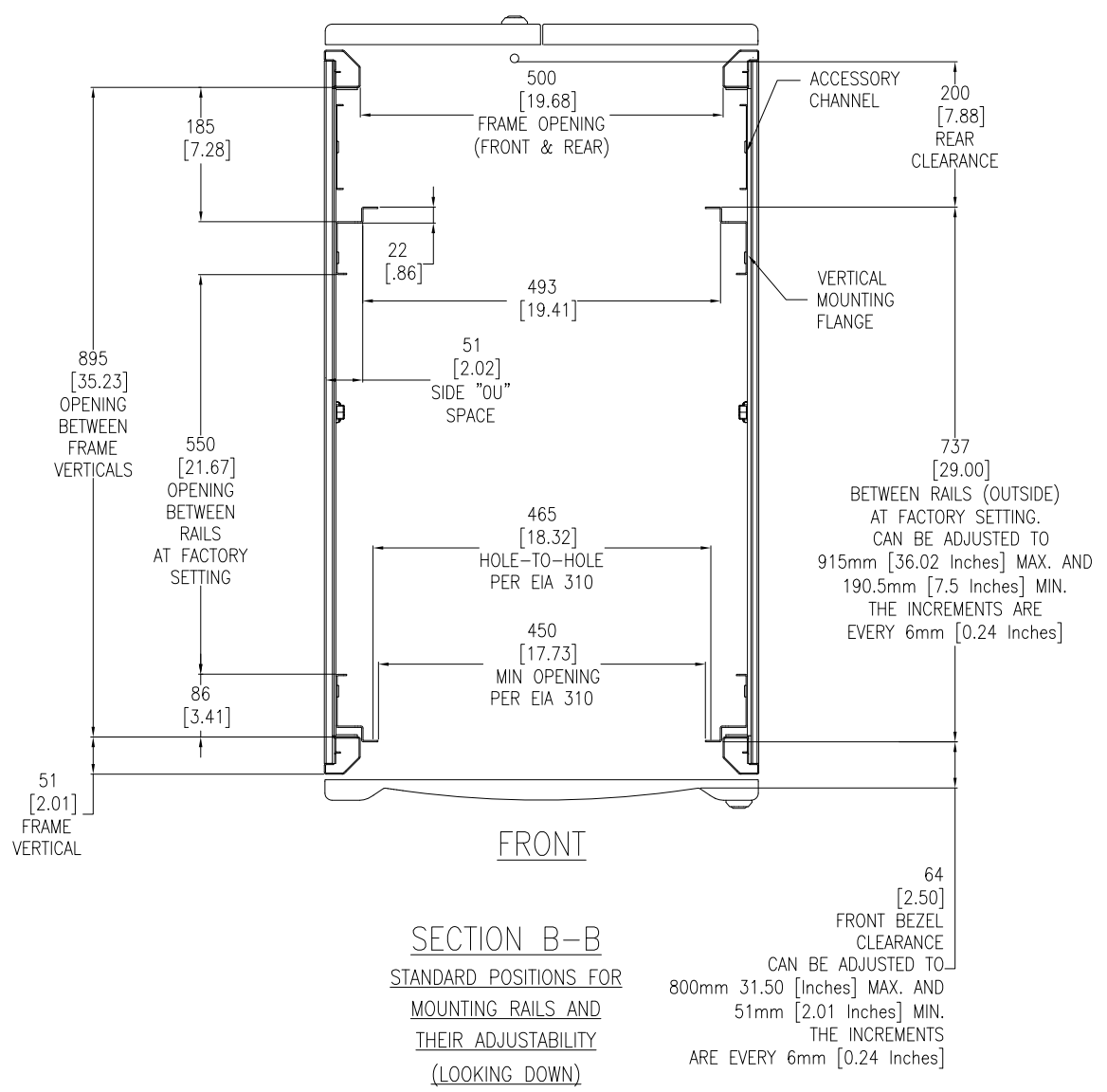
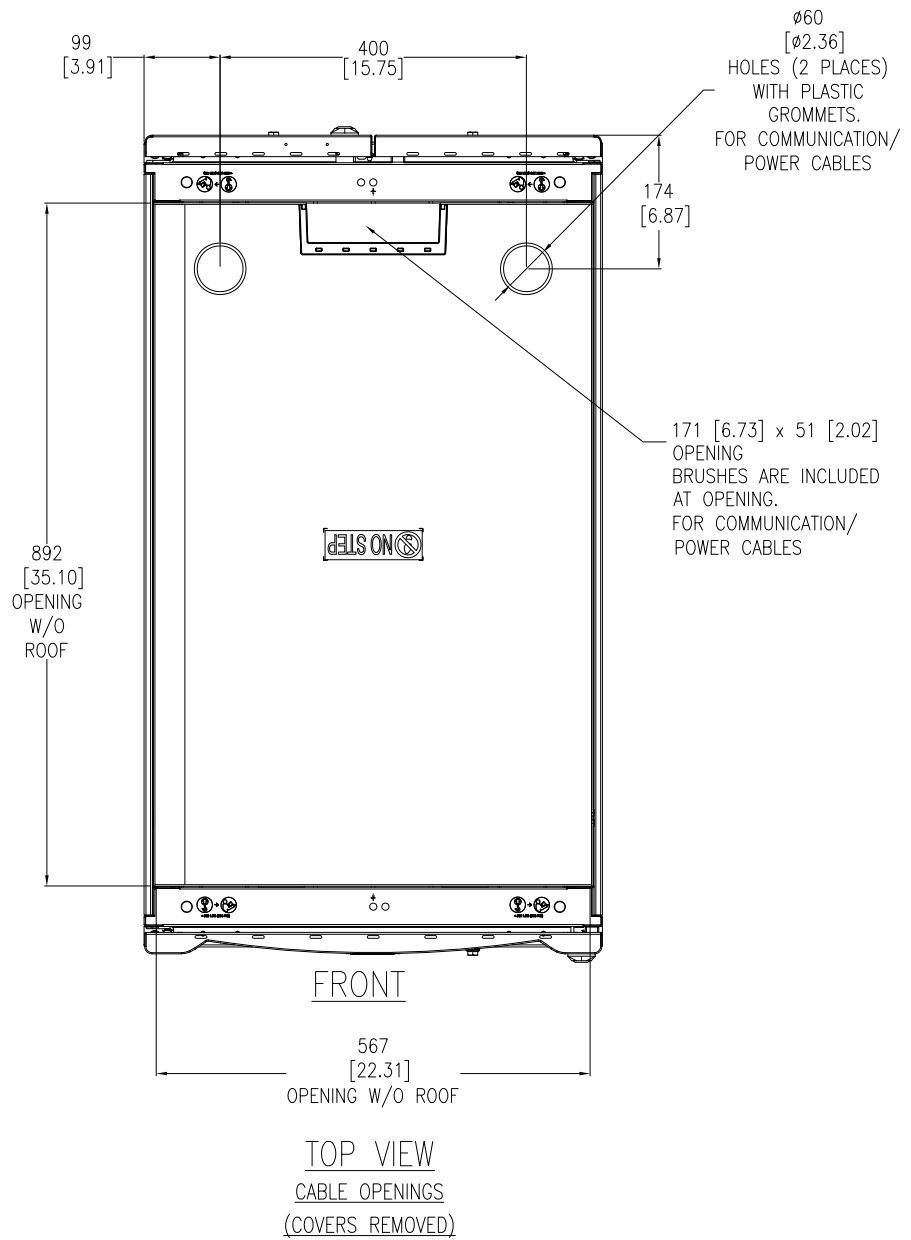


- NOTES:**
1. INSTALLATION SHALL COMPLY WITH ALL APPLICABLE NATIONAL, STATE AND LOCAL ELECTRICAL REGULATIONS.
  2. REFER TO PRODUCT DOCUMENTATION FOR ADDITIONAL DETAILS PRIOR TO INSTALLATION AND SITE PREPARATION WORK.
  3. ALL DIMENSIONS ARE IN MILLIMETERS [INCHES].
  4. NET WEIGHT OF UNIT IS 72kg [159 lb].
  5. MAXIMUM INSTALLED EQUIPMENT WEIGHT IS 408kg [900 lb].
  6. CABLE ENTRY IS TOP OR BOTTOM OF THE UNIT.
  7. FRONT AND REAR SERVICE ACCESS REQUIRED.
  8. AIR FLOW AND SERVICE REQUIREMENTS, AS WELL AS MINIMUM CLEARANCE TO FIRE SUPPRESSION SYSTEMS SHOULD BE CONSIDERED WHEN LOCATING THE ENCLOSURE.

THIS DRAWING AND SPECIFICATIONS HEREIN ARE THE PROPERTY OF SCHNEIDER ELECTRIC AND SHALL NOT BE COPIED, REPRODUCED OR USED IN WHOLE OR IN PART, AS THE BASIS FOR THE MANUFACTURE OR SALE OF ITEMS WITHOUT WRITTEN PERMISSION FROM SCHNEIDER ELECTRIC. THIS DRAWING IS BASED UPON LATEST AVAILABLE INFORMATION AND IS SUBJECT TO CHANGE WITHOUT NOTICE.

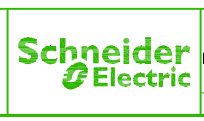


TITLE: NetShelter SX 18U 600mm WIDE x 1070mm DEEP SERVER RACK ENCLOSURE WITH SIDES-SHOCK PACKAGING GENERAL ARRANGEMENT		DWG NO: AR3106SP	REV: 0
PROJECT: SUBMITTAL DRAWINGS SHEET 3 OF 5		DRAWN BY: JAYAPRAKASH	17-MAY-19
		ENGINEER: Jimxin REN	20-MAY-19
		APPROVED BY: TBD	20-MAY-19
			FIRST ANGLE PROJECTION



- NOTES:
1. INSTALLATION SHALL COMPLY WITH ALL APPLICABLE NATIONAL, STATE AND LOCAL ELECTRICAL REGULATIONS.
  2. REFER TO PRODUCT DOCUMENTATION FOR ADDITIONAL DETAILS PRIOR TO INSTALLATION AND SITE PREPARATION WORK.
  3. ALL DIMENSIONS ARE IN MILLIMETERS [INCHES].

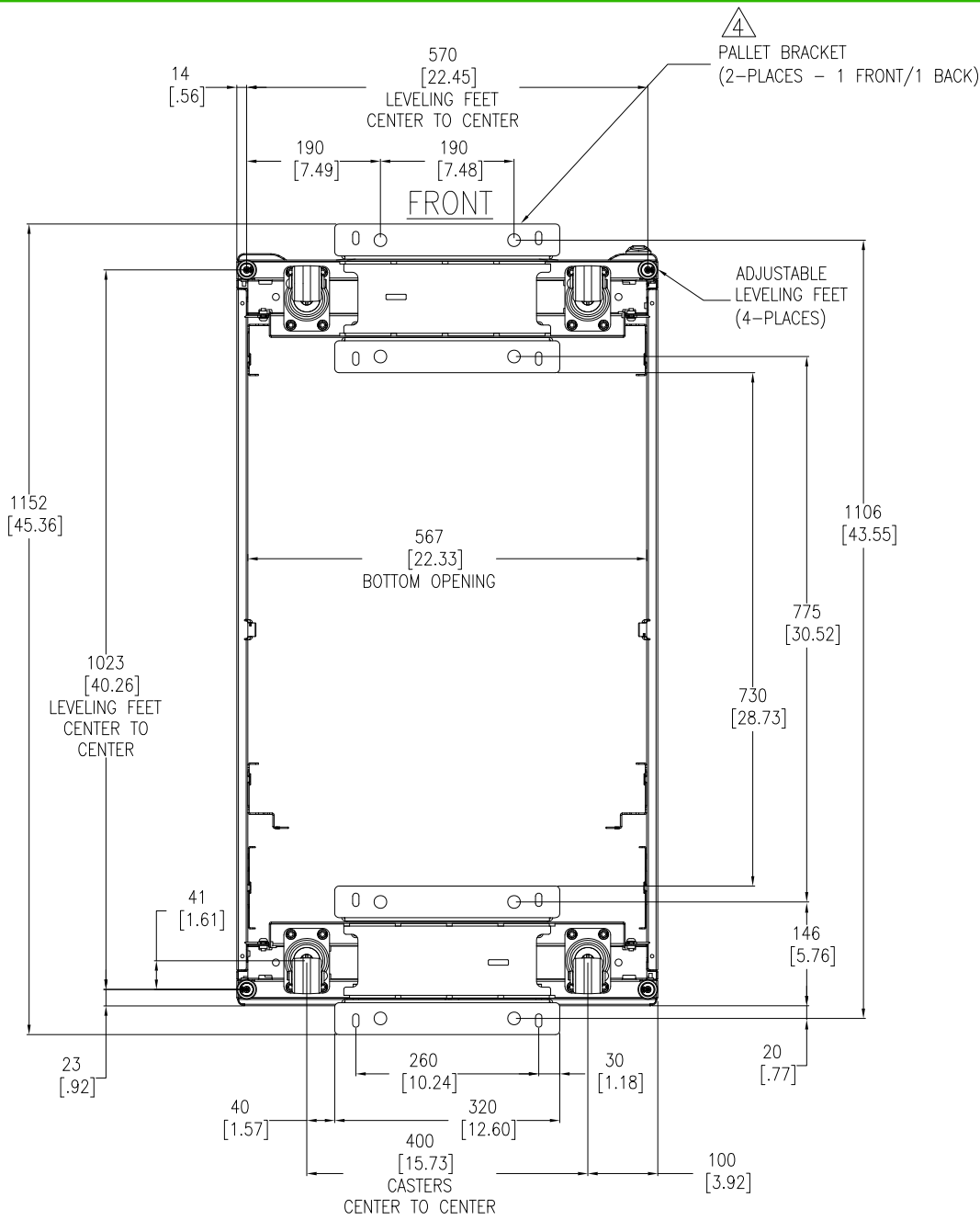
THIS DRAWING AND SPECIFICATIONS HEREIN ARE THE PROPERTY OF SCHNEIDER ELECTRIC AND SHALL NOT BE COPIED, REPRODUCED OR USED IN WHOLE OR IN PART, AS THE BASIS FOR THE MANUFACTURE OR SALE OF ITEMS WITHOUT WRITTEN PERMISSION FROM SCHNEIDER ELECTRIC. THIS DRAWING IS BASED UPON LATEST AVAILABLE INFORMATION AND IS SUBJECT TO CHANGE WITHOUT NOTICE.



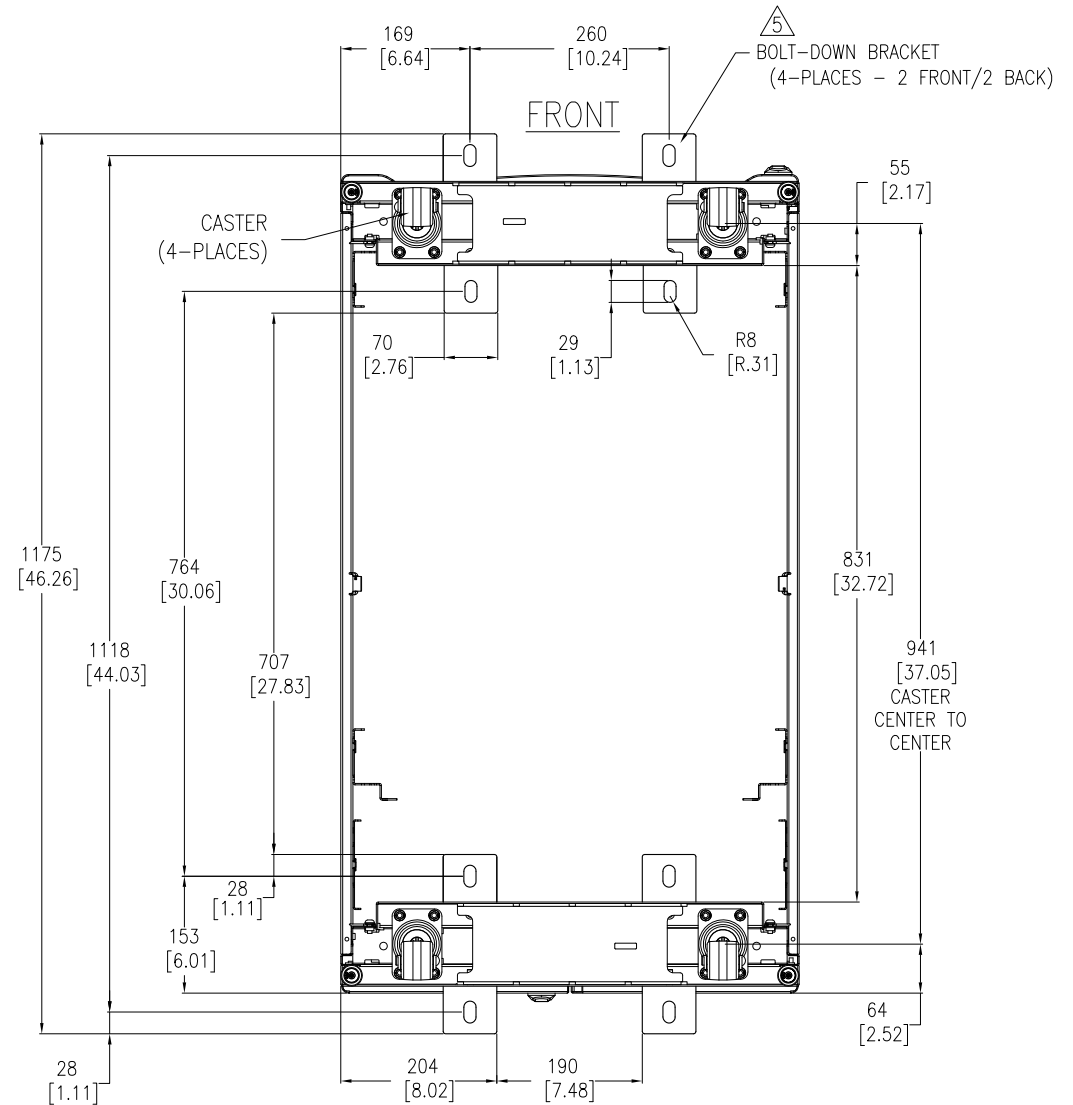
TITLE: NetShelter SX 18U  
 600mm WIDE x 1070mm DEEP SERVER RACK  
 ENCLOSURE WITH SIDES-SHOCK PACKAGING  
 TOP VIEW & SECTION VIEW

DWG NO:	AR3106SP	REV:	0
DRAWN BY:	JAYAPRAKASH	17-MAY-19	FIRST ANGLE
ENGINEER:	Jinxin REN	20-MAY-19	PROJECTION
APPROVED BY:	TBD	20-MAY-19	

PROJECT: SUBMITTAL DRAWINGS SHEET 4 OF 5



**BOTTOM VIEW - TOP ROOF NOT SHOWN**  
(WITH PALLET BRACKETS, CAN BE USED FOR ANCHORING)



**BOTTOM VIEW -TOP ROOF NOT SHOWN**  
(WITH OPTIONAL BOLT-DOWN BRACKETS FOR ANCHORING)

- NOTES:
1. INSTALLATION SHALL COMPLY WITH ALL APPLICABLE NATIONAL, STATE AND LOCAL ELECTRICAL REGULATIONS.
  2. REFER TO PRODUCT DOCUMENTATION FOR ADDITIONAL DETAILS PRIOR TO INSTALLATION AND SITE PREPARATION WORK.
  3. ALL DIMENSIONS ARE IN MILLIMETERS [INCHES].
  - △4. ANCHORING CAN BE INSTALLED EITHER INSIDE OR OUTSIDE THE NetShelter WITH ONE AT FRONT AND ONE IN BACK.
  - △5. BOLT-DOWN KIT (SKU# AR7701) IS OPTIONAL AND HAS TO BE ORDERED SEPARATELY.

THIS DRAWING AND SPECIFICATIONS HEREIN ARE THE PROPERTY OF SCHNEIDER ELECTRIC AND SHALL NOT BE COPIED, REPRODUCED OR USED IN WHOLE OR IN PART, AS THE BASIS FOR THE MANUFACTURE OR SALE OF ITEMS WITHOUT WRITTEN PERMISSION FROM SCHNEIDER ELECTRIC. THIS DRAWING IS BASED UPON LATEST AVAILABLE INFORMATION AND IS SUBJECT TO CHANGE WITHOUT NOTICE.



TITLE: NetShelter SX 18U  
600mm WIDEx1070mm DEEP SERVER RACK  
ENCLOSURE WITH SIDES-SHOCK PACKAGING  
BOTTOM VIEWS & ANCHORING DETAILS

PROJECT: SUBMITTAL DRAWINGS SHEET 5 OF 5

DWG NO: AR3106SP

DRAWN BY: JAYAPRAKASH 17-MAY-19

ENGINEER: Jinxin REN 20-MAY-19

APPROVED BY: TBD 20-MAY-19

REV: 0

FIRST ANGLE PROJECTION