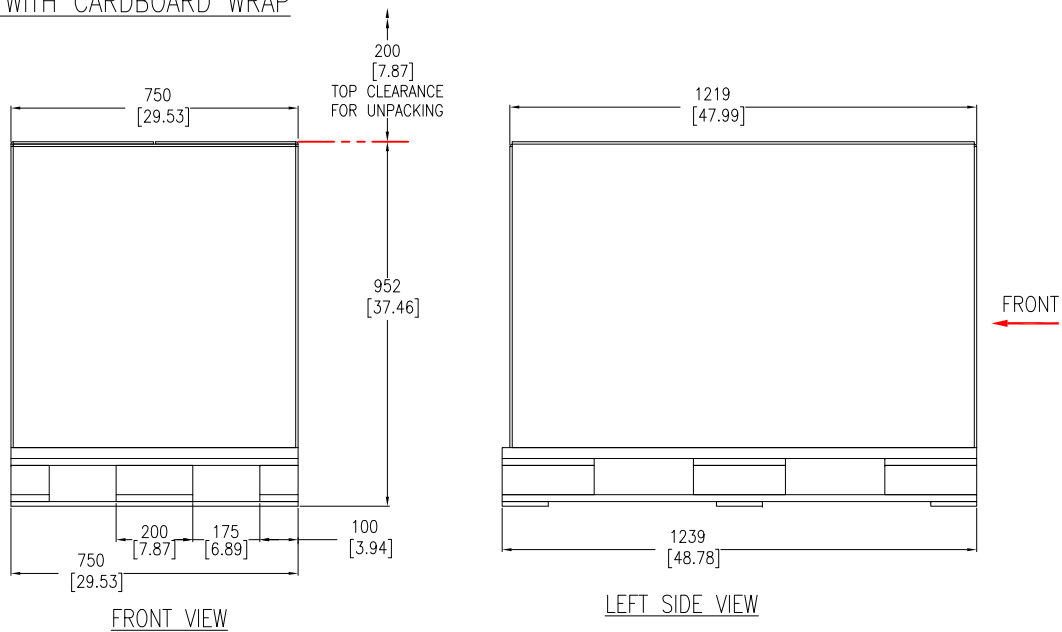
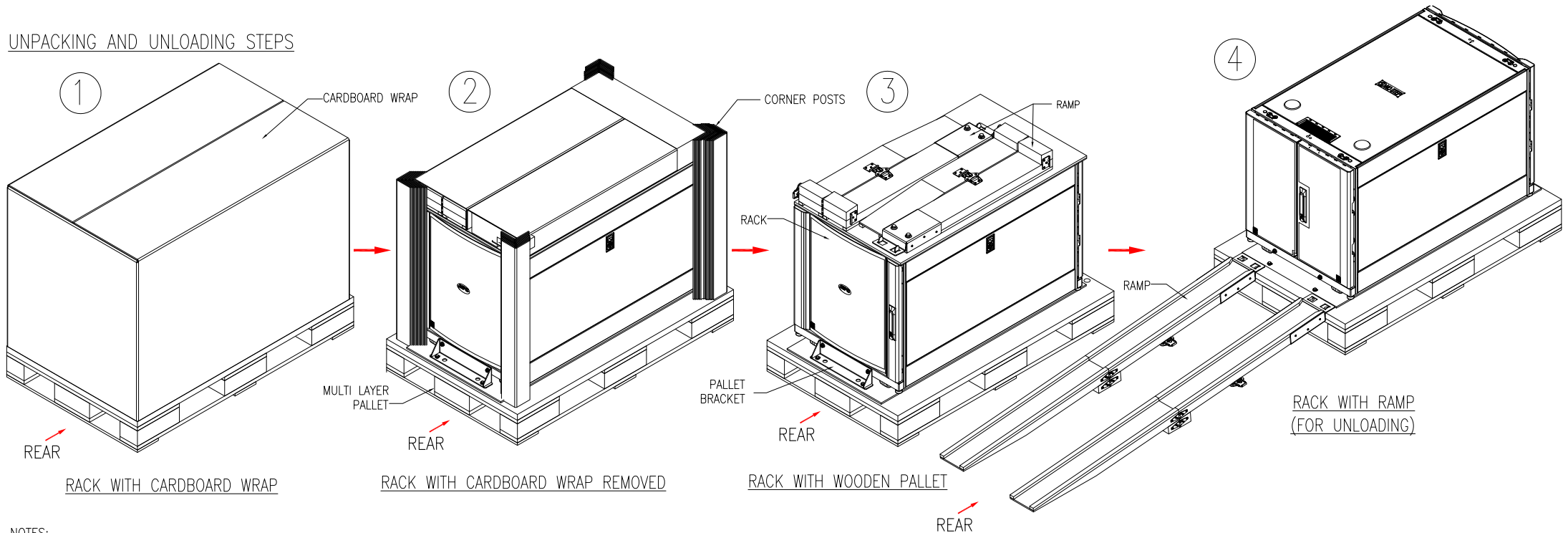


# RACK WITH CARDBOARD WRAP



# UNPACKING AND UNLOADING STEPS



- NOTES:**
1. INSTALLATION SHALL COMPLY WITH ALL APPLICABLE NATIONAL, STATE AND LOCAL ELECTRICAL REGULATIONS.
  2. REFER TO PRODUCT DOCUMENTATION FOR ADDITIONAL DETAILS PRIOR TO INSTALLATION AND SITE PREPARATION WORK.
  3. ALL DIMENSIONS ARE IN MILLIMETERS [INCHES].
  4. SHIPPING WEIGHT OF UNIT IS 272kg [600 lb].
  5. REFER TO INSTRUCTION MANUAL 990-6083 FOR UNPACKING AND RAMP ASSEMBLY AND UNLOADING DETAILS.

THIS DRAWING AND SPECIFICATIONS HEREIN ARE THE PROPERTY OF SCHNEIDER ELECTRIC AND SHALL NOT BE COPIED, REPRODUCED OR USED IN WHOLE OR IN PART, AS THE BASIS FOR THE MANUFACTURE OR SALE OF ITEMS WITHOUT WRITTEN PERMISSION FROM SCHNEIDER ELECTRIC. THIS DRAWING IS BASED UPON LATEST AVAILABLE INFORMATION AND IS SUBJECT TO CHANGE WITHOUT NOTICE.

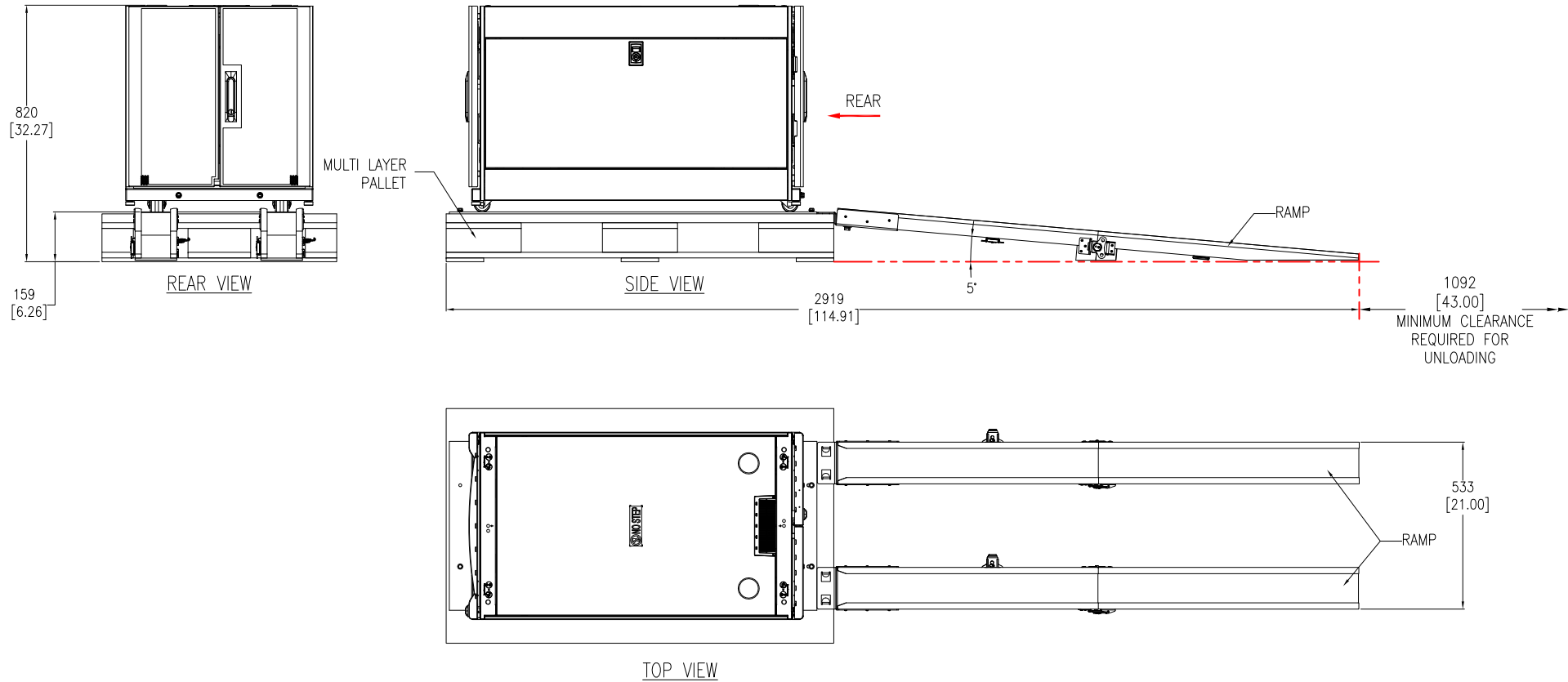


**TITLE:** NetShelter SX 12U  
600mm WIDE x 1070mm DEEP SERVER RACK  
ENCLOSURE WITH SIDES-SHOCK PACKAGING  
PACKING & UNLOADING DETAILS

PROJECT: SUBMITTAL DRAWINGS SHEET 1 OF 5

<b>DWG NO:</b> AR3103SP	<b>REV:</b> 0
<b>DRAWN BY:</b> JAYAPRAKASH	17-MAY-19
<b>ENGINEER:</b> Jinxin REN	20-MAY-19
<b>APPROVED BY:</b> TBD	20-MAY-19

FIRST ANGLE PROJECTION



- NOTES:**
1. INSTALLATION SHALL COMPLY WITH ALL APPLICABLE NATIONAL, STATE AND LOCAL ELECTRICAL REGULATIONS.
  2. REFER TO PRODUCT DOCUMENTATION FOR ADDITIONAL DETAILS PRIOR TO INSTALLATION AND SITE PREPARATION WORK.
  3. ALL DIMENSIONS ARE IN MILLIMETERS [INCHES].

THIS DRAWING AND SPECIFICATIONS HEREIN ARE THE PROPERTY OF SCHNEIDER ELECTRIC AND SHALL NOT BE COPIED, REPRODUCED OR USED IN WHOLE OR IN PART, AS THE BASIS FOR THE MANUFACTURE OR SALE OF ITEMS WITHOUT WRITTEN PERMISSION FROM SCHNEIDER ELECTRIC. THIS DRAWING IS BASED UPON LATEST AVAILABLE INFORMATION AND IS SUBJECT TO CHANGE WITHOUT NOTICE.



TITLE: NetShelter SX 12U  
600mm WIDEX1070mm DEEP SERVER RACK  
ENCLOSURE WITH SIDES-SHOCK PACKAGING  
UNLOADING DETAILS

PROJECT: SUBMITTAL DRAWINGS SHEET 2 OF 5

DWG NO: AR3103SP

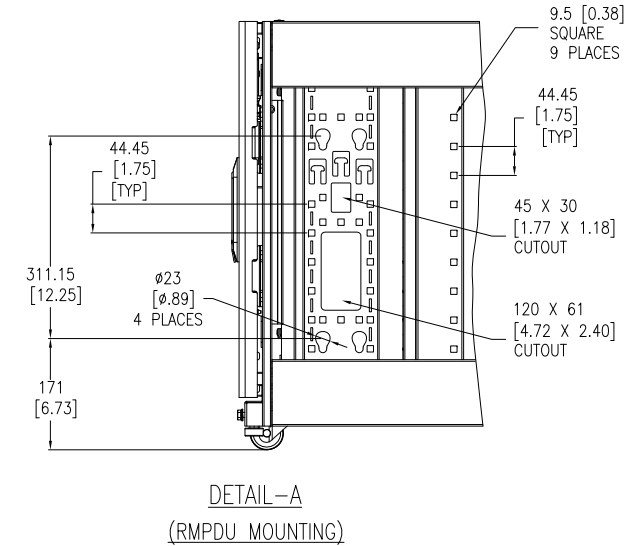
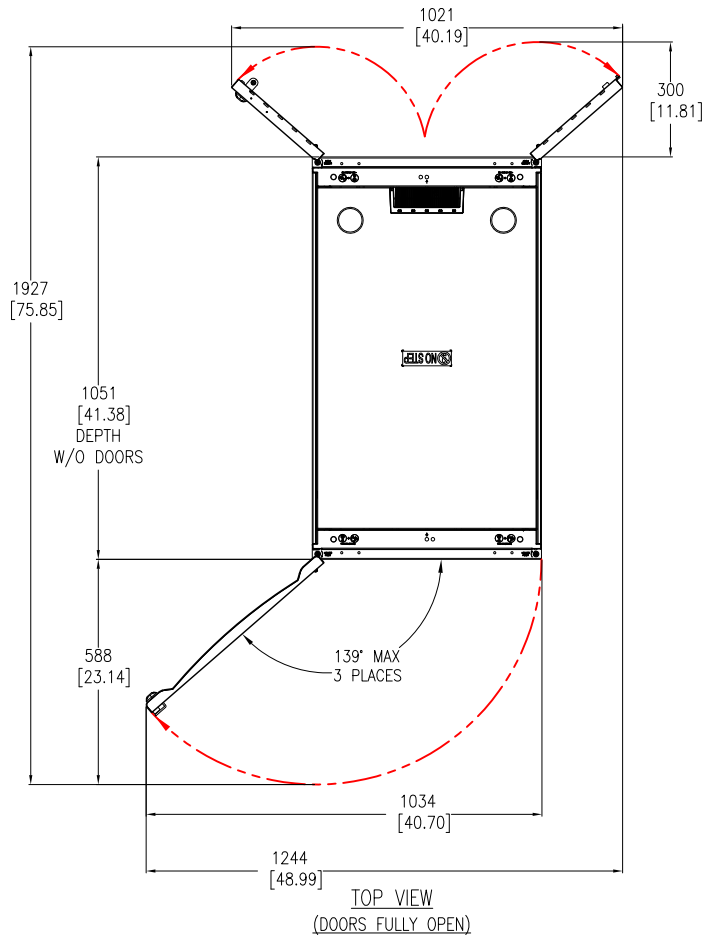
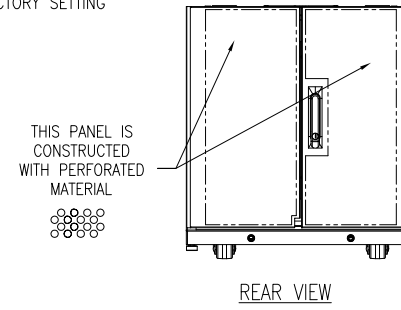
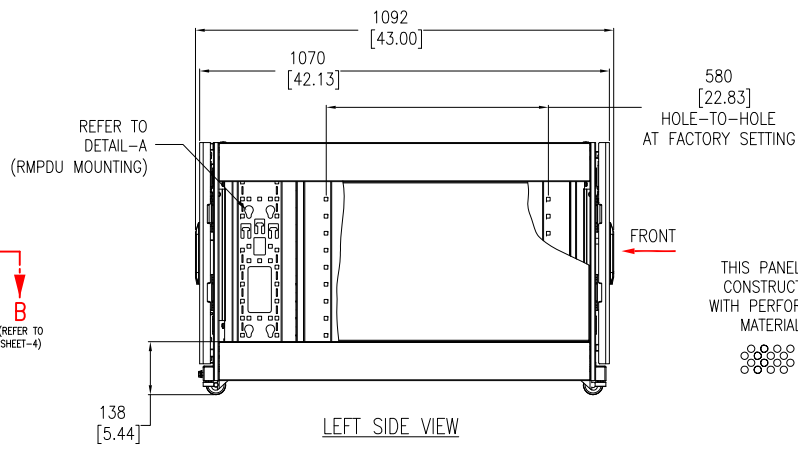
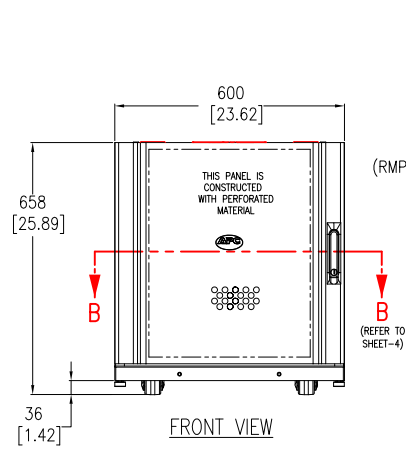
DRAWN BY: JAYAPRAKASH 17-MAY-19

ENGINEER: Jimxin REN 20-MAY-19

APPROVED BY: TBD 20-MAY-19

REV. 0

FIRST ANGLE PROJECTION



**NOTES:**

1. INSTALLATION SHALL COMPLY WITH ALL APPLICABLE NATIONAL, STATE AND LOCAL ELECTRICAL REGULATIONS.
2. REFER TO PRODUCT DOCUMENTATION FOR ADDITIONAL DETAILS PRIOR TO INSTALLATION AND SITE PREPARATION WORK.
3. ALL DIMENSIONS ARE IN MILLIMETERS [INCHES].
4. NET WEIGHT OF UNIT IS 59kg [130 lb].
5. MAXIMUM INSTALLED EQUIPMENT WEIGHT IS 272kg [600 lb].
6. CABLE ENTRY IS TOP OR BOTTOM OF THE UNIT.
7. FRONT AND REAR SERVICE ACCESS REQUIRED.
8. AIR FLOW AND SERVICE REQUIREMENTS, AS WELL AS MINIMUM CLEARANCE TO FIRE SUPPRESSION SYSTEMS SHOULD BE CONSIDERED WHEN LOCATING THE ENCLOSURE.

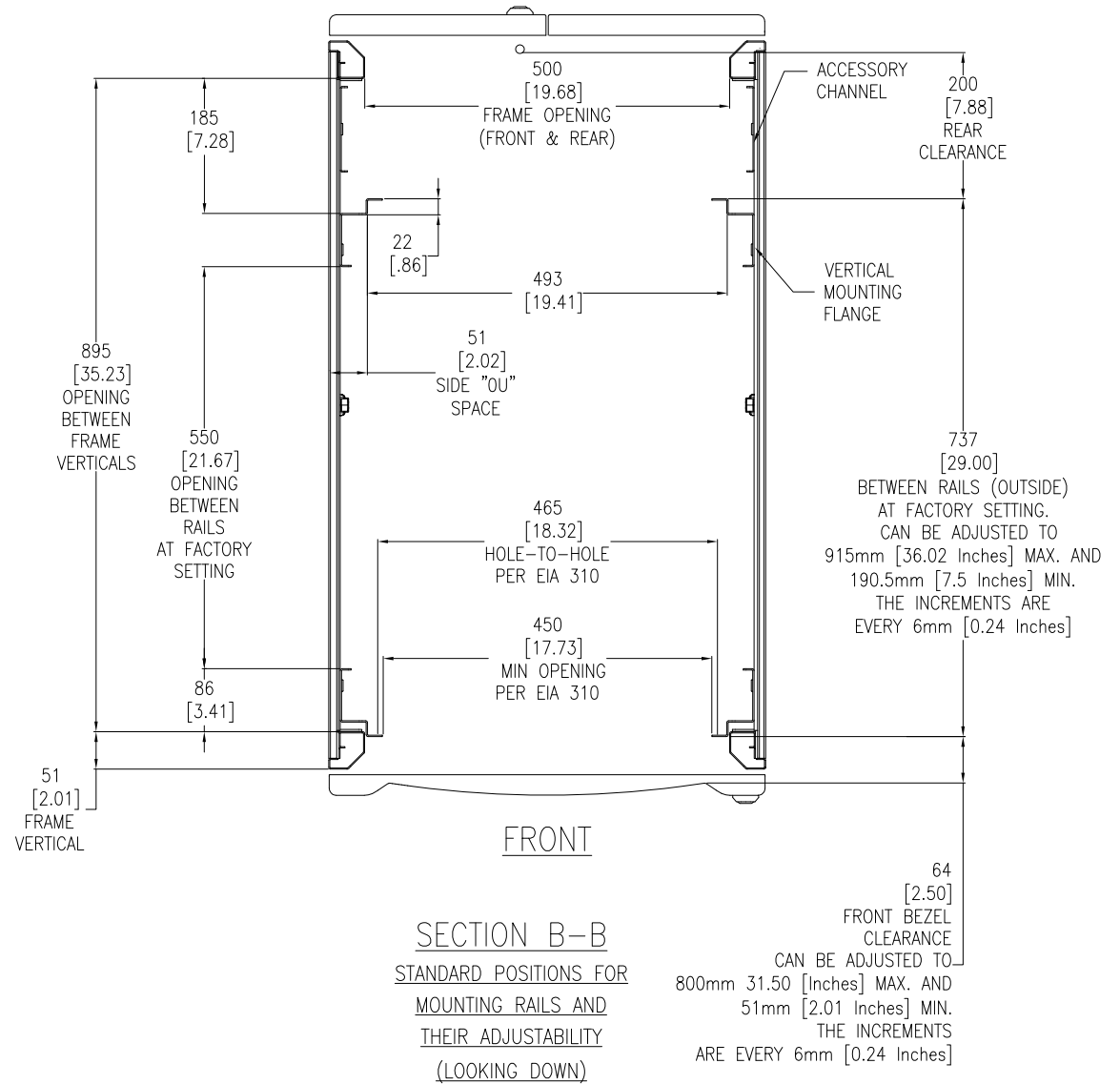
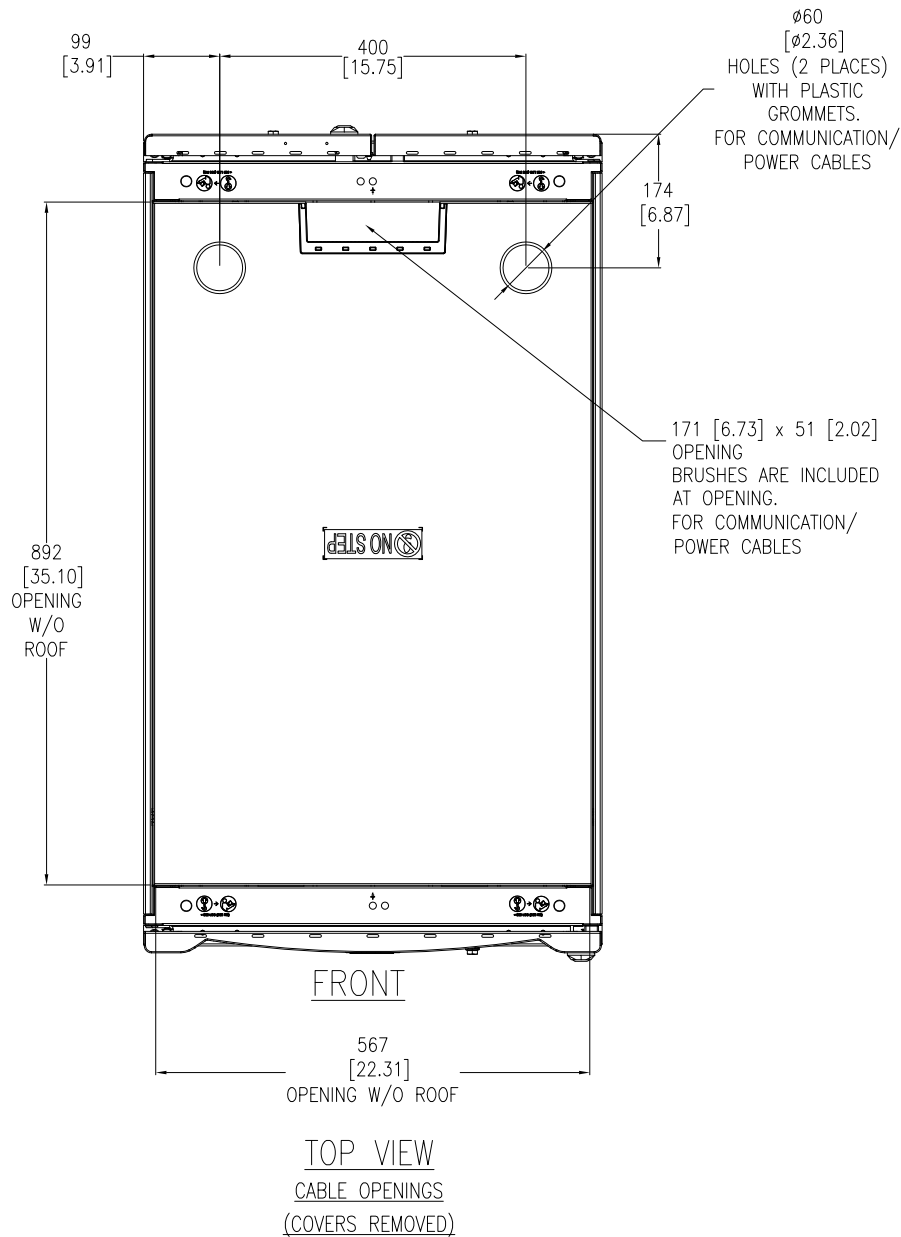
THIS DRAWING AND SPECIFICATIONS HEREIN ARE THE PROPERTY OF SCHNEIDER ELECTRIC AND SHALL NOT BE COPIED, REPRODUCED OR USED IN WHOLE OR IN PART, AS THE BASIS FOR THE MANUFACTURE OR SALE OF ITEMS WITHOUT WRITTEN PERMISSION FROM SCHNEIDER ELECTRIC. THIS DRAWING IS BASED UPON LATEST AVAILABLE INFORMATION AND IS SUBJECT TO CHANGE WITHOUT NOTICE.



TITLE: NetShelter SX 12U  
600mm WIDE x 1070mm DEEP SERVER RACK  
ENCLOSURE WITH SIDES-SHOCK PACKAGING  
GENERAL ARRANGEMENT

DWG NO: AR3103SP REV: 0  
DRAWN BY: JAYAPRAKASH 17-MAY-19 FIRST ANGLE  
ENGINEER: Jimxin REN 20-MAY-19 PROJECTION  
APPROVED BY: TBD 20-MAY-19

PROJECT: SUBMITTAL DRAWINGS SHEET 3 OF 5



- NOTES:
1. INSTALLATION SHALL COMPLY WITH ALL APPLICABLE NATIONAL, STATE AND LOCAL ELECTRICAL REGULATIONS.
  2. REFER TO PRODUCT DOCUMENTATION FOR ADDITIONAL DETAILS PRIOR TO INSTALLATION AND SITE PREPARATION WORK.
  3. ALL DIMENSIONS ARE IN MILLIMETERS [INCHES].

THIS DRAWING AND SPECIFICATIONS HEREIN ARE THE PROPERTY OF SCHNEIDER ELECTRIC AND SHALL NOT BE COPIED, REPRODUCED OR USED IN WHOLE OR IN PART, AS THE BASIS FOR THE MANUFACTURE OR SALE OF ITEMS WITHOUT WRITTEN PERMISSION FROM SCHNEIDER ELECTRIC. THIS DRAWING IS BASED UPON LATEST AVAILABLE INFORMATION AND IS SUBJECT TO CHANGE WITHOUT NOTICE.

**Schneider Electric**

TITLE: NetShelter SX 12U  
600mm WIDEX1070mm DEEP SERVER RACK  
ENCLOSURE WITH SIDES-SHOCK PACKAGING  
TOP VIEW & SECTION VIEW

PROJECT: SUBMITTAL DRAWINGS SHEET 4 OF 5

DWG NO: AR3103SP

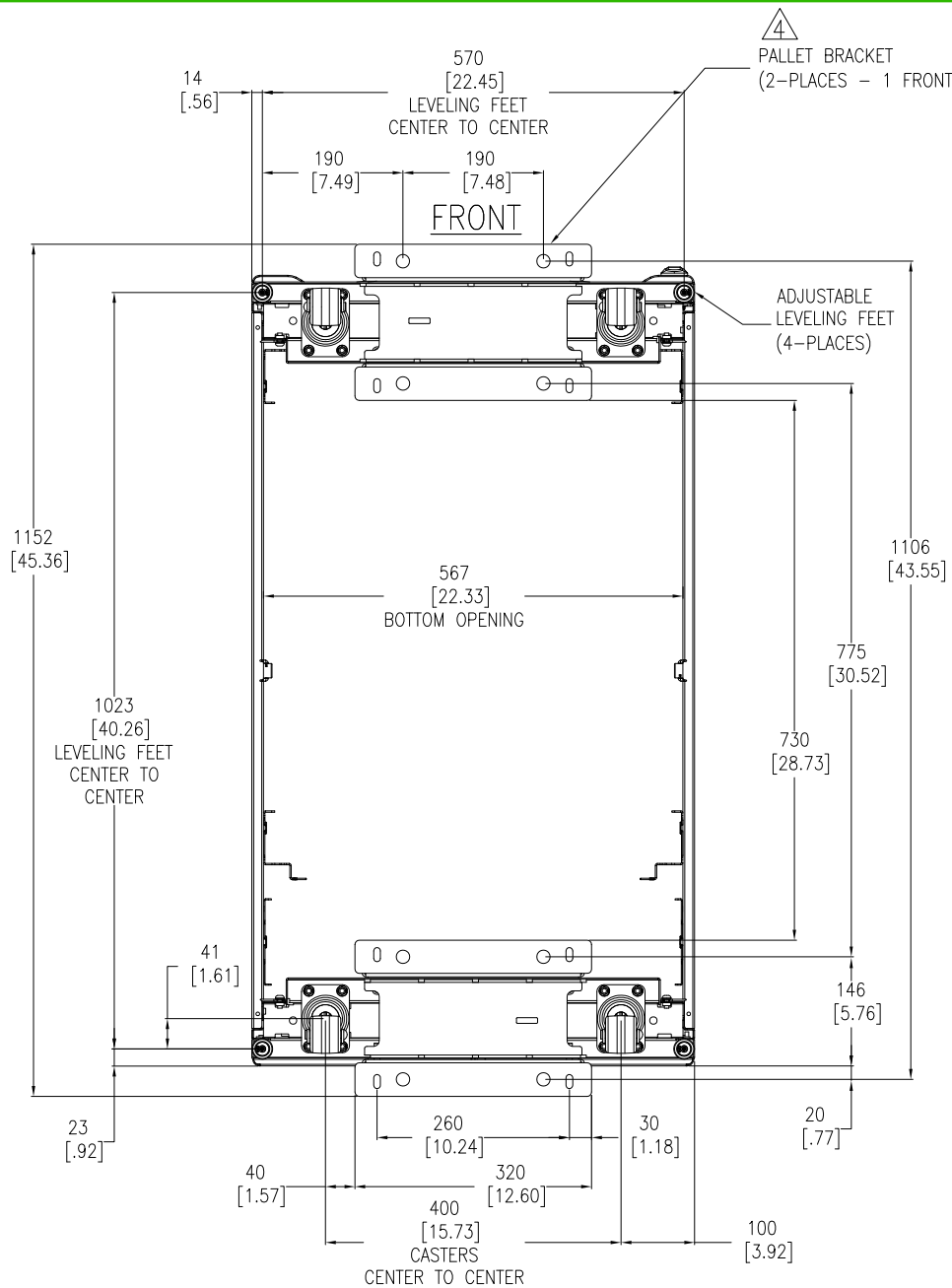
DRAWN BY: JAYAPRAKASH 17-MAY-19

ENGINEER: Jinxin REN 20-MAY-19

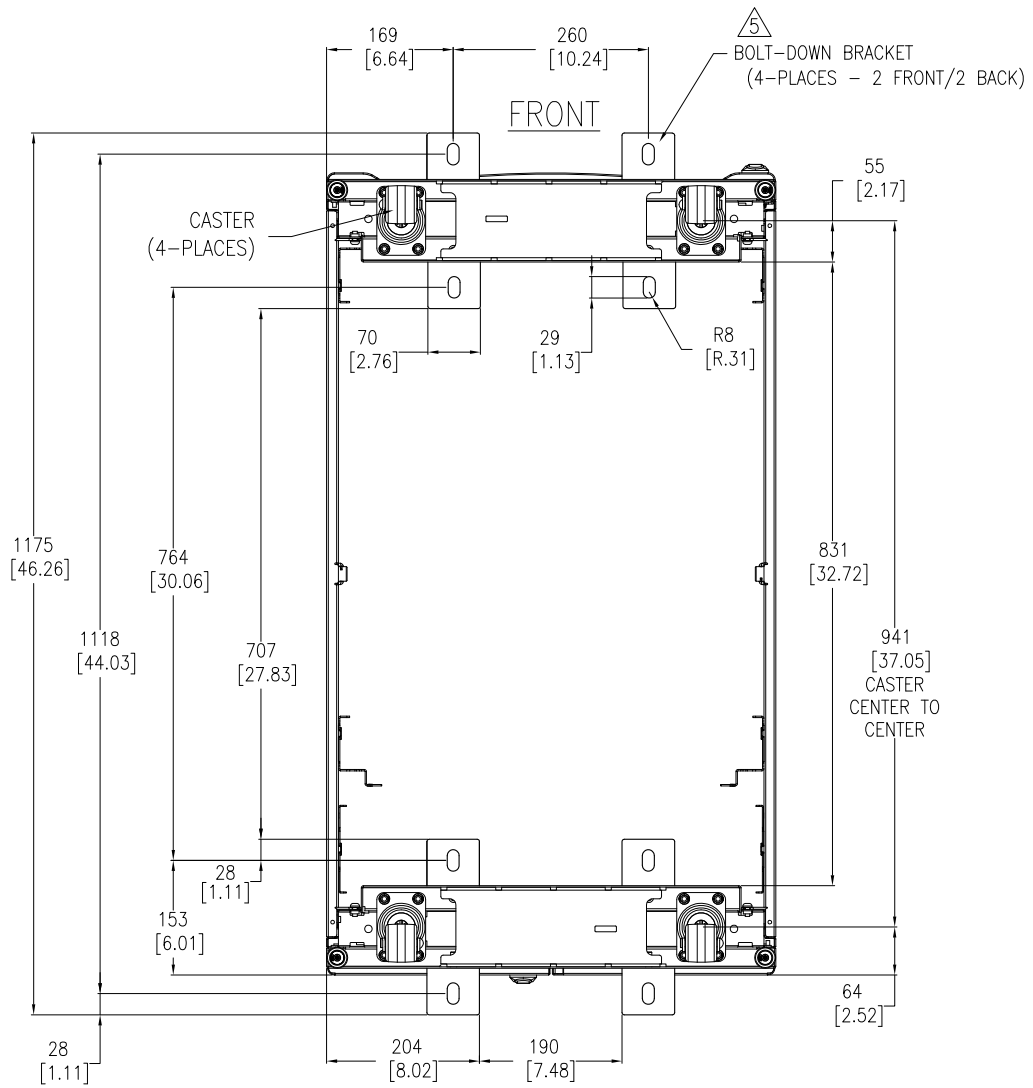
APPROVED BY: TBD 20-MAY-19

REV: 0

FIRST ANGLE PROJECTION



**BOTTOM VIEW – TOP ROOF NOT SHOWN  
(WITH PALLET BRACKETS, CAN BE USED FOR ANCHORING)**



**BOTTOM VIEW –TOP ROOF NOT SHOWN  
(WITH OPTIONAL BOLT-DOWN BRACKETS FOR ANCHORING)**

- NOTES:**
1. INSTALLATION SHALL COMPLY WITH ALL APPLICABLE NATIONAL, STATE AND LOCAL ELECTRICAL REGULATIONS.
  2. REFER TO PRODUCT DOCUMENTATION FOR ADDITIONAL DETAILS PRIOR TO INSTALLATION AND SITE PREPARATION WORK.
  3. ALL DIMENSIONS ARE IN MILLIMETERS [INCHES].
  - △4. ANCHORING CAN BE INSTALLED EITHER INSIDE OR OUTSIDE THE NetShelter WITH ONE AT FRONT AND ONE IN BACK.
  - △5. BOLT-DOWN KIT (SKU# AR7701) IS OPTIONAL AND HAS TO BE ORDERED SEPARATELY.

THIS DRAWING AND SPECIFICATIONS HEREIN ARE THE PROPERTY OF SCHNEIDER ELECTRIC AND SHALL NOT BE COPIED, REPRODUCED OR USED IN WHOLE OR IN PART, AS THE BASIS FOR THE MANUFACTURE OR SALE OF ITEMS WITHOUT WRITTEN PERMISSION FROM SCHNEIDER ELECTRIC. THIS DRAWING IS BASED UPON LATEST AVAILABLE INFORMATION AND IS SUBJECT TO CHANGE WITHOUT NOTICE.



TITLE: NetShelter SX 12U 600mm WIDE x 1070mm DEEP SERVER RACK ENCLOSURE WITH SIDES-SHOCK PACKAGING BOTTOM VIEWS & ANCHORING DETAILS	DWG NO: <b>AR3103SP</b>	REV: <b>0</b>
PROJECT: SUBMITTAL DRAWINGS SHEET 5 OF 5	DRAWN BY: JAYAPRAKASH	17-MAY-19
	ENGINEER: Jinxin REN	20-MAY-19
	APPROVED BY: TBD	20-MAY-19
		FIRST ANGLE PROJECTION